



cardo **BK-1**TM



User Manual

**USER
MANUAL**
version 1.0



© 2011 Cardo Systems, Inc.

The *Bluetooth*® word mark and logos are owned by the Bluetooth SIG, Inc. and any use of such marks by Cardo Systems, Inc. is under license. Other trademarks and trade names are those of their respective owners.

2 | cardo **BK-1**

CONTENTS

| | |
|---|-----------|
| 1. INTRODUCTION | 5 |
| 2. CHARGING THE CARDO BK-1 | 7 |
| 3. SOFTWARE UPGRADES | 7 |
| 4. GETTING STARTED | 8 |
| 4.1. MOUNTING THE CARDO BK-1 TO YOUR HELMET | 8 |
| 4.2. GENERAL FUNCTIONS | 8 |
| 4.3. STATUS LIGHTS | 9 |
| 4.4. AUDIO SOURCES AND PRIORITIES | 9 |
| 5. INTERCOM OPERATION: | 20 |
| 5.1. CONFIGURING THE INTERCOM | 20 |
| 5.1a. TWO-WAY INTERCOM | 21 |
| 5.1b. THREE-WAY INTERCOM | 22 |
| 5.2. USING THE INTERCOM | 23 |
| 5.2a. MAKING INTERCOM CALLS | 23 |
| 5.2b. RECEIVING INTERCOM CALLS | 23 |
| 5.2c. ENABLE/DISABLE VOX | 23 |
| 6. BLUETOOTH DEVICES: MOBILE PHONE, GPS OR MP3 (A2DP) DEVICE OPERATIONS | 24 |
| 6.1. MOBILE PHONE AND GPS DEVICE OPERATIONS | 24 |
| 6.1a. PAIRING A MOBILE PHONE | 24 |
| 6.1b. PAIRING A GPS DEVICE | 25 |
| 6.1c. MAKING AND RECEIVING PHONE CALLS | 25 |
| 6.2. MUSIC STREAMING (A2DP) | 26 |
| 6.2a. PAIRING AN A2DP MUSIC PLAYER | 26 |
| 6.2b. LISTENING TO MUSIC: A2DP <i>BLUETOOTH</i> AUDIO SOURCES | 26 |



| | |
|--|-----------|
| 6.3 CABLE-CONNECTED MP3 PLAYERS | 27 |
| 6.3a. CONNECTING YOUR MP3 PLAYER OR OTHER EXTERNAL AUDIO SOURCES | 27 |
| 6.3b. LISTENING TO MUSIC: MULTI-PORT | 27 |
| 7. CLICK-TO-LINK®: SPONTANEOUS INTERCOM | 27 |
| 7.1. ENABLE/DISABLE <i>CLICK-TO-LINK</i> | 27 |
| 7.2. USING <i>CLICK-TO-LINK</i> | 28 |
| 8. TROUBLESHOOTING CONNECTIONS | 28 |
| 9. SUPPORT | 28 |
| 10. NOTICES | 29 |

IMPORTANT:

This is version 1.0 of the User Manual. Please note, that our manual is periodically updated on the Cardo website to include the very latest features and functions of your new **cardo BK-1**.

Please visit www.cardosystems.com/download/manuals to check if the manual you are holding is the most updated version and to download the manual in your preferred language.

1. INTRODUCTION

Thank you for choosing the **cardo BK-1 Bluetooth** communication and entertainment system for bicycle helmets. This manual will help you set up, configure and operate both the **cardo BK-1** and the **cardo BK-1 DUO**. The retail box of the **cardo BK-1 DUO** contains two factory-paired **cardo BK-1** units.

With a wide range of connectivity options, the **cardo BK-1** is an immensely versatile communication and entertainment system, offering the most advanced technology and high-end features to enhance your riding experience. Key product highlights include:

INTERCOM

- 2 or 3 way Bike-to-Bike intercom conference mode at a range of up to 800 m / 2,600 ft.*
- *Click-to-Link*: For spontaneous intercom conversations with any **cardo BK-1** user nearby

MULTIPLE DEVICE CONNECTIVITY

- *Bluetooth* Mobile phone / GPS
- Wireless A2DP/ MP3 connectivity for stereo music (cable option also provided)

UPGRADEABLE SOFTWARE

- Users can download future enhancements /features

ADVANCED TECHNOLOGY

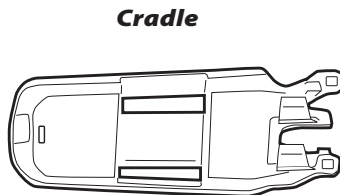
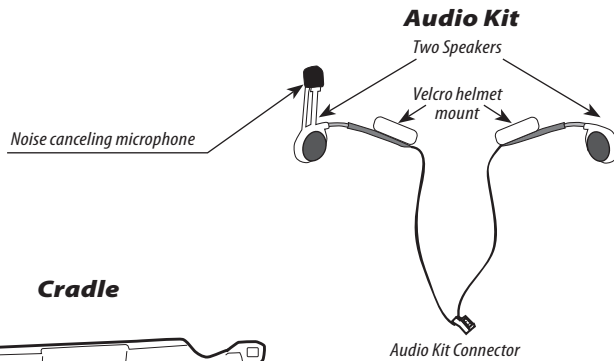
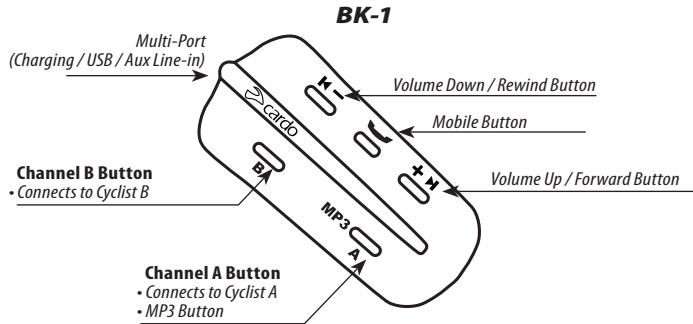
- VOX technology:
 - Make/Receive/Reject mobile calls by voice command
 - Make intercom calls by voice command
- Echo cancellation for increased audio clarity
- PLC software (Packet Loss Concealment) for real-time audio loss compensation in challenging environments
- DSP Digital Signal Processing Technology
- Volume Per Mode: Volume is set and saved at different levels for each audio function

We wish you a great **cardo BK-1** experience and encourage you to write us at support@cardosystems.com with any questions, suggestions or comments you may have.

* Maximum range is measured under ideal conditions. Actual range is subject to terrain, topographic conditions and other interferences.



CONTENTS OF RETAIL BOX



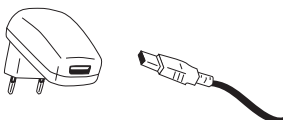
| | | | |
|--------------------|--|---------------------|--|
| Spoiler | | 4 Large Velcro pads | |
| Long strap | | 2 Small Velcro pads | |
| Short buckle strap | | MP3 cable | |
| Wall charger plug | | Microphone sponge | |
| USB adapter cable | | User Guide | |

IMPORTANT: If you purchased the **cardo BK-1 DUO**, your Retail Box will include two sets of each component listed above except for the User Guide.

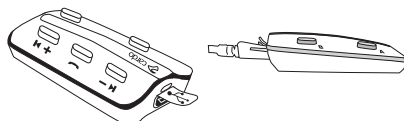
2. CHARGING THE CARDO BK-1

Make sure that your **cardo BK-1** unit is fully charged for at least three hours before initial use.

1. Open the silicone cover protecting the Multi-Port.
2. Insert the USB cable into the wall charger plug or a computer's USB port



3. Insert the other end of the USB cable to the Multi-Port of the **cardo BK-1**



4. While charging, the RED light turns on. When charging is complete, the RED light will turn off.

IMPORTANT:

The **cardo BK-1** has been certified as waterproof and dustproof (IP67) and is designed for use under moderate rain or snow conditions. However, **when in use, the silicon cover lid of the Multi-Port should be kept tightly closed** to prevent moisture from entering the unit.

3. SOFTWARE UPGRADES

To maximize the benefits offered by your **cardo BK-1**, make sure it is running the latest software. To download the latest software version visit www.cardoupgrades.com and get access to updated software and the ability to customize device settings from your PC.

Make sure to have your product serial number ready which can be found on the white sticker on the back of the unit.

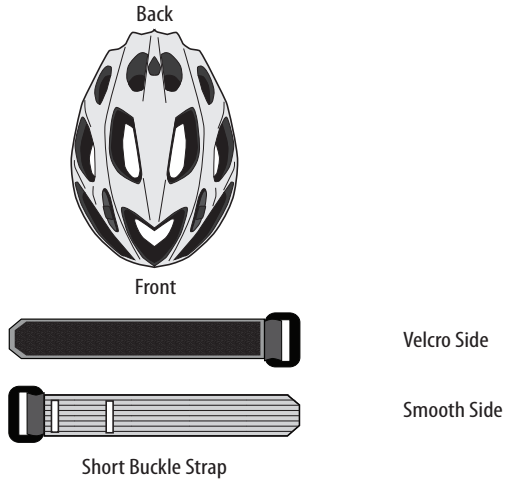
System Requirements: Windows® XP™, Windows Vista™, or Windows 7

4. GETTING STARTED

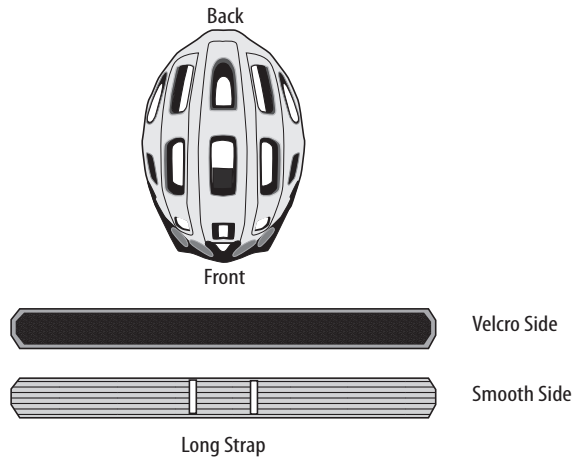
4.1 MOUNTING THE CARDO BK-1 ON YOUR HELMET

Assembly of the cardo BK-1

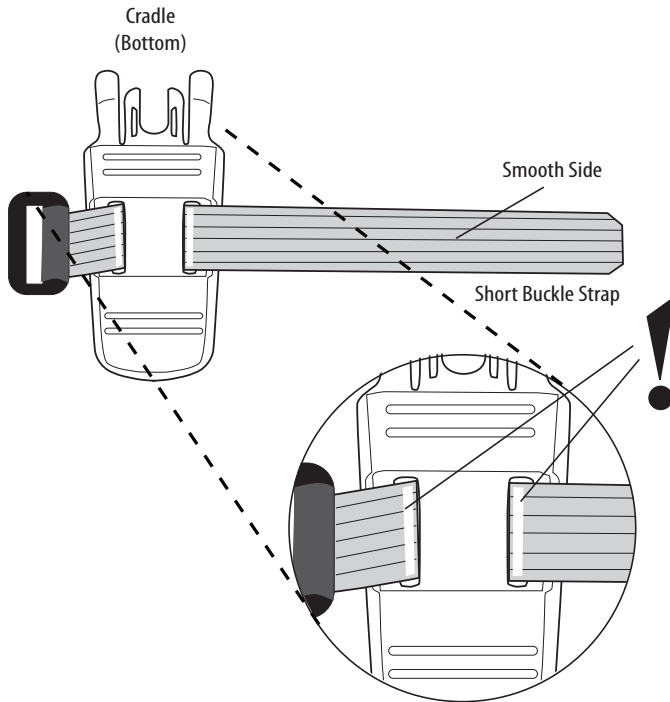
Helmet Type 1: Off-center vents



Helmet Type 2: Center vents

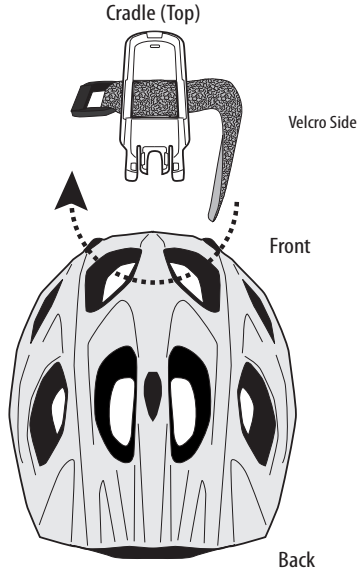


Helmet Type 1

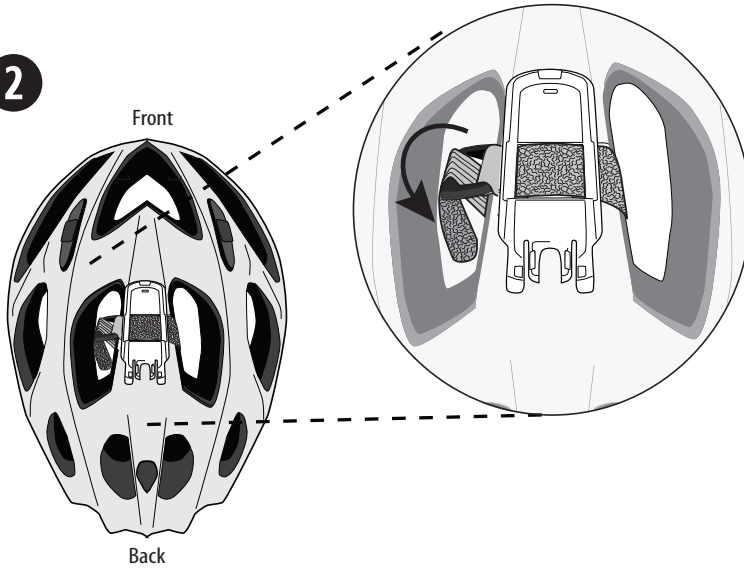




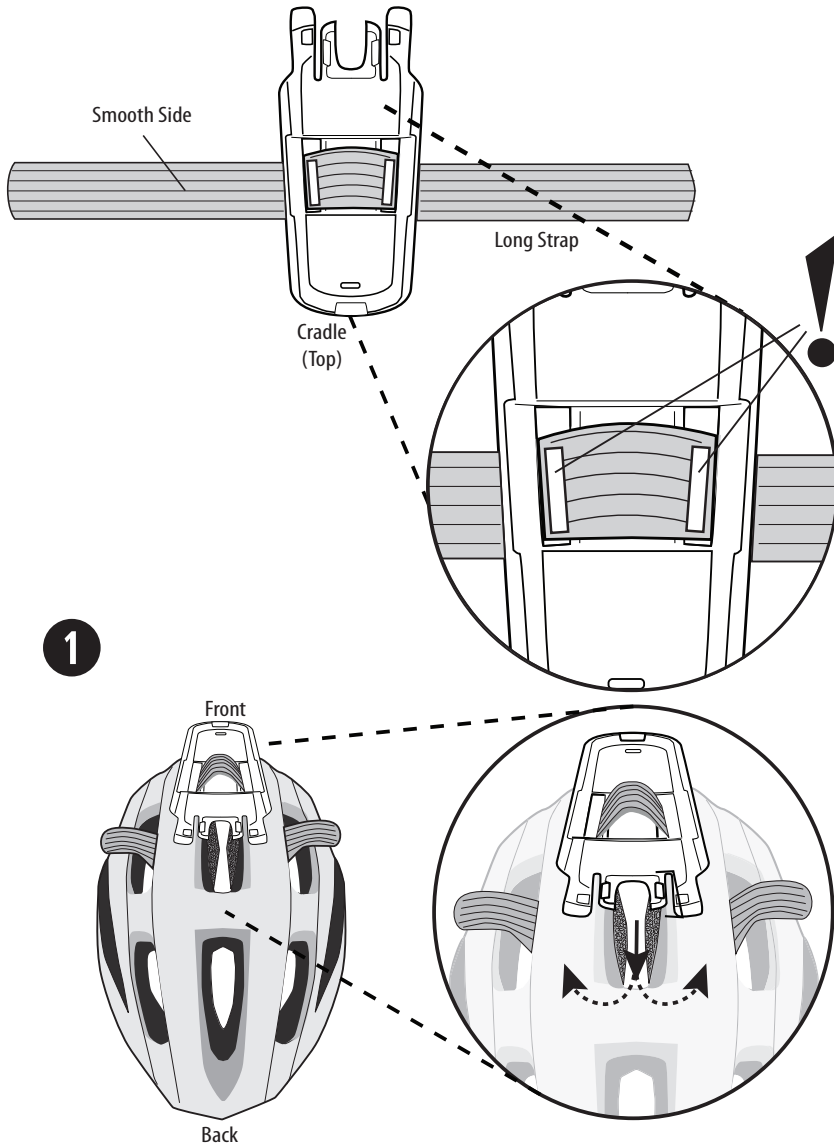
1

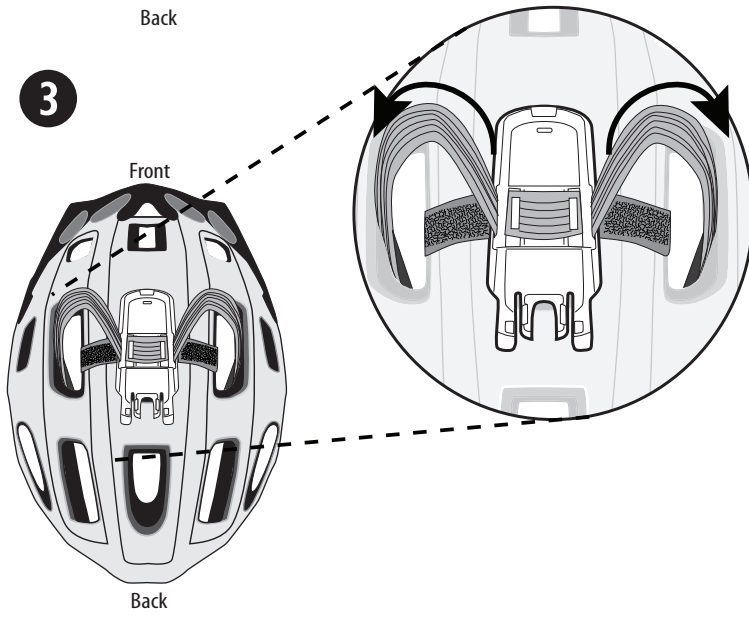
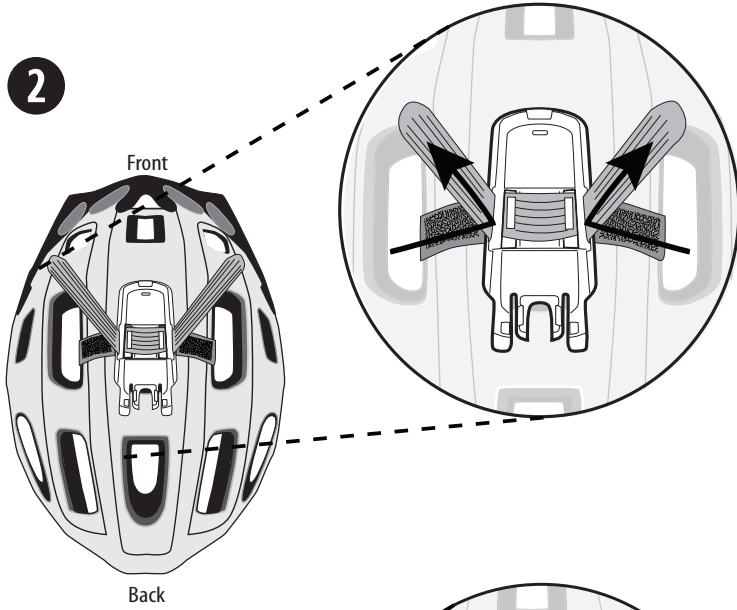


2

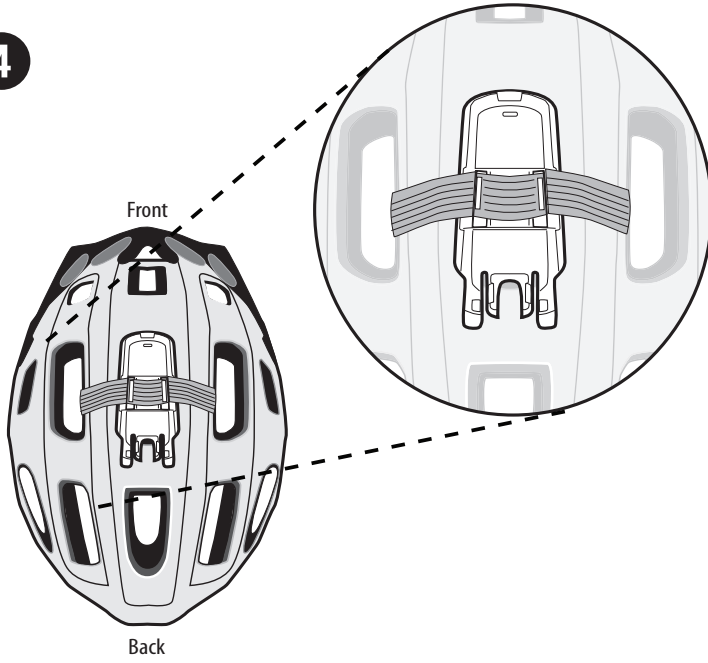


Helmet Type 2





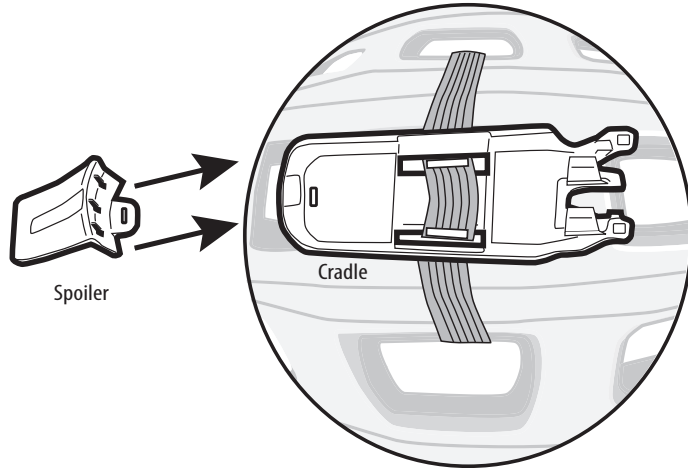
4



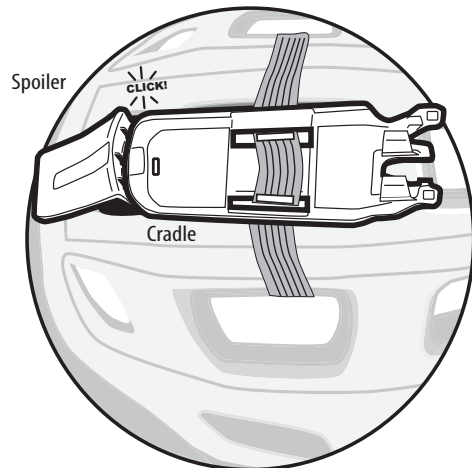
Optional Spoiler

Deflect branches or other objects

1

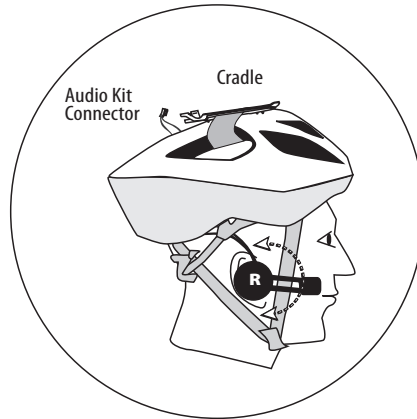


2

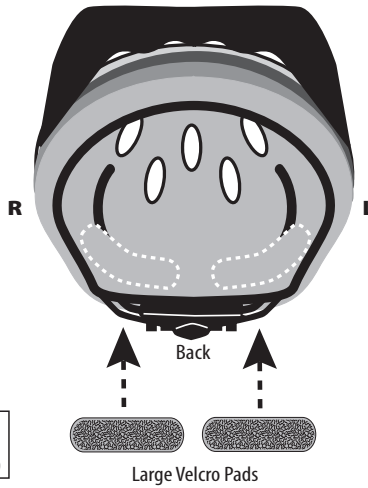


Position the Audio Kit

Preview: Final Audio Kit Position

**1**

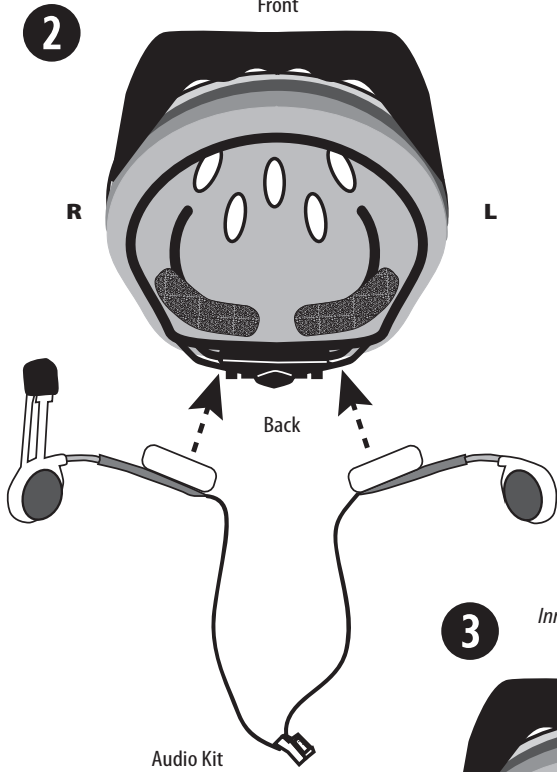
Inner helmet view
Front



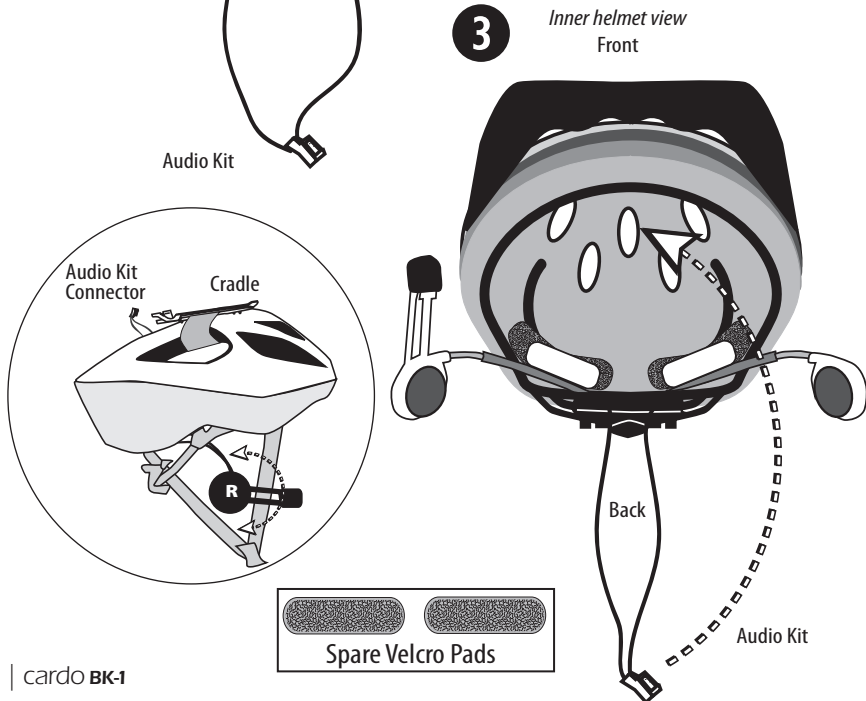
Wait TEN
minutes



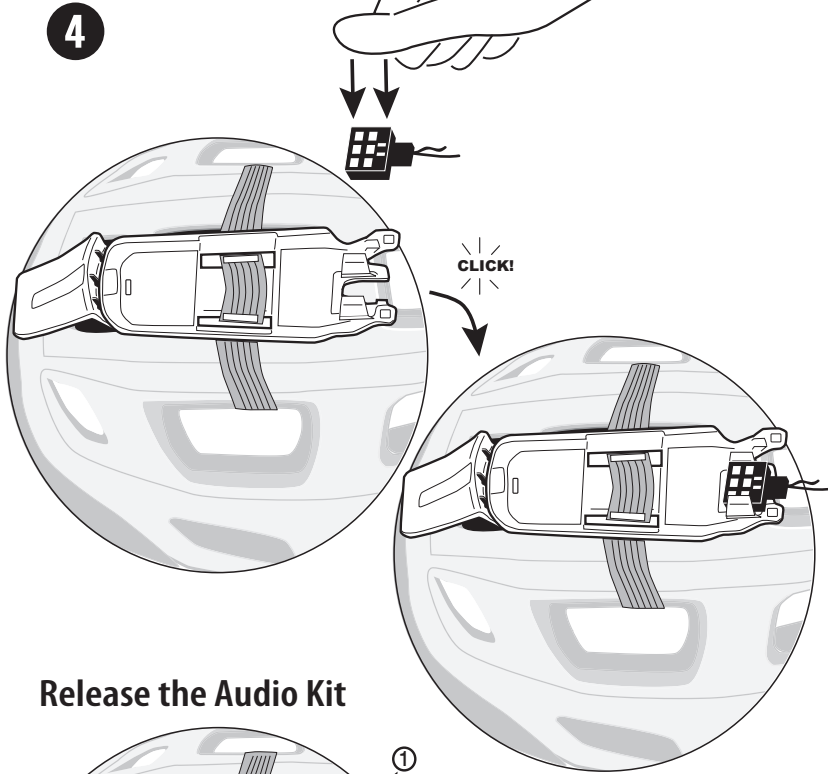
Inner helmet view
Front



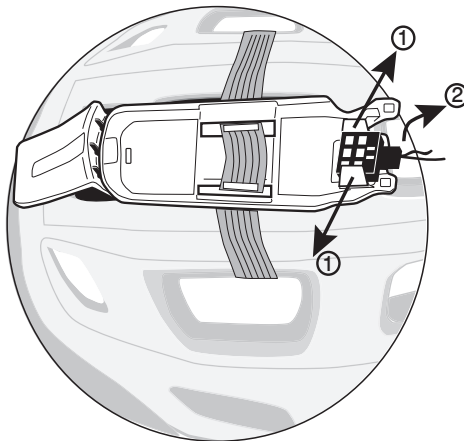
Inner helmet view
Front



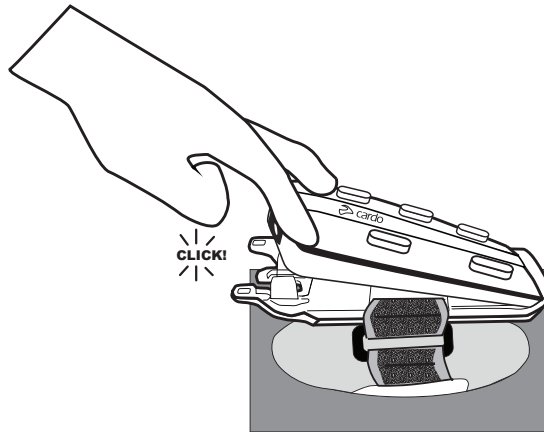
Connect the Audio Kit



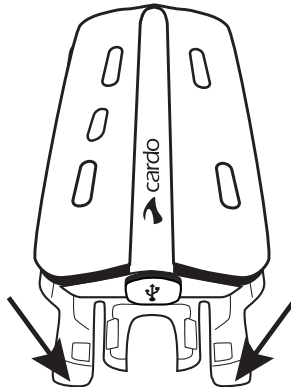
Release the Audio Kit



Attach the Headset



Release the Headset



4.2. GENERAL FUNCTIONS


| GENERAL FUNCTIONS | |
|---|---|
| Power ON | Press and hold the <i>Mobile</i> Button for 3 seconds <ul style="list-style-type: none"> • Light: 3 BLUE flashes • Sound: Ascending tone |
| Power OFF | Press and hold the <i>Mobile</i> Button for 3 seconds <ul style="list-style-type: none"> • Light: 3 RED flashes • Sound: Descending tone |
| Volume: Adjust and set volume of current audio source | Tap the <i>Volume Up</i> or <i>Volume Down</i> Button |
| Mute speakers | Tap <i>Volume Up</i> and <i>Volume Down</i> buttons simultaneously |
| Battery level indicator | Press and hold the <i>Volume Up</i> Button for 3 seconds Light: <ul style="list-style-type: none"> • Blue = Full charge • Purple = Half charge • Red = Almost empty |

4.3. STATUS LIGHTS

| LED Indication | Status |
|---------------------------------------|--|
| None | cardo BK-1 is OFF |
| 1 BLUE flash every 3 seconds | Standby mode No active audio sources |
| 2 BLUE flashes every 3 seconds | Active mode —Call in progress / music or other audio source is ON |
| 1 RED flash every 3 seconds | Standby mode —Battery is low |
| 2 RED flashes every 3 seconds | Active mode – Battery is low |
| Solid RED | Charging |

4.4. AUDIO SOURCES AND PRIORITIES

If two connected audio sources try to play audio simultaneously, the **cardo BK-1** automatically determines which audio source to play through the speakers based on the priority of the connected devices.

| | |
|--|---|
| Higher Priority  Lower Priority | <ol style="list-style-type: none"> 1. Mobile Phone audio or GPS instructions 2. Intercom/Click-to-Link (CTL) 3. A2DP (Stereo <i>Bluetooth</i>) audio 4. Multi-Port—(for corded connection i.e. Music Players) |
|--|---|



For example:

- Incoming **mobile phone calls** will interrupt ongoing **intercom calls**
- Incoming **intercom calls** will interrupt the **A2DP audio source**

Click-to-Link® calls and Intercom calls have the same priority:

A *Click-to-Link*® request cannot interrupt an Intercom call in progress, and vice-versa.

IC (Intercom) Busy Tone: If you are on a mobile call, *Click-to-Link* call, or receiving GPS instructions and Cyclist A or Cyclist B try to connect to you for an IC Call, you will both hear a busy tone (double beep).

5. INTERCOM OPERATION

5.1. CONFIGURING THE INTERCOM

The **cardo BK-1** Intercom allows Bicycle-to-Bicycle full duplex communication at a range of up to 800 m / 2,600 ft. (subject to terrain).

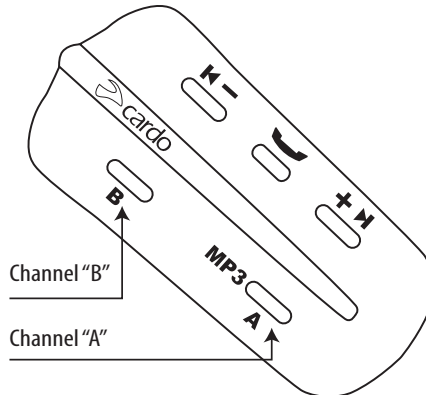
Pairing with another **cardo BK-1** unit

To chat with another **cardo BK-1** user via Intercom, first pair the **cardo BK-1** devices to each other. Pairing is a one-time process. Once paired, the **cardo BK-1** units will automatically recognize each other whenever they are within range.

NOTE:

The retail package of the "DUO" version contains two factory-paired units.

Intercom communication is possible between up to three users, i.e. you and two other **cardo BK-1** users through the two available pairing channels: **Channel "A"** and **Channel "B"**



The Channel "A" and Channel "B" buttons on your **cardo BK-1** are used to:

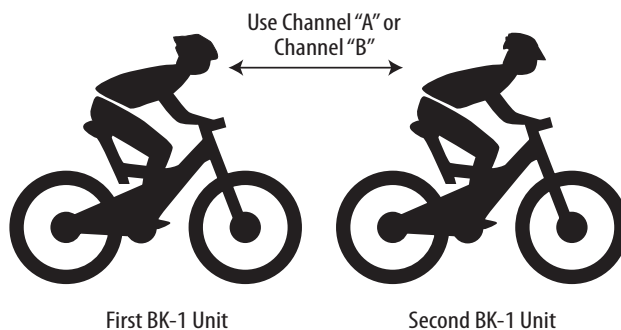
- Pair a **cardo BK-1** Intercom partner to the channel
- Connect to a **cardo BK-1** Intercom partner paired on this channel

INTERCOM PAIRING CHANNELS AND PAIRING LED INDICATIONS

| INTERCOM CHANNEL | PAIRING / CONNECTION BUTTON | PAIRING MODE LED INDICATORS |
|------------------|-----------------------------|-----------------------------|
| Channel "A" | Channel "A" BUTTON | Rapid RED flashing |
| Channel "B" | Channel "B" BUTTON | Rapid BLUE flashing |

5.1a. TWO-WAY INTERCOM

If you have purchased the **cardo BK-1 DUO**, both units are factory-paired and configured to communicate via their respective Channel "A" Buttons. If for any reason you have to pair them again, OR if you purchased a single **cardo BK-1** and wish to pair with a second unit to make Intercom calls, proceed as follows:



BASIC INTERCOM PAIRING:

1. Check that both **BK-1** devices are turned ON and in Standby mode. (single BLUE flash every 3 seconds)
2. Choose an available channel to pair the first **BK-1** (**Channel "A"** or **Channel "B"**).

NOTE: Selecting a Channel that is already in use will override the existing paired **cardo BK-1** on that Channel with the newly paired **cardo BK-1**.

3. Press and hold the chosen Channel Button ("A" or "B") on the first **BK-1** for at least 6 seconds until the BLUE or RED Light begins flashing rapidly, indicating it is in Intercom Pairing mode (See Table in section 5.1).
4. Immediately repeat Step 2-3 for the second **cardo BK-1**. Both units will now be in Intercom Pairing mode.
5. After a few seconds, both **cardo BK-1** devices will show a solid light for 2 seconds, indicating that they are now paired, connected and ready to use.

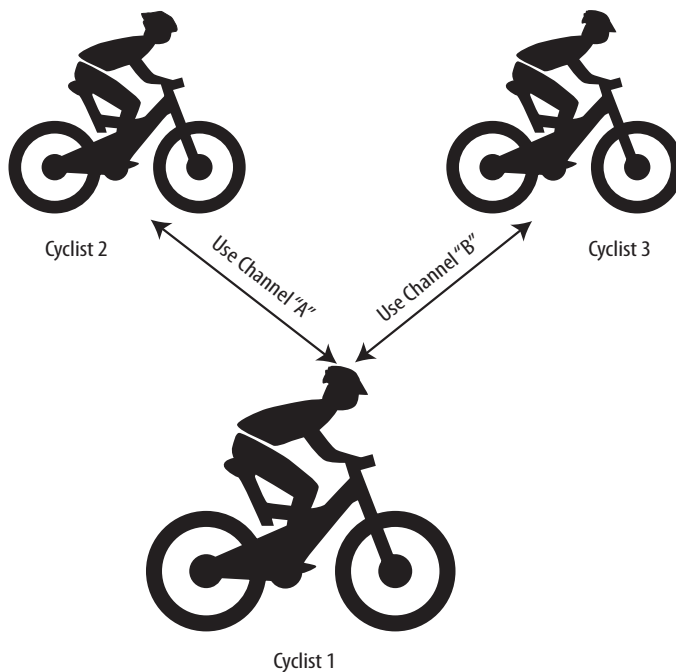
NOTE: If Pairing is not completed within two minutes, the **cardo BK-1** will return to Standby mode.



5.1b. THREE-WAY INTERCOM

If you have purchased the **cardo BK-1 DUO**, both units are factory-paired and configured to communicate via their respective Channel "A" Buttons. To pair a third **cardo BK-1** use Channel "B".

To set up three-way intercom conference mode proceed as follows:



In this configuration Cyclist "1" is paired to Cyclist "2" and also to Cyclist "3".

PAIRING THREE CARDO BK-1 UNITS

1. Cyclist 1 pairs their device to Cyclist 2 using Channel "A" as described in section 5.1.1. (BASIC INTERCOM PAIRING)
2. Now Cyclist 1 pairs their device to Cyclist 3 using Channel "B" as described in section 5.1.1. (BASIC INTERCOM PAIRING)

The Three-Way Conference Intercom Pairing is now complete and ready to use.

IMPORTANT: Three-Way Conference Mode Considerations

When in Intercom Conference mode with 2 other participants, you will not be able to receive mobile phone calls or GPS navigation instructions as long as the conference call is in progress.

5.2. USING THE INTERCOM

5.2a. MAKING INTERCOM CALLS

There are two ways to start an intercom call with devices that are paired to your **cardo BK-1**.

| MAKING INTERCOM CALLS | |
|---|--|
| Option 1: VOICE CONNECT (VOX) | Option 2: ALWAYS ON MODE |
| <p>1. Start Intercom call with Channel "A" and "B" Speak loudly into the microphone (Intercom Call ends automatically after 30 seconds of silence)</p> | <p>1. Add/Remove Channel "A": Tap the Channel "A" Button</p> <p>2. Add or Remove Channel "B": Tap the Channel "B" Button . (To end Intercom Call press Channel "A" or "B" Button)</p> |

Busy Signal

When attempting to establish an Intercom call with another device that is already on a Phone/GPS/Intercom call, two busy signals will be heard.

5.2b. RECEIVING INTERCOM CALLS

If another paired **cardo BK-1** tries calling you via Intercom, the call will begin almost instantly.

5.2c. ENABLE/DISABLE VOX

| ENABLE/DISABLE VOX |
|--|
| <p>Press and hold the <i>Volume Up</i> Button and <i>Volume Down</i> Button simultaneously for 4 seconds</p> <p>Feedback:</p> <ul style="list-style-type: none"> • Enable: BLUE flash for 2 seconds • Disable: RED flash for 2 seconds |

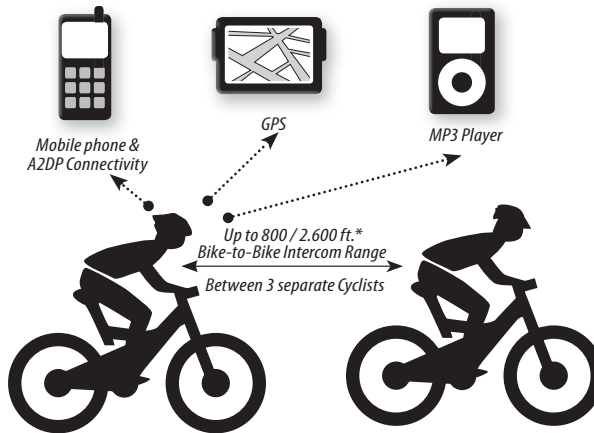
6. BLUETOOTH DEVICES: MOBILE PHONE, GPS OR MP3 (A2DP) DEVICE OPERATIONS

Pairing the cardo BK-1 to a Bluetooth enabled device

To connect a *Bluetooth* device you must first pair it to the **cardo BK-1**. Pairing is a one-time process. Once paired, the *Bluetooth* device and the **cardo BK-1** will automatically recognize each other whenever they are within range (10m / 33ft).

Your cardo BK-1 offers Multiple Device Connectivity (“MDC”) including:

- Intercom with up to two other **cardo BK-1** units
- Mobile Phone / GPS
- A2DP Music Player



NOTE: If using both a *Bluetooth* GPS and Mobile Phone, pair the mobile phone to the GPS device. See Section 6.1.2

* Maximum range is measured under ideal conditions. Actual range is subject to terrain, topographic conditions and other interferences.

6.1. MOBILE PHONE AND GPS DEVICE OPERATIONS



6.1a. PAIRING A MOBILE PHONE

- Make and receive calls
- Listen to Stereo Music via A2DP (with compatible phones)

1. Turn on your mobile phone and make sure the *Bluetooth* function is activated.
2. Verify that the **cardo BK-1** is turned ON and in Standby mode. (single BLUE flash every 3 seconds)
3. Press and hold the Mobile Button for at least 6 seconds, until the RED and BLUE lights begin rapidly alternating.

4. Search for *Bluetooth* devices on your phone by following the phone's instructions. Consult your phone's User Manual for more information.
5. After a few seconds the phone will list "**cardo BK-1**" as a discovered device. Select "**cardo BK-1**" from the list.
6. If prompted for a PIN or Passkey, enter 0000 (four zeros).
7. The phone will confirm that pairing has succeeded and the **cardo BK-1** will begin flashing slowly in BLUE.

NOTE:

- If Pairing is not completed within 2 minutes, the **cardo BK-1** will return to Standby mode.
- Not all *Bluetooth* mobile phones can broadcast *Bluetooth* Stereo music (A2DP), even if the phone has an MP3 player function. Consult your mobile phone's User Manual for more information.
- After pairing, you may need to tap the Mobile Button to connect the **cardo BK-1** to the phone.


6.1b. PAIRING A GPS DEVICE

- Receive GPS navigation instructions

NOTE: Not all *Bluetooth* GPS devices allow connections to *Bluetooth* audio devices. Please consult your GPS User Manual for more information. If Pairing is not completed within 2 minutes, the **cardo BK-1** will return to Standby mode.

1. Turn on your GPS.
2. Verify that the **cardo BK-1** is turned ON and in Standby mode (single BLUE flash every 3 seconds).
3. Press and hold the *Volume Up* Button for at least 6 seconds, until the RED light begins flashing rapidly.
4. Search for *Bluetooth* device on the GPS device by following the instructions in the GPS User Manual.
5. Once your GPS lists the "**cardo BK-1**" as a discovered device, select it.
6. If prompted for a PIN or Passkey, enter 0000 (four zeros).
7. Your GPS device will confirm that pairing has succeeded and the **cardo BK-1** will begin flashing slowly in BLUE.

IMPORTANT: If you wish to use a mobile phone with the **cardo BK-1**, pair the mobile phone directly to the GPS device.

6.1c. MAKING AND RECEIVING PHONE CALLS

| BASIC FUNCTIONS | |
|--|---|
| Answer a call | Tap the Mobile Button or speak any word loudly to answer by VOX |
| Reject a call | Remain silent for 15 seconds, or press and hold the Mobile Button for 3 seconds |
| End a call | Tap the Mobile Button |
| Voice Dial* (if supported by mobile phone) | Tap the Mobile Button and follow the prompt from the mobile |
| Redial* | Tap the Mobile Button twice |



| | |
|--|--|
| Reconnect | Tap the Mobile Button |
| INTERCOM CONFERENCE MODE | |
| Add/Remove Channel "A" to/from a call | Tap the Channel "A" button while on a phone call |
| Add/Remove Channel "B" to/from a call | Tap the Channel "B" button while on a phone call |

*This feature is not available during intercom or mobile calls

6.2. MUSIC STREAMING (A2DP)



6.2a. PAIRING TO AN A2DP MUSIC PLAYER

- Listen to Stereo Music via *A2DP* (non-mobile phone device)

NOTE: The **cardo BK-1** can also receive audio via the enclosed cable from non-*Bluetooth* MP3 Players or audio sources as described in section 6.3.

1. Turn on the Music Player and make sure that *Bluetooth* function is activated.
2. Verify that your **cardo BK-1** is turned ON and in Standby mode (single BLUE flash every 3 seconds).
3. Press and hold the *Mobile Button* for at least 6 seconds, until the RED and BLUE lights begin rapidly alternating.
4. Search for *Bluetooth* device on the Music Player by following the device's instructions.
5. Once your Music Player lists the "**cardo BK-1**" as a discovered device, select it.
6. If prompted for a PIN or Passkey, enter 0000 (four zeros).
7. The Music Player may confirm that pairing has succeeded, and the **cardo BK-1** will begin flashing slowly in BLUE.

NOTE: If Pairing is not completed within two minutes, the **cardo BK-1** will return to Standby mode.

6.2b. LISTENING TO MUSIC: A2DP *BLUETOOTH* AUDIO SOURCES

| BASIC FUNCTIONS Available only on AVRCP compatible <i>Bluetooth</i> audio sources | |
|--|--|
| Play | Press and hold the <i>MP3</i> Button for 3 seconds |
| Pause/Stop | Press and hold the <i>MP3</i> Button for 3 seconds |
| Forward | Press and hold the <i>Volume Up</i> Button for 3 seconds |
| Rewind | Press and hold the <i>Volume Down</i> Button for 3 seconds |

SWITCHING BETWEEN A2DP AUDIO SOURCES

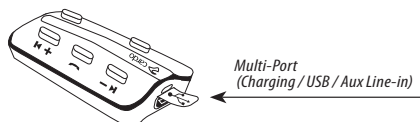
If a Music Player is paired, the **cardo BK-1** will use it as the default A2DP audio source.

1. Stop the music playback from the current device.
2. Start music playback from the other device.

6.3. CABLE-CONNECTED MP3 PLAYERS

6.3a. CONNECTING YOUR MP3 PLAYER OR OTHER EXTERNAL AUDIO SOURCES

The **Multi-Port** may be used to connect a non-*Bluetooth* audio source with a 3.5 mm— $\frac{1}{8}$ " stereo jack using the enclosed cable.



1. Verify that the **cardo BK-1** is turned ON and in Standby mode. (Single BLUE flash every 3 seconds)
2. Connect the MP3 cable to the Music Player's jack and insert the other end of the cable into the Multi-Port.

6.3b. LISTENING TO MUSIC: MULTI-PORT

To listen to music from a cable-connected device, operate the Music Player using its buttons as usual (FF/REW/ PLAY/PAUSE).

NOTE: While listening to audio from the Multi-Port, the VOX feature is disabled.

7. CLICK-TO-LINK®: SPONTANEOUS INTERCOM

What is *Click-to-Link*?

Click-to-Link is the spontaneous, "social" feature of your **cardo BK-1**.

Use *Click-to-Link* to instantly initiate 1-on-1 intercom calls with other **cardo BK-1** users near you, without those users already being paired as your Channel "A" or Channel "B".

Think of it as a private Bicycle-to-Bicycle channel that you can set up on-the-go with other **cardo BK-1** users that you spot along your ride.

7.1 ENABLE/DISABLE *CLICK-TO-LINK*

With the **cardo BK-1** in Standby Mode, press and hold the *Volume Down* button for 6 seconds.

Red Flash: DISABLED

Blue Flash: ENABLED

NOTE: By default, *Click-to-Link* is DISABLED.



7.2. USING CLICK-TO-LINK

| USING <i>Click-to-Link</i> ® | | |
|--|---|--|
| | If you want to . . . | Perform this action: |
| Make <i>Click-to-Link</i> calls | Start a <i>Click-to-Link</i> call request (search lasts up to 10 seconds) | Double tap the Channel "A" Button |
| | End a <i>Click-to-Link</i> call / Cancel a <i>Click-to-Link</i> call request | Tap the Channel "A" Button |
| Receive <i>Click-to-Link</i> calls | Accept a <i>Click-to-Link</i> call | When hearing the <i>Click-to-Link</i> ringtone: Tap the Channel "A" Button or speak loudly to answer by VOX |
| | Reject a <i>Click-to-Link</i> call | While hearing the <i>Click-to-Link</i> ringtone: Remain silent for 10 seconds or until the ring tone subsides |

At the end of a *Click-to-Link* call, if other **cardo BK-1** users are nearby, the next *Click-to-Link* call you attempt may connect with a user other than your initial connection.

8. TROUBLESHOOTING CONNECTIONS

RESET PAIRING

To delete all of your paired devices:

1. Verify that the **cardo BK-1** is turned ON and in Standby mode. (single BLUE flash every 3 seconds)
2. Press and hold the *Mobile* Button for at least 6 seconds, until the RED and BLUE lights begin rapidly alternating.
3. Press and hold the *Volume Up* Button for 3 seconds.
4. The PURPLE light will flash 5 times and then the **cardo BK-1** will turn OFF, indicating that the Reset was successfully completed.

9. SUPPORT

For additional information please visit our website at www.cardosystems.com

FAQ: www.cardosystems.com/support/faq or contact us at: support@cardosystems.com

Phone: **USA and Canada:** 1-800-488-0363 **International:** +4989 450 36819

IMPORTANT

MULTINATIONAL ELECTRONIC COMMERCE COMPANIES AND ONLINE AUCTION WEBSITES ARE NOT AUTHORIZED TO SELL CARDO PRODUCTS AND PURCHASES FROM SUCH SITES ARE AT YOUR OWN RISK. TO RECEIVE WARRANTY OR CUSTOMER SERVICE, YOU MUST SUBMIT ORIGINAL RECEIPTS FROM AUTHORIZED CARDO DEALERS.

PRODUCTS THAT WERE IMPORTED FROM NORTH AMERICA MUST ALSO BE SERVICED IN THE USA.

10. NOTICES

Federal Communications Commission (FCC) / Industry Canada (IC) Statement

15.21

You are cautioned that changes or modifications not expressly approved by the part responsible for compliance could void the user's authority to operate the equipment.

15.105(b)

This equipment has been tested and found to comply with the limits for a Class B digital device, pursuant to part 15 of the FCC / IC rules. These limits are designed to provide reasonable protection against harmful interference in a residential installation. This equipment generates, uses and can radiate radio frequency energy and, if not installed and used in accordance with the instructions, may cause harmful interference to radio communications. However, there is no guarantee that interference will not occur in a particular installation. If this equipment does cause harmful interference to radio or television reception, which can be determined by turning the equipment off and on, the user is encouraged to try to correct the interference by one or more of the following measures:

- Reorient or relocate the receiving antenna.
- Increase the separation between the equipment and receiver.
- Connect the equipment into an outlet on a circuit different from that to which the receiver is connected.
- Consult the dealer or an experienced radio/TV technician for help.

Operation is subject to the following two conditions:

- 1) this device may not cause interference and
- 2) this device must accept any interference, including interference that may cause undesired operation of the device.

FCC RF Radiation Exposure Statement:

This equipment complies with FCC/IC radiation exposure limits set forth for an uncontrolled environment. End users must follow the specific operating instructions for satisfying RF exposure compliance. The antenna used for this transmitter must not transmit simultaneously with any other antenna or transmitter, except in accordance with FCC/IC multi-transmitter product procedures.

Industry Canada (IC)

This device complies with Industry Canada licence-exempt RSS standard(s). Operation is subject to the following two conditions:

- 1) this device may not cause interference and
- 2) this device must accept any interference, including interference that may cause undesired operation of the device.

IC RF Radiation Exposure Statement:

This equipment complies with the RSS-102 exemption from routine RF exposure evaluation for use in an uncontrolled environment.

Industrie Canada (IC)

Cet appareil est conforme avec Industrie Canada RSS standard exempts de licence(s). Son utilisation est soumise aux deux conditions suivantes:

- (1) cet appareil ne peut pas provoquer d'interférences et
- (2) cet appareil doit accepter toute interférence, y compris les interférences qui peuvent provoquer un fonctionnement indésirable du dispositif.

Déclaration d'exposition aux radiations:

Cet équipement est conforme avec le RSS-102 exemption d'exposition aux rayonnements IC établies pour un environnement non contrôlé.

Declaration of Conformity (DOC)

The cardo BK-1 is compliant with and adopts the *Bluetooth*® Specification 2.1 and has successfully passed all interoperability tests that are specified in the *Bluetooth*® specification. However, interoperability between the device and other *Bluetooth*®-enabled products is not guaranteed.

IMPORTANT SAFETY AND WARRANTY INFORMATION – WAIVER AND GENERAL RELEASE

WARNING:

Cardo Systems Inc., (“Cardo” or the “Company”) notifies you that your complete and undivided attention is required when using a communication device (the “Product”) while riding. Failure to avoid potentially hazardous situations could result in accident resulting in serious injury or death.

Cardo advises you to take all necessary precautions and remain alert to the traffic, weather and all road conditions. It is best to stop away from traffic prior to activating or deactivating the Product or initiating or receiving any calls.

Do not perform pairing, linking or similar operations while riding. All publications are intended to address technical capabilities and should not be construed as encouraging the operation of Cardo's Products in any manner that is unsafe or prohibited by law.

Exercise all due caution while using this Product and obey all applicable traffic laws. Always ride and use the Product in a safe manner. Do not become distracted by the Product while riding on a vehicle. When riding, always consider road, traffic, terrain and other conditions to maximize safety. Do not operate the Product if it becomes unsafe to do so.

In some regions or states, the use of mobile communications systems is prohibited or restricted. Check all laws and regulations that apply to your region before using the Product and be mindful that compliance with all laws and regulations is the user's responsibility. Use the Product in motion only where and in the manner that such devices are permitted by applicable law. The Product should not be used in contravention of local, state or federal laws and regulations. Please check federal, state and local laws and regulations before using your Cardo Product.



No part of the body should come in contact with the antenna during operation of the equipment. Use Product only where safe, and avoid usage at gas stations, fuel depots or around explosives. Use with hearing aids and medical devices only after consulting a physician or specialist. Make sure to install and mount the Product in a stable manner.

HEALTH WARNINGS:

Hearing Loss

Audio devices can cause hearing loss. Employ care and avoid exposure to excessive volume levels that may damage or impair hearing or lead to hearing loss. Permanent hearing loss may occur if Products are used at high volume for prolonged periods of time.

RF Signals

Most electronic equipment is shielded from RF signals. However, certain electronic equipment may not be shielded against the RF signals emanating from your wireless equipment.

Pacemakers

The Health Industry Manufacturers Association recommends that a minimum separation of about six inches (or 16 cm) to be maintained between a mobile phone or wireless device and a pacemaker to avoid potential interference with the pacemaker. Be sure not to interfere with the functionality of personal medical devices.

Hearing Aids

Some devices may interfere with certain hearing aids. In the event of such interference, you should consult your hearing aid manufacturer to discuss alternatives.

Other Medical Devices

If you use any other personal medical device, consult the manufacturer of your device and/or your physician to determine if it is adequately shielded from interference caused by external RF energy. Your physician may be able to assist you in obtaining this information.

LIMITED WARRANTY

Subject to the applicable laws and regulations in your jurisdiction, your Product is covered by a One-Year Limited product warranty from the date of original purchase. Please retain the retail sales receipt and your registration data for proof of purchase.

Subject to the aforementioned, Cardo hereby represents that this Product is warranted to be free from defects in materials or workmanship (proof of purchase and registration required). Within the subject period, Cardo will, at its sole option, repair or replace any components that fail in normal use. Such repairs or replacements will be made at no charge to the customer for parts or labor, provided that the customer shall be responsible for any shipping cost. This warranty does not cover failures due to abuse, misuse, accident or unauthorized alteration or repairs.

This Product is intended to be used only as a communication and entertainment device and should not be used in any location or jurisdiction where its use is prohibited.

THE WARRANTIES AND REMEDIES CONTAINED HEREIN ARE EXCLUSIVE AND IN LIEU OF ALL OTHER WARRANTIES EXPRESS, IMPLIED OR STATUTORY, INCLUDING ANY LIABILITY ARISING UNDER ANY WARRANTY OF MERCHANTABILITY OR FITNESS FOR A PARTICULAR PURPOSE, STATUTORY OR OTHERWISE THAT CARDO SPECIFICALLY DISCLAIMS. THIS WARRANTY GIVES YOU SPECIFIC LEGAL RIGHTS WHICH MAY VARY FROM STATE TO STATE OR FROM JURISDICTION TO JURISDICTION. CARDO MAKES NO OTHER WARRANTIES EXPRESS OR IMPLIED BEYOND THOSE STATED SPECIFICALLY HEREIN. THIS WARRANTY IS EXTENDED BY CARDO SOLELY TO THE ORIGINAL PURCHASER AND IS NOT ASSIGNABLE OR TRANSFERABLE TO OTHERS. CARDO ASSUMES NO OBLIGATION OR LIABILITY FOR ADDITIONS OR MODIFICATIONS TO THIS WARRANTY UNLESS MADE IN WRITING AND SIGNED BY AN OFFICER OF THE COMPANY.

Batteries are warranted only if the battery capacity falls below 50% of rated capacity or if the battery develops leakage.

IMPORTANT: Do not store your CARDO BK-1 without charging it from time to time for periods in excess of six months, as this may cause irreversible damage to the capacity of your battery. Your warranty will not cover such events.

This warranty also becomes void if:

- a. any of the seals on the case or battery are broken or Product or battery show signs of tampering,
- b. the battery is used in equipment other than the equipment for which it was intended.
- c. the Product is used in contravention of its intended purpose
- d. the Product was purchased from online auctions

Cardo assumes no responsibility resulting from the use of non-Cardo components or products in conjunction with its Products, and specifically the use of third party chargers or *Bluetooth*® devices. Furthermore, Cardo is not responsible for any damage to any part of the Product resulting from the use of ancillary equipment not furnished by Cardo which is attached to or used in connection with the Product.

Not covered by the warranty:

1. Defects or damage resulting from the use of this Product in other than its normal and customary manner.
2. Defects or damage from misuse, accident or neglect.
3. Defects caused by improper operation, maintenance, installation, adjustment or modification of any kind (incl. long-term storage without periodic charging of the battery).
4. Products opened, disassembled or repaired by non-authorized parties.

5. Defects or damage due to exposure to excessive temperatures, adverse weather conditions, external impacts or spills of food or liquid.
6. All plastic surfaces and all other externally exposed parts that are scratched or damaged after purchase.

Disclaimer of Warranty

CARDO DISCLAIMS ALL EXPRESS AND IMPLIED WARRANTIES WITH REGARD TO THE ENCLOSED DEVICE, INCLUDING WITHOUT LIMITATION ANY IMPLIED WARRANTIES OF MERCHANTABILITY, FITNESS FOR A PARTICULAR PURPOSE, AND NON-INFRINGEMENT. THE DEVICE AND ITS ACCESSORIES ARE PROVIDED "AS IS" AND "AS AVAILABLE" WITHOUT WARRANTY OF ANY KIND BEYOND THOSE ASSUMED IN THE ENCLOSED MANUAL.

LIMITATION OF LIABILITY

IN NO EVENT SHALL CARDO BE LIABLE FOR ANY INCIDENTAL, SPECIAL, INDIRECT, PUNITIVE, EXEMPLARY OR CONSEQUENTIAL DAMAGES, WHETHER RESULTING FROM THE USE, MISUSE, OR INABILITY TO USE THIS PRODUCT OR FROM DEFECTS IN THE PRODUCT, OR FOR ANY DAMAGES WHATSOEVER RESULTING FROM THE USE OF THE PRODUCT, WHETHER BASED ON BREACH OF CONTRACT, TORT (INCLUDING NEGLIGENCE), PRODUCT LIABILITY OR OTHERWISE EVEN IF ADVISED OF THE POSSIBILITY OF SUCH DAMAGES. YOU ACKNOWLEDGE AND AGREE THAT THE LIMITATIONS SET FORTH ABOVE ARE FUNDAMENTAL ELEMENTS OF THIS AGREEMENT TO WHICH YOU CONSENT AND WITHOUT WHICH THE PRODUCT WOULD NOT BE PROVIDED TO YOU ABSENT SUCH LIMITATIONS. SOME STATES DO NOT ALLOW CERTAIN EXCLUSIONS OF INCIDENTAL OR CONSEQUENTIAL DAMAGES, SO THE ABOVE LIMITATIONS MAY NOT APPLY TO YOU.

Cardo retains the exclusive right to repair or replace (with a new or newly-refurbished replacement Product) the device or software or give a refund of the purchase price at its sole discretion. SUCH REMEDY SHALL BE YOUR SOLE AND EXCLUSIVE REMEDY FOR ANY BREACH OF WARRANTY.

Warranty Service

To obtain warranty service, your Product must be registered. Register online at: www.cardosystems.com/registration. Please present the Product, along with your registration number, bill of sale (receipt) at any authorized Service Center or at the store from which you have purchased the Product.

To obtain warranty service, contact Cardo's product support and obtain an RMA tracking number, or contact your local Cardo authorized dealer. Ship securely with a copy of the original sales receipt which is required as proof of purchase for warranty repairs. The RMA tracking number should be written on the outside of the package. Send the Product freight charges prepaid, to the Cardo address as directed by Cardo.

Online Auction Purchases: Online auction confirmations are not accepted for warranty verification. To obtain warranty service, an original or copy of the sales receipt from the original retailer is required. Cardo will not replace missing components from online auction sites.

Other manufacturers: Cardo is not responsible for and expressly disclaims any responsibility for how Cardo Products are used or misused arising out of use with products, services or information of other vendors.

WAIVER AND GENERAL RELEASE

By using the Product, you will waive substantial legal rights including the right to sue. Please read the following carefully before using the Product.

By using the Product, you are irrevocably releasing, indemnifying from any liability, loss, claim and expense (including attorneys fees) and holding Cardo harmless for any bodily injuries, harm or death as well as losses or damages in goods, to any vehicles including your own, or to any property or asset that belong to you or to third parties, any of which may result from using the Product under any circumstances or conditions and irrespective of jurisdiction.

1. You, your heirs, legal representatives, successors or assigns, hereby voluntarily and forever release, discharge, indemnify and hold harmless Cardo from any and all litigation, claims, debts, demands, actions and liability which may arise, directly or indirectly, from using the Product for any distress, pain, suffering, discomfort, loss, injury, death, damages to or in respect to any person or property however caused, WHETHER ARISING FROM THE NEGLIGENCE OR OTHERWISE, and which may hereafter accrue to you on some future date as a result of said use, to the fullest extent permitted by law.
2. You fully understand and assume the risks in using the Product, including risk of negligent acts or omissions by others. All risks for operating the Product are assumed solely by the user of the Product.
3. You confirm that you are physically capable to use the Product and that you have no medical conditions or needs that may infringe upon your abilities to do so in a safe manner. You further confirm that you will not consume any alcohol that may affect your alertness or any mind-altering substance, and will not carry, use or consume these substances before or during the use of the Product.
4. You fully acknowledge our warnings and understand that:
 - (a) risks exist in using the Product while in traffic, including but not limited to injury or illness, strains, fractures, partial and/or total paralysis, death or other ailments that could cause serious disability;
 - (b) these risks may be caused by the negligence of the manufacturers or its agents or any third party involved in the Product;
 - (c) these risks and dangers may arise from foreseeable or unforeseeable causes.

You hereby assume all risks and dangers and all responsibility for any losses and/or damages, whether caused in whole or in part by the negligence or other conduct of others, including Cardo.

5. By using the Product, you confirm that you have read this release of liability and fully understand and accept its terms and conditions.

www.cardosystems.com

