

# Remote controller

## GENERAL INFORMATION

This remote controller is designed to separately control your ceiling fan speed and light brightness. There are four buttons (HI, MED, LOW, OFF) to control the speed of the fan and off. The light dimmer button will control the light brightness dimmer and off. The red indicator on the transmitter will light when one of the five buttons is pressed.

### INSTRUCTION OF INSTALLATION AND OPERATION

#### 1. SETTING THE CODES

This unit has 16 different code combinations. To set the codes, perform the following steps:

- A. Setting the codes on the transmitter:
- Remove battery cover. Press firmly on the arrow and slide battery cover off.
  - Slide code switches to your choice of up or down position. (Factory setting is all up. Do not use this position. Use a small screwdriver or ball point pen to slide firmly up or down (Figure 1)).
- B. Setting the codes on the receiver:
- The Learn Key must be pressed within 30 seconds, after pressing the Power button. If not, please press the Power button to restart. Keep pressing the button learn key in excess of 3 second it becomes a LEARN status. The receiver can remember the last codes status. The light flash two times.

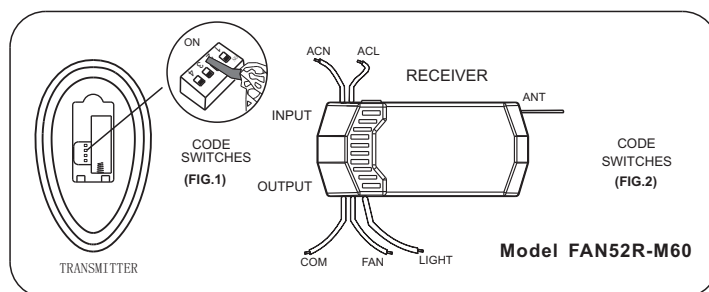
#### 2. INSTALLING RECEIVER IN CEILING FAN

##### A. Safety precautions:

**WARNING: HIGH VOLTAGE!** Disconnect power by removing fuse or switching off circuit breaker. Do not use with other solid state fans. Electrical wire must meet all local and national electrical code requirements. Supply for fan must be 110/120 volt, 60Hz. Maximum fan motor amps: 1.0, Maximum down light watts: 60 LED. Maximum up light watts: 100 incandescent and ballast. Otherwise power can cause serious injury or death.

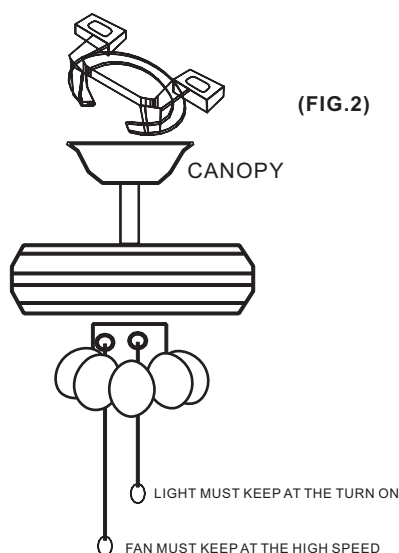
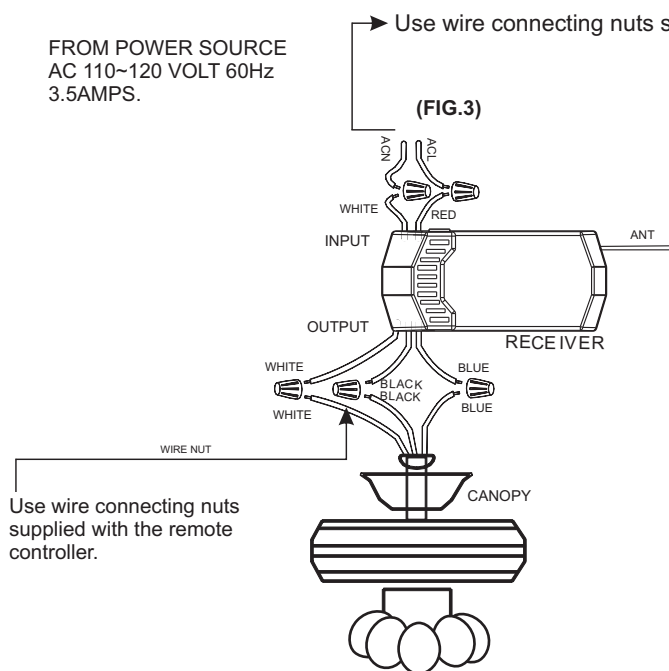
##### B. Installing receiver in fan:

- Remove power from the circuit.
- Remove ceiling fan canopy from the mounting bracket.
- Disconnect existing wiring between ceiling fan and supply in electrical junction box.
- Make connections as follows, using the wire nuts



##### CONNECT TO

Green fan wire ... Bare supply wire  
 Black receiver wire (AC IN L) ... Black supply wire  
 White receiver wire (AC IN N) ... White supply wire  
 White receiver wire (TO MOTOR N) ... White fan wire  
 Black receiver wire (TO MOTOR L) ... Black fan wire  
 Blue receiver wire (DOWN LIGHT) ... Blue light wire



If other fans or supply wires are different colour, have this unit installed by qualified licensed electrician.

- e. Push all connected wires up into junction box.
- f. Lay the brown antenna wire on top of the receiver, and put the receiver into the mounting bracket.
- g. Reinstall the canopy on the mounting bracket.
- h. Restore power.

### 3. OPERATING TRANSMITTER:

- A. Install 12 volt battery. (To prevent damage to transmitter, remove the battery if not use for a long time).
- B. Store the transmitter away from excessive heat or humidity.
- C. This remote control unit is equipped with 16 code combinations. To prevent possible interference from or to other remote units such as garage door openers, car alarm or security system. If you find that your fan and light kit go on And off without using your remote control, simply change the code combination in your transmitter and receiver.
- D. Operating the buttons on the panel of the transmitter.
  - HI key -for fan high speed.
  - MED key-for fan medium speed.
  - LOW key-for fan low speed.
  - OFF key-for fan speed off.
  - FAN REV key-for fan reverse .

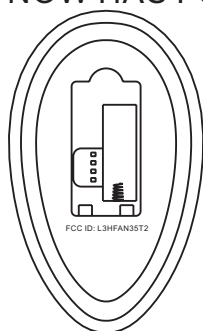
The light function is controlled by pressing the LIGHT key down to increase or decrease light.

- ★ Tap key quickly to turn light off or on.
- Keep pressing the button in excess of 0.7 second it becomes a dimmer, the light varies cyclically in 0.8 second.
- ★ The receiver can remember the last status of the light brightness when the light was switched, so that it can resume to adjust the light brightness.

#### FCC Statement:

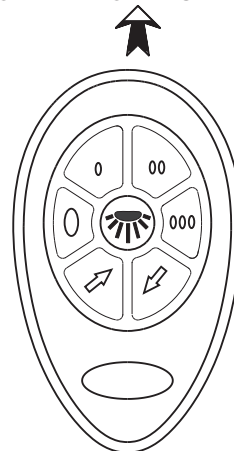
1. This device complies with Part 15 of the FCC Rules. Operation is subject to the following two conditions:
  - (1) This device may not cause harmful interference.
  - (2) This device must accept any interference received, including interference that may cause undesired operation.
2. Changes or modifications not expressly approved by the party responsible for compliance could void the user's authority to operate the equipment.

### YOUR REMOTE NOW HAS FULL CONTROL OF THE FAN AND LIGHT.



Optional Wall Mounting for Transmitter Holder  
Place in accessible area of your home, and screw the transmitter holder into wall using the two screws provided, slide hand unit into holder.

OPERATION DISTANCE 20 FEET



MODEL: FAN-35T2

TRANSMITTER

### 4. TROUBLE SHOOTING GUIDE

1. Fails to operate
  - a. Power to receiver ?
  - b. Receiver wired correctly ?
  - c. Fan manual speed control in highest position ?
  - d. Light kit switch turned on ?
  - e. Good battery in the transmitter ?
  - f. Code set at exact same positions in both transmitter and receiver ?
2. Won't operate at distance  
If transmitter operates fan/light kit when the up close, but not at 20 feet away.  
Try placing the brown antenna wire higher, up through ceiling/outside the junction box.

#### NOTICE !

Your ceiling fan and light kit assembly must meet the following requirements:

1. Do not use with other solid state fans.
2. Electrical rating: 120v 60Hz 3.5A
  - MAX. Motor amps: 1.0
  - MAX. Down Light watts: 60-(LED)

#### WARNING

TO REDUCE THE RISK OF SHOCK, THIS FAN MUST BE INSTALLED WITH A WALL CONTROL/SWITCH.  
NOTE: THE MANUFACTURER IS NOT RESPONSIBLE FOR ANY RADIO OR TV INTERFERENCE CAUSED BY UNAUTHORIZED MODIFICATIONS TO THIS EQUIPMENT. SUCH MODIFICATIONS COULD VOID THE USER'S AUTHORITY TO OPERATE THE EQUIPMENT.