

FCP & FCP WL Foot Control Panel



User Manual

G-30-1706-en

Version 1.1

2009-01-15







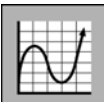



- About this manual* The user manual is part of the scope of delivery.
- Carefully read it before using the device.
 - Keep it at the site of use of the foot control panel.
 - Store it for the entire service life of the foot control panel.
 - Pass it on to every subsequent owner or user of the foot control panel.
- Orientation aids*
- The chapter overview at the beginning of the user manual provides a summary of all subjects.
 - The contents of each chapter are specified in detail at the beginning of each chapter.
 - A keyword index at the end of the manual facilitates the search for specific terms.
- Applicable area* This user manual applies to foot control panels with the following identification:
- Rating label numbers: 304970-9100-000 304970-9200-000
- Information on the manufacturer:
- | | |
|------------------------------|-----------------------------------|
| Carl Zeiss Surgical GmbH | Fax: + 49 (0) 7364 - 20 4823 |
| A Carl Zeiss Meditec Company | Email: surgical@meditec.zeiss.com |
| 73446 Oberkochen | Internet: www.meditec.zeiss.com |
| Germany | |

Subject to change in design and scope of delivery and as a result of ongoing technical development. Printed in Germany.

© Carl Zeiss Surgical GmbH 2009

Chapter overview

	Chapter: Safety measures	5
	Chapter: Design and function	19
	Chapter: Preparations for use	31
	Chapter: Operation	41
	Chapter: What to do in the event of malfunctions	45
	Chapter: Care and maintenance	51
	Chapter: System data	55
	Chapter: Index	61



Safety measures



We would like to provide you with information about safety aspects which must be observed when handling this foot control panel. This chapter contains a summary of the most important information concerning matters relevant to instrument safety.

Key to the symbols in this user manual	6
Hazard symbols	6
Information symbols.....	7
Directives and standards	7
Target group	8
Field of application	8
Intended use	8
Normal use.....	8
Typical misuse	8
Notes for the operator.....	9
Duties of the operator	9
Requirements to be met by the user	12
Warranty and liability.....	13
Requirements for operation.....	14
Before every use.....	14
During use.....	14
After every use	15
Warning labels and notes	16

Key to the symbols in this user manual

Hazard symbols

The following safety information has been incorporated in the user manual. Please note this information and be particularly careful in these cases.

**WARNING**

Indicates a hazard which **can lead to death** or **severe injury** if it is not prevented.

**CAUTION**

Indicates a hazard which can cause **slight** and **medium injury** if it is not prevented.

NOTE

Indicates a hazard which can cause **damage to material** if it is not prevented.

Information symbols

The following information symbols are used in this user manual:

- Listing
- ✓ Prerequisite for an action
- Prompt for action
- Result of an action



Additional information and tips.
No warnings of hazards are provided.

Directives and standards

The foot control panel described in this manual has been designed and tested in accordance with Carl Zeiss safety standards as well as German and international standards. This guarantees a high degree of safety.

The foot control panel has been designed in compliance with the requirements of:

- EN (European standard)
- IEC (International Electrotechnical Commission)
- UL (Underwriters Laboratories)

In accordance with Directive 93/42/EEC for medical devices, the complete quality management system of the company Carl Zeiss Surgical GmbH, 73446 Oberkochen, Germany, has been certified by DQS Deutsche Gesellschaft zur Zertifizierung von Managementsystemen GmbH, a notified body, under registration number 250758 MP23.

Target group

This user manual is intended for physicians, nurses and other medical staff who prepare, operate or maintain the foot control panel after appropriate training and in accordance with the instructions given in this manual. Installation and service work not described in this manual must only be performed by specialists from Carl Zeiss.

Field of application

Intended use

The foot control panel is an accessory for all types of Carl Zeiss surgical microscopes. It enables operation of the motor-driven and controllable functions of the microscope by foot control.

Normal use

This foot control panel permits either cordless or corded operation of up to 14 different functions of a surgical microscope, including its options, by foot control.

Typical misuse

The foot control panel must only be operated in combination with devices from Carl Zeiss.

Notes for the operator

The correct use of the foot control panel is absolutely vital for safe operation. Therefore, please thoroughly familiarize yourself with the content of this user manual before starting up the foot control panel. Please also observe the user manuals of the other devices used. Further information is available from our service department or from authorized representatives.

Duties of the operator

Notes on the foot control panel

- Make sure that the installation conditions and the use of the foot control panel meet microsurgical requirements:
 - low vibration
 - clean environment
 - avoidance of extreme mechanical stress.
- Observe the legal regulations for accident prevention and occupational health and safety applicable in the country concerned.
- Do not operate the components contained in the delivery package
 - in explosion-risk areas,
 - if inflammable anesthetics or volatile solvents such as alcohol, benzine or similar chemicals are present at a distance of less than 25 cm.
- Switch off the connected foot control panel and remove the batteries if you notice any smoke, sparks or unusual noise. Do not use the foot control panel until it has been repaired by our service team.
- Do not force cable connections. If the male and female parts do not readily connect, make sure that they are appropriate for one another. If any of the connectors are damaged, have our service representative repair them.
- Over long distances (e.g. removal, return for repair, etc.), the foot control panel must always be transported in the original packaging or in special return packaging. For details, please contact your dealer or the Carl Zeiss service team.
- Use the foot control panel only for the application described.

- Operate the foot control panel only with the components included in the delivery package. If you wish to use other components, make sure that Carl Zeiss or the manufacturer of the components has verified and confirmed that these components meet the respective safety standards and can be used without risk.
- If a failure occurs which you cannot correct with the aid of the chapter "What to do in the event of malfunctions", attach a sign to the foot control panel stating it is out of order and contact our service representative.
- The foot control panel must not be modified without the manufacturer's approval.
- The foot control panel is a high-grade technological product. To ensure optimum performance and safe working order, we recommend having it checked on a regular basis by our service representative or trained specialist staff.

Notes on EMC (Electromagnetic Compatibility)

The foot control panel complies with the EMC requirements of IEC 60601-1-2. For operating the foot control panel, observe the EMC precautions specified below.

- Only use options approved by Carl Zeiss for this foot control panel.
- Do not use any portable or mobile RF communication equipment in the vicinity of the foot control panel as this may lead to an impairment of the foot control panel's function.
- The foot control panel meets the RFI requirements of Class B. It cannot be ruled out, however, that interferences may occur in RF receivers (e.g. TV or radio sets) in the vicinity. If such interferences are noticed, please inform the Carl Zeiss Service Dept.

Information on exposure to radio frequency radiation in accordance with FCC

The emitted output power of the component is far below the FCC limit values for radio frequency exposure. Nevertheless, the component should be used in such a way that potential contact with persons during normal operation is kept to a minimum.

NOTE

Class

This Class B digital component complies with Canadian standard ICES-003.

NOTE**Limit values and what to do in the event of interference with digital equipment**

This component has been tested and found to comply with the limits for a Class B digital device in accordance with Part 15 of FCC regulations. These limits have been stipulated to provide adequate protection against harmful exposure when the component is operated in residential areas. This component generates and uses radio frequency energy and may emit such energy. If not installed and used in accordance with the relevant instructions, it may cause interference to radio communication. However, there is no guarantee that interference will not occur in a particular installation. If this component causes interference with radio and TV reception, which can be determined by turning the component off and on, the user should try to correct the interference by one or several of the following measures:

- Relocate or reorient the receiving antenna.
- Move the component further away from the receiver.
- Plug the component into a different outlet so that it is not on the same circuit as the receiver.
- Consult an experienced radio/TV technician.

NOTE**Part 15 of FCC regulations**

This component complies with Part 15 of FCC regulations [and with the Industry Canada RSS-210 standard].

Operation of the component is subject to the following two conditions:

- the component must not cause any harmful interference and
- the component must accept any interference received, including interference that may cause undesired operation.

NOTE**Modification or conversion**

Any modification or conversion not explicitly approved by Carl Zeiss will invalidate the FCC license for the operation of this component.

Requirements to be met by the user

- The foot control panel must only be used by staff who have undergone appropriate training and instruction. It is the duty of the customer or institution operating the component to provide training and instruction for the relevant staff.
- Please keep the user manual where it is easily accessible at all times for the persons operating the system.
- Modifications and repairs of the foot control panel or any components operated together with the foot control panel may only be performed by our service representative or by other authorized persons.

Warranty and liability

Warranty and liability depend on the applicable contractual stipulations.

NOTE

Loss of warranty

The manufacturer is not liable for any damage caused by unauthorized persons tampering with the foot control panel. Furthermore, this will forfeit any rights to claim under warranty.

Requirements for operation

Our service representative or an expert authorized by us will install the foot control panel. Please ensure that the following requirements are met for further operation:

- ✓ The connecting components have been properly connected. The screw connections have been firmly tightened.
- ✓ All cables and plugs are in perfect condition.

Before every use

- Make sure that all "Requirements for operation" are fulfilled.
- Go through the checklist.
- Reattach any covers or caps that were removed from the foot control panel. Close any existing openings with the corresponding caps.

During use

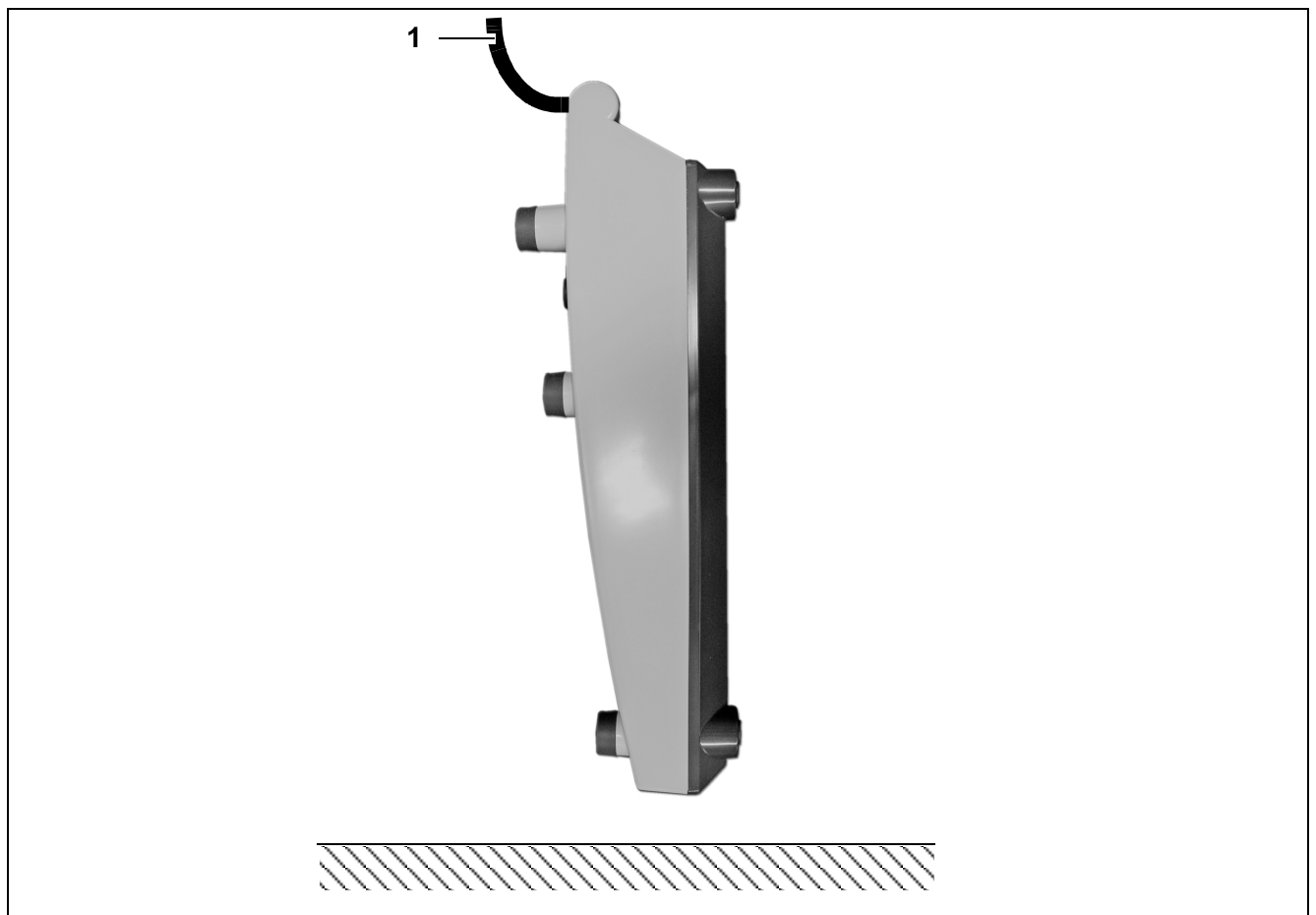
- Constantly monitor the foot control panel during use.

After every use

- Put the foot control panel in its rest position by attaching its bracket e.g. to floor stand (1).
- The foot control panel is shut down in the rest position to save energy.



The energy-saving rest position extends the service life of the batteries in the cordless version of the foot control panel.



Warning labels and notes

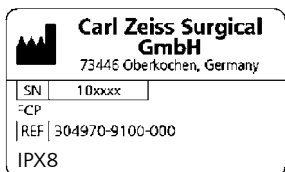


CAUTION

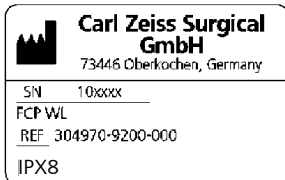
Note the warning labels and notes!

- If you notice that any label on your foot control panel is missing or has become illegible, please contact us or one of our authorized representatives. We will supply a replacement.

1A



1B



1 Type label

A - Label for the corded version of the foot control panel

B - Label for the cordless version of the foot control panel

- Manufacturer (company name)
- Serial number (SN)
- Product name
- Order number (REF)
- IP classification (degree of protection against the harmful ingress of water and solid particles)



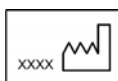
2 "Observe the user manual" label

Observe the user manual or further applicable documents.



3 "Observe disposal regulations" label

Electrical or electronic devices must not be disposed of as normal domestic waste. For more information on the disposal of electrical and electronic devices, please see the chapter "Maintenance and care".



4 "Year of manufacture" label

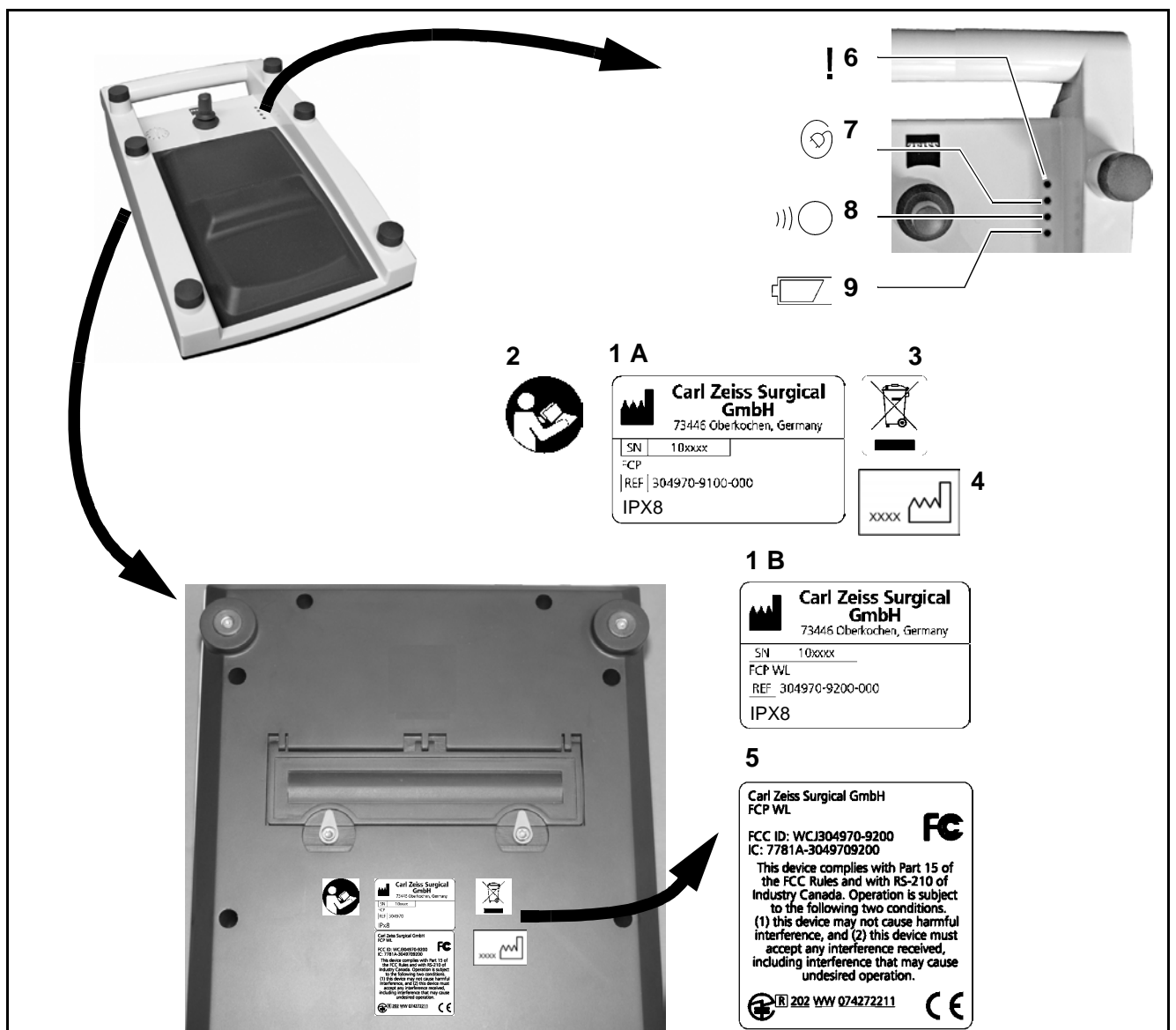
This label indicates the year of manufacturer of the system.

5 Radio equipment approval identification

(for FCP WL only)



- ! 6 Ready for use status indicator
- ♥ 7 Cable connection status indicator
-))) 8 Radio link status indicator
- 🔋 9 Battery status indicator



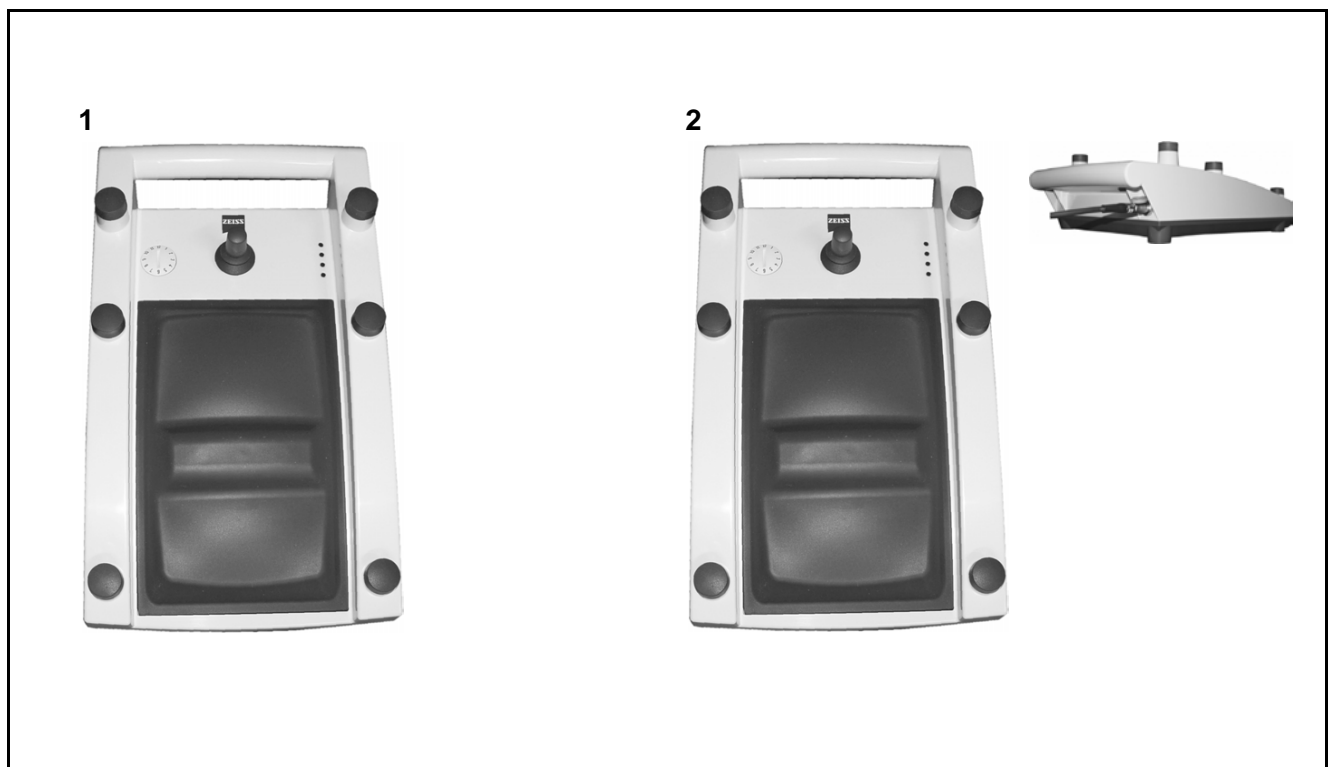
Design and function



Versions of the foot control panel	21
Components of the foot control panel.....	22
Standard assignment in the longitudinal configuration	26
Standard assignment in the transverse configuration.....	28

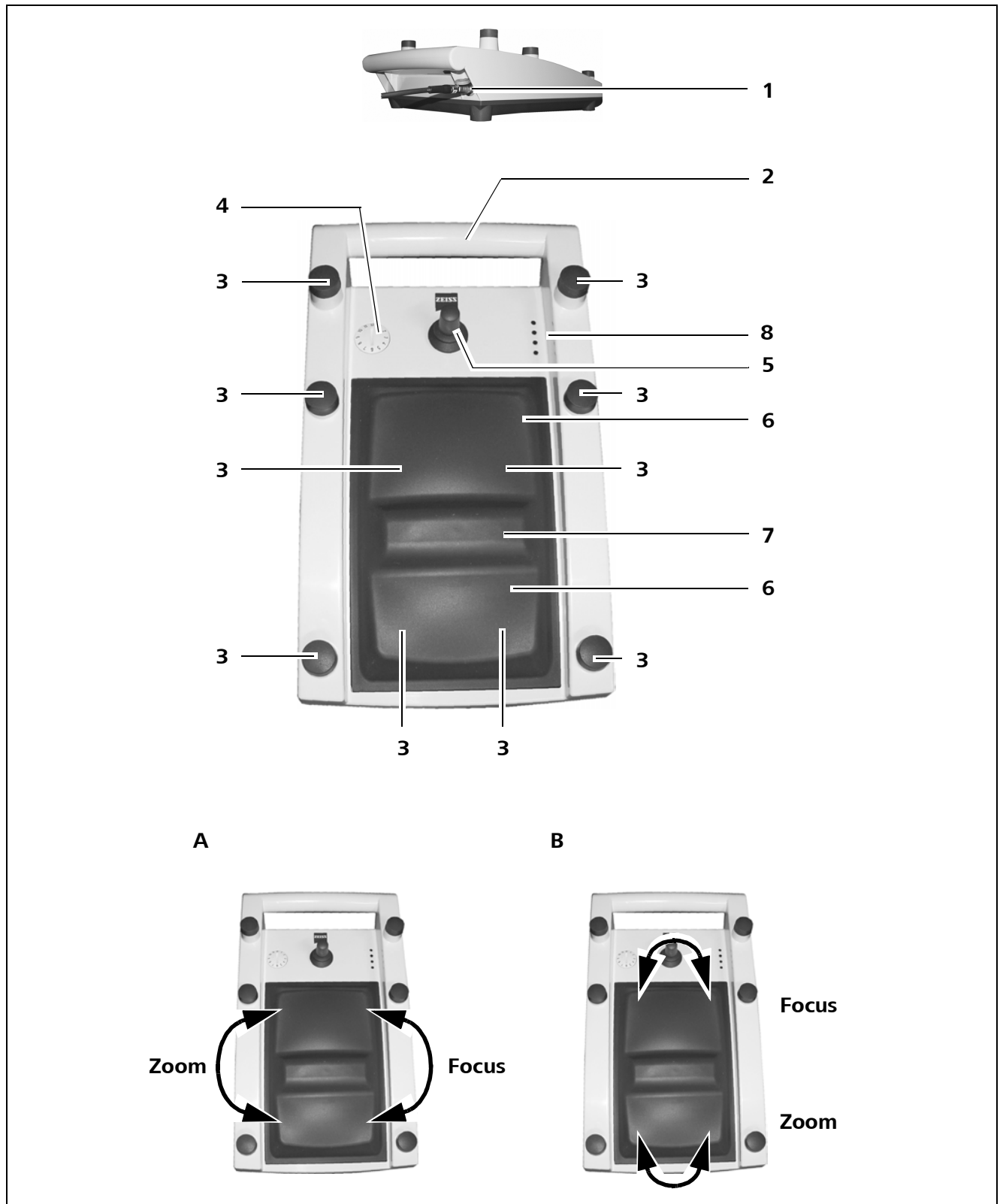
Versions of the foot control panel

- 1 Cordless foot control panel with 14 functions
- 2 Corded foot control panel with 14 functions



Components of the foot control panel

- 1** Connecting cable
Connects the foot control panel to the appropriate connector on a suspension system or wall-mounted control panel.
- 2** Bracket
Allows you to hang up the foot control panel on the floor stand or on the wall when not in use.
- 3** Controls
Buttons operated with your foot.
- 4** Indicator
The adjustable indicator is required for the cordless version. It indicates the assignment to a surgical microscope after pairing.
- 5** Joystick
Permits you to control e.g. an X-Y coupling or the motorized lateral and front-to-back tilt of the surgical microscope.
- 6** Rocker switch
The two rocker switches are used to operate the "Zoom" and "Focus" functions. For this, each of the rocker switches contains two switching elements, allowing you to control the functions by toe and heel movement without the need to shift your foot.
You can optionally assign the "Zoom" and "Focus" functions to the switching elements of the rocker switches. Switchover is performed automatically on the suspension system.
A Longitudinal configuration:
The left switching elements of the rocker switches are used to operate the "Zoom" function. The right switching elements of the rocker switches are used to operate the "Focus" function. For more information, please see page 26.
B Transverse configuration:
The switching elements of the front rocker switch are used to operate the "Focus" function. The switching elements of the back rocker switch are used to operate the "Zoom" function. For more information, please see page 28.
- 7** Foot rest
The bridge between the two rocker switches (6) serves as a support to rest your foot on.
- 8** Status indicators
Indicate different statuses by shining/not shining.



Functions of the status indicators



- During cordless operation, you have to activate the "ready for use", "radio link" and "battery" status indicators by simultaneously pressing a button each on the left and right side of the foot control panel. The status indicators are only active while the buttons are pressed.
- During corded operation via the connecting cable, the "ready for use" and "cable connection" status indicators are permanently lit.



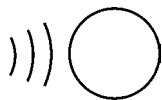
1 Ready for use status indicator

- Shining green: the foot control panel is ready for use, no error is present.
- Shining amber: the foot control panel detects a temporary error and eliminates it automatically.
- Shining red: the foot control panel is not ready for use, an error is present.



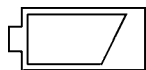
2 Cable connection status indicator

- Shining green: the connecting cable has been plugged in, power supply is present.
- Not shining: the foot control panel operates in the cordless mode.



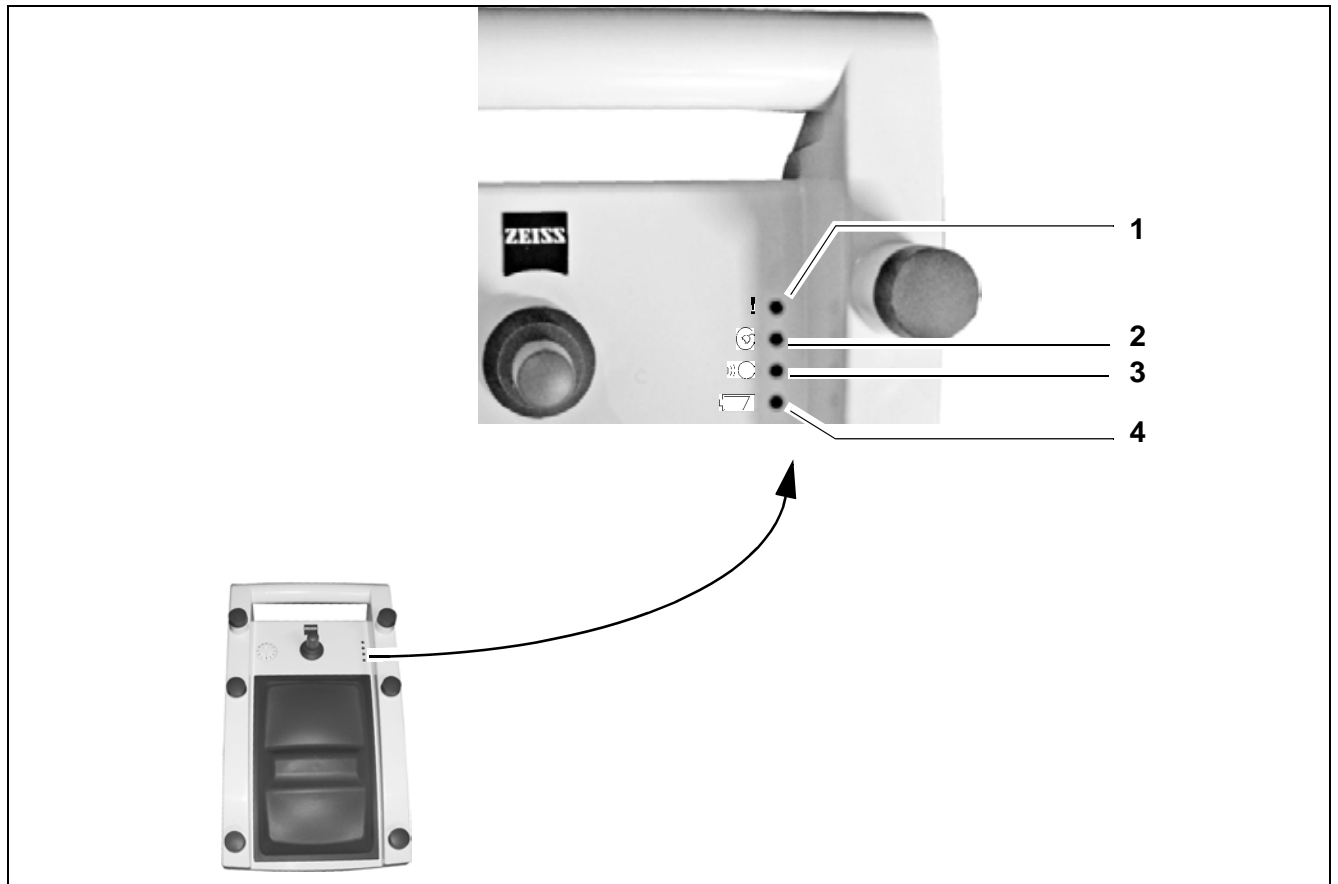
3 Radio link status indicator

- Shining green: very good radio link.
- Shining amber: reduced radio link, e.g. due to slight interference, shielding or too large a distance between the suspension system and foot control panel.
- Shining red: no radio link, e.g. due to non-existent pairing with the suspension system, see page 34, shielding or too large a distance between the suspension system and foot control panel.
- Flashing amber: while pairing with the suspension system is in progress.



4 Battery status indicator

- Shining green: batteries are OK.
- Shining amber: batteries will not last much longer.
 - Obtain replacement batteries and keep them ready at hand.
- Shining red: batteries are depleted and need to be replaced immediately.



Meaning of the acoustic signals

Signal	Cause	Remedy
beep	Confirms a function	--
beep-beep	Warning	<ul style="list-style-type: none"> Put the foot control panel in its rest position (vertical position), see page 38. Check the status indicators, see page 24.
beep-beep-beep	Problem	see "Troubleshooting"

Standard assignment in the longitudinal configuration

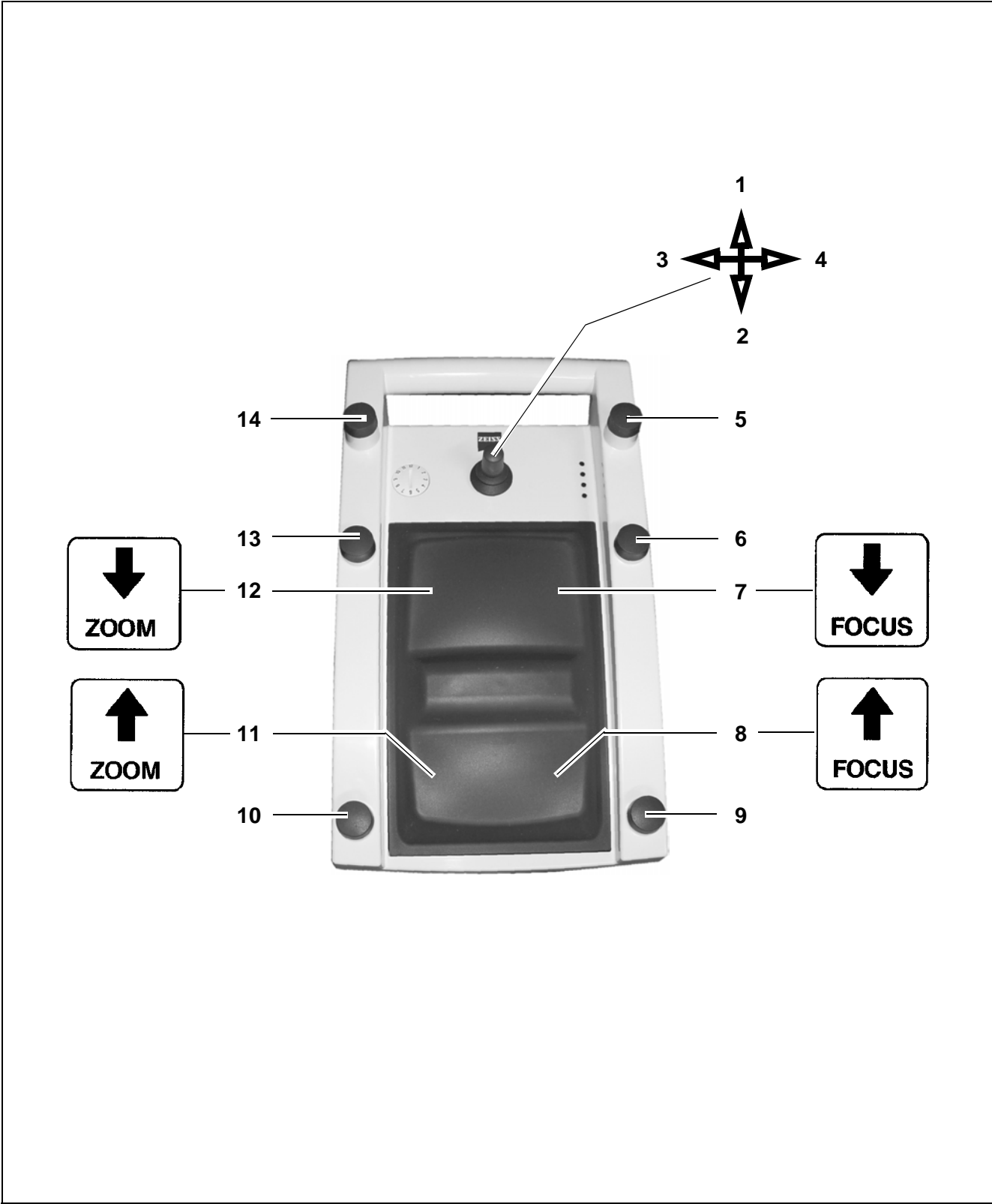


The longitudinal configuration refers to the focus and zoom functions.

Joystick

The joystick permits control in the following four directions:

- 1 front.
- 2 back.
- 3 left.
- 4 right.
- 5 Switch
Function depending on surgical microscope used
- 6 Switch
Function depending on surgical microscope used
- 7 Focus down
Focusing on a lower plane, the working distance is increased
- 8 Focus up
Focusing on a higher plane, the working distance is reduced
- 9 Switch
Function depending on surgical microscope used
- 10 Switch
Function depending on surgical microscope used
- 11 Zoom in
Increasing magnification, the field of view is reduced
- 12 Zoom out
Reducing magnification, the field of view is increased
- 13 Switch
Function depending on surgical microscope used
- 14 Switch
Function depending on surgical microscope used



Standard assignment in the transverse configuration

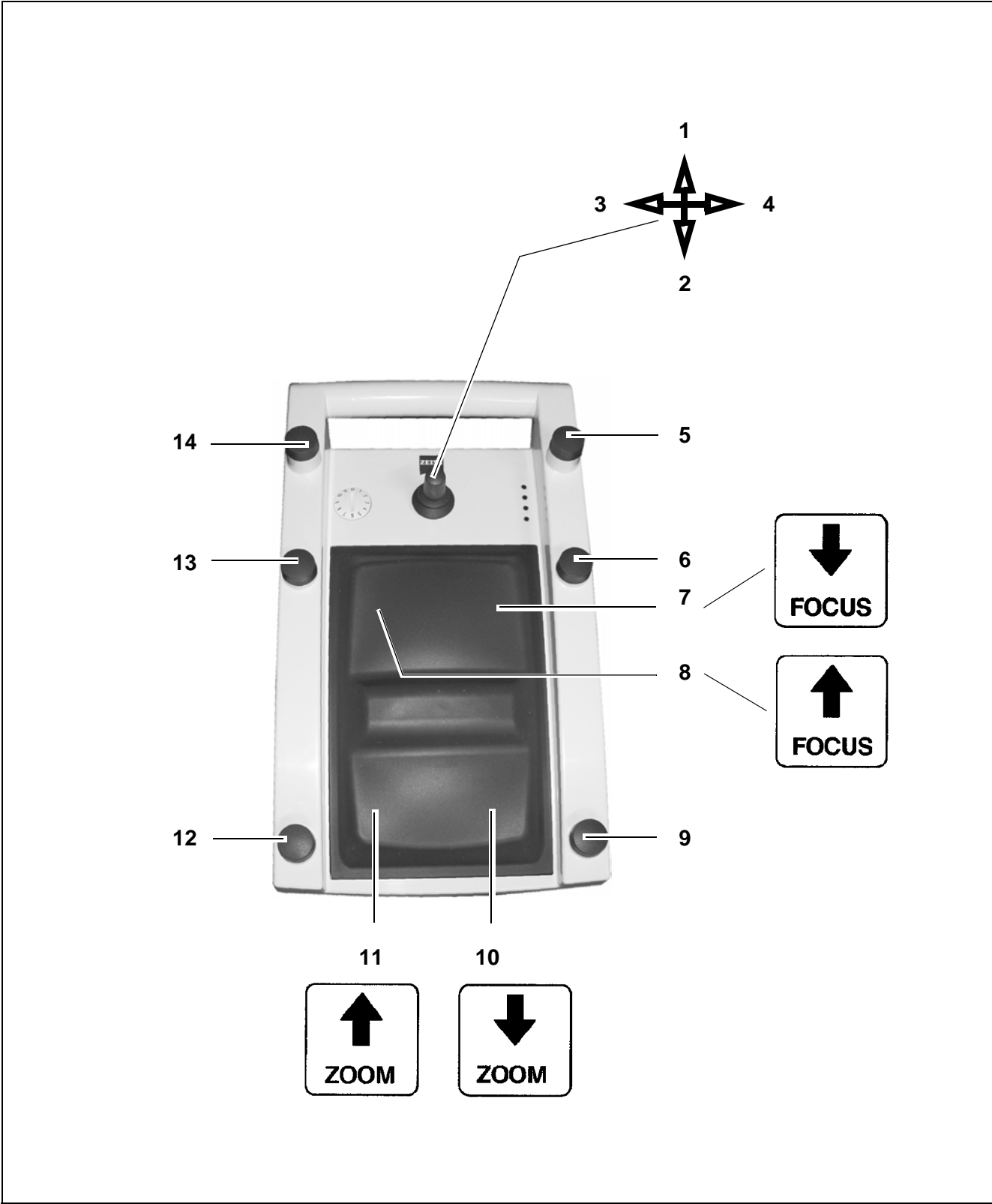


The transverse configuration refers to the focus and zoom functions.

Joystick

The joystick permits control in the following four directions:

- 1 front.
- 2 back.
- 3 left.
- 4 right.
- 5 Switch.
Function depending on surgical microscope used
- 6 Switch
Function depending on surgical microscope used
- 7 Focus down
Focusing on a lower plane, the working distance is increased
- 8 Focus up
Focusing on a higher plane, the working distance is reduced
- 9 Switch
Function depending on surgical microscope used
- 10 Zoom out
Reducing magnification, the field of view is increased
- 11 Zoom in
Increasing magnification, the field of view is reduced
- 12 Switch
Function depending on surgical microscope used
- 13 Switch
Function depending on surgical microscope used
- 14 Switch
Function depending on surgical microscope used



Preparations for use



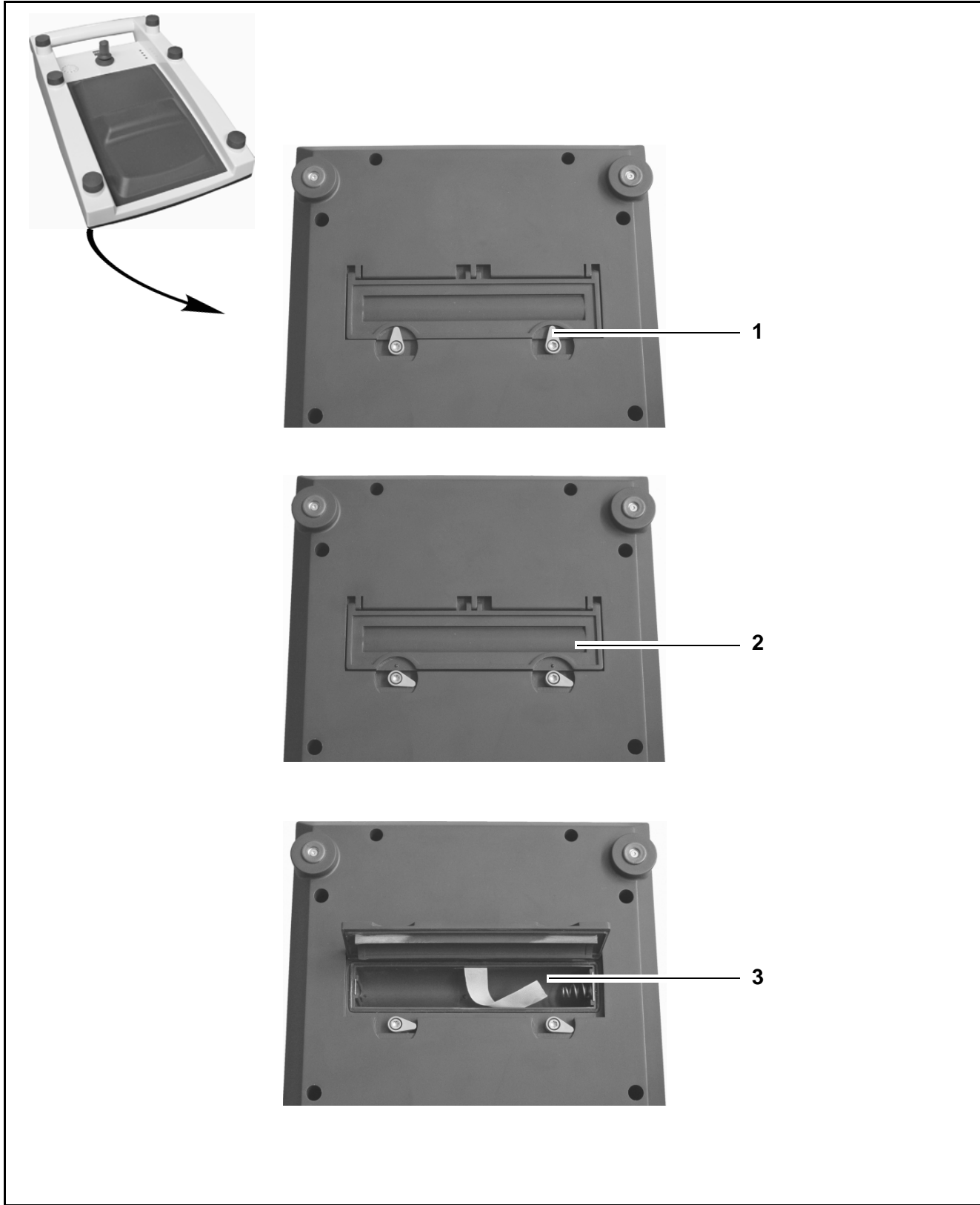
Inserting the batteries for cordless operation.....	32
Pairing with the suspension system.....	34
Connecting the connection cable.....	36
Exchanging the joystick head	37
Bringing the foot control panel into its working position.....	38
Adapter plate on the operating chair	39

Inserting the batteries for cordless operation

NOTE

The wrong type of batteries may damage the foot control panel or impair its function.

- Only use C type 1.5 V alkaline-manganese batteries, also see the chapter "Technical data".
 - Do not use any rechargeable batteries. The operating duration with rechargeable batteries has not been defined.
-
- Turn the two locks (1) on the battery compartment from the 12 o'clock position to the 3 o'clock position.
 - Open the cover of the battery compartment (2).
 - Insert three C type batteries in the battery compartment, ensuring that the polarity is correct. The polarity is shown at the bottom of the battery compartment (3).
 - Close the cover of the battery compartment (2).
 - Turn the two locks (1) on the battery compartment from the 3 o'clock position back to the 12 o'clock position.



Pairing with the suspension system

NOTE**The foot control panel may be disabled.**

- If pairing is performed incorrectly or not at all, the foot control panel may be disabled, or activation of a control may trigger functions on a different suspension system not assigned to the foot control panel.



Pairing means the fixed relative assignment of the suspension system and foot control panel.

Pairing must be performed for cordless operation.

- Put the foot control panel in a vertical position (1) in the immediate vicinity of the suspension system.
- Start the pairing process on the suspension system, see user manual for the suspension system.
- "Radio link" status indicator (2) flashes amber.
- Press one of the buttons (3) on the foot control panel for about 5 seconds.
- "Radio link" status indicator (2) on the foot control panel starts flashing.
- Release button (3) on the foot control panel.
- "Radio link" status indicator (2) continues flashing for a few seconds.

Successful pairing

- A beep indicates that pairing has been successfully completed.
- The "radio link" status indicator (2) shines green for about 1 second.



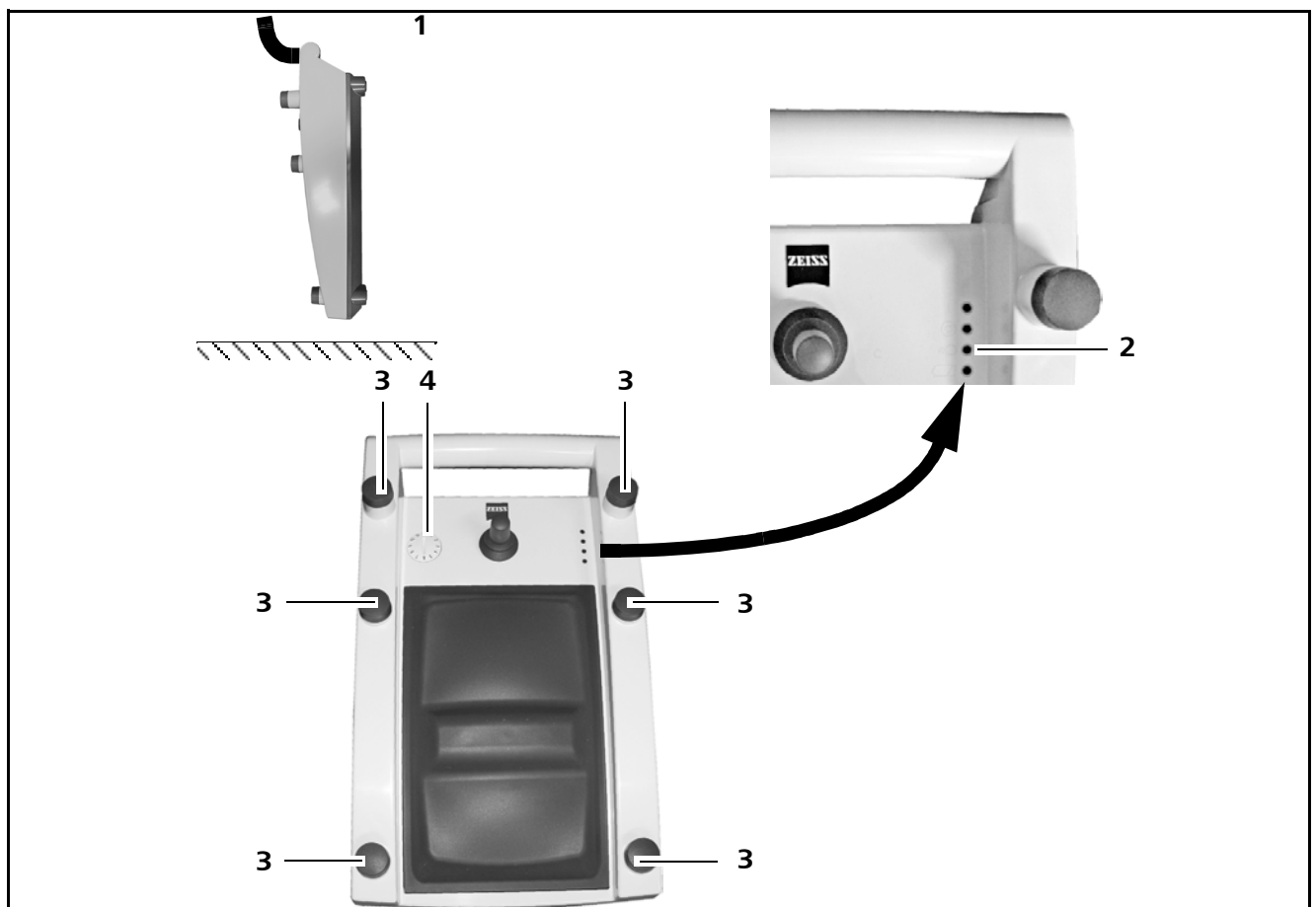
You can also check whether pairing was successful by simultaneously pressing two buttons on the foot control panel. "Radio link" status indicator (2) will be lit.

Pairing failed

- Three beeps indicate that pairing has not been successfully completed.
- "Radio link" status indicator (2) shines red for about 1 second.
- Repeat the pairing process as described above.

**CAUTION****Risk of confusion when using multiple foot control panels**

- The use of several foot control panels may lead to confusion and, as a result, to malfunction.
- After pairing, mark the associated suspension system with a number (stickers provided in the delivery package) and set indicator (4) on the foot control panel to the number assigned to the suspension system.
- Make sure that the assigned identification is unique in the entire surgery area.
- Check the function of the foot control panel on the basis of the checklist on page 42.



Connecting the connection cable



CAUTION

Tripping hazard caused by loops of the connecting cable

- Check the routing of the connecting cable.
- Remove any loops and route the connecting cable so as to avoid any tripping hazards.



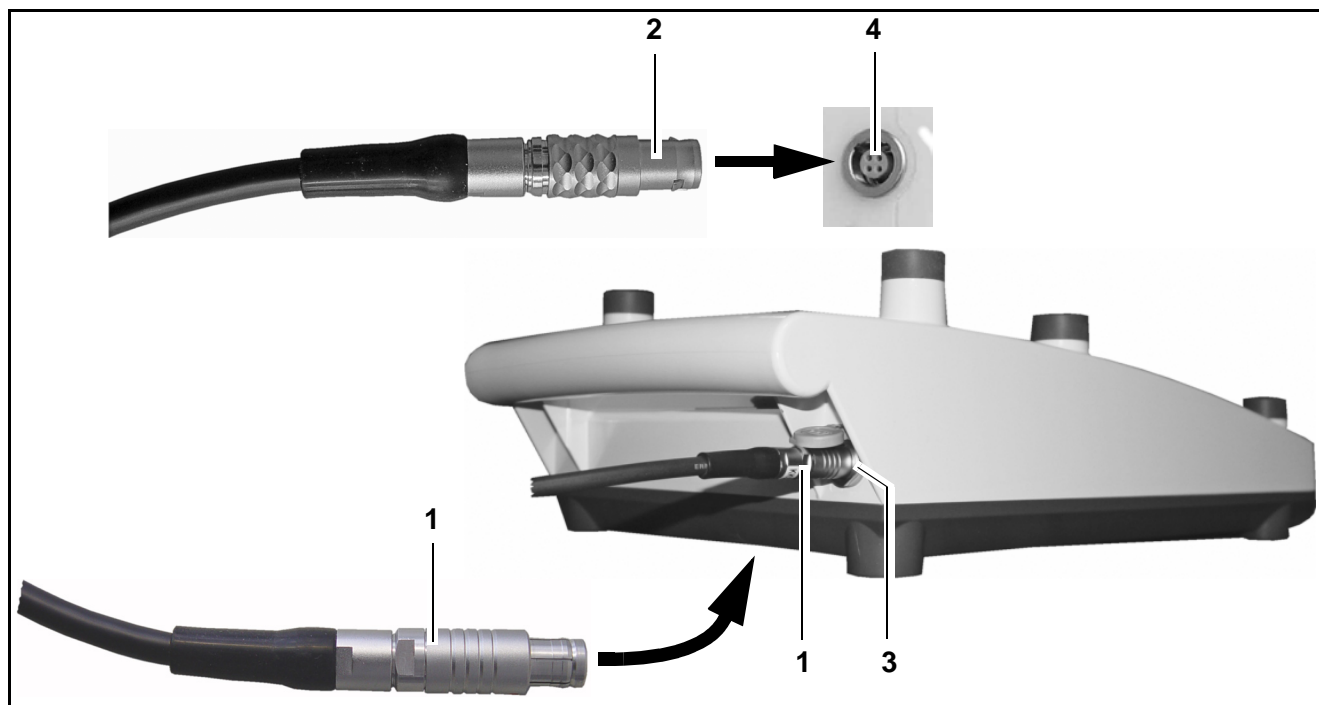
The connecting cable is required for corded operation of the foot control panel.



Only use

- cable 304970-8730-000 with a 3 m length or
- cable 304970-8760-000 with a 6 m length

- Insert 6-pin connector (1) in socket (3) on the foot control panel.
- Insert 4-pin connector (2) in socket (4) on the suspension system.

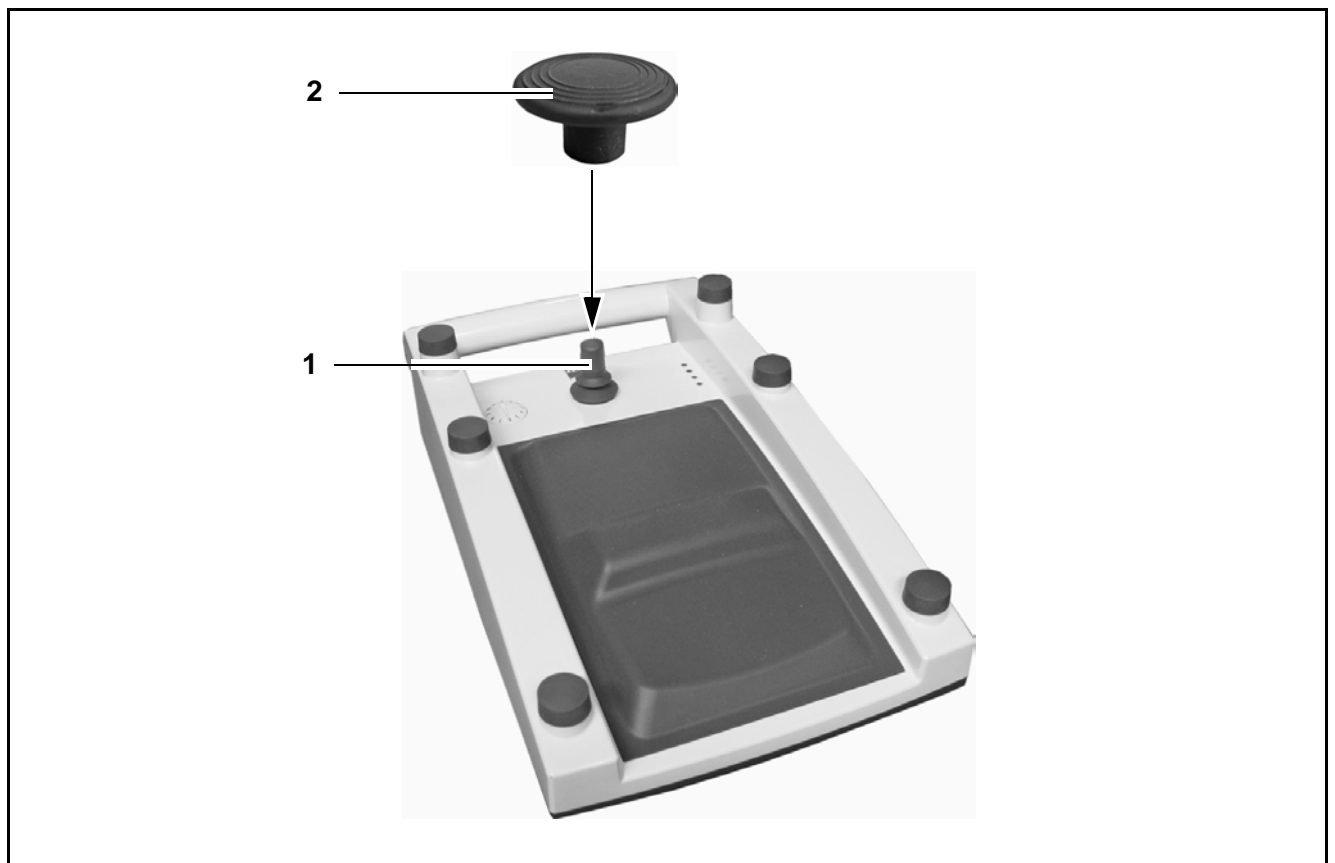


Exchanging the joystick head



The delivery package of the foot control panel includes an extension for the joystick and a joystick knob. You can use these items to suit your personal work style.

- Remove joystick extension (1) by pulling it upward.
- Push joystick knob (2) into position as far as it will go.

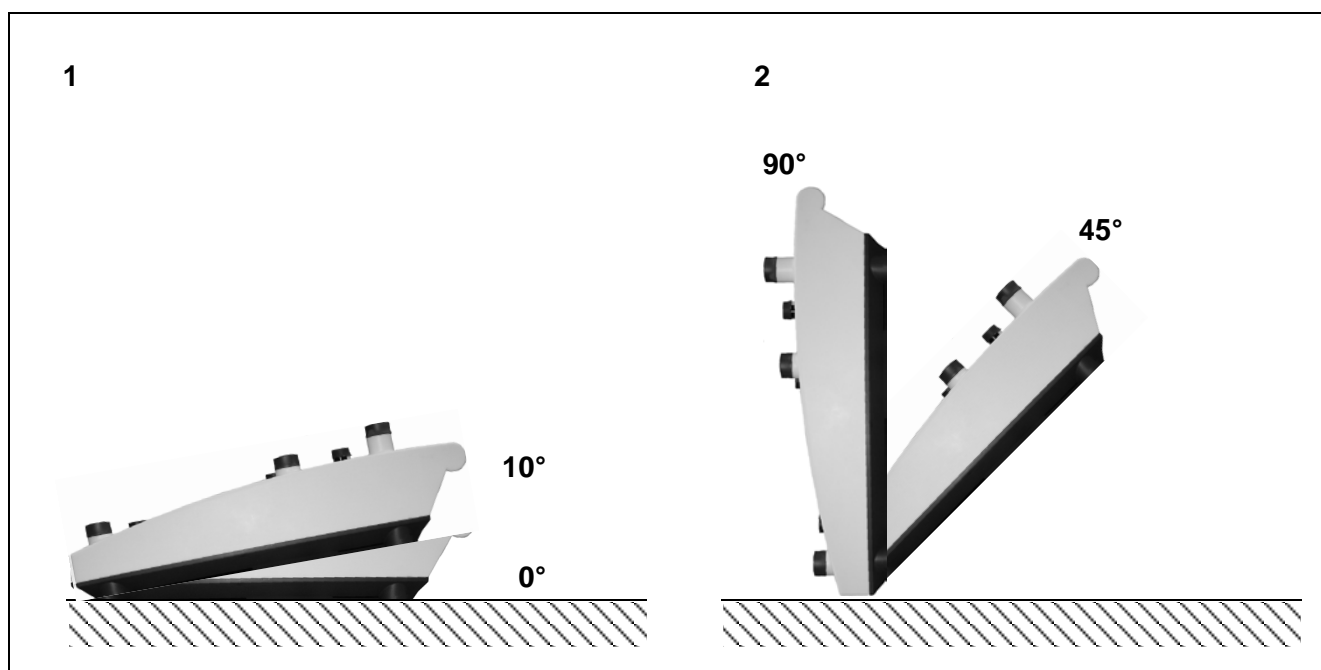


Bringing the foot control panel into its working position

- Bring the foot control panel into its working position (1).
 - Working position: 0° ... 10°
 - Rest position: 45° ... 90°



In its rest position (2), the foot control panel is completely disabled. It shuts down to save energy. The energy-saving rest position extends the service life of the batteries in the cordless FCP version.

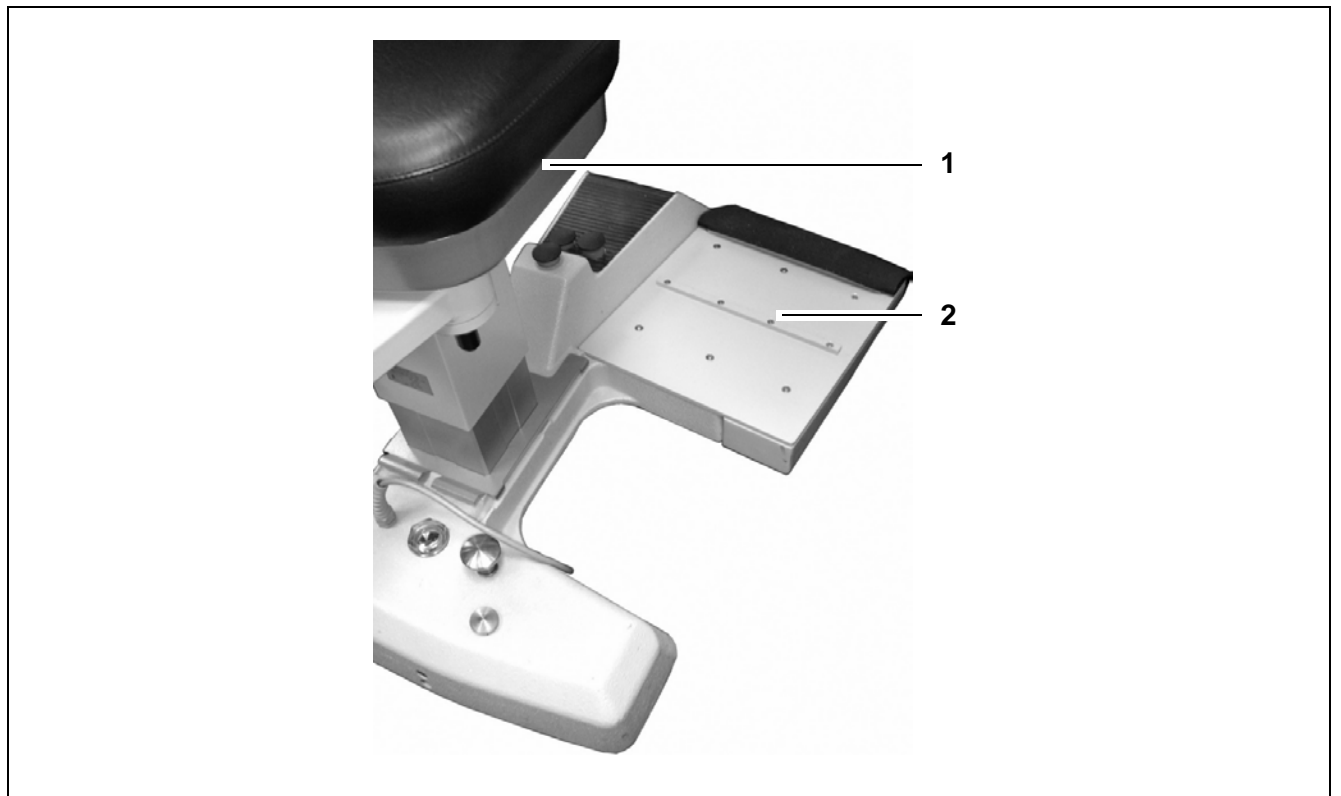


Adapter plate on the operating chair

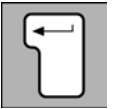


To permit improved ergonomic use, Carl Zeiss offers an adapter plate for the operating chair. The installation will be performed by Zeiss service staff.

- 1 [Operating chair 304731-9901-000](#)
- 2 [Adapter plate 000000-1117-104](#)



Operation



Checklist for cordless foot control panel42

Checklist for corded foot control panel43

Checklist for cordless foot control panel

- Always check the function of the foot control panel before surgery (without patient!) using the following checklist:



CAUTION

Failure of functions!

If a function fails, do not use the foot control panel for safety reasons!

- If possible, correct the malfunction (see "What to do in the event of malfunctions") or contact the Zeiss service department.



CAUTION

Unintended operation of the foot control panel!

A vertically adjustable operating table may accidentally activate buttons on the foot control panel.

- Therefore, make sure during installation and use that any unintended activation of controls is not possible.

NOTE

Use of drapes

The use of a drape on the foot control panel reduces its friction on the floor, thus impairing slip resistance.

- Prerequisites*
- ✓ The foot control panel is in its working position.
 - ✓ The batteries have been inserted with correct polarity.
 - ✓ The suspension system has been powered on.
 - ✓ The foot control panel has been paired with the suspension system.
 - ✓ The number in the indicator of the foot control panel is identical to that on the suspension system.
 - ✓ The freely programmable buttons have been configured.
 - Check all functions of the foot control panel.
 - The suspension system and the surgical microscope must perform the defined functions.

Checklist for corded foot control panel

- Always check the function of the foot control panel before surgery (without patient!) using the following checklist:



CAUTION

Failure of functions!

If a function fails, do not use the foot control panel for safety reasons!

- If possible, correct the malfunction (see "What to do in the event of malfunctions") or contact the Zeiss service department.



CAUTION

Unintended operation of the foot control panel!

A vertically adjustable operating table may accidentally activate buttons on the foot control panel.

- Therefore, make sure during installation and use that any unintended activation of controls is not possible.

NOTE

Use of drapes

The use of a drape on the foot control panel reduces its friction on the floor, thus impairing slip resistance.

Prerequisites

- ✓ The suspension system has been powered on.
- ✓ The connecting cable is undamaged and ready for operation.
- ✓ The connecting cable has been connected to the suspension system.
- ✓ The freely programmable buttons have been configured.
- Check all functions of the foot control panel.
- The suspension system and the surgical microscope must perform the defined functions.



What to do in the event of malfunctions



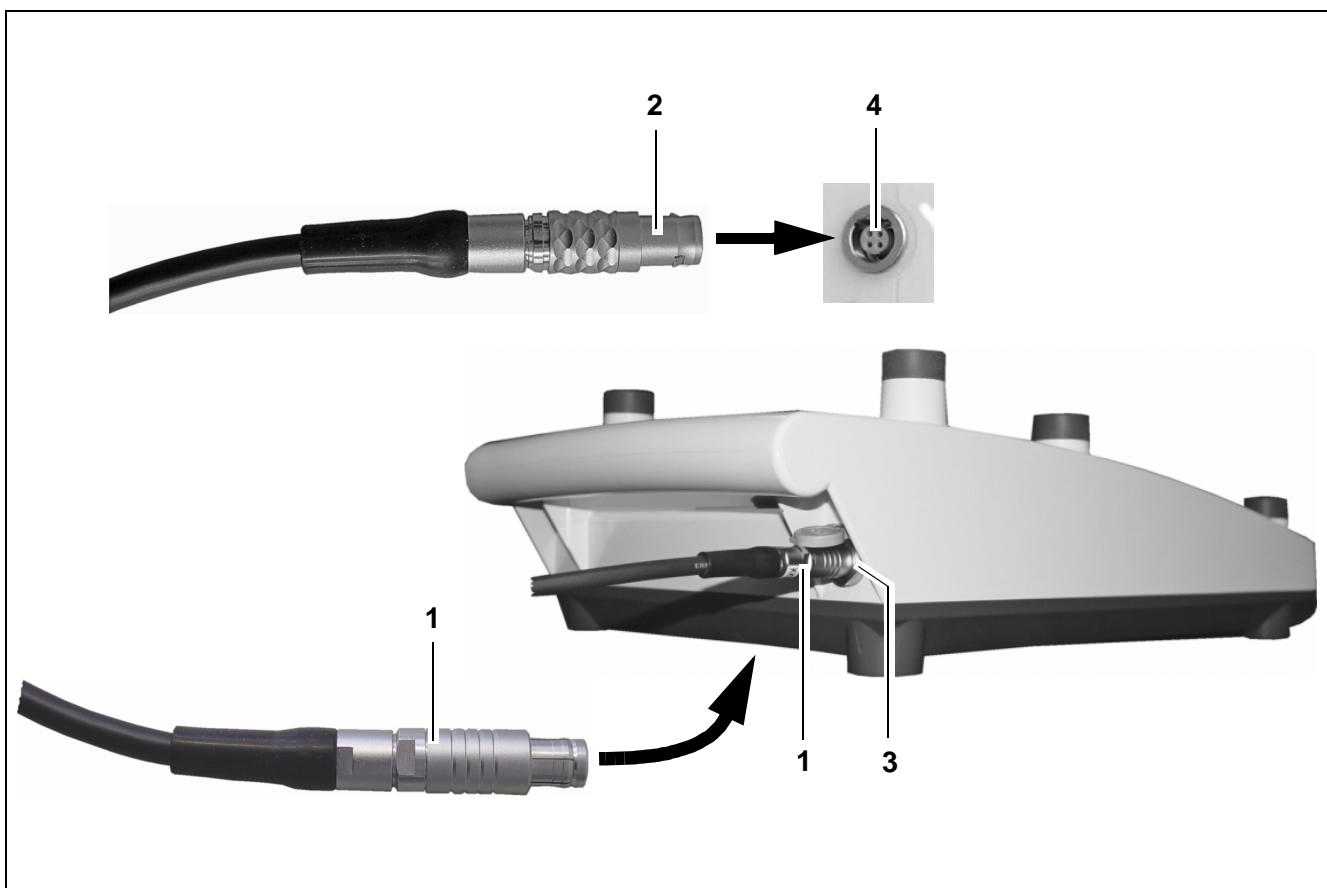
What to do in an emergency	46
Failure of the cordless foot control panel.....	46
Troubleshooting in the cordless foot control panel	47
For your safety	47
Malfunction of the foot control panel.....	47
Troubleshooting in the corded foot control panel	49
For your safety	49
Malfunction of the foot control panel.....	49

What to do in an emergency

Failure of the cordless foot control panel

The suspension system or the surgical microscope does not respond to the activation of any of the controls on the foot control panel.

- Insert 6-pin connector (1) of the connecting cable in socket (3) on the foot control panel.
 - Insert 4-pin connector (2) of the connecting cable in socket (4) on the suspension system.
- The foot control panel now operates in the corded mode.



Troubleshooting in the cordless foot control panel

For your safety

This device is a high-grade technological product. To ensure optimum performance and safe working order, we recommend having it checked by our service representative as part of regular scheduled maintenance.

- If a failure occurs which you cannot correct with the aid of the chapter "What to do in the event of malfunctions", attach a sign to the device stating it is out of order and contact our service representative.

Malfunction of the foot control panel



The status indicators and acoustic signals help you diagnose malfunctions, see page 24 f.

Problem	Possible cause	Remedy	See	
Temporary failure of function	Batteries are depleted	Replace batteries	page 32	
	Use of rechargeable batteries	Replace batteries	page 32	
	Failure of individual button functions		Reconfigure button function - only possible if functions can be configured on suspension system	--
			Contact service dept.	--
	Failure / malfunction of radio link in cordless foot control panel	Connect cable	page 36	
	Position switch always detects rest position	Connect cable	page 36	
	Interference in radio link	Connect cable	page 36	
	Weak radio signal	Connect cable	page 36	
No pairing with suspension system	Perform pairing with suspension system	page 34		

Problem	Possible cause	Remedy	See
Unintended activation of function	Button got jammed after activation	Put foot control panel in its rest position	page 15
		Reconfigure button function - only possible if functions can be configured on suspension system	--
		Contact service dept.	--
Foot control panel sends incorrect activation signal		Put foot control panel in its rest position	page 15
		Reconfigure button function - only possible if functions can be configured on suspension system	--
Wrong foot control panel		Check whether the identifications on the suspension system and in the indicator of the foot control panel are identical.	--
		Perform pairing with the suspension system	page 34

Troubleshooting in the corded foot control panel

For your safety

This device is a high-grade technological product. To ensure optimum performance and safe working order, we recommend having it checked by our service representative as part of regular scheduled maintenance.

- If a failure occurs which you cannot correct with the aid of the chapter "What to do in the event of malfunctions", attach a sign to the device stating it is out of order and contact our service representative.

Malfunction of the foot control panel



The status indicators and acoustic signals help you diagnose malfunctions, see page 24 f.

Problem	Possible cause	Remedy	See
Foot control panel is inoperative	Connecting cable not connected to suspension system	Connect the connecting cable	page 36
Temporary failure of function	Failure of individual button functions	Reconfigure button function - only possible if functions can be configured on suspension system	--
		Contact service dept.	--

Problem	Possible cause	Remedy	See
Unintended activation of function	Button got jammed after activation	Disconnect cable from suspension system.	page 15
		Reconfigure button function - only possible if functions can be configured on suspension system	page 36
		Contact service dept.	--
	Foot control panel sends incorrect activation signal	Disconnect cable from suspension system.	page 36
		Reconfigure button function - only possible if functions can be configured on suspension system	--

Care and maintenance



Care of the device	52
Cleaning.....	52
Disinfection	52
Environmental protection measures	53
Note on disposal	53

Care of the device

Cleaning



Contamination of the foot control panel

- If possible, clean the foot control panel and its components directly after use.
- Contaminations should not be allowed to dry on the objects, as this would make cleaning and disinfecting more difficult.

Cleaning mechanical surfaces

All mechanical surfaces of the foot control panel and its components can be cleaned by wiping them with a damp cloth. Do not use any aggressive or abrasive cleaning agents.

Clean off any residue using a mixture of 50% ethyl alcohol and 50% distilled water plus a dash of household dish-washing liquid.

Disinfection



CAUTION

Observe the manufacturer's instructions for use!

- Use MELISEPTOL in accordance with the manufacturer's specifications and observe the instructions for use provided with the product.
- Wear disposable plastic gloves to prevent skin contact with the disinfectant.

It may be necessary to disinfect the foot control panel to permit its use in the OR, for example.

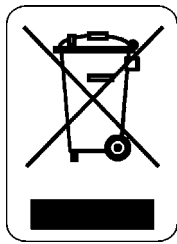
We recommend using MELISEPTOL disinfectant from B. Braun, Melsungen AG.

MELISEPTOL is available from Carl Zeiss, and you can also obtain it locally in many countries from representatives of B. Braun, Melsungen AG.

Environmental protection measures

Note on disposal

User information on the disposal of electrical and electronic devices



This symbol means that the product must not be disposed of as normal domestic waste.

The correct disposal of electrical or electronic devices helps to protect the environment and to prevent potential hazards to the environment and/or human health which may occur as a result of improper handling of the devices concerned.

For detailed information on the disposal of the product, please contact your local dealer or the device manufacturer or its legal successor. Please also note the manufacturer's current information on the Internet. In the event of resale of the product or its components, the seller is required to inform the buyer that the product must be disposed of in accordance with the applicable national regulations currently in force.

For customers in the European Union

Please contact your dealer or supplier if you wish to dispose of electrical or electronic devices.

Information on disposal in countries outside the European Union

This symbol is only applicable in the European Union. For the disposal of electrical and electronic devices, please observe the relevant national legislation and other regulations applicable in your country.

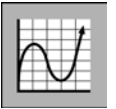
**WARNING****Disposal of batteries****Risk of explosion!**

- Never throw batteries into a fire.

Please observe the local directives relating to the disposal of batteries, or contact your local sales organization for further information.

The batteries must not be disposed of as normal domestic waste. Use an appropriate facility for the disposal of batteries.

System data



Technical data	56
Mechanical data	56
Electrical data	56
Ordering data	58
Approval verification	59
Ambient conditions	60

Technical data

Mechanical data

Component	Feature
Dimensions L x W x H	approx. 410 x 243 x 128 mm
Weight	approx. 2.4 kg

Electrical data

Electrical data, cordless operation

Component	Feature
Power supply	3 x C type 1.5 V alkaline-manganese batteries
Current consumption	Max. 100 mA
Service life of batteries	Approx. 2 to 6 months - depending on the operating duration of the foot control panel
Electrical standard	Complying with IEC 60601-1; UL 60601-1; Degree of protection IPX8
Cable connection	Remote socket for connecting cable

The device has been designed for continuous operation.

Electrical data, corded operation

Component	Feature
Power supply	15 VDC \pm 10 % via the suspension system
Current consumption	Max. 200 mA
Electrical standard	Complying with IEC 60601-1; UL 60601-1; Degree of protection IPX8
Cable connection	Remote socket for connecting cable

The device has been designed for continuous operation.

Ordering data

Foot control panel with 14 functions - cordless and corded

Description	Cat. No.
Foot control panel with 14 functions, corded	304970-9100-000
Foot control panel with 14 functions, cordless	304970-9200-000
Joystick knob	304970-8807-000
Joystick extension	304970-8808-000
C type 1.5 V alkaline-manganese battery 3 batteries required	000000-0035-244
Connecting cable, 3 m	304970-8730-000
Connecting cable, 6 m	304970-8760-000
Adapter plate for operating chair	000000-1117-104


Disinfection - Meliseptol

Description	Cat. No.
1 l MELISEPTOL in vario bottle	000000-0103-907
MELISEPTOL HBV spray, 250 ml	000000-0103-910
MELISEPTOL HBV cloths	000000-0103-911

Disposable gloves

Description	Cat. No.
Size 1 (large) size 8-9	000000-0117-736
Size 2 (medium) size 7-8	000000-0117-737

Approval verification

Description	Identification
ARIB	The foot control panel meets the requirements of ARIB (Association of Radio Industries and Businesses, Japan)
EMC requirements	The foot control panel meets the EMC requirements in accordance with IEC 60601-1-2.
	The foot control panel meets the RFI requirements of Class B.
FCC	The foot control panel meets the requirements of Part 15 of FCC (Federal Communications Commission, USA)
Radio equipment	The foot control panel meets the requirements of EC Directive 1999/5/EC
	The system is marked with 
Medical device	The system meets the essential requirements stipulated in Annex I to Directive 93/42/EEC governing medical devices.

Ambient conditions

For operation

Feature	Admissible range
Temperature	+ 10 °C ... + 40 °C
Relative humidity	30 % ... 75 %
Air pressure	700 hPa ... 1060 hPa

For transportation and storage

Feature	Admissible range
Temperature	- 40 °C ... + 70 °C
Rel. humidity (without condensation)	10 % ... 90 %
Air pressure	500 hPa ... 1060 hPa

Index

A

Acoustic signal	25
Approval verification	59

B

Batteries, depleted	47
Batteries, disposal	54
Batteries, inserting	32
Battery compartment	32
Battery type	32
Bracket	22

C

Checklist for corded foot control panel	43
Checklist for cordless foot control panel	42
Cleaning	52
Connecting cable	22
Connecting cable, not connected	49
Controls	22
Current consumption	56

E

Electrical standard	56
Electromagnetic compatibility	10
Electromagnetic interference	10
EMC requirements of IEC 60601-1-2	10

F

Failure of a function	42, 43
Failure of the cordless foot control panel	46
Foot rest	22

I

Indicator	22, 35
Intended use	8

J	
Joystick	22, 37
L	
Labels on the foot control panel	16
Limit class	10
Longitudinal configuration	22, 26
M	
Malfunction when using multiple foot control panels	35
N	
Normal use	8
Notes on EMC	10
P	
Pairing	34
Power supply	56
Problem	47, 49
R	
Radio frequency radiation in acc. with FCC	10
Radio link	47
Radio signal	47
Rest position	15, 38
Rocker switch	22
S	
Safety	7
Safety standards	7
Service life of batteries	56
Status indicators	22, 24
T	
Target group	8
Technical data	56
Transverse configuration	22, 28
Troubleshooting in the corded foot control panel	49
Troubleshooting in the cordless foot control panel	47

U

Use of multiple foot control panels 35

W

Working position 38, 42



Carl Zeiss Surgical GmbH

A Carl Zeiss Meditec Company
73446 Oberkochen
Germany

Fax.: + 49 (0)7364 - 20 4823

Email: surgical@meditec.zeiss.com

Internet: www.meditec.zeiss.com