

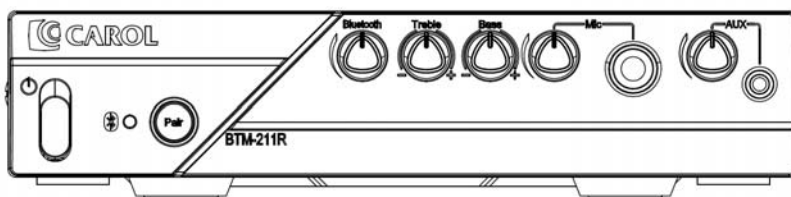
Thank you for selecting BTM-211R Bluetooth Amplifier. It is recommended to read this manual carefully before using to make optimum use of your equipment.

BTM-211R Bluetooth Amplifier, based on the concept of designing for modern lifestyle with new design, elegant shape and fine texture, is suitable personal usage, school, company, organization...etc, or other events that require integrated amplifier equipment with Bluetooth amplifier system.

BTM-211R Bluetooth Amplifier can be connected with microphone, external sound source, and Bluetooth wireless receiver inputs, and then integrated the sounds to class-D amplifier for output. It also inbuilt with Tone adjustment functions for users to adjust Treble and Bass according to their requirement. Moreover, BTM-211R can be used with our BTM Bluetooth Module Series.

1. BTM-211R Product Contents:

- 1.1 BTM-211R Bluetooth Amplifier × 1
- 1.2 International Voltage DC 20V Power Adapter × 1
- 1.3 User's Manual × 1



BTM-211R Bluetooth Amplifier



Power Adapter

2. Parts Identification: (as shown in Figure 2.1, 2.2)

- (1) Power Button: Switches on/off the amplifier, with status LED.
- (2) Bluetooth Connecting LED: Lights up when Bluetooth signal is received
- (3) Bluetooth Pair Button: Turns on/off Bluetooth function and pairing.
- (4) Bluetooth Volume Controller: Controls the output volume of Bluetooth sound source.
- (5) Treble Controller: Adjust the Treble to boost or attenuation.
- (6) Bass Controller: Adjust the Bass to boost or attenuation.
- (7) Microphone Volume Controller: Controls the microphone output volume.
- (8) \varnothing 6.3mm Female Jack: For connecting the microphone (Dynamic microphone only) °
- (9) AUX Volume Controller: Controls the output volume of the external sound source.
- (10) \varnothing 3.5mm Female Jack: For connecting the external sound source.
- (11) Speaker Connector: For connecting the external speaker ($4\Omega\sim 8\Omega$).
- (12) DC Power Receptacle: Connects DC adapter, and the polarity of the central pole is positive.

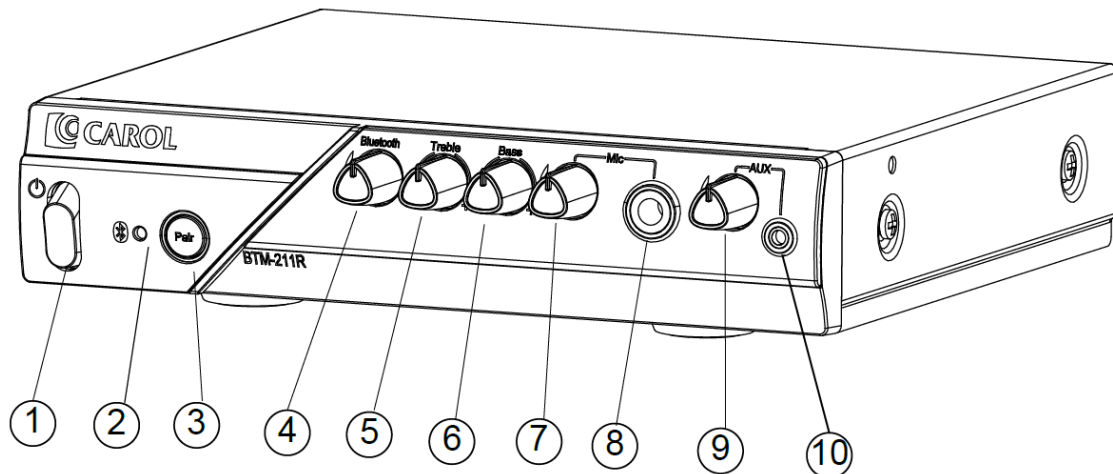


Figure 2.1

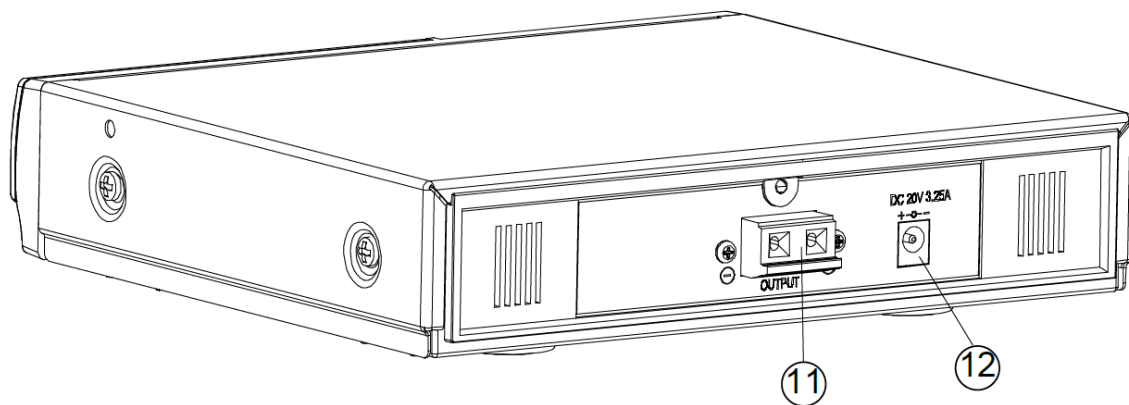


Figure 2.2

3. Operating Instruction:

3.1 Setting up

- 3.1.1 Plug the input end of the DC Power Adapter to a wall outlet, and connect the output end to the DC Power Receptacle on the BTM-211R.
- 3.1.2 Connect the speaker to the Speaker Connector. Red indicates positive, Black indicates negative.
- 3.1.3 Press the BTM-211R's Power Button to turn the power on. The status LED will continually light up green, it indicates the power is on.
- 3.1.4 Now, BTM-211R is ready to be used with sound source from \varnothing 6.3mm Female Jack (microphone), \varnothing 3.5mm Female Jack (external sound source), and Bluetooth. (as shown in Figure 3.1)

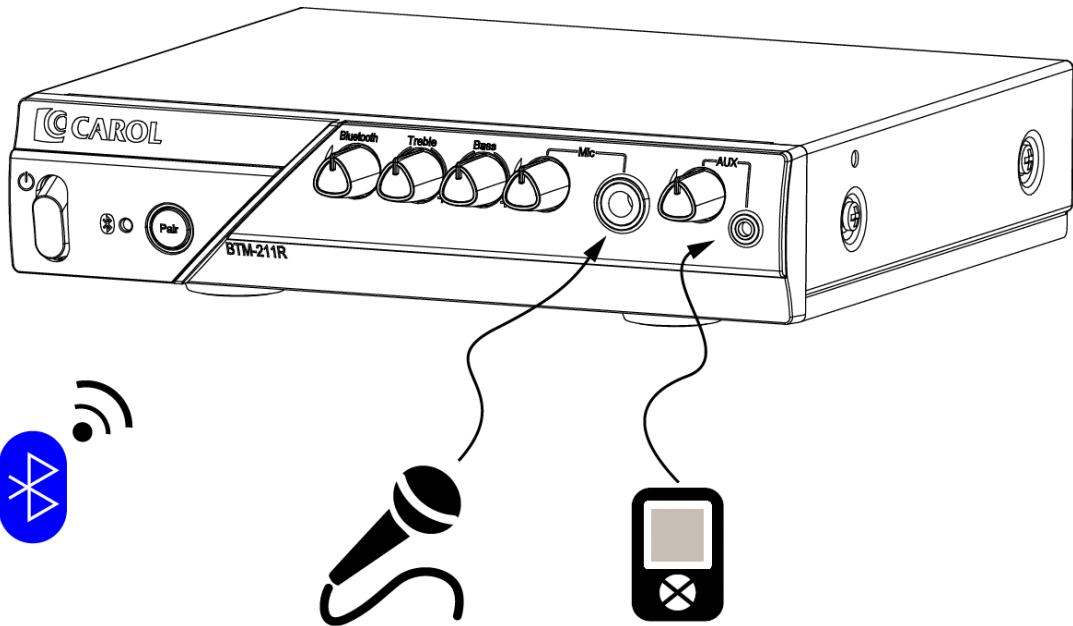


Figure 3.1

3.2 Adjusting the volume and sound quality

3.2.1 The microphone, external sound source and Bluetooth all has its own independent volume controller, so the volumes can be adjusted individually as shown in Figure 3.2.

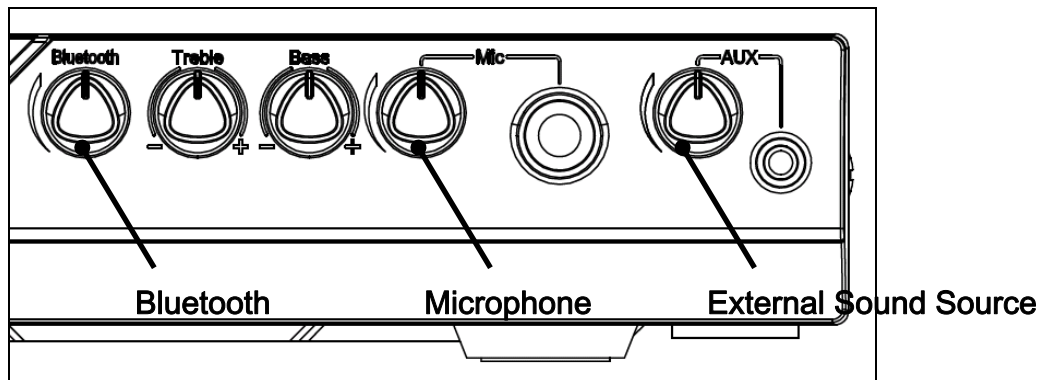


Figure 3.2

3.2.2 Adjust the volume too loud or move the microphone too close to the loudspeaker might cause annoying feedback. When it happens, turn down the volumes to avoid feedback.

3.2.3 BTM-211R has independent Treble and Bass Volume Controllers, so the users are able to adjust the Treble or Bass individually as shown in Figure 3.3.

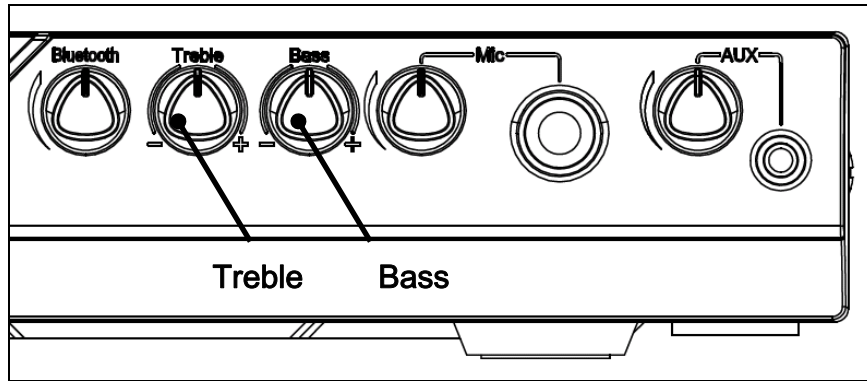


Figure 3.3

3.3 Bluetooth Receiver:

3.3.1 BTM-211R inbuilt a Bluetooth Receiver (RX) for receiving signals from computer, cell phone, or our BTM210C/D, BTM-211T Bluetooth Series.

3.3.2 Device used to connect with BTM-211R, such as computer or cell phone, must equipped with Bluetooth transmission function. Please refer to your device's document.

3.3.3 Bluetooth Receiver can only work with ONE Bluetooth device at a time.

3.4 Bluetooth Receiver Operating Instruction:

3.4.1 When Bluetooth Receiver function is needed, press on the Bluetooth Pair Button (for about 3 seconds) when BTM-211R is on, until the Bluetooth Connecting LED lights up, as shown in Figure 3.4.

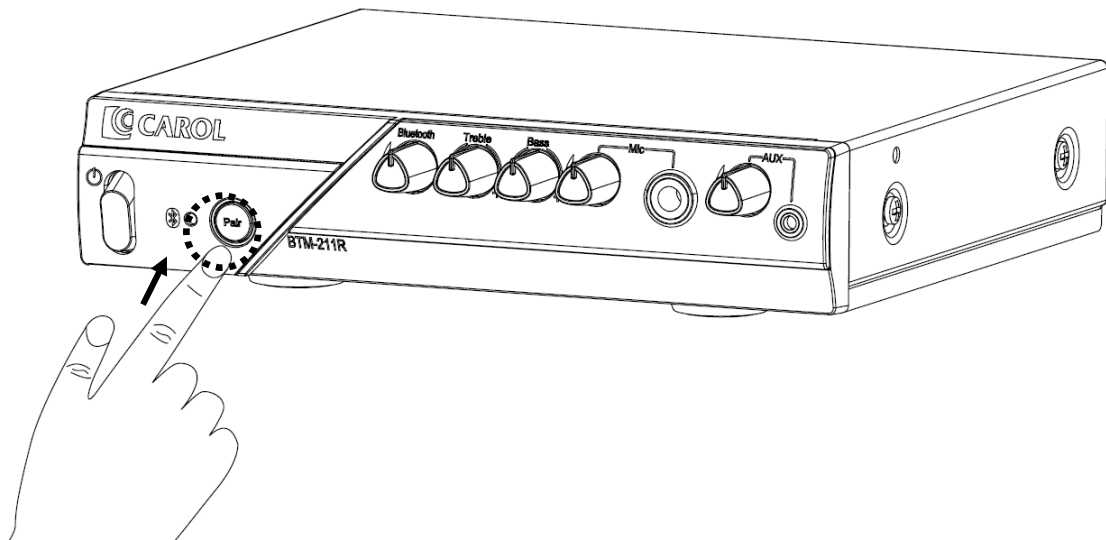


Figure 3.4

3.4.2 Bluetooth Connecting LED signals:

Module	LED signal
Bluetooth Receiver On	Green blinks twice every second
Bluetooth Device Scanning	Green and Red blink in turn every second
Sound Transmission	Green blinks once every 2 seconds

- 3.4.3 When the Bluetooth function is on, it goes into the scanning mode, and the Bluetooth Connecting LED will blink Green and Red in turn every second. At this time, Bluetooth transmission device (such as cell phone or computer) can be used to pair with BTM-211R.
- 3.4.4 To turn off the Bluetooth Receiver, press Bluetooth Pair Button for about 3 seconds. The Bluetooth Connecting LED will blink Red 4 times and then goes off, it indicates the Bluetooth Receiver is now off.
- 3.4.5 If the pairing process does not work, press the Bluetooth Pair Button 5 times to reset the Bluetooth Receiver. When the Bluetooth Connecting LED flashes Red quickly, it indicates the memory has been cleared, and the Bluetooth Receiver will go into the scanning mode (LED blinks Green and Red in turn every second), please repeat the pairing process. To turn off the BTM-211R power, simply press on the Power Button, and when the Power LED goes off, it indicates the power is now off.
- 3.4.6 When connecting a computer or cell phone with BTM-211R, the device name will appear as “CAROL BTM-211R”, and the password is “0000” when needed.
4. Troubleshooting:
- 4.1 Cannot power on: Check if the DC adaptor is well connected.
- 4.2 No sound: Check if the speaker, AUX, and microphone cables are well connected.
- 4.3 Volume too low or too loud: Adjust the Volume Controllers to a suitable level, or adjust the volume on the external sound source device (such as MP3 Player, CD player) / Bluetooth sound source (such as cell phone, computer).
- 4.4 Bluetooth connect failed: It is suggested to delete the existing pairing from cell phone / computer first, and then start a fresh device scan. The existing pairing in BTM-211R also needed to be cleared.
5. Specification:
- 5.1 BTM-211R Bluetooth Amplifier:
Model : BTM-211R
Quiescent Current: 140mA
Power Consumption: 50W (MAX)
Bluetooth Version: Bluetooth V2.1 EDR
Support: Advanced Audio Distribution Profile (A2DP)
Microphone Input: \varnothing 6.3mm Female Jack
External Sound Source Input: \varnothing 3.5mm Female Jack
Output Connector : 2 Pin Speaker Connector, suitable for single driver speaker (4~8 Ω)

Dimension: 210 mm (L) × 206mm (W) × 49.7 mm (H)

Weight: 640g± 50g

5.2 Power Adapter:

Input : AC 100/240V

Output : DC 20V/3.25A

6. FCC INFORMATION

The Federal Communication Commission Radio Frequency Interference Statement includes the following paragraph:

The equipment has been tested and found to comply with the limits for a Class B Digital Device, pursuant to part 15 of the FCC Rules. These limits are designed to provide reasonable protection against harmful interference in a residential installation. This equipment generates, uses and can radiate radio frequency energy and, if not installed and used in accordance with the instruction, may cause harmful interference to radio communication. However, there is no grantee that interference will not occur in a particular installation. If this equipment does cause harmful interference to radio or television reception, which can be determined by turning the equipment off and on, the user is encouraged to try to correct the interference by one or more of the following measures:

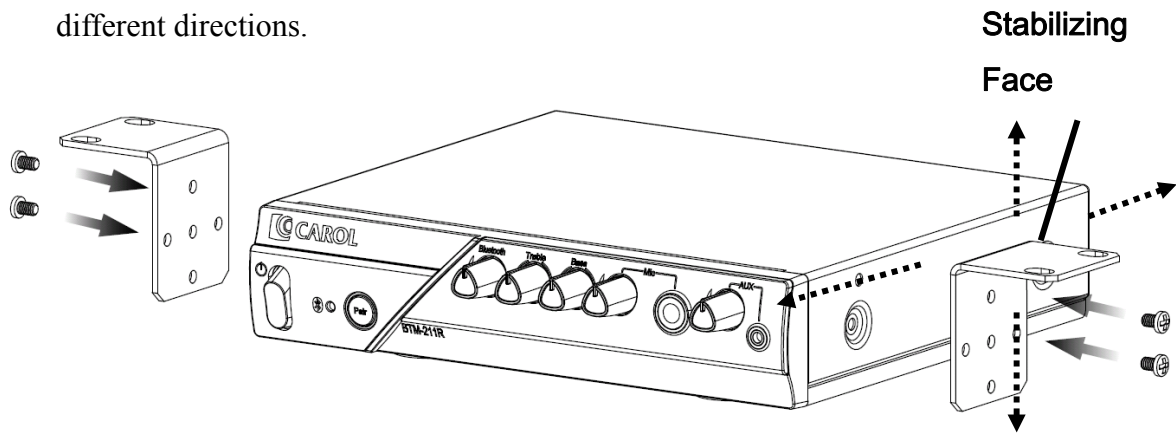
- Reorient or relocate the receiving antenna.
- Increase the separation between the equipment and receiver.
- Connect the equipment into an outlet on a circuit different from that to which the receiver is connected.
- Consult the dealer or an experienced radio/TV technician for help.

The user should not modify or change this equipment without written approval from TAIWAN CAROL ELECTRONICS CO., LTD. Modification could void authority to use this equipment.

IMPORTANT NOTE: To comply with the FCC RF exposure compliance requirements, the antenna(s) used for this transmitter must be installed to provide a separation distance of at least 20 cm from all persons and must not be co-located or operating in conjunction with any other antenna or transmitter. No change to the antenna or the device is permitted. Any change to the antenna or the device could result in the device exceeding the RF exposure requirements and void user's authority to operate the device.

※ Mounting Brackets

- (1) Screw the brackets on left and right sides. The stabilizing face can be adjusted in 4 different directions.



- (2) When the brackets are secured on BTM-211R, mount the brackets with BTM-211R at the intended location.

