

GE
Security

Access
Control

GE616 Proximity Reader



Installation and Operating Manual



Table of Contents

1. Important safety instructions	3
2. Introduction	5
3. Identifying supplied parts	5
4. Specification	6
5. Installation	6
6. Wire Connection to Controller	7
7. Wire Color Table of the Reader	7
8. Operation	8
9. The Maximum Length of the Wiegand Cable	9
10. FCC Registration Information	10
11. Warranty and Service	11

1. Important safety instructions

To prevent injuries to persons and damages to property, please read all the instructions and follow them whenever you deal with this product.

After reading, please put this instruction manual where it can be easily seen for the system operator.

ON INSTALLATION AND POWER

Use 12V DC power ONLY.

- Connecting to higher than 12V DC may result in a risk of electric shock, fire, or heavy damage of the unit.

Do NOT install this product at places with wet or metallic dust, or that can be watered.

- There may be risks of electric shock and fire.

Do NOT install this product near electric motors running.

- The unit may not operate normally.

Do NOT set this product near heaters or anything that produces heat.

- There may be a risk of fire.

Be ALWAYS careful not to short-circuit any part of the circuitry with tools like a screwdriver in hand.

- There may be a risk of fire or heavy damage of the unit.

ON MAINTENANCE

Do NOT use any kind of liquid for cleaning.

- There may be a risk of electric shock, fire or heavy damage of the unit.

Use an air spray, if needed.

Users are cautioned NOT to attempt repair of this product or modify the wirings set by the installer at their own discretion.

- It may pose the risk of fire, hardware damages, or abnormal operations of the unit.

It is recommended not to use a flammable spray or something easy to burn near this product.

- There may be the risk of an explosion or fire.

Keep the unit away from any unauthorized people.

- It may cause abnormal operations of the unit.

NOTICE

Please, contact a designated service center or the outlet at which the product was purchased when

- A. Any liquid has been spilt or sprayed onto the product.

In this case, cut the power off first.

- B. The product seems to be operating abnormally.

- C. The unit exhibits a distinct change in performance.

- D. The unit has fallen to be broken down or damaged on its case.

*** The cost of repairing can be charged for troubles due to the improper handling or negligence of users or the operator.**

2. Introduction

The GE616 is an elegant looking and an attractive 4" read range proximity reader which can be mounted to metal door frame (mullion) or any flat wall surface. The GE616 is epoxy potted that ensure you successful operation even in harsh environments. Two colors LED of green and red, inside Piezo buzzer sound will guarantee you an accurate and reliable system operations.

3. Identifying supplied parts

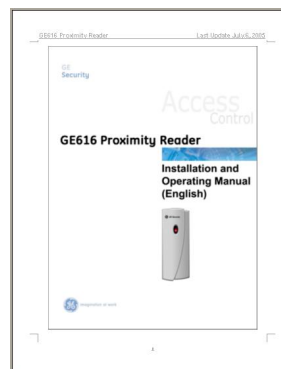
Please unpack and check the contents of the box.



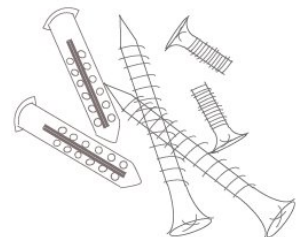
**Reader
Module
(1ea)**



**GE616
Bezel
(1ea)**



**Manual
(1 copy)**



**Screws
(4ea)**

4. Specification

Read Range/Time	Up to 4"(10cm) / 30ms
Input Voltage/Current	DC 5V ~ 17V, Max. 100mA
Output Format	26 bit Wiegand
External Buzzer	Low Active, DC 0 ~ 12V,
Control Input	Max. 50mA
External LED	Low Active, DC 0 ~ 12V,
Control Input	Max. 50mA
LED/Buzzer	2 Color LED (Red and Green) / Piezo Buzzer
Color	Silver
Operating	-31°F ~ 149°F (-35°C ~ +65°C)
Environment	10~90% Humidity, Non-Condensing
Overall Size (WxHxD)	1.82"x4.81"x0.87"(46x122x23mm)
Weight	0.35lb(160g)

5. Installation

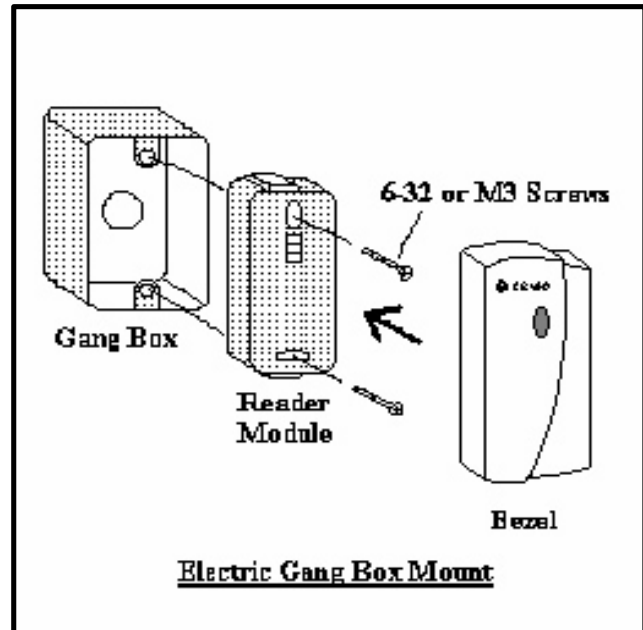
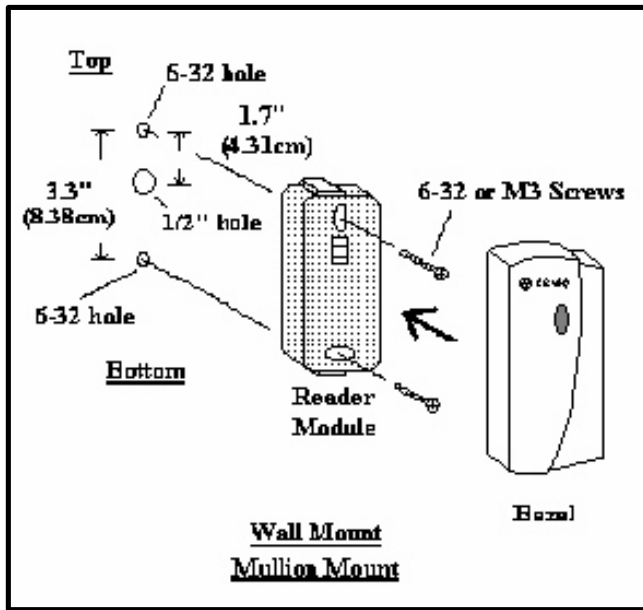
5-1. Mullion/Wall Mount

Drill two 6-32 or M3 holes 3.3"(8.38cm) apart in vertical and drill one 1/2" hole for the reader cable 1.7"(4.31cm) apart from the top hole.

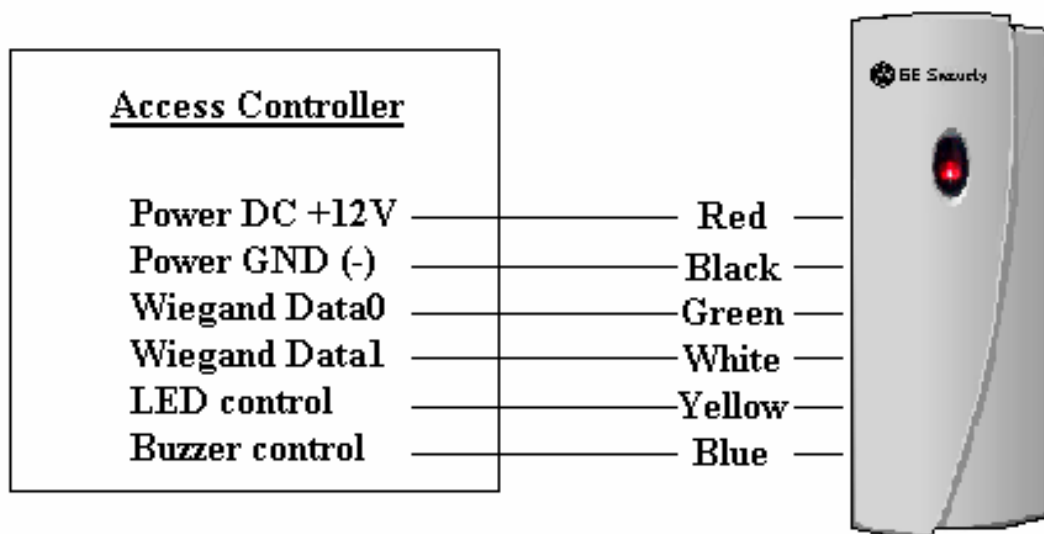
(If you have installed electric gang box then skip this step.)

5-2. Put reader cable into the center hole and install the reader module by using two 6-32 or M3 screws.

5-3. Put bezel into the reader module then push bezel until you hear the locking sound.



6. Wire Connection to Controller



Wire Connection to Controller

7. Wire Color Table of the Reader

POWER

Power(DC +5V~+17V)	DC(+)	Red wire
Power(DC Ground)	DC(-)(GND)	Black wire

INPUT

Buzzer control input	BUZZER	Blue wire
LED control input	LED	Yellow wire

OUTPUT(Wiegand Format)

Wiegand Data-0	Data-0	Green wire
Wiegand Data-1	Data-1	White wire

8. Operation

8-1. Apply power and you can see Red LED is on indicating the reader is in standby.

8-2. Present proximity card to the reader until you hear beep sound and the LED is changing the color to Green simultaneously and the reader send RF card data to the controller then LED changes the color to Red again for next reading.

8-3. LED Control

To change the LED colors, you may connect LED Control Input (Yellow wire) to power ground then the Green LED is on indicating the reader is in standby.

Present proximity card then the LED changes the color to Red simultaneously then Green again for next reading.

8-4. Buzzer Control

When the reader reads proximity card, only one beep sound generates in normal operating mode but you can generate more beep sounds to distinguish whether the access is granted or denied.

To generate more beeps, you may control the Buzzer Control Input(Blue wire) to power ground then you can turn beeper on while you hold Buzzer Control Input to power ground.

9. The maximum length of the Wiegand cable

When use this reader with controller, length of the Wiegand cable is maximum 150m on the following condition.

- Controller and Cable
 - Controller : GE313 or GE314
 - Cable : AWG #22 twisted pair

10. FCC Registration Information

FCC REQUIREMENTS PART 15

Caution: Any changes or modifications in construction of this device which are not expressly approved by the responsible for compliance could void the user's authority to operate the equipment.

NOTE: This device complies with **Part 15 of the FCC Rules**.

Operation is subject to the following two conditions;

1. This device may not cause harmful interface, and
2. This device must accept any interference received, including interference that may cause undesired operation.

This equipment has been tested and found to comply with the limits for a **Class A Digital Device**, pursuant to **Part 15 of the FCC Rules**.

These limits are designed to this equipment generates, uses, and can radiate radio frequency energy and, if not installed and used in accordance with the instructions, may cause harmful interference to radio communications.

However, there is no guarantee that interference will not occur in a particular installation. If this equipment does cause harmful interference to radio or television reception, which can be determined by turning the radio or television off and on, the user is encouraged to try to correct interference by one or more of the following measures.

1. Reorient or relocate the receiving antenna.
2. Increase the separation between the equipment and receiver.
3. Connect the equipment into an outlet on another circuit.
4. Consult the dealer or an experienced radio/TV technician for help.

11. Warranty and Service

TWO YEARS LIMITED WARRANTY AND LIMITATION OF LIABILITY

GE Security warrants that this product will be free of defects in material and workmanship for a period of two years from date of purchase under normal consumer use. Losses caused by modification, improper installation or use, abuse, and acts of God are not covered. GE's obligation is limited to repair or replacement of the defective product at GE's option. This two years Limited Warranty is in lieu of all other warranties, obligations, or liabilities on the part of GE, and GE MAKES NO OTHER WARRANTY, EXPRESS OR IMPLIED, OF MERCHANTABILITY OR FITNESS FOR A PARTICULAR PURPOSE. GE does not, and cannot, know who is present what property is located where this product will be used; it would be extremely difficult to determine the actual damages that may result from a failure of the product to perform as anticipated; and the low price of this product is based upon the nature of the product provided and the limited liability that GE assumes. Accordingly, GE SHALL HAVE NO LIABILITY FOR ANY PERSONAL INJURY, PROPERTY DAMAGE OR LOSS, SPECIAL, INCIDENTAL OR CONSEQUENTIAL DAMAGES, OR OTHER LOSS, AND GE'S MAXIMUM LIABILITY SHALL NOT IN ANY CASE EXCEED THE PURCHASE PRICE OF THE PRODUCT. Any action for breach of any warranty or other obligation must be brought within twenty-four(24) months of the date of purchase. Some states do not allow limitations on how long an implied warranty lasts and/or do not allow the exclusion of incidental or consequential damages, so the above limitations may not apply to you. To obtain repair or replacement information under the terms of this warranty, return the product and proof of purchase along with owner's name and address, postage prepaid to: GE Security, Suites 503-506, 5/F Tower 1, The Gateway, 25 Canton Rd, TST, Kowloon, Hong Kong. This warranty gives you specific legal rights and you may also have other rights, which vary based from location to location.

**The specification contained in this manual are subject to change
without notice at any time.**

GE Security Asia Ltd.

Suites 503-506, 5/F

Tower 1, The Gateway, 25 Canton Rd, TST.

Kowloon, Hong Kong

Tel: +852-28790022

Fax: +852-81472309

