

Models 750/751/754/774/794

Soft Serve Freezers

Operating Instructions

028754-M



2/01/02

Complete this page for quick reference when service is required:

Taylor Distributor: _____

Address: _____

Phone: _____

Service: _____

Parts: _____

Date of Installation: _____

Information found on the data label:

Model Number: _____

Serial Number: _____

Electrical Specs: Voltage _____ Cycle _____

Phase _____

Maximum Fuse Size: _____ A

Minimum Wire Ampacity: _____ A

© February, 2002 Taylor
All rights reserved.
028754-M



*The word Taylor and the Crown design
are registered trademarks in the United States
of America and certain other countries.*

Taylor Company
750 N. Blackhawk Blvd.
Rockton, IL 61072

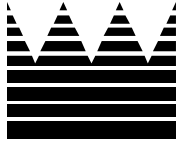


Table of Contents

Section 1	To the Installer	1
	Water Connections (Water Cooled Units Only)	1
	Air Cooled Units	1
	Electrical Connections	1
Section 2	To the Operator	2
	Compressor Warranty Disclaimer	2
Section 3	Safety	3
Section 4	Operator Parts Identification	4
	Model 750	4
	Model 751	5
	Model 754	6
	Model 774	7
	Model 774 Topping Pump	8
	Model 794	9
	Models 750 & 751 Single Spout Door and Beater Assembly	10
	Models 754, 774 & 794 Three Spout Door and Beater Assembly	11
Section 5	Important: To the Operator	12
	Symbol Definitions	12
	Power Switch	13
	MIX LOW Indicator Light	13
	MIX REF Key	13
	STANDBY Key	13
	WASH Key	13
	AUTO Key	13
	Reset Button	14
	Air Tube	14
	Adjustable Draw Handle	14

Section 6	Operating Procedures	15
	Prior to Set-Up (Model 774)	15
	Assembly	15
	Sanitizing	20
	Priming	22
	Closing Procedure	23
	Draining Product From The Freezing Cylinder	23
	Rinsing	23
	Cleaning	23
	Disassembly	24
	Brush Cleaning	24
Section 7	Important: Operator Checklist	25
	During Cleaning and Sanitizing	25
	Troubleshooting Bacterial Count	25
	Regular Maintenance Checks	25
	Winter Storage	26
Section 8	Troubleshooting Guide	27
Section 9	Parts Replacement Schedule	30
Section 10	Parts List	31
	Wiring Diagrams	42

Note: Continuing research results in steady improvements; therefore, information in this manual is subject to change without notice.

Section 1

To the Installer

This machine is designed for indoor use only.



DO NOT install the machine in an area where a water jet could be used to clean or rinse the machine. Failure to follow this instruction may result in serious electrical shock.

Water Connections (Water Cooled Units Only)

An adequate cold water supply must be provided with a hand shut-off valve. On the underside rear of the base pan, two 3/8" I.P.S. (for single-head units) or two 1/2" I.P.S. (for double-head units) water connections for inlet and outlet have been provided for easy hook-up. 1/2" inside diameter water lines should be connected to the machine. (Flexible lines are recommended, if local codes permit.) Depending on local water conditions, it may be advisable to install a water strainer to prevent foreign substances from clogging the automatic water valve. There will be only one water "in" and one water "out" connection for both single-head and double-head units. **DO NOT** install a hand shut-off valve on the water "out" line! Water should always flow in this order: first, through the automatic water valve; second, through the condenser; and third, through the outlet fitting to an **open trap drain**.

Air Cooled Units

The model 750 air cooled unit requires a minimum of 6" (152 mm) of clearance on both sides and 0" in the rear of the unit. The model 751, 754, 774 and 794 units require 3" on all sides. This will allow for adequate air flow across the condenser(s). Failure to allow adequate clearance can reduce the refrigeration capacity of the freezer and possibly cause permanent damage to the compressor.

Electrical Connections

Each freezer requires one power supply for each data label. Check the data label(s) on the freezer for fuse, circuit ampacity and electrical specifications. Refer to the wiring diagram provided inside of the electrical box, for proper power connections.

In the United States, this equipment is intended to be installed in accordance with the National Electrical Code (NEC), ANSI/NFPA 70-1987. The purpose of the NEC code is the practical safeguarding of persons and property from hazards arising from the use of electricity. This code contains provisions considered necessary for safety. Compliance therewith and proper maintenance will result in an installation essentially free from hazard!

In all other areas of the world, equipment should be installed in accordance with the existing local codes. Please contact your local authorities.

Stationary appliances which are not equipped with a power cord and a plug or other device to disconnect the appliance from the power source must have an all-pole disconnecting device with a contact gap of at least 3 mm installed in the external installation.



CAUTION: THIS EQUIPMENT MUST BE PROPERLY GROUNDED! FAILURE TO DO SO CAN RESULT IN SEVERE PERSONAL INJURY FROM ELECTRICAL SHOCK!

Beater rotation must be clockwise as viewed looking into the freezing cylinder of any model freezer.



Note: The following procedures should be performed by a trained service technician.

To correct rotation on a three-phase unit, interchange any two incoming power supply lines at freezer main terminal block only.

To correct rotation on a single-phase unit, change the leads inside the beater motor. (Follow diagram printed on motor.)

Electrical connections are made directly to the terminal block provided in the main control box located under the upper left side panel on the Model 750, or

Section 2

To the Operator

The freezer you have purchased has been carefully engineered and manufactured to give you dependable operation. The Taylor Company soft-serve models covered in this manual consist of the following: 750, 751, 754, 774, and 794.

These units, when properly operated and cared for, will produce a consistent quality product. Like all mechanical products, they will require cleaning and maintenance. A minimum amount of care and attention is necessary if the operating procedures outlined in this manual are followed closely.

This Operator's Manual should be read before operating or performing any maintenance on your equipment.

Your Taylor freezer will NOT eventually compensate for and correct any errors during the set-up or filling operations. Thus, the initial assembly and priming procedures are of extreme importance. It is strongly recommended that personnel responsible for the equipment's operation, both assembly and disassembly, go through these procedures together in order to be properly trained and to make sure that no confusion exists.

In the event you should require technical assistance, please contact your local authorized Taylor Distributor.



If the crossed out wheeled bin symbol is affixed to this product, it signifies that this product is compliant with the EU Directive as well as other similar legislation in effect after August 13, 2005. Therefore, it must be collected separately after its use is completed, and cannot be disposed as unsorted municipal waste.

The user is responsible for returning the product to the appropriate collection facility, as specified by your local code.

For additional information regarding applicable local laws, please contact the municipal facility and/or local distributor.

Compressor Warranty Disclaimer

The refrigeration compressor(s) on this machine are warranted for the term indicated on the warranty card accompanying this machine. However, due to the Montreal Protocol and the U.S. Clean Air Act Amendments of 1990, many new refrigerants are being tested and developed, thus seeking their way into the service industry. Some of these new refrigerants are being advertised as drop-in replacements for numerous applications. It should be noted that, in the event of ordinary service to this machine's refrigeration system, **only the refrigerant specified on the affixed data label should be used.** The unauthorized use of alternate refrigerants will void your compressor warranty. It will be the owner's responsibility to make this fact known to any technician he employs.

It should also be noted that Taylor does not warrant the refrigerant used in its equipment. For example, if the refrigerant is lost during the course of ordinary service to this machine, Taylor has no obligation to either supply or provide its replacement either at billable or unbillable terms. Taylor does have the obligation to recommend a suitable replacement if the original refrigerant is banned, obsoleted, or no longer available during the five year warranty of the compressor.

The Taylor Company will continue to monitor the industry and test new alternates as they are being developed. Should a new alternate prove, through our testing, that it would be accepted as a drop-in replacement, then the above disclaimer would become null and void. To find out the current status of an alternate refrigerant as it relates to your compressor warranty, call the local Taylor Distributor or the Taylor Factory. Be prepared to provide the Model/Serial Number of the unit in question.

We at Taylor Company are concerned about the safety of the operator when he or she comes in contact with the freezer and its parts. Taylor has gone to extreme efforts to design and manufacture built-in safety features to protect both you and the service technician. As an example, warning labels have been attached to the freezer to further point out safety precautions to the operator.



IMPORTANT - Failure to adhere to the following safety precautions may result in severe personal injury. Failure to comply with these warnings may also damage the machine and its components. Component damage will result in part replacement expense and service repair expense.

To Operate Safely:



DO NOT operate the freezer without reading this operator's manual. Failure to follow this instruction may result in equipment damage, poor freezer performance, health hazards, or personal injury.



- **DO NOT** operate the freezer unless it is properly grounded.
- **DO NOT** attempt any repairs unless the main power supply to the freezer has been disconnected.
- **DO NOT** operate the freezer with larger fuses than specified on the freezer data label.

Failure to follow these instructions may result in electrocution or damage to the machine. Contact your local authorized Taylor Distributor for service.



DO NOT use a water jet to clean or rinse the freezer. Failure to follow this instruction may result in serious electrical shock.



- **DO NOT** allow untrained personnel to operate this machine.
- **DO NOT** operate the freezer unless all service panels and access doors are restrained with screws.
- **DO NOT** remove the door, beater and blades, or drive shaft unless all control switches are in the OFF position.
- **DO NOT** put objects or fingers in door spout.

Failure to follow these instructions may result in contaminated product or severe personal injury to fingers or hands from hazardous moving parts.



USE EXTREME CAUTION when removing the beater assembly. The scraper blades are very sharp and may cause injury.



This freezer must be placed on a level surface. Failure to comply may result in personal injury or equipment damage.

DO NOT obstruct air intake and discharge openings:
Counter Model: 6" (152 mm) minimum air space on both sides and 0" on the rear.
Console Models: 3" (76 mm) minimum air space on all sides.

Failure to follow this instruction may cause poor freezer performance and damage to the machine.

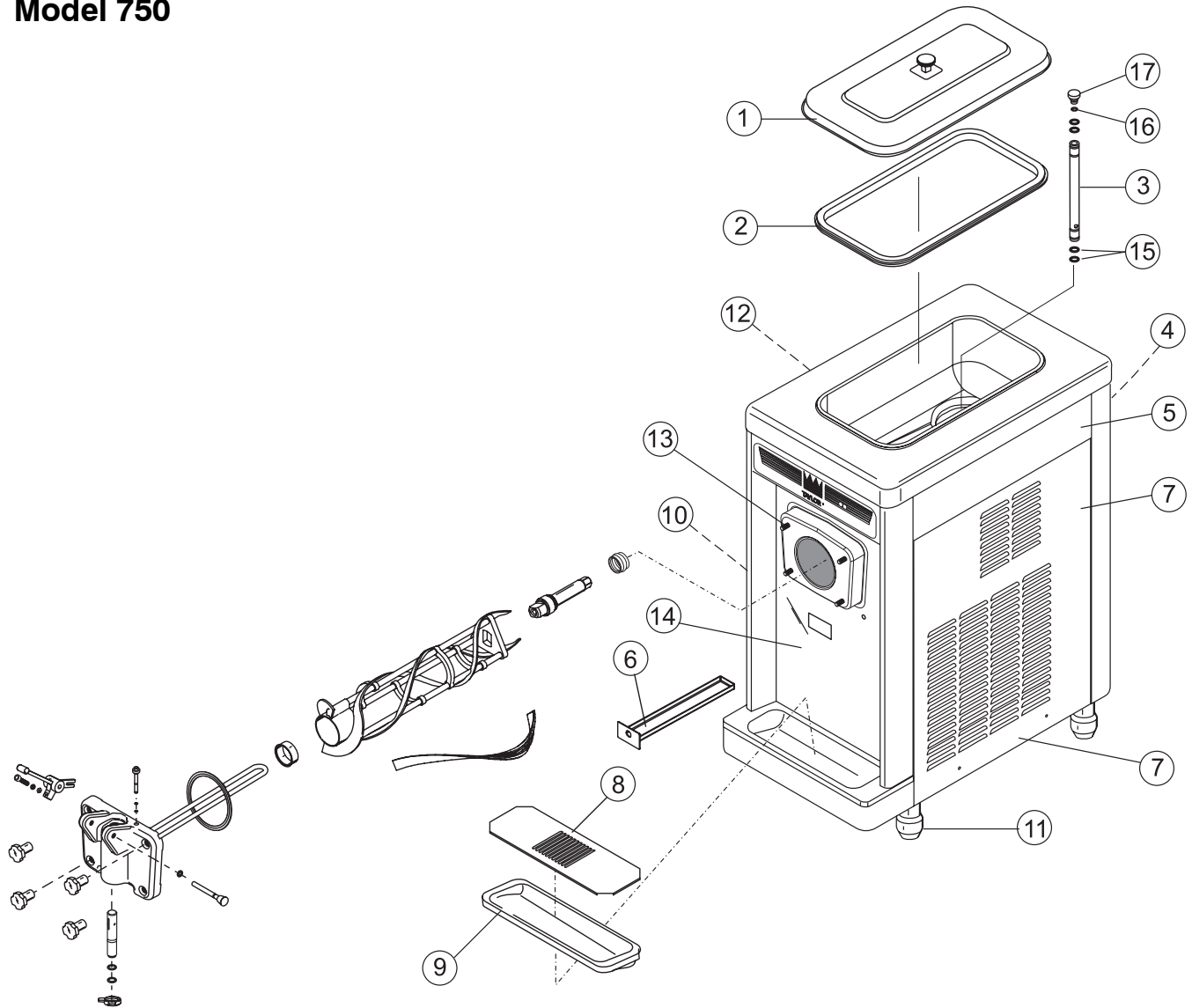
These freezers are designed to operate indoors, under normal ambient temperatures of 70°-75°F (21°-24°C). The freezers have successfully performed in high ambient temperatures of 104°F (40°C) at reduced capacities.

NOISE LEVEL: Airborne noise emission does not exceed 78 dB(A) when measured at a distance of 1.0 meter from the surface of the machine and at a height of 1.6 meters from the floor.

Section 4

Operator Parts Identification

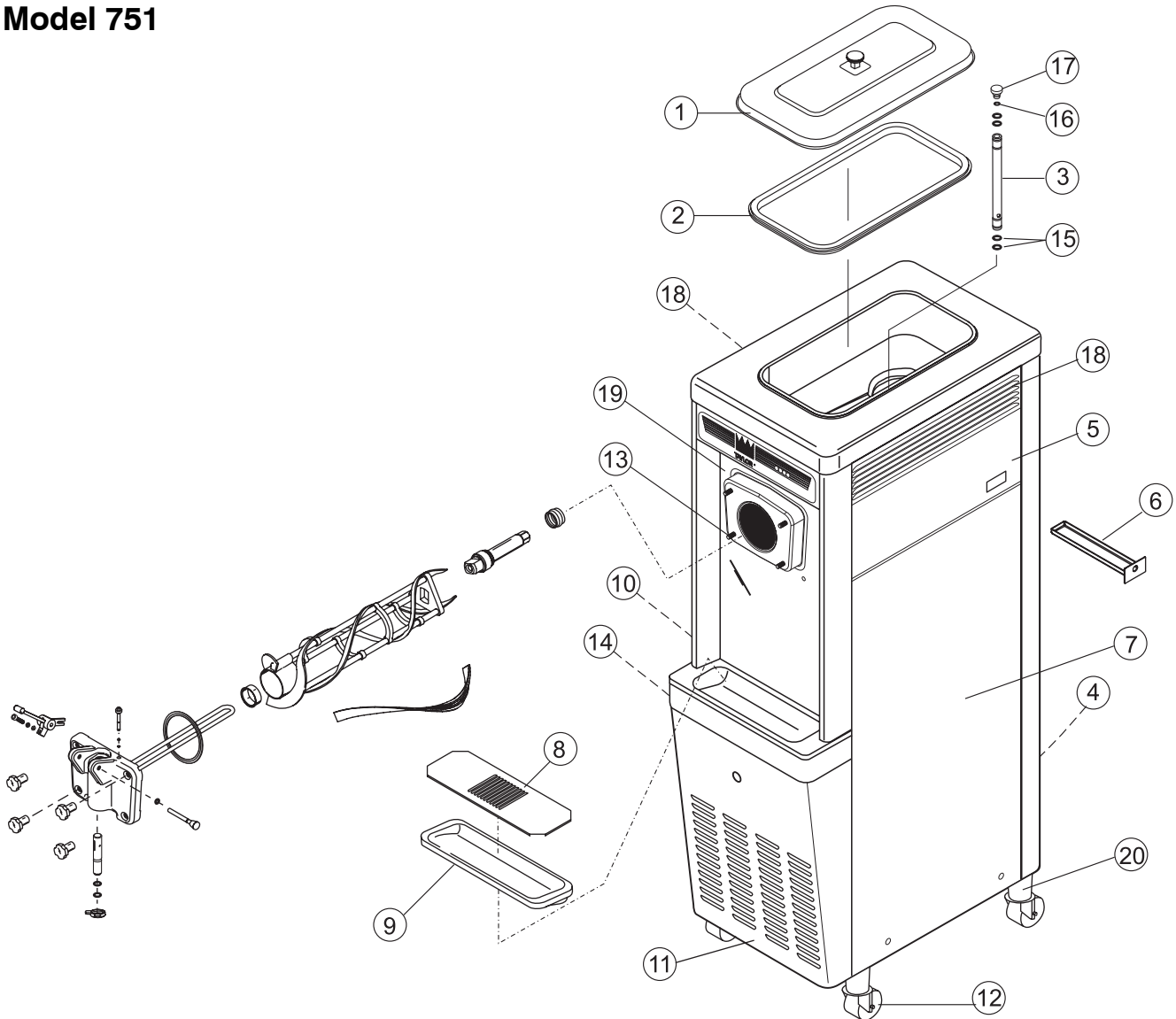
Model 750



Item	Description	Part No.
1	Cover A.-Hopper	X38458
2	Gasket-Hopper Cover	038375
3	Tube A.-Feed	X29429-2
4	Panel-Rear	020891
5	Panel-Upper Side Right	042317
6	Pan-Drip	050766
7	Panel-Right Side	050742
8	Shield-Splash	022763
9	Tray-Drip	013690

Item	Description	Part No.
10	Panel-Side Left	050741
11	Leg-4" SS w/O-Ring	013458
12	Louver-Side-Left	013631
13	Stud-Nose Cone	022822
14	Panel A.-Front	X50754
15	O-Ring-.643 OD x .077 W	018572
16	O-Ring-3/8 OD x .070 W	016137
17	Orifice	022465-100

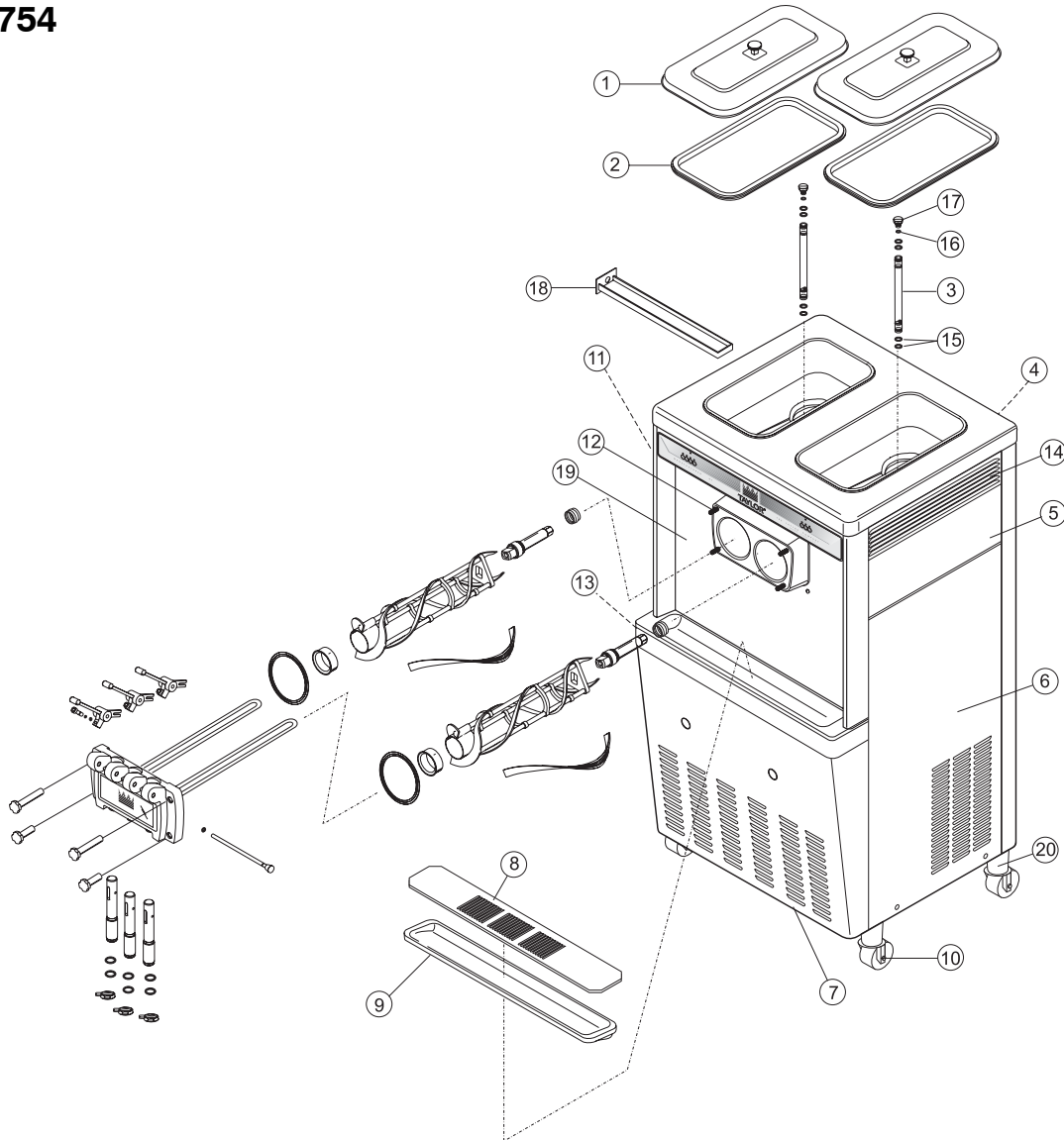
Model 751



Item	Description	Part No.
1	Cover A.-Hopper	X38458
2	Gasket-Hopper Cover	038375
3	Tube A.-Feed	X29429-2
4	Panel-Rear	013637
5	Panel-Upper Side Right	028823
6	Pan-Drip 11-5/8 Long	027503
7	Panel A.-Lower Side Right	X24424
8	Shield-Splash	022763
9	Tray-Drip 14-7/8 x 5-1/8	013690
10	Panel-Upper Side Left	024426

Item	Description	Part No.
11	Panel-Service	047170
12	Caster-Swivel	018794
13	Stud-Nose Cone	022822
14	Panel A.-Side-Lower-Louvered	X39075
15	O-Ring-.643 OD x .077 W	018572
16	O-Ring-3/8 OD x .070 W	016137
17	Orifice	022465-100
18	Louver-Side (Left & Right)	017471
19	Panel A.-Front	X33237
20	Adaptor A.-Caster	X18915

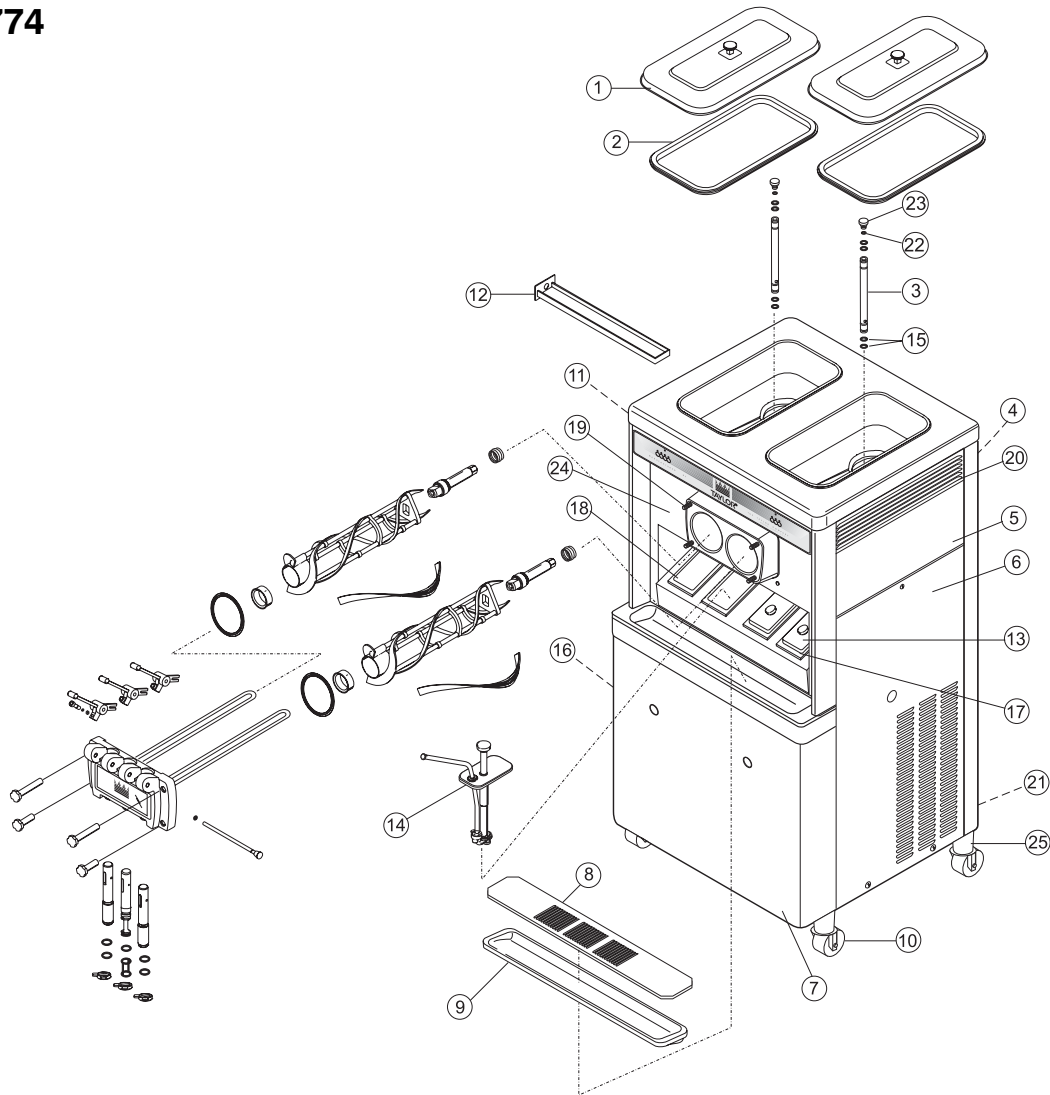
Model 754



Item	Description	Part No.
1	Cover A.-Hopper	X38458
2	Gasket-Hopper Cover	038474
3	Tube A.-Feed	X29429-2
4	Panel-Rear	053782
5	Panel-Upper Side Right	028823
6	Panel A.-Side Lower Right	X46448
7	Panel-Service	046584
8	Shield-Splash	022766
9	Tray-Drip	014533
10	Caster-Swivel	018794

Item	Description	Part No.
11	Panel-Upper Side Left	028822
12	Stud-Nose Cone	022822
13	Panel A.-Side Lower Left	X46447
14	Louver-Side (Left & Right)	017471
15	O-Ring-.643 OD x .077 W	018572
16	O-Ring-3/8 OD x .070 W	016137
17	Orifice	022465-100
18	Pan-Drip 17-1/4" Long	027504
19	Panel A.-Front	X32956
20	Adaptor A.-Caster	X18915

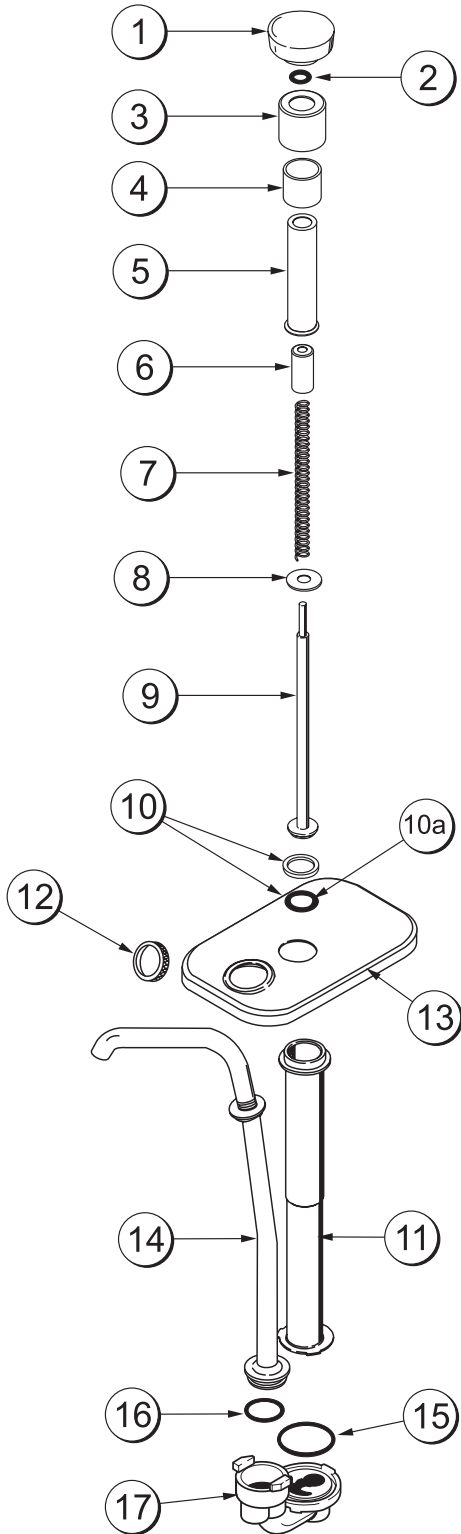
Model 774



Item	Description	Part No.
1	Cover A.-Hopper	X38458
2	Gasket-Hopper Cover	038474
3	Tube A.-Feed	X29429-2
4	Panel-Upper Rear	X42574
5	Panel-Upper Side Right	028823
6	Panel A.-Side Lower-Right	X46448
7	Panel-Service	047077
8	Shield-Splash	022766
9	Tray-Drip	014533
10	Caster-Swivel	018794
11	Panel-Upper Side Left	028822
12	Pan-Drip 17-1/4" Long	027504
13	Lid with Ladle 1 oz.	036575

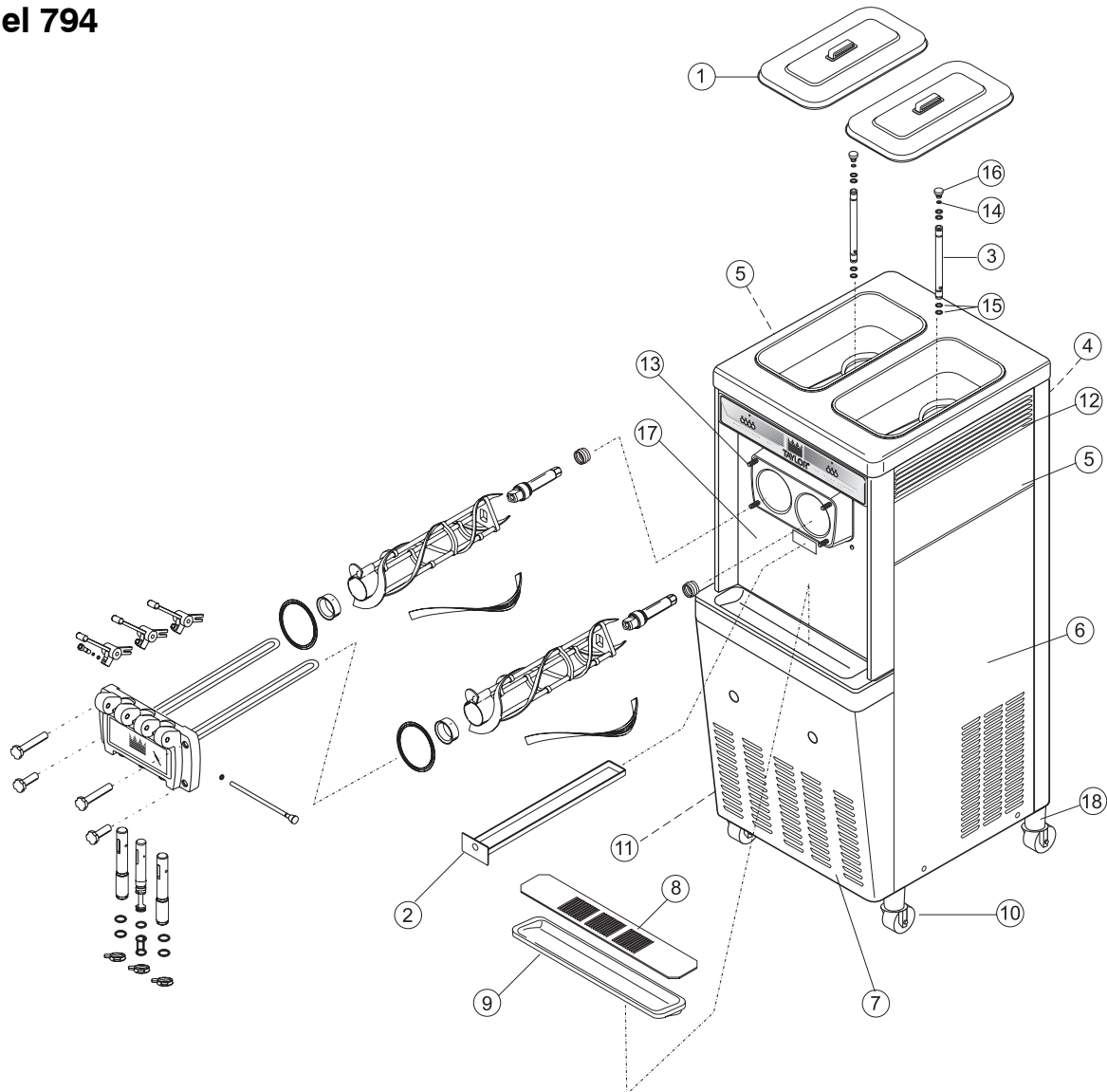
Item	Description	Part No.
14	Pump A.-Syrup-Tan	053794-TAN
15	O-Ring-.643 OD x .077 W	018572
16	Panel A.-Side Lower-Left	X46447
17	Jar-Syrup-Plastic	036573
18	Jar-Syrup-Stainless-Shallow	036574
19	Stud-Nose Cone	022822
20	Louver-Side (Left & Right)	017471
21	Panel-Lower Rear	053837
22	O-Ring-3/8 OD x .070 W	016137
23	Orifice	022465-100
24	Panel A.-Front	X42539
25	Adaptor A.-Caster	X18915

Model 774 Topping Pump (053794-)



ITEM	DESCRIPTION	PART NO.
1	Knob-Plunger-Tan	032762-TAN
1	Knob-Plunger-Brown	032762-BRN
1	Knob-Plunger-Red	032762-RED
2	O-Ring-9/16 OD x .103 W	016369
3	Nut-Plunger	036577
4	Collar-Gaging 1/2 Ounce	035514
5	Tube-Plunger	032757
6	Insert-Plunger	032758
7	Spring-Plunger	032761
8	Washer-Nylon	032760
9	Plunger	036578
10	Seal Assembly	X33057
10a	O-Ring-13/16 OD x .103 W	019330
11	Body-Syrup Pump	047934
12	Nut-Spout	036821
13	Lid-Pump	036822
14	Tube-Discharge	050912
15	O-Ring-1-5/16 OD x .103 W	048149
16	O-Ring-1 OD x .103 W	048148
17	Kit-Valve-Captured Ball Shallow	048166-001
<i>Includes:</i>		
1 - Body A.-Pump Valve		
1 - O-Ring-1-5/16 OD x .103W (048149)		
1 - Brush-cleaning (054068)		
1 - Instruction Sheet-Installation/Cleaning		

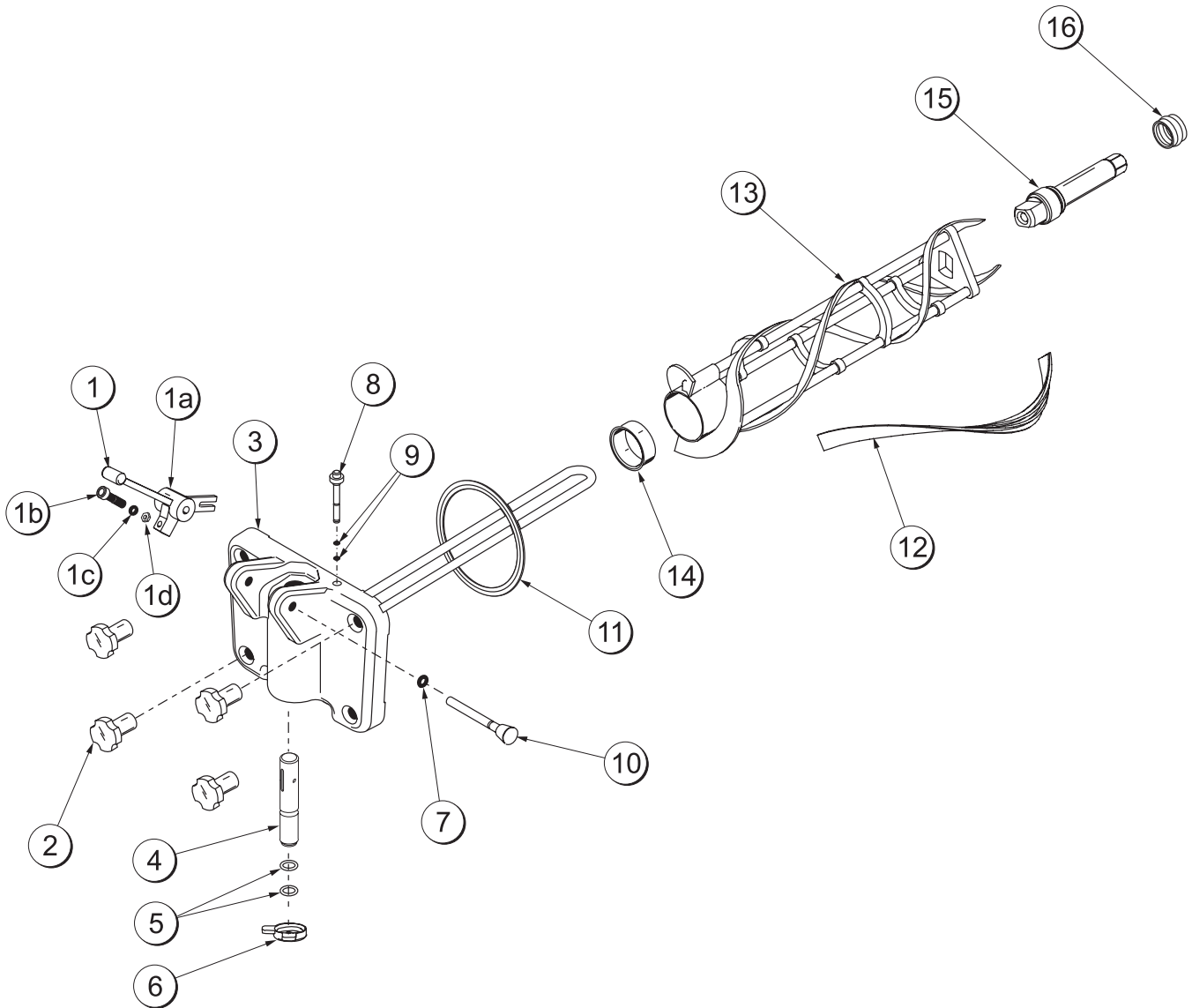
Model 794



Item	Description	Part No.
1	Cover-Hopper 14 Qt. Grey	041682-GRY
2	Pan-Drip 19-1/2 Long	035034
3	Tube A.-Feed	X29429-2
4	Panel-Rear	041855
5	Panel-Upper Side (Left & Right)	024426
6	Panel A.-Side Lower Right	X46448
7	Panel-Service	041856
8	Shield-Splash	022765
9	Tray-Drip	020157

Item	Description	Part No.
10	Caster	018794
11	Panel A.-Side Lower Left	X46447
12	Louver-Side (Left & Right)	017471
13	Stud-Nose Cone	022822
14	O-Ring-3/8 OD x .070 W	016137
15	O-Ring-.643 OD x .077 W	018572
16	Orifice	024465-100
17	Panel A.-Front	X41820
18	Adaptor A.-Caster	X18915

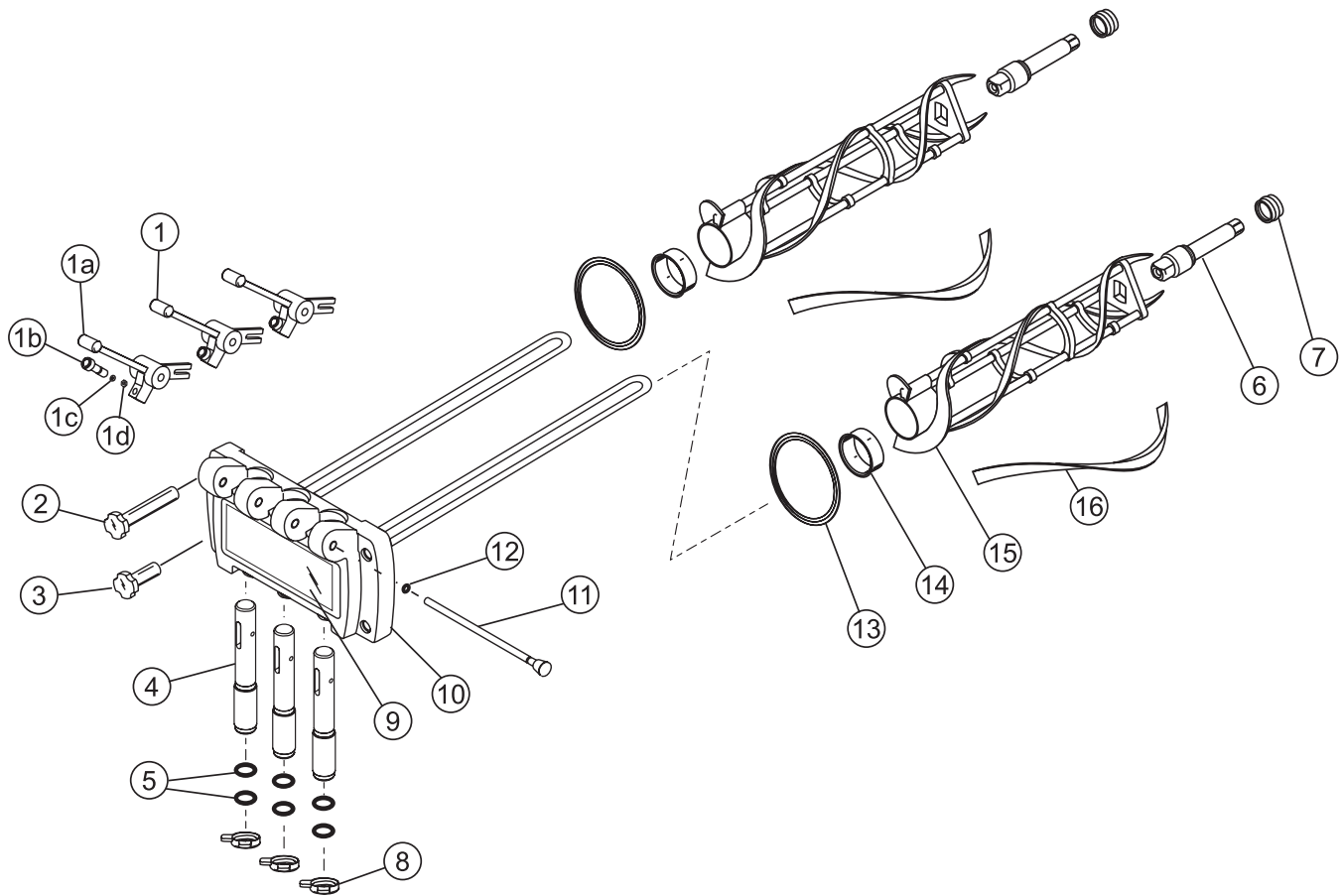
Models 750 & 751 Single Spout Door and Beater Assembly



ITEM	DESCRIPTION	PART NO.
1	HANDLE A. - DRAW	X55096
1a	DRAW HANDLE	028804
1b	SCREW-ADJUST	055092
1c	O-RING 1/4OD X .070W	015872
1d	NUT-JAM	029639-BLK
2	NUT-STUD FLAT LONG	021508
3	DOOR A. - 1-SPOUT	X51531-10
4	VALVE A. - DRAW	X18303
5	O-RING 7/8OD X .070W	014402
6	CAP-DESIGN	014218

ITEM	DESCRIPTION	PART NO.
7	O-RING 5/16OD X .070W	016272
8	PLUG-PRIME	028805
9	O-RING-PRIME PLUG	016137
10	PIN A. - PIVOT	X22820
11	GASKET-DOOR HT 4"	048926
12	BLADE- SCRAPER	035174
13	BEATER A. - HELICORE	X31761
14	BEARING-FRONT	050216
15	SHAFT-BEATER	032564
16	SEAL-DRIVE SHAFT	032560

Models 754, 774 & 794 Three Spout Door and Beater Assembly



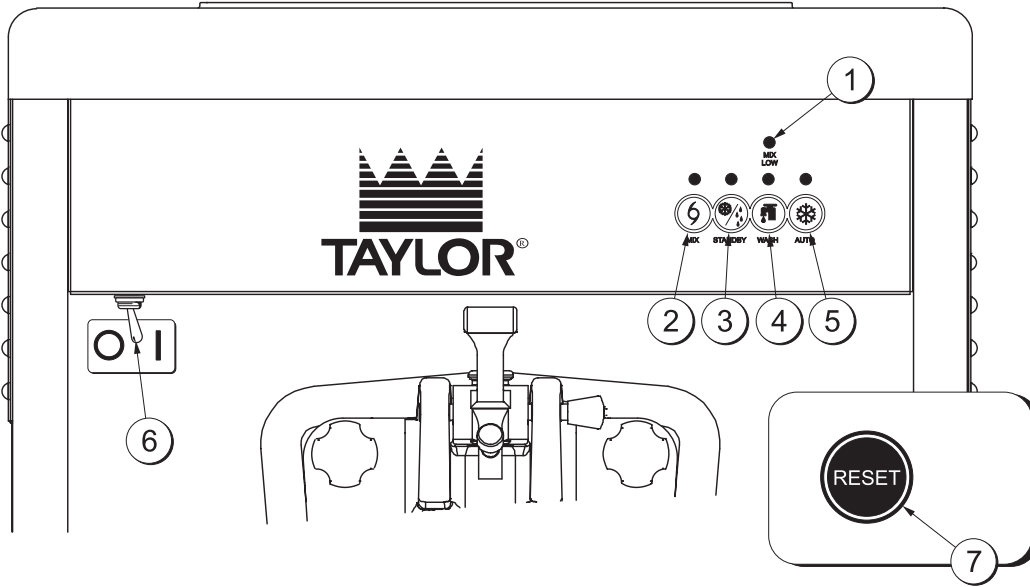
Item	Description	Part No.
1	Handle A.-Draw	X55096
1a	Draw Handle	028804
1b	Screw-Adjustment	055092
1c	O-Ring 1/4 OD x .070 W	015872
1d	Nut-Jam	029639-BLK
2	Nut-Stud Long	034382
3	Nut-Stud Short	034383
4	Valve A.-Draw	X18303
5	O-Ring 7/8 OD x .070 W	014402
6	Shaft-Beater	032564

Item	Description	Part No.
7	Seal-Drive Shaft	032560
8	Cap-Design	014218
9	Decal-Door	021521
10	Door A.-3 Spout	X51532-12
11	Rod A.-Pivot	X20683
12	O-Ring 5/16 OD x .070 W	016272
13	Gasket-Door HT 4"	048926
14	Bearing-Front	050216
15	Beater A.-Helicore	X31761
16	Blade-Scraper	035174

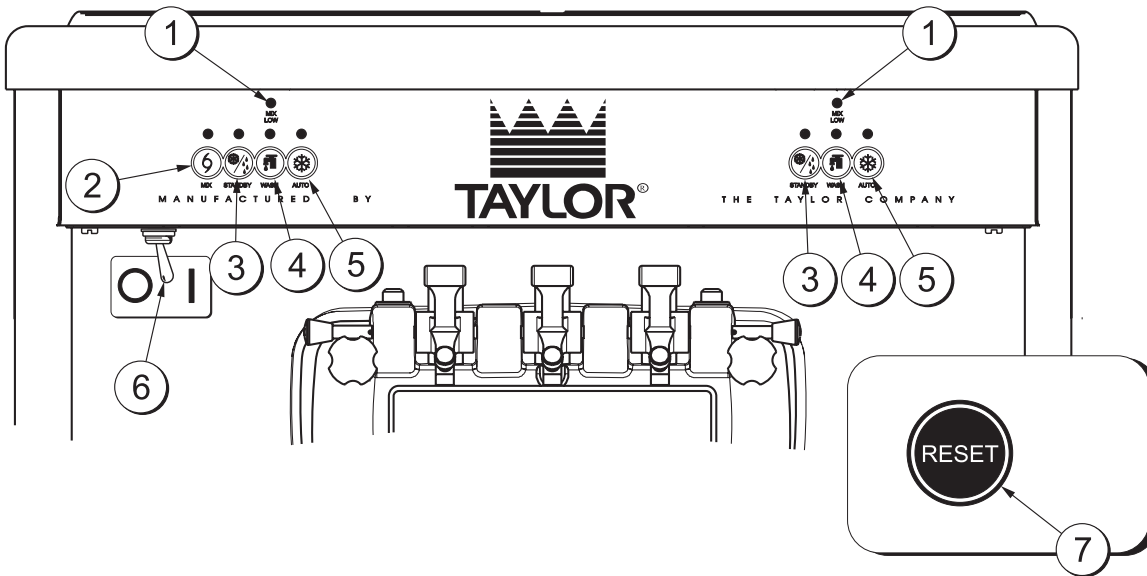
Section 5

Important: To the Operator

750/751



754/774/794



ITEM	DESCRIPTION
1	MIX LOW INDICATOR LIGHT
2	MIX REFRIGERATION KEY
3	STANDBY KEY
4	WASH KEY
5	AUTO KEY
6	POWER ON/OFF (TOGGLE)
7	RESET BUTTON

Symbol Definitions

To better communicate in the International arena, the words on many of our operator switches and keys have been replaced with symbols to indicate their functions. Your Taylor equipment is designed with these International symbols.

The following chart identifies the symbol definitions.

	= OFF
	= ON
	= MIX
	= STANDBY
	= WASH
	= AUTO

Power Switch

When placed in the ON position, the power switch allows SOFTECH control panel operation.

MIX LOW Indicator Light

Located on the front of the machine is a mix level indicating light. When the light is flashing, it indicates that the mix hopper has a low supply of mix and should be refilled as soon as possible. Always maintain at least 3" (7.6 cm) of mix in the hopper. If you neglect to add mix, a freeze-up may occur. This will cause eventual damage to the beater, blades, drive shaft, and freezer door.

MIX REF Key

When the MIX REF key is pressed, the light comes on indicating the mix hopper refrigeration system is operating. For the Models 754, 774, and 794 the MIX REF is controlled by the left side of the freezer as viewed from the operator end. The MIX REF function cannot be cancelled unless the AUTO or STANDBY modes are cancelled first.

STANDBY Key

The Separate Hopper Refrigeration System (SHR) and the Cylinder Temperature Retention System (CTR) are standard features on these machines. The SHR incorporates the use of a separate small refrigeration system to maintain the mix in the hopper below 40° (4.4°C) to assure bacteria control. The CTR works with the SHR to maintain a good quality product. During long "No Sale" periods, it is necessary to warm the product in the freezing cylinder to approximately 35°F to 40°F (1.7°C to 4.4°C) to prevent overbeating and product breakdown.

To activate the SHR and CTR, press the STANDBY key. Remove the air orifice and place the air tube (**end without the hole**) into the mix inlet hole.

When the STANDBY key is pressed, the light comes on, indicating the CTR (Cylinder Temperature Retention System) has been activated. In the STANDBY mode, the WASH and AUTO functions are automatically cancelled. The MIX REF function is automatically locked in to maintain the mix in the hopper.

To resume normal operation, press the AUTO key. When the unit cycles off, the product in the freezing cylinder will be at serving viscosity. At this time, place the air tube (**end with the hole**) into the mix inlet hole and install the air orifice.

WASH Key

When the WASH key is pressed, the light comes on. This indicates beater motor operation. The STANDBY or AUTO modes must be cancelled first to activate the WASH mode.

AUTO Key

When the AUTO key is pressed, the light comes on. This indicates that the main refrigeration system has been activated. In the AUTO mode, the WASH or STANDBY functions are automatically cancelled. The MIX REF function is automatically locked in to maintain the mix in the mix hopper.

Note: An indicating light and an audible tone will sound whenever a mode of operation has been pressed. To cancel any function, press the key again. The light and mode of operation will shut off.

Reset Button

On counter models, the reset button is located on the side of the unit. On console models, the reset button is located in the service panel. The reset protects the beater motor from an overload condition. If an overload occurs, the reset mechanism will trip. To properly reset the freezer, press the AUTO key to cancel the cycle. Turn the power switch to the OFF position. Press the reset button firmly.



Do not use metal objects to press the reset button. Failure to follow this instruction may result in electrocution.

Turn the power switch to the ON position. Press the WASH key and observe the freezer's performance. Open the side access panel. Make sure the beater motor is turning the drive shaft in a clockwise direction (from the operator end) without binding.

If the beater motor is turning properly, press the WASH key to cancel the cycle. Press the AUTO key to resume normal operation. If the freezer shuts down again, contact a service technician. (For Models 754, 774, and 794 press the AUTO key on both sides of the unit to resume normal operation.)

Air Tube

The air tube serves two purposes. One end of the tube has a hole and the other end does not.

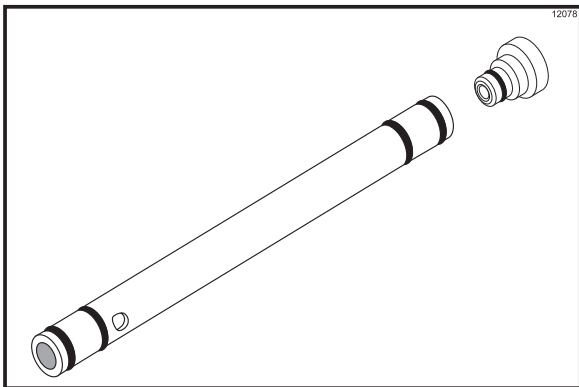


Figure 1

1. After priming the machine, lubricate the o-rings on the air tube (**the end with the hole**) and place it into the mix inlet hole. Every time the

draw handle is raised, new mix and air from the hopper will flow down into the freezing cylinder. This will keep the freezing cylinder properly loaded and will maintain overrun.

2. During long "No Sale" periods, remove the air orifice. Lubricate the o-rings on the air tube (**the end without the hole**), and place it into the mix inlet hole. This will prevent any mix from entering the freezing cylinder.

The air orifice is used to meter a certain amount of air into the freezing cylinder. The air orifice maintains overrun and allows enough mix to enter the freezing cylinder after a draw.

Adjustable Draw Handle

These units feature an adjustable draw handle to provide the best portion control. The draw handle should be adjusted to provide a flow rate of 5 to 7-1/2 oz. (148 to 222 ml) of product per 10 seconds. To INCREASE the flow rate, turn the screw COUNTERCLOCKWISE. Turn the screw CLOCKWISE to DECREASE the flow rate. During "Sanitizing" and "Rinsing", the flow rate can be increased by removing the pivot pin and placing the restrictive bar on the TOP. When drawing product, **always** place the restrictive bar on the bottom.

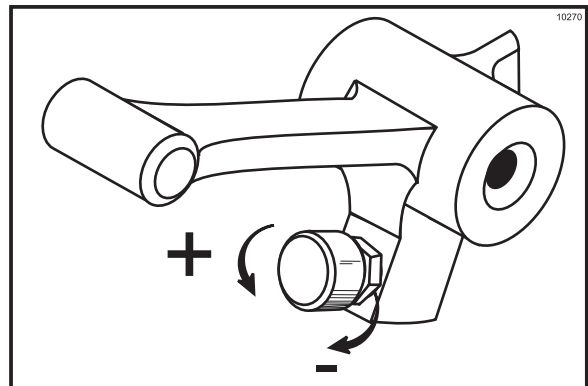


Figure 2

IMPORTANT: Once the draw rate is set, tighten the lock nut with a wrench.

Section 6

Operating Procedures

The Model 751 has been selected to illustrate the step-by-step operating procedures for all models contained in this manual. These models, for all practical purposes of operation, are the same.

Each unit stores mix in a hopper. The mix then flows by **gravity** through an air tube down into the freezing cylinder. They all have 3.4 quart (3.2 liter) capacity freezing cylinders. The Models 750, 751, 754, and 774 have 20 quart (18.9 liter) mix hoppers. The Model 794 has 14 quart (13.2 liter) mix hoppers.

Duplicate the following procedures, where they apply, for the second freezing cylinder on Models 754, 774, and 794.

We begin our instructions at the point where we enter the store in the morning and find the parts disassembled and laid out to air dry from the previous night's cleaning.

These opening procedures will show you how to assemble these parts into the freezer, sanitize them, and prime the freezer with fresh mix in preparation to serve your first portion.

If you are disassembling the machine for the first time or need information to get to this starting point in our instructions, turn to page 24, "Disassembly", and start there.

Prior to Set-Up (Model 774)

Step 1

Remove the two stainless syrup jars with topping pumps from the syrup rail. Check the water level in the heated syrup topping well. Make sure the water is filled to the indicating mark on the bottom of the well. The heated rail should have 32 oz. (946.2 ml) of water.

Step 2

Place the heater switch in the ON position.

Note: This heating process will take approximately 2-1/2 hours to reach temperature. The water level in the topping wells must be checked at least once daily.

Step 3

Prepare a pail of an approved 100 PPM sanitizing solution (example: Kay-5®). **USE WARM WATER AND FOLLOW THE MANUFACTURER'S SPECIFICATIONS.** Sanitize the topping pumps by placing the entire pump assembly in the pail of sanitizing solution. Pump the solution through the assembly to thoroughly sanitize the pump.

Step 4

Remove the two topping pumps. Fill each stainless syrup jar with topping. Replace the topping pumps in the syrup jars.

Assembly

Note: When lubricating parts, use an approved food grade lubricant (example: Taylor Lube).



MAKE SURE POWER SWITCH IS IN THE "OFF" POSITION! Failure to follow this instruction may result in severe personal injury from hazardous moving parts.

Step 1

Install the drive shaft. Lubricate the groove and shaft portion that comes in contact with the bearing on the beater drive shaft. Slide the seal over the shaft and groove until it snaps into place. **DO NOT** lubricate the hex end of the drive shaft. Fill the inside portion of the seal with 1/4" more lubricant and lubricate the flat side of the seal that fits onto the rear shell bearing.

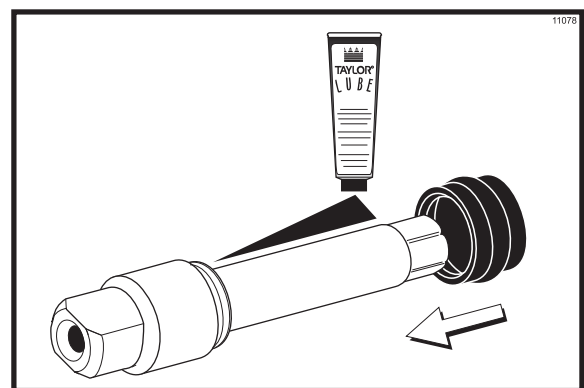


Figure 3

Insert the drive shaft into the freezing cylinder, hex end first, and into the rear shell bearing until the seal fits securely over the rear shell bearing. Engage the hex end firmly into the drive coupling. Be sure the drive shaft fits into the drive coupling without binding.

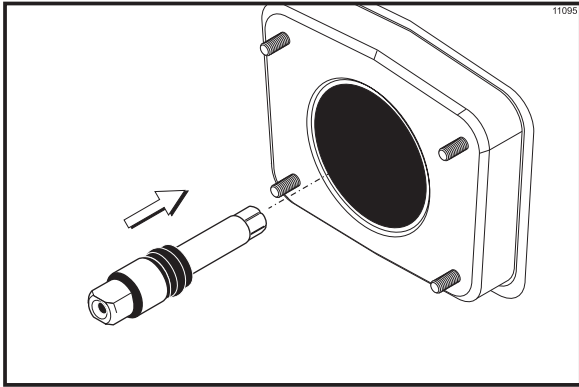


Figure 4

Step 2

Take one of the scraper blades and slip it under the hook at the front of the beater. Wrap the blade around the beater following the helix and pushing the blade down onto the helix as you wrap. At the back end of the beater, slip the blade under the hook. **Repeat this step** for the second scraper blade.

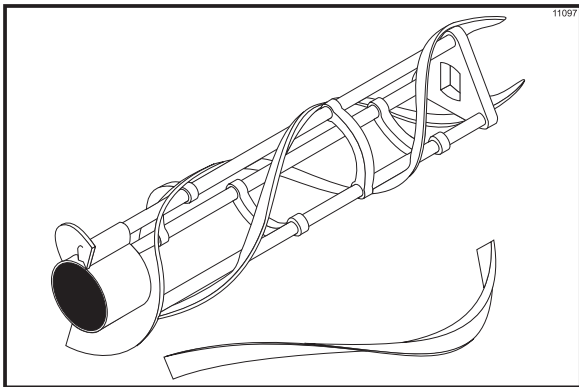


Figure 5

Holding the beater securely, slide the beater one third of the way into the freezing cylinder. Looking into the freezing cylinder, align the hole at the rear of the beater with the flats on the end of the drive shaft.

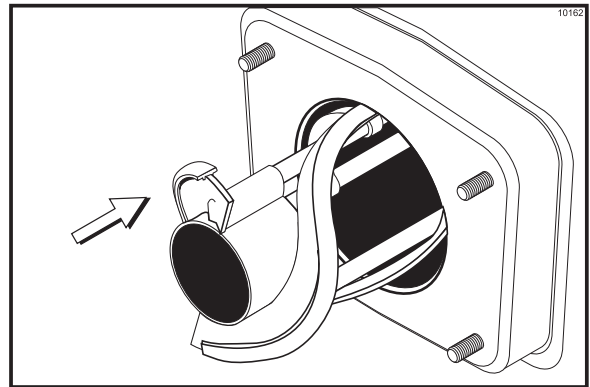


Figure 6

Slide the beater the remainder of the way into the freezing cylinder and over the end of the drive shaft. The beater should fit snugly, but not so tightly that the beater cannot be turned slightly to engage the drive shaft. If the beater slides in too easily with little or no resistance, there will not be enough force against the beater to hold the blades in place. If this is the case, contact your authorized Taylor service technician.

Repeat steps 1 and 2 for the other side of the freezer on Models 754, 774, and 794.

Step 3

Assemble the freezer door. Place the large rubber gasket(s) into the groove(s) on the back side of the freezer door.

Slide the white plastic front bearing(s) over the baffle rod(s) onto the bearing hub(s) making certain that the flanged end of the bearing is resting against the freezer door.

Note: Do not lubricate the gasket(s) or the front bearing(s).

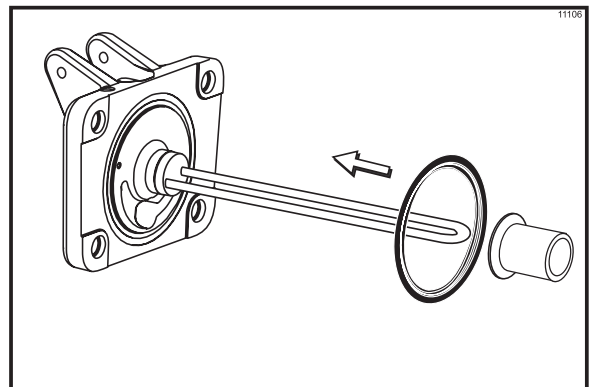


Figure 7

Note: There are two gaskets and two front bearings for the Models 754, 774, and 794 door, one for each freezing cylinder.

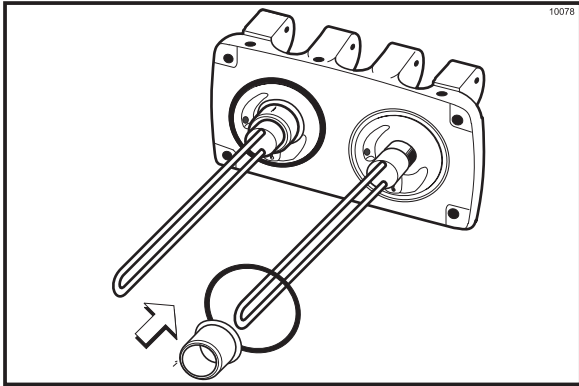


Figure 8

Slide the two o-rings into the grooves on the prime plug(s). Apply an even coat of Taylor Lube to the o-rings and shaft(s).

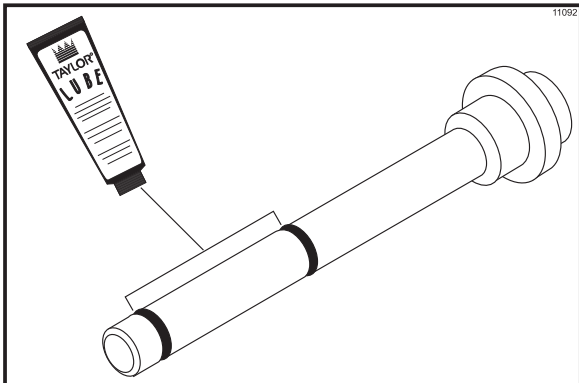


Figure 9

Note: There are two prime plugs for the Models 754, 774 and 794 door, one for each freezing cylinder.

Insert the prime plug(s) into the hole(s) in the top of the freezer door, and push down.

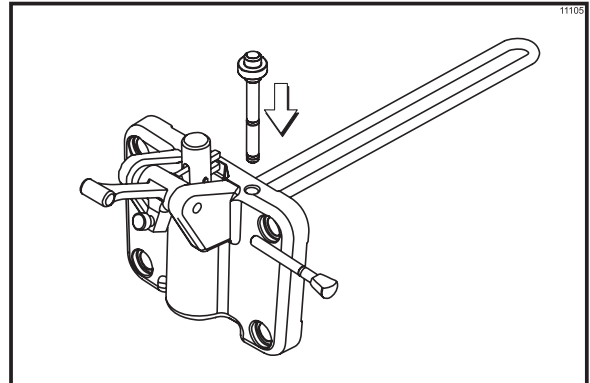


Figure 10

Step 4

Install the freezer door. Insert the baffle rod(s) through the opening in the beater(s) and seat the door flush with the freezing cylinder. With the door seated on the freezer studs, install the handscrews. Tighten equally in a crisscross pattern to insure the door is snug.

Note: On Models 754, 774 and 794, short handscrews go on the bottom and the long handscrews go on top.

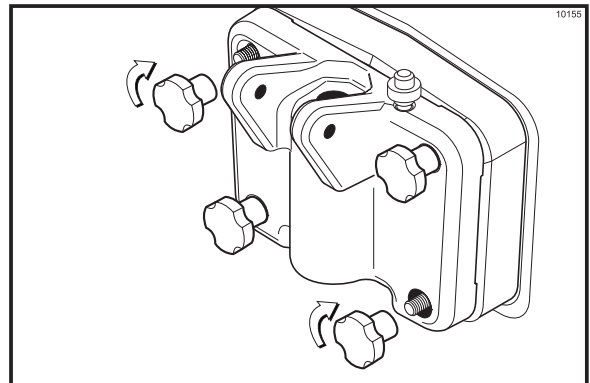


Figure 11

Step 5

Install the draw valve(s). Slide the two o-rings into the grooves on the draw valve(s), and lubricate.

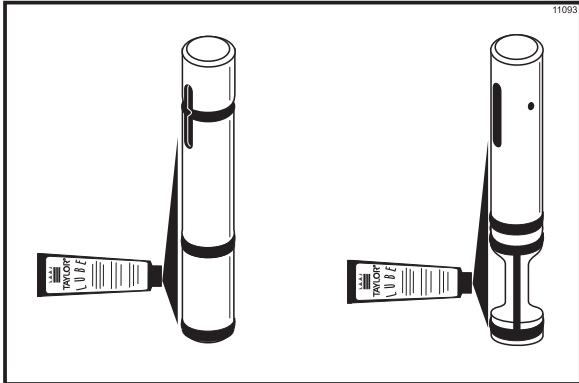


Figure 12

Note: Models 754, 774 and 794 have three draw valves.

Lubricate the inside of the freezer door spout(s), top and bottom, and insert the draw valve(s) from the **bottom** until the slot in the draw valve(s) comes into view.

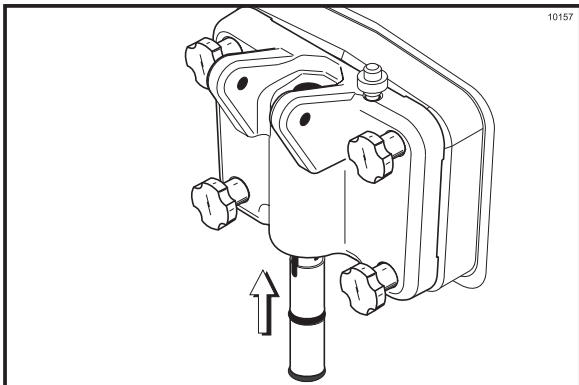


Figure 13

Step 6

Install the adjustable draw handle(s). Slide the o-ring into the groove on the pivot pin, and lubricate.

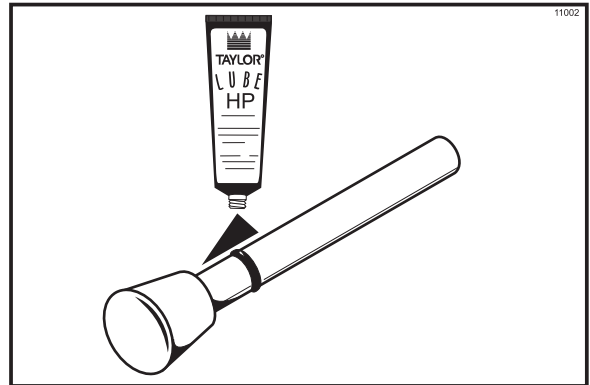


Figure 14

Slide the fork over the bar in the slot of the draw valve. Secure with pivot pin.

Note: Models 754, 774 and 794 have three draw handles. Slide the fork of the draw handle in the slot of the draw valve, starting from the right. Slide the pivot pin through each draw handle as you insert them into the draw valves.

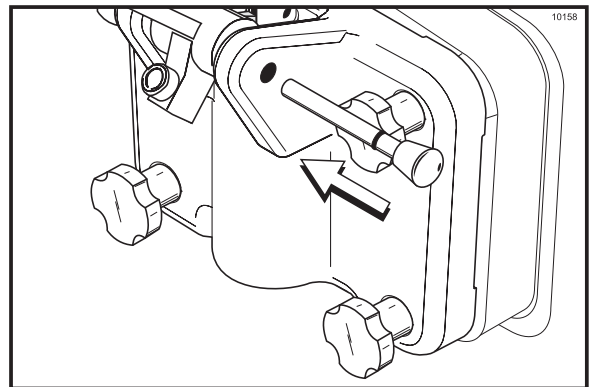


Figure 15

Note: These units feature adjustable draw handles to provide the best portion control. The draw handles can be adjusted for different flow rates. See page 14 for more information on adjusting these handles.

Step 7

Snap the design cap(s) over the end of the door spout(s).

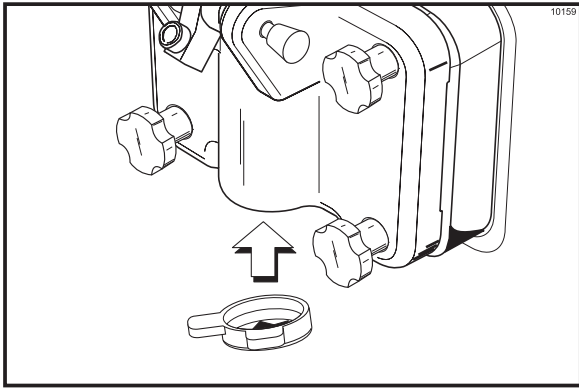


Figure 16

Step 8

Install the front drip tray and the splash shield under the door spout(s).

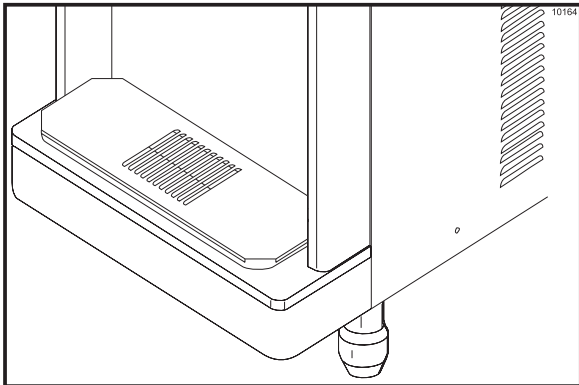


Figure 17

Step 9

Slide the rear drip pan(s) into the hole in the side panel.

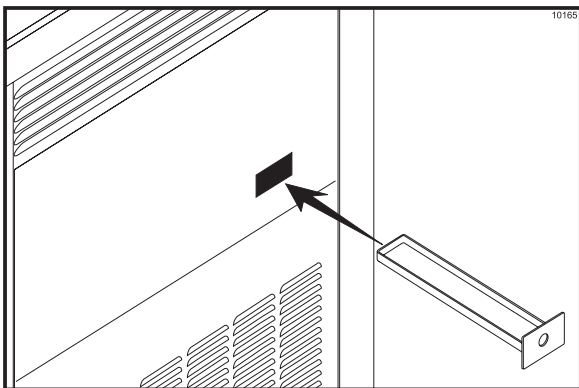


Figure 18

Model 794: Slide the rear drip pan into the hole in the front panel.

Step 10

Slide two o-rings on one end of the air tube. Slide two o-rings on the other end of the air tube.

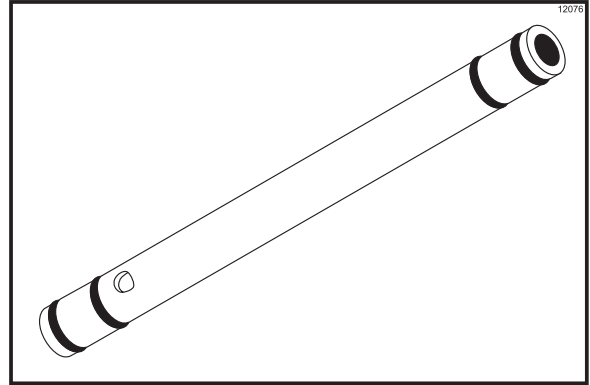


Figure 19

Slide the small o-ring into the groove of the air orifice. Do not lubricate the o-ring.

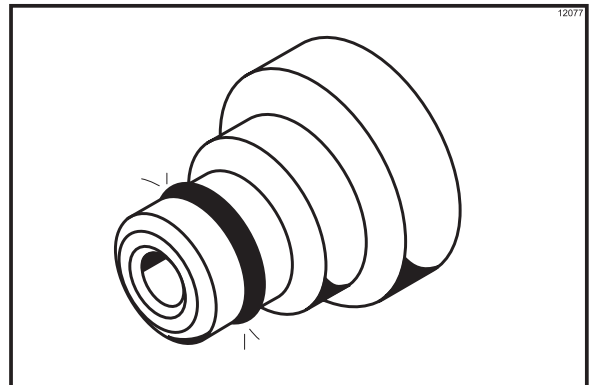


Figure 20

Note: Make sure the hole in the air orifice is clean and is not clogged. If the hole in the air orifice should become clogged, use soap and hot water to clear the hole. **Do not enlarge the hole in the air orifice.**

Install the air orifice into the hole in the top of the air tube (in the end without the small hole on the side).

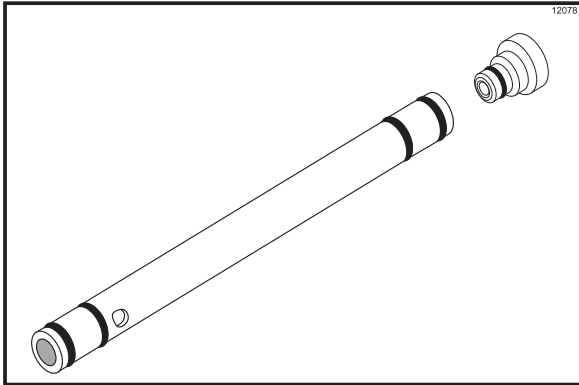


Figure 21

Step 11

Lay the air tube (with the air orifice installed) and the hopper gasket in the bottom of the mix hopper for sanitizing.

Note: The Models 754 and 774 have one hopper gasket for each mix hopper. The Model 794 does not require a hopper gasket.

Repeat steps 10 and 11 for the other side of the freezer on Models 754, 774 and 794.

Sanitizing

Step 1

Prepare two gallons (7.6 liters) of an approved 100 PPM sanitizing solution (example: Kay-5®). USE WARM WATER AND FOLLOW THE MANUFACTURER'S SPECIFICATIONS.

Step 2

Pour the two gallons (7.6 liters) of sanitizing solution into the hopper and allow it to flow into the freezing cylinder.

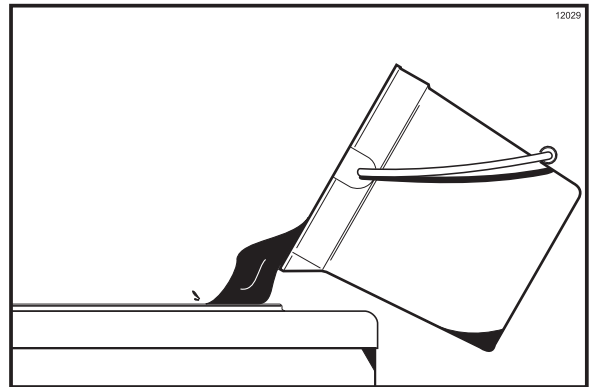


Figure 22

Step 3

While the solution is flowing into the freezing cylinder, brush clean the mix hopper. When cleaning the hopper, take particular care in brushing the mix level sensing probe on the rear wall of the hopper, the mix inlet hole, the air tube, and the hopper gasket.

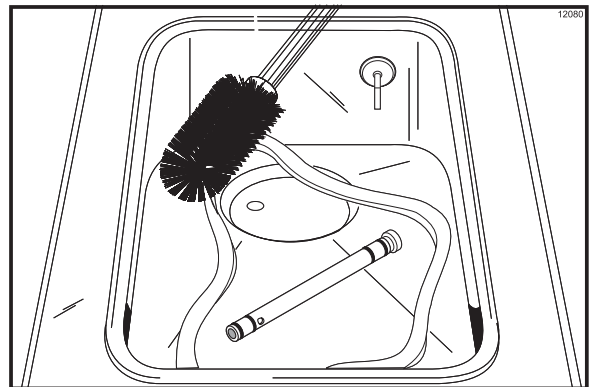


Figure 23

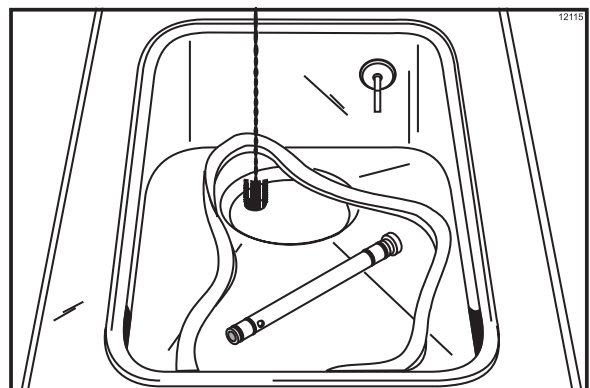


Figure 24

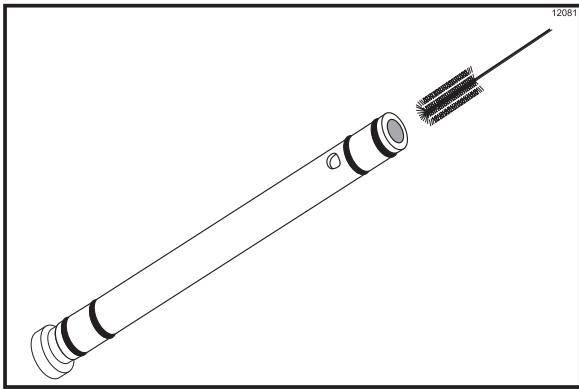


Figure 25

Step 4

Place the power switch in the ON position.

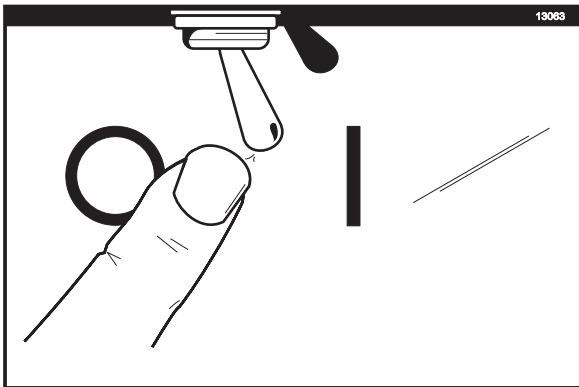


Figure 26

Step 5

Press the WASH key. This will cause the sanitizing solution in the freezing cylinder to agitate. Allow it to agitate for five minutes.

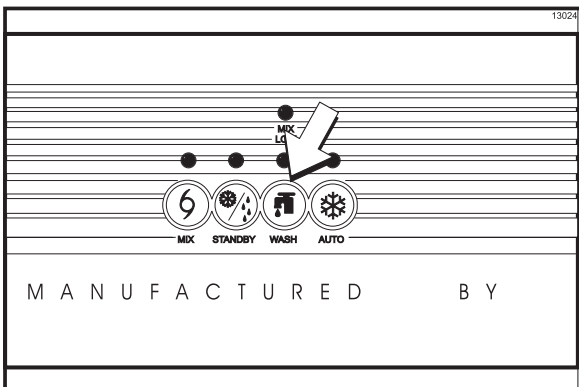


Figure 27

Step 6

Place an empty pail beneath the door spout and raise the prime plug.

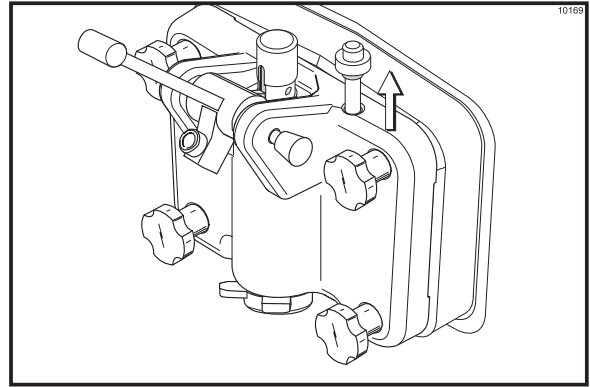


Figure 28

Step 7

When a **steady** stream of sanitizing solution is flowing from the prime plug opening in the bottom of the freezer door, lower the draw handle. Draw off all the sanitizing solution.

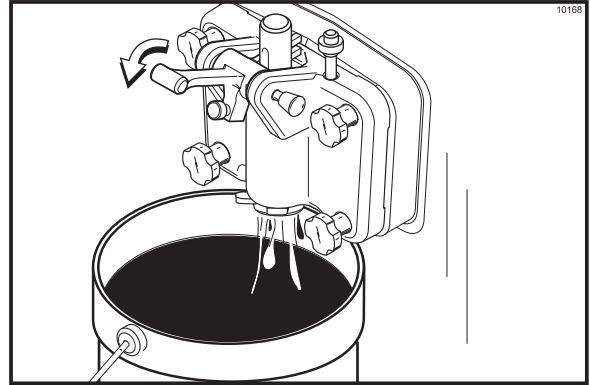


Figure 29

Note: On Models 754, 774 and 794, momentarily pull the center draw handle down to sanitize the center door spout.

Step 8

Once the sanitizer stops flowing from the door spout, raise the draw handle and press the WASH key, cancelling the beater motor operation.

Note: You have just sanitized the freezer. **Be sure your hands are sanitized** before continuing these instructions.

Step 9

Assemble the hopper gasket around the top edge of the mix hopper. Stand the air tube in the corner of the hopper.

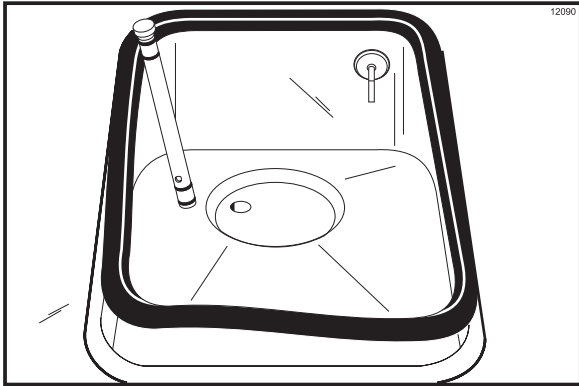


Figure 30

Repeat steps 1 through 9 for the other side of the freezer on Models 754, 774 and 794.

Priming

Step 1

With a pail beneath the door spout, lower the draw handle. Be sure the prime plug is still in the UP position. Pour two gallons (7.6 liters) of fresh mix into the mix hopper and allow it to flow into the freezing cylinder. This will force out any remaining sanitizing solution. When full strength mix is flowing from the door spout, raise the draw handle.

Note: Use only **fresh** mix when priming the freezing cylinder.

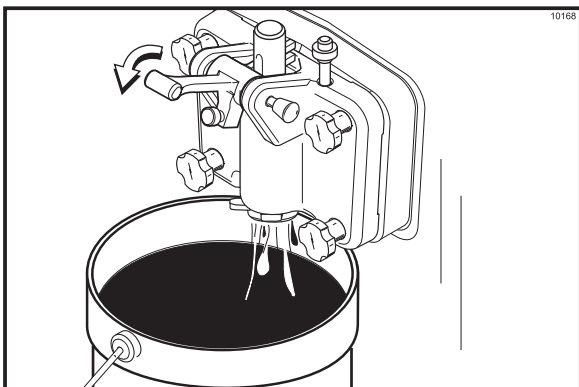


Figure 31

Step 2

Once a **steady** stream of mix starts to flow from the prime plug opening in the bottom of the freezer door, push down the prime plug.

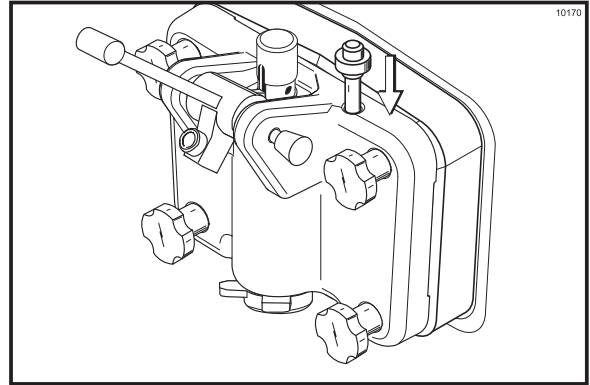


Figure 32

Step 3

Lubricate the o-rings on the air tube on the end with the small hole on the side.

Step 4

Install the air tube (the end with the hole) with the air orifice installed into the mix inlet hole in the mix hopper.

Step 5

Press the AUTO key. The AUTO light will come on indicating the main refrigeration system is operating. When the unit cycles off, the product will be at serving viscosity.

Note: On Models 751, 754, 774, and 794 the MIX REF light will come on, indicating the mix refrigeration system is operating to maintain the mix in the mix hopper.

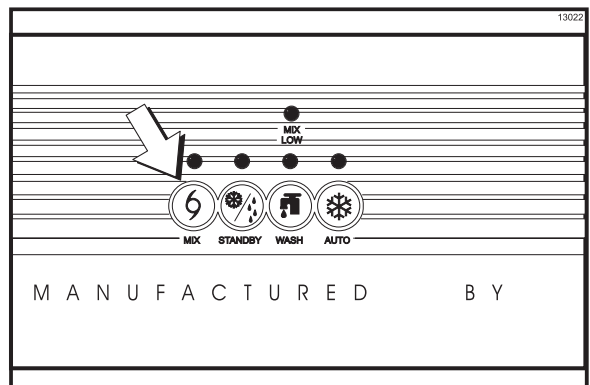


Figure 33

Step 6

Fill the hopper with mix. As the mix level comes in contact with the mix level sensing probe on the rear wall of the hopper, the MIX LOW light will shut off.

Step 7

Place the mix hopper cover in position over the mix hopper.

Repeat steps 1 through 7 for the other side of the freezer on Models 754, 774, and 794.

Closing Procedure

To disassemble your unit, the following items will be needed:

- Two cleaning pails
- Sanitized stainless steel rerun can with lid
- Necessary brushes (provided with freezer)
- Cleaner
- Single service towels

Draining Product From The Freezing Cylinder

Step 1

Press the AUTO key, cancelling compressor and beater motor operation.

Press the MIX REF key, cancelling the mix hopper refrigeration system.

Step 2

Remove the hopper cover, hopper gasket and air tube. Take these parts to the sink for cleaning.

Step 3

With a sanitized pail beneath the door spout, press the WASH key. Lower the draw handle and drain the remaining product from the freezing cylinder and mix hopper.

Step 4

When the flow of product stops, press the WASH key, and raise the draw handle. If local health codes permit, empty the rerun into a sanitized stainless steel can. Cover the container and place it in the walk-in cooler.

Repeat steps 1 through 4 for the other side of the freezer on Models 754, 774 and 794.



ALWAYS FOLLOW LOCAL HEALTH CODES.

Rinsing

Step 1

Pour two gallons (7.6 liters) of **cool** clean water into the mix hopper. With the brushes provided, scrub the mix hopper, mix inlet hole and mix level sensing probe.

Step 2

With a pail beneath the door spout, raise the prime plug and press the WASH key.

Step 3

When a steady stream of rinse water is flowing from the prime plug opening in the bottom of the freezer door, lower the draw handle. Drain all the rinse water from the freezing cylinder, raise the draw handle and press the WASH key cancelling the WASH mode.

Repeat steps 1 through 3 for the other side of the freezer on Models 754, 774 and 794.

Cleaning

Step 1

Prepare two gallons (7.6 liters) of an approved cleaning solution (example: Kay-5®). **USE WARM WATER AND FOLLOW THE MANUFACTURER'S SPECIFICATIONS.**

Step 2

Push down the prime plug. Pour the two gallons (7.6 liters) of cleaning solution into the mix hopper.

Step 3

While the solution is flowing into the freezing cylinder, brush clean the mix hopper, mix level sensing probe, and the mix inlet hole.

Step 4

Press the WASH key. This will cause the cleaning solution in the freezing cylinder to agitate.

Step 5

Place an empty pail beneath the door spout and raise the prime plug.

Step 6

When a steady stream of cleaning solution is flowing from the prime plug opening in the bottom of the freezer door, lower the draw handle. Draw off all of the solution.

Step 7

Once the cleaner stops flowing from the door spout, raise the draw handle and press the WASH key cancelling the WASH mode.

Repeat steps 1 through 7 for the other side of the freezer on Models 754, 774 and 794.

Disassembly



MAKE SURE POWER SWITCH IS IN THE “OFF” POSITION! Failure to follow this instruction may result in severe personal injury from hazardous moving parts.

Step 1

Remove the handscrews, freezer door(s), beater(s), scraper blades, and drive shaft(s) from the freezing cylinder(s). Take these parts to the sink for cleaning.

Step 2

Remove the front drip tray and the splash shield.

Brush Cleaning

Step 1

Prepare a sink with an approved cleaning solution (example: Kay-5®). USE WARM WATER AND FOLLOW THE MANUFACTURER’S SPECIFICATIONS. If another approved cleaner is used, dilute it according to the label instructions. (**IMPORTANT:** Follow the label directions. Too STRONG of a solution can cause parts damage, while too MILD of a solution will not provide adequate cleaning.) Make sure all brushes provided with the freezer are available for brush cleaning.

Step 2

Remove the seal(s) from the drive shaft(s).

Step 3

From the freezer door(s) remove:

- gasket(s)
- front bearing(s)
- pivot pin(s)
- adjustable draw handle(s)
- design cap(s)
- draw valve(s)
- prime plug(s)

Remove all o-rings.

Note: To remove o-rings, use a single service towel to grasp the o-ring. Apply pressure in an upward direction until the o-ring pops out of its groove. With the other hand, push the top of the o-ring forward and it will roll out of the groove and can be easily removed. If there is more than one o-ring to be removed, always remove the rear o-ring first. This will allow the o-ring to slide over the forward rings without falling into the open grooves.

Step 4

Remove the o-rings from the air tube(s) and air orifice(s).

Step 5

Return to the freezer with a small amount of cleaning solution. Brush clean the rear shell bearing(s) at the back of the freezing cylinder(s) with the black bristle brush.

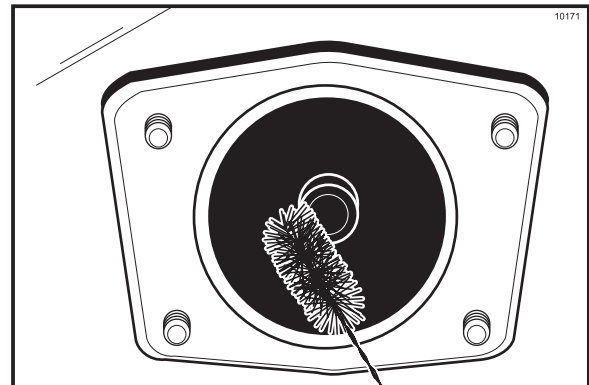


Figure 34

Step 6

Remove the rear drip pan(s) and take to the sink for cleaning.

Note: If the drip pan is filled with an excessive amount of mix, refer to the Troubleshooting Guide.

Step 7

Thoroughly brush clean all disassembled parts in the cleaning solution making sure all lubricant and mix film is removed. Take particular care to brush clean the draw valve core(s) in the freezer door. Place all the cleaned parts on a clean, dry surface to air dry overnight.

Step 8

Wipe clean all exterior surfaces of the freezer.

Section 7 Important: Operator Checklist

During Cleaning and Sanitizing

Cleaning and sanitizing schedules are governed by your State or local regulatory agencies and must be followed accordingly. The following check points should be stressed during the cleaning and sanitizing operations.

WE RECOMMEND DAILY CLEANING AND SANITIZING.



Troubleshooting Bacterial Count

- 1. Thoroughly clean and sanitize machine regularly, including complete disassembly and brush cleaning.
- 2. Use all brushes supplied for thorough cleaning. The brushes are specially designed to reach all mix passageways.
- 3. Use the white bristle brush to clean the mix inlet hole which extends from the mix hopper down to the rear of the freezing cylinder.
- 4. Use the black bristle brush to thoroughly clean the rear shell bearing located at the rear of the freezing cylinder. Be sure to have a generous amount of cleaning solution on the brush.
- 5. IF LOCAL HEALTH CODES PERMIT THE USE OF RERUN, make sure the mix rerun is stored in a sanitized, covered stainless steel container and used the following day. **DO NOT prime the machine with rerun.** When using rerun, skim off the foam and discard. Mix the rerun with fresh mix in a ratio of 50/50 during the days operation.
- 6. On a designated day of the week, run the mix as low as feasible and discard it after closing. This will break the rerun cycle and reduce the possibility of high bacteria and coliform counts.
- 7. Properly prepare the cleaning and sanitizing solutions. Read and follow label directions carefully. Too strong of a solution may damage the parts and too weak of a solution will not do an adequate job of cleaning or sanitizing.
- 8. The temperature of the mix in the mix hopper and walk-in cooler should be below 40°F. (4.4°C.).

Regular Maintenance Checks

- 1. Replace scraper blades that are nicked or damaged. Before installing the beater assembly, be certain that scraper blades are properly attached to the helix.
- 2. Check the rear shell bearing for signs of wear (excessive mix leakage in rear drip pan) and be certain it is properly cleaned.
- 3. Using a screwdriver and cloth towel, keep the rear shell bearing and the female hex drive socket clean and free of lubricant and mix deposits.
- 4. Dispose of o-rings and seals if they are worn, torn, or fit too loosely, and replace with new ones.
- 5. Follow all lubricating procedures as outlined in "Assembly".
- 6. If your machine is air cooled, check the condensers for accumulation of dirt and lint. Dirty condensers will reduce the efficiency and capacity of the machine. Condensers should be cleaned monthly with a soft brush. **Never use screwdrivers or other metal probes to clean between the fins.**



Caution: Always disconnect electrical power prior to cleaning the condenser. Failure to follow this instruction may result in electrocution.

- 7. If your machine is equipped with an auxiliary refrigeration system, check the auxiliary condenser for accumulation of dirt and lint. Dirty condensers will reduce the refrigeration capacity of the mix hopper. Condensers must be cleaned monthly with a soft brush. **Never use screwdrivers or other metal probes to clean between the fins.** Failure to follow this instruction may result in electrocution.



Caution: Always disconnect electrical power prior to cleaning the condenser. Failure to follow this instruction may result in electrocution.

- 8. If your machine is water cooled, check the water lines for kinks or leaks. Kinks can occur when the machine is moved back and forth for cleaning or maintenance purposes. Deteriorated or cracked water lines should be replaced only by an authorized Taylor distributor.

Winter Storage

If the place of business is to be closed during the winter months, it is important to protect the freezer by following certain precautions, particularly if the building is subject to freezing conditions.

Disconnect the freezer from the main power source to prevent possible electrical damage.

On water cooled freezers, disconnect the water supply. Relieve pressure on the spring in the water valve. Use air pressure on the outlet side to blow out any water remaining in the condenser, and then add a liberal amount of permanent type auto anti-freeze. **This is extremely important.** Failure to follow this procedure may cause severe and costly damage to the refrigeration system.

Your local Taylor Distributor can perform this winter storage service for you.

Wrap detachable parts of the freezer such as beater, blades, drive shaft, and freezer door, and place them in a protected dry place. Rubber trim parts and gaskets can be protected by wrapping them with moisture-proof paper. All parts should be thoroughly cleaned of dried mix or lubrication which attract mice and other vermin.

Section 8

Troubleshooting Guide

PROBLEM	PROBABLE CAUSE	REMEDY	PAGE REF.
1. No product is being dispensed with draw valve open and the machine in the AUTO mode.	a. Freeze-up in mix inlet hole.	a. Call service technician to adjust the mix hopper temperature.	---
	b. Beater motor out on reset.	b. Reset the freezer.	14
	c. The beater is rotating counterclockwise from the operator end.	c. Contact service technician to correct rotation to clockwise from operator end.	---
	d. The circuit breaker is off or the fuse is blown.	d. Turn the breaker on, or replace the fuse.	---
	e. There is inadequate mix in the mix hopper.	e. Fill the mix hopper with mix.	22
	f. The air orifice is not installed.	f. Install air orifice in air tube.	22
2. The product is too stiff.	a. The viscosity needs adjustment.	a. Contact service technician.	---
	b. The air orifice is not installed.	b. Install air orifice in air tube.	22
3. The product is too soft.	a. Viscosity needs adjustment.	a. Contact service technician.	---
	b. Not enough air space around unit. (Air cooled units)	b. Allow for adequate air flow across the condenser.	1
	c. Worn scraper blades.	c. Replace regularly.	30
	d. Dirty condenser (A/C)	d. Clean monthly.	25
	e. Mix is out of date.	e. Use only fresh mix.	---
	f. Loss of water. (W/C)	f. Locate cause of water loss and correct.	26
4. The mix in the mix hopper is too cold.	a. The temperature is out of adjustment.	a. Call service technician to adjust the mix hopper temperature.	---

PROBLEM	PROBABLE CAUSE	REMEDY	PAGE REF.
5. The mix in the mix hopper is too warm.	a. The temperature is out of adjustment.	a. Call service technician to adjust the mix hopper temperature.	---
	b. Missing or defective mix hopper gasket.	b. Replace/install the gasket around the mix hopper.	22
	c. The mix hopper cover is not in position.	c. Place the cover in position.	23
	d. The MIX REF light is not lit.	d. Press the MIX REF key.	13
6. The drive shaft is stuck in the drive coupling.	a. Rounded corners of drive shaft, coupling, or both.	a. Call service technician to correct cause, and to replace the necessary components. Do not lubricate the hex end of the drive shaft.	---
	b. Mix and lubricant collected in the drive coupling.	b. Brush clean the rear shell bearing area regularly.	24
7. The freezing cylinder walls are scored.	a. The beater assembly is bent.	a. Call service technician to repair or replace the beater and to correct the cause of insufficient mix in the freezing cylinder.	---
	b. The front bearing is missing or worn on the freezer door.	b. Install or replace the front bearing.	16
8. Excessive mix leakage into the rear drip pan.	a. Missing or worn drive shaft seal on drive shaft.	a. Install or replace regularly.	15 / 30
	b. The rear shell bearing is worn.	b. Call service technician to replace rear shell bearing.	---
9. Excessive mix leakage from door spout.	a. Missing or worn draw valve o-rings.	a. Install or replace regularly.	18 / 30
	b. Inadequate lubrication of draw valve o-rings.	b. Lubricate properly.	18
	c. Wrong type of lubricant is being used (example: petroleum base lubricant).	c. Use the proper lubricant (example: Taylor Lube).	15
10. No freezer operation after pressing the AUTO key.	a. Unit is unplugged.	a. Plug into wall receptacle.	---
	b. The circuit breaker is off or the fuse is blown.	b. Turn the breaker on, or replace the fuse.	---
	c. The beater motor is out on reset.	c. Reset the freezer.	14

PROBLEM	PROBABLE CAUSE	REMEDY	PAGE REF.
11. Product is not feeding into the freezing cylinder.	a. Inadequate level of mix in the mix hopper.	a. Fill the mix hopper with mix.	22
	b. The mix inlet hole is frozen up.	b. The mix hopper temperature needs adjustment. Call service technician.	---
	c. The air tube is installed incorrectly.	c. Install the air tube in the mix inlet hole, using the end with the small hole in the side.	22
	d. The air orifice is not installed.	d. Install the air orifice in the air tube.	22

Section 9

Parts Replacement Schedule

PART DESCRIPTION	EVERY 3 MONTHS	EVERY 6 MONTHS	ANNUALLY
Drive Shaft Seal	X		
Scraper Blade	X		
Freezer Door Gasket	X		
Front Bearing	X		
Draw Valve O-Ring	X		
Pivot Pin O-Ring	X		
Prime Plug O-Ring	X		
Air Tube O-Ring	X		
Air Orifice O-Ring	X		
White Bristle Brush, 3" x 7"		Inspect & Replace if Necessary	Minimum
White Bristle Brush, 1" x 2"		Inspect & Replace if Necessary	Minimum
Black Bristle Brush, 1" x 2"		Inspect & Replace if Necessary	Minimum
Double-Ended Brush		Inspect & Replace if Necessary	Minimum

Refer to Parts List on page 31 when ordering the above parts.

Section 10

Parts List

HP62 Refrigerant: 750 - J6110454, 751 - J6080596, 754 - J6080465, 774 - J6092382, and 794 - J4094101/up

DESCRIPTION	PART NUMBER	750 QTY.	751 QTY.	754 QTY.	774 QTY.	794 QTY.	WARR. CLASS	REMARKS	PARTS UPDATE
ADAPTOR A.-CASTER	X18915		4	4	4	4	103		
BEARING-FRONT	050216	1	1	2	2	2	000		
BEARING-REAR SHELL	031324	1	1	2	2	2	000		
+GUIDE-DRIP SEAL	028992	1	1	2	2	2	000		
+NUT-BRASS BEARING	028991	1	1	2	2	2	000		
+WASHER-BEARING LOCK	012864	1	1	2	2	2	000		
BEATER ASSEMBLY	X31761	1	1	2	2	2	103		
+BLADE-SCRAPER	035174	2	2	4	4	4	000		
BELT-AX40	023875	2					000		
BELT-AX35	022848		2	4			000		
BELT-AX34	025729				4		000		
BELT-AX31	041575					4	000		
BLOCK-TERMINAL-2 P	039422	1	1	2	2	2	103	SINGLE PHASE	
BLOCK-TERMINAL-3 P	039423	1	1	2	2	2	103	THREE PHASE	
SCREW-TERMINAL BLOCK	039420	2	2	4	4	4	000		
BLOWER ASSEMBLY	X53725-27		1				103	751-J9036440/UP-3PH J9053627/UP-1PH	144
MOTOR-BLOWER	053481-27		1				103		
BLOWER ASSEMBLY	X53478-27		1	1	1	1	103	751-PRIOR TO J9036440-3PH, J9053627-1PH	144
BOOT-CAPACITOR	031314		1	1	1	1	000		
CAPACITOR-RUN	033047		1	1	1	1	103		
CLIP-SCREEN BLOWER	053730		4	4	4	4	103		
HOUSING-BLOWER	053727		1	1	1	1	103		
MOTOR-BLOWER	053480-27		1	1	1	1	103		
SCREEN-BLOWER	053729		1	1	1	1	103		
WHEEL-BLOWER	053726		1	1	1	1	103		
BOARD-LOGIC	X36641SER1	1	1	2	2	2	212		
BOARD-POWER	X32326-SER	1	1	2	2	2	212		
FUSE-SLO BLO	051272	1	1	2	2	2	103		
BRUSH-BLACK (1" X 2")	013071	1	1	1	1	1	000		
BRUSH-DOUBLE END	013072	1	1	1	1	1	000		
BRUSH-WHITE (1" X 2")	013073	1	1	1	1	1	000		

+ Available Separately

DESCRIPTION	PART NUMBER	750 QTY.	751 QTY.	754 QTY.	774 QTY.	794 QTY.	WARR. CLASS	REMARKS	PARTS UPDATE
BRUSH-WHITE (3" X 7")	023316	1	1	1	1	1	000		
CABLE-RIBBON	032445	1	1	2		2	103		
CABLE-RIBBON	042599				2		103		
CAP-DESIGN	014218	1	1	3	3	3	000		
CAPACITOR-RUN	051785	1					103	FAN MOTOR - 051744-27	136
CAPACITOR-RUN	019624	1					103	FAN MOTOR - 041401-27	136
CASTER-SWIVEL	018794		4	4	4	4	103		
COMPRESSOR - COPELAND	051958-	1					512	J8108583/UP	136
LINE A.-ACCESS COMPRESSOR	X42513	1					130	COPELAND	136
CAPACITOR-RUN	012906	1					103	230-60-1	
CAPACITOR-START	033044-1	1					103	230-60-1	
RELAY-START COMPRESSOR	051957-27	1					103	230-60-1	
COMPRESSOR - BRISTOL	048727-	1					512	PRIOR TO J8108583	112/136
CAPACITOR-RUN	023606	1					103	230-60-1	
CAPACITOR-START	031790	1					103	230-60-1	
RELAY-START	048765	1					103	230-60-1	
COMPRESSOR - COPELAND	052397-33		1				512	751-J9036440/UP-3PH	144
COMPRESSOR - COPELAND	052397-		1	2	1		512	754-J9036611/UP	141
								774-J9041932/UP	142
								751-J9053627/UP-1PH	144
CAPACITOR-RUN	029439		1	2	1		103	230-60-1	
CAPACITOR-START	031304		1	2	1		103	230-60-1	
RELAY-START	052401-27		1	2	1		103	230-60-1	
COMPRESSOR - BRISTOL	048259-		1	2	2		512	754-PRIOR TO J9036611	141
								774-PRIOR TO J9041932,	142
								751-PRIOR TO J9036440,	144
								J9053627	
CAPACITOR-RUN	012906		1	2	2		103	230-60-1	
CAPACITOR-START	031790		1	2	2		103	230-60-1	
RELAY-START	038145		1	2	2		103	230-60-1	
COMPRESSOR - TECUMSEH	047519-					2	512		
CAPACITOR-RUN	048132					2	103		
CAPACITOR-START	036048					2	103		
RELAY-START	036047					2	103		
COMPRESSOR-AUXILIARY	047701-27	1	1	1	1	1	512		

+ Available Separately

DESCRIPTION	PART NUMBER	750 QTY.	751 QTY.	754 QTY.	774 QTY.	794 QTY.	WARR. CLASS	REMARKS	PARTS UPDATE
CAPACITOR-START	047703	1	1	1	1	1	103		
RELAY-START	047702-27	1	1	1	1	1	103		
COVER-TERMINAL	047739	1	1	1	1	1	103		
CONDENSER-AUXILIARY	027155	1	1	1	1	1	103		
CONDENSER-MAIN	046558	1					103		
CONDENSER-MAIN	048233		1	2	2	2	103		
COUPLING-DRIVE	012721	1	1	2	2	2	103		
COVER A.-MIX HOPPER	X38458-SER	1	1	2	2		103		
+GASKET-MIX HOPPER	038375	1	1				000		
+GASKET-MIX HOPPER	038474			1	1		000		
KNOB-MIX HOPPER	025429	1	1	2	2		103		
COVER-MIX HOPPER	041682-GRY					2	103		
DECAL-DECORATIVE SOFTECH	033230	1	1				000		
DECAL-DECORATIVE SOFTECH	032919			1	1		000		
DECAL-DECORATIVE SOFTECH	045812					1	000		
DECAL-HEATER SWITCH	036551				1		000	"ON-OFF"	
DECAL-CLEAN & SANITIZE	019029	1	1	1	1	1	000		
DECAL-POWER SWITCH - ON/OFF (OLD)	032484			1		1	000	PRIOR TO J8080000 (NEW - SEE LABEL)	132
DECAL-POWER SWITCH - ON/OFF	032484	1	1		1		000		
DECAL-TROUBLESHOOTING	038374	1	1	1	1	1	000		
DEFLECTOR-BLOWER EXHAUST	046586			1	1		103		
DEFLECTOR-BLOWER EXHAUST	047912					1	103		
DIAGRAM-WIRING (NEW)	052613-	1	1				000	W/COPELAND	136/144
DIAGRAM-WIRING (OLD)	050318-	1	1				000	PRIOR TO COPELAND	136/144
DIAGRAM-WIRING	046585-			1	1		000		
DIAGRAM-WIRING	048199-					1	000		
DOOR A.-FREEZER	X51531-10	1	1				103		
+BEARING-FRONT	050216	1	1				000		
+CAP-DESIGN	014218	1	1				000		
+GASKET-DOOR	048926	1	1				000		
DOOR A.-FREEZER	X51532-12			1	1	1	103		
+BEARING-FRONT	050216			2	2	2	000		
+CAP-DESIGN	014218			3	3	3	000		
DECAL-DOOR	021521			1	1	1	000		
+GASKET-DOOR	048926			2	2	2	000		

+ Available Separately

DESCRIPTION	PART NUMBER	750 QTY.	751 QTY.	754 QTY.	774 QTY.	794 QTY.	WARR. CLASS	REMARKS	PARTS UPDATE
DRYER-CAPILLARY	047699	1	1	1	1	1	000	AUXILIARY	
DRYER-FILTER	048901	1	1	2	2	2	000		
GASKET-FREEZER DOOR	048926	1	1	2	2	2	000		
GEAR-REDUCER	021286-SER	1	1	2	2	2	212		
GUIDE A.-DRIP PAN	X50752	1					103		
GUIDE A.-DRIP PAN	X28863		1				103		
GUIDE A.-DRIP PAN	X28699			1	1		103		
GUIDE A.-DRIP PAN	X45691					1	103		
HANDLE A.-ADJUSTABLE DRAW	X26996	1	1				103		
HANDLE-DRAW	028804	1	1				103		
SCREW-ADJUSTABLE	026592	1	1				000	PLASTIC	
O-RING	015872	1	1				000		
HANDLE A.-ADJUSTABLE DRAW	X33687			3	3	3	103	J7090000/UP (REPLACES X26996)	121
HANDLE-DRAW	028804			3	3	3	103		
SCREW-ADJUSTABLE	033662			3	3	3	103	STAINLESS	121
O-RING	015872			3	3	3	000		
HOOD ASSEMBLY	X35565	1	1				103		
HOOD	035434			1	1		103		
JAR-PLASTIC SYRUP	036573			2	2		103		
JAR-STAINLESS SYRUP	036574			2	2		103		
KIT A.-TUNE-UP	X49463-11	1	1				000		
BEARING-FRONT	050216	1	1				000		
CAP-DESIGN	014218	1	1				000		
GASKET-DOOR	048926	1	1				000		
O-RING	018572	4	4				000	AIR TUBE	
O-RING	014402	2	2				000	DRAW VALVE	
O-RING	016272	1	1				000	PIVOT PIN	
O-RING	016137	3	3				000	PRIME PLUG & AIR ORIFICE	
SEAL	032560	1	1				000	DRIVE SHAFT	
TOOL-O-RING REMOVAL	048260-WHT	1	1				000		
KIT A.-TUNE-UP	X49463-4			1	1	1	000		
BEARING-FRONT	050216			2	2	2	000		
CAP-DESIGN	014218			3	3	3	000		
GASKET-DOOR	048926			2	2	2	000		
O-RING	018572			8	8	8	000	AIR TUBE	

+ Available Separately

DESCRIPTION	PART NUMBER	750 QTY.	751 QTY.	754 QTY.	774 QTY.	794 QTY.	WARR. CLASS	REMARKS	PARTS UPDATE
O-RING	014402			5	5	5	000	DRAW VALVE	
O-RING	016272			1	1	1	000	PIVOT PIN	
O-RING	016137			6	6	6	000	PRIME PLUG & AIR ORIFICE	
SEAL	032560			2	2	2	000	DRIVE SHAFT	
SEAL-DRAW VALVE	034698			1	1	1	000	H-RING	
TOOL-O-RING REMOVAL	048260-WHT			1	1	1	000		
LABEL-DOOR-WARN-MOVE PARTS	032749	1	1	1	1	1	000		
LABEL-FLAVOR	036693					1	000	J9036300/UP	
LABEL-SWITCH-POWER-OFF/ON SYMBOLS	052632			1	1	1	000	ON POSITION - RIGHT SIDE	132/142
LABEL-WARN-COVER	051433	4	5	6	7	5	000		
LEG (4" w/O-RING)	013458	4					103		
LID-W/LADLE	036575				2		103		
LOUVER-SIDE (LEFT)	013631	1					103	LEFT	
LOUVER-SIDE	017471		2	2	2	2	103		
LUBRICANT-TAYLOR 4 OZ.	047518	1	1	1	1	1	000		
MAN-OPER	028754-M	1	1	1	1	1	000		
MOTOR-BEATER	021522-	1	1	2	2	2	212		
CAPACITOR-RUN (230-60-1)	027087	1	1	2	2	2	103	MAGNETEK/CENTURY 230-30-1	
CAPACITOR-RUN (230-60-1)	036084	1	1	2	2	2	103	LEESON 230-30-1	
CAPACITOR-START (230-60-1)	028315	1	1	2	2	2	103	MAGNETEK/CENTURY 230-30-1	
CAPACITOR-START (230-60-1)	045862	1	1	2	2	2	103	LEESON 230-30-1	
MOTOR-FAN (CONDENSER)	051744-27	1					103	J8108583/UP (COPELAND)	136
MOTOR-FAN (CONDENSER)	041401-27	1					103	PRIOR TO J8108583	136
+BLADE-FAN (12" PUSH)	047279	1					103		
MOTOR-FAN (w/BLADE)	027309-	1	1	1	1	1	103	SHR	
+BLADE-FAN	033499	1	1	1	1	1	103	SHR	
NUT-JAM-5/16-24	029639-BLK			3	3	3	000	J7090000/UP	121
NUT-STUD (HANDSCREW)	021508	4	4				103	HANDSCREW	
NUT-STUD (LONG)	034382			2	2	2	103	LONG	
NUT-STUD (SHORT)	034383			2	2	2	103	SHORT	
ORIFICE-AIR	022465-100	1	1	2	2	2	103		
O-RING	016137	1	1	2	2	2	000		
PAIL	023348	1					000	6 QT. / 5.7 LITER	
PAIL	013163		1	1	1	1	000	10 QT. / 9.5 LITER	

+ Available Separately

DESCRIPTION	PART NUMBER	750 QTY.	751 QTY.	754 QTY.	774 QTY.	794 QTY.	WARR. CLASS	REMARKS	PARTS UPDATE
PAN-DRIP	050766	1					103		
PAN-DRIP - 11-5/8" LONG	027503		1				103		
PAN-DRIP 17-1/4" LONG	027504			1	1		103		
PAN-DRIP	035034					1	103		
PAN A.-HINGED DRIP	X41844					1	103		
PANEL-REAR	020891	1					103		
PANEL-REAR	013637		1				103		
PANEL-REAR	017563			1			103		
PANEL-REAR	041855					1	103		
PANEL-REAR-LOWER	042577				1		103		
PANEL A.-REAR-UPPER	X42574				1		103		
PANEL-SERVICE	047170		1				103		
PANEL-SERVICE	046584			1			103		
PANEL-SERVICE	047077				1		103		
PANEL-SERVICE	041856					1	103		
PANEL-UPPER RIGHT SIDE	042317	1					103		
PANEL-RIGHT SIDE	050742	1					103		
PANEL-UPPER RIGHT SIDE	028823		1	1	1		103		
PANEL-LOWER RIGHT SIDE	X24424-SER		1				103		
PANEL-LEFT SIDE	050741	1					103		
PANEL A.-LOWER SIDE-LOUVERED-LEFT	X39075-SER		1				103		
PANEL-UPPER SIDE	024426		1			2	103		
PANEL-UPPER SIDE-LEFT	028822			1	1		103		
PANEL A.-LOWER SIDE-LEFT	X46447-SER			1	1	1	103		
PANEL A.-LOWER SIDE-RIGHT	X46448-SER			1	1	1	103		
PANEL A.-FRONT	X50754	1					103		
PANEL A.-FRONT	X33237		1				103		
PANEL A.-FRONT	X32956			1			103		
PANEL A.-FRONT	X42539				1		103		
HEATER-STRIP	023953-4				1		103		
LABEL-TEMPERATURE ADJUSTMENT	030994			1			000		
PLUG-DRAIN	023953-5			1			103		
O-RING	016369				1		000		
THERMOSTAT-ADJUSTABLE	049993				1		103		
THERMOSTAT-HI LIMIT	049992				1		103		

+ Available Separately

DESCRIPTION	PART NUMBER	750 QTY.	751 QTY.	754 QTY.	774 QTY.	794 QTY.	WARR. CLASS	REMARKS	PARTS UPDATE
PANEL A.-FRONT	X41820					1	103		
PIN A.-PIVOT	X22820	1	1				103		
+O-RING	016272	1	1				000		
PIN A.-PIVOT	X20683			1	1	1	103		
+O-RING	016272			1	1	1	000		
PLATE-DECORATIVE	033239	1	1				103		
PLATE-DECORATIVE	032961			1	1		103		
PLATE-DECORATIVE	041854					1	103		
PLUG-DRIP TRAY HOLE	029595			1	1		000		
PLUG-PRIME	028805	1	1	2	2	2	103		
+O-RING	016137	2	2	4	4	4	000		
PROBE A.-MIX	X30922	1	1	2	2	2	103		
+DISC	030965	1	1	2	2	2	103		
+SPACER	030966	1	1	2	2	2	103		
PROBE A.-THERMISTOR - HOPPER	X50717	1	1	1	1	1	103	794 - J8110000/LP	136
PROBE A.-THERMISTOR - HOPPER	X34466					1	103	PRIOR TO J8110000	136
PROBE A.-THERMISTOR - BARREL	X31602	1	1	2	2	2	103		
PULLEY (BEATER MOTOR)	016403	1	1	2	2	2	103	BEATER MOTOR	
PULLEY (GEAR)	027822	1	1	2	2	2	103	GEAR	
PUMP A.-SYRUP TAN CAPTIVE BALL	053794-TAN					2	103		
KIT-VALVE-CAPTURED BALL SHALLOW	048166-001					2	103		
O-RING-1-5/16 OD	048149					2	000		
O-RING-1" OD	048148					2	000		
COLLAR-GAGING-1/202	035514					2	103		
CYLINDER-SYRUP PUMP	051065					2	103		
INSERT-PLUNGER	032758					2	103		
KNOB-PLUNGER (w/O-RING)	032762-					2	103	032762-BRN - 032762-TAN	
+O-RING	016369					2	000		
LID-PUMP	036822					2	103		
NUT-PLUNGER	036577					2	103		
NUT-SPOUT	036821					2	103		
PLUNGER	036578					2	103		
SEAL ASSEMBLY (w/O-RING)	X33057					2	103		
+O-RING	019330					2	000		
SPRING-PLUNGER	032761					2	000		

+ Available Separately

DESCRIPTION	PART NUMBER	750 QTY.	751 QTY.	754 QTY.	774 QTY.	794 QTY.	WARR. CLASS	REMARKS	PARTS UPDATE
TUBE-DISCHARGE	050912				2		103		
TUBE-PLUNGER	032757				2		103		
WASHER-NYLON	032760				2		000		
RELAY-COMPRESSOR	012725-	1	1	2	2	2	103		
RELAY-SPDT-30A-240V (A/C)	032607-		1	1	1	1	103	FOR BLOWER-X47833-27 *750-FOR FAN MOTOR 041401-27	136
SANITIZER-KAY-5	041082	1	1	1	1	1	000		
SHAFT-BEATER DRIVE	032564	1	1	2	2	2	103		
+SEAL-DRIVE SHAFT	032560	1	1	2	2	2	000		
SHELL A.-INSULATED	X50745	1					512		
SHELL A.-INSULATED	X49785		1				512		
SHELL A.-INSULATED	X50327			1	1		512		
SHELL A.-INSULATED	X51711					1	512	J8110000/UP	136
SHELL A.-INSULATED	X41786					1	512	PRIOR TO J8110000	136
+STUD-NOSE CONE	022822	4	4	4	4	4	103		
SHIELD-SPLASH	022763	1	1				103		
SHIELD-SPLASH	022766			1	1		103		
SHIELD-SPLASH	022765					1	103		
STARTER-BEATER LINE	041950-	1	1	2	2	2	103		
OVERLOAD-THERMAL	047150-	1	1	2	2	2	103		
SWITCH-PRESSURE 405 PSI (A/C) - NEW	052663	1	1		2		103	COPELAND	136/142
SWITCH-PRESSURE 440 PSI (A/C)	048230	1	1	2	2	2	103	BRISTOL	136/142
SWITCH-TOGGLE (POWER SWITCH)	024295	1	1				103		
SWITCH-TOGGLE (POWER SWITCH)	037394			1	1	1	103		
SWITCH-TOGGLE (HEATER SWITCH)	051974				1		103	J9041932/UP	142
+ LABEL-SWITCH HEATER	052183-SYM				1		000	J9041932/UP	142
SWITCH-TOGGLE (HEATER SWITCH)	012626				1		103	PRIOR TO J9041932	142
SWITCH A.-DRAW	X33322-SER	1	1				103		
ARM A.-SWITCH	X33326	1	1				103		
BRACKET A.-SWITCH	X43722	1	1				103		
E-RING	049178	1	1				000		
PIN-PIVOT	015478	1	1				103		
SPRING-LEFT RETURN	041660	1	1				103		
SPRING-RIGHT RETURN	041661	1	1				103		
SWITCH-MICRO	028889	1	1				103		

+ Available Separately

DESCRIPTION	PART NUMBER	750 QTY.	751 QTY.	754 QTY.	774 QTY.	794 QTY.	WARR. CLASS	REMARKS	PARTS UPDATE
SWITCH A.-DRAW	X38547			1	1	1	103		
ARM-SWITCH-LEFT	038649			1	1	1	103		
ARM-SWITCH-RIGHT	038650			1	1	1	103		
BRACKET A.-SWITCH	X38252			1	1	1	103		
E-RING	032190			4	4	4	000		
PIN-PIVOT	038484			1	1	1	103		
ROD-SPRING RETAINER	038254			1	1	1	103		
SPRING-EXTENSION	038922			2	2	2	103		
SPRING-LEFT RETURN	038923			1	1	1	103		
SPRING-RIGHT RETURN	038924			1	1	1	103		
SWITCH A.-DRAW	X39269			1	1	1	103		
BRACKET-SWITCH	039264			1	1	1	103		
SWITCH-MICR+A3210	039252			2	2	2	103		
TRAY-FRONT DRIP	013690	1	1				103		
TRAY-FRONT DRIP	014533			1	1		103		
TRAY-FRONT DRIP	020157					1	103		
TRIM-FRONT	020889	1					103		
TRIM-LEFT REAR CORNER	020678	1					103		
TRIM-LEFT REAR CORNER	020882		1				103		
TRIM-LEFT REAR CORNER	013761			1	1		103		
TRIM-LEFT REAR CORNER	041852					1	103		
TRIM-RIGHT REAR CORNER	020677	1					103		
TRIM-RIGHT REAR CORNER	020883		1				103		
TRIM-RIGHT REAR CORNER	013663			1	1		103		
TRIM-RIGHT REAR CORNER	041853					1	103		
TUBE A.-AIR	X29429-2	1	1	2	2	2	103		
+O-RING	018572	4	4	8	8	8	000		
VALVE-ACCESS	047016	2	1	2	2	2	103		
VALVE-ACCESS	044455	1	1	2			103	750 W/BRISTOL COMPRESSOR	136
VALVE-ACCESS	043232		1		2	2	103		
VALVE-ACCESS	044404	1	1	1	1	1	103		
VALVE-ACCESS	029406		1	1	1	1	103		
VALVE-AUTOMATIC EXPANSION	046365	1	1	2	2	2	103		
+BOOT-EXPANSION VALVE	050900	1	1	2	2	2	000		
VALVE-E.P.R.	022665	1	1	1	1	1	103		

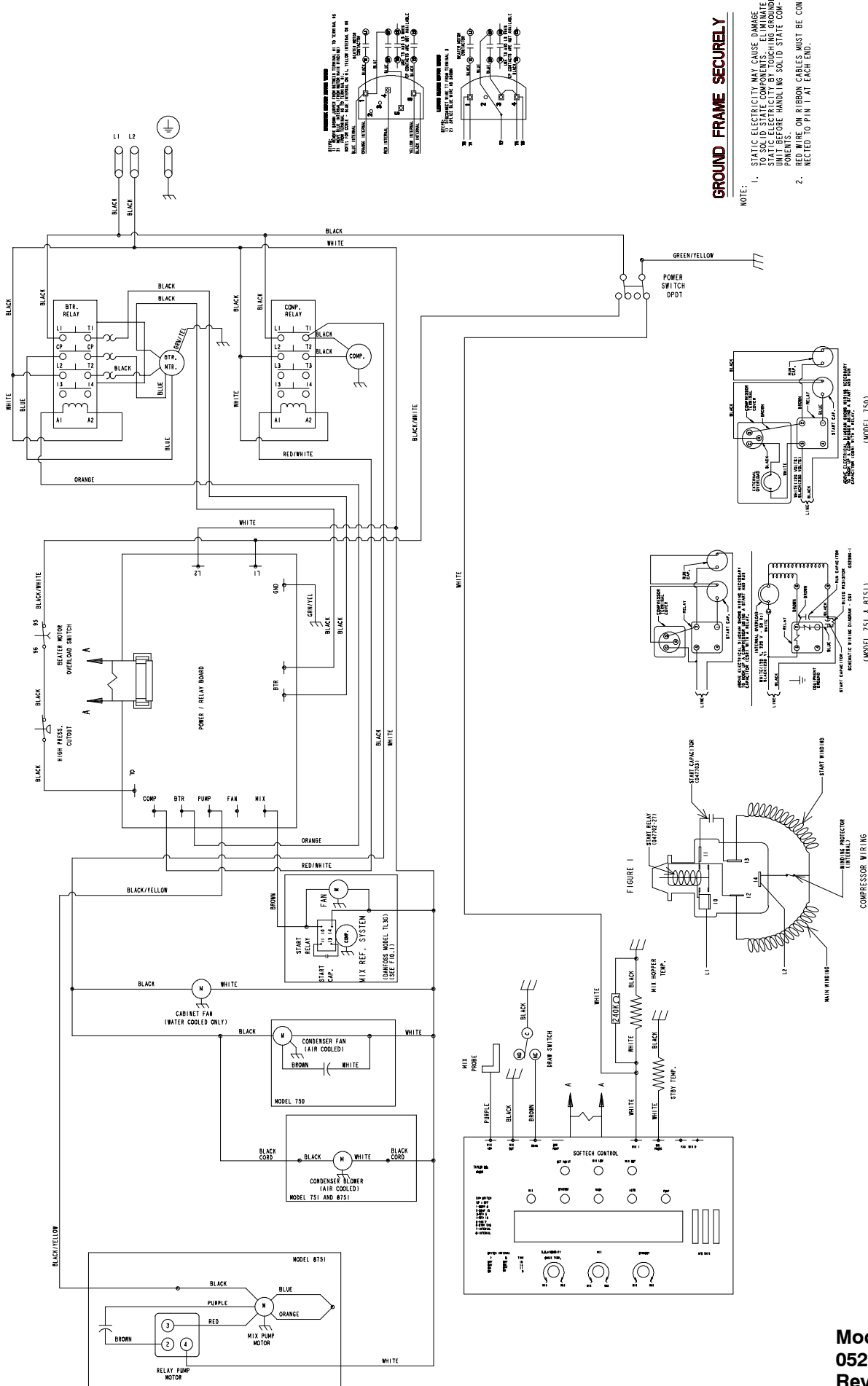
+ Available Separately

DESCRIPTION	PART NUMBER	750 QTY.	751 QTY.	754 QTY.	774 QTY.	794 QTY.	WARR. CLASS	REMARKS	PARTS UPDATE
VALVE A.-DRAW	X18303	1	1	3	3	3	103	J7060000 (REPLACES X45380)	118
+O-RING	014402	2	2	6	6	6	000		
VIDEO-TRAINING FILM	038047-	1	1	1	1	1	000		
OPTIONAL FEATURES									
WATER COOLED									
BLOWER	012796-		1	1	1	1	103		
+GUARD-BLOWER	022505		1	1	1	1	103		
CONDENSER	049309	1					103		
CONDENSER	048287		1	2	2	2	103		
MOTOR-FAN	015184-	1					103		
+BLADE-FAN (10" PUSH)	013043	1					103		
PANEL A.-LOWER SIDE (R & L)	X24424-SER		2	2	2	2	103		
SWITCH-PRESSURE	048231	1	1	2	2	2	103		
VALVE-WATER	046686	1	1	2	2	2	103		
50 CYCLE									
BELT-AX35	022848				4		000		
BELT-AX32	032769					4	000		
BLOCK-TERMINAL (230-50-1)	039421	1	1	2			103		
BLOCK-TERMINAL (220/440-50-3)	039424	1	1	2	2	2	103		
CAPACITOR-RUN (BEATER MOTOR)	023606	1	1	2	2	2	103	CENTURY/MAGNETEK	
CAPACITOR-RUN (BEATER MOTOR)	023739	1	1	2	2	2	103	LEESON	
CAPACITOR-START (BEATER MOTOR)	028315	1	1	2	2	2	103	CENTURY/MAGNETEK	
CAPACITOR-START (BEATER MOTOR)	026659	1	1	2	2	2	103	LEESON	
COMPRESSOR-COPELAND	051958-	1					512	J8108583/UP	136
CAPACITOR-RUN	023606	1					103	230-50-1	136
CAPACITOR-START	051960	1					103	230-50-1	136
RELAY-START COMPRESSOR	051957-40	1					103	230-50-1	136
COMPRESSOR (MAIN - HP62) -BRISTOL	048727-	1					512	PRIOR TO J8108583	136
CAPACITOR-RUN (230-50-1)	027087	1					103		
CAPACITOR-START (230-50-1)	031790	1					103		
RELAY-START (230-50-1)	048766	1					103		

+ Available Separately

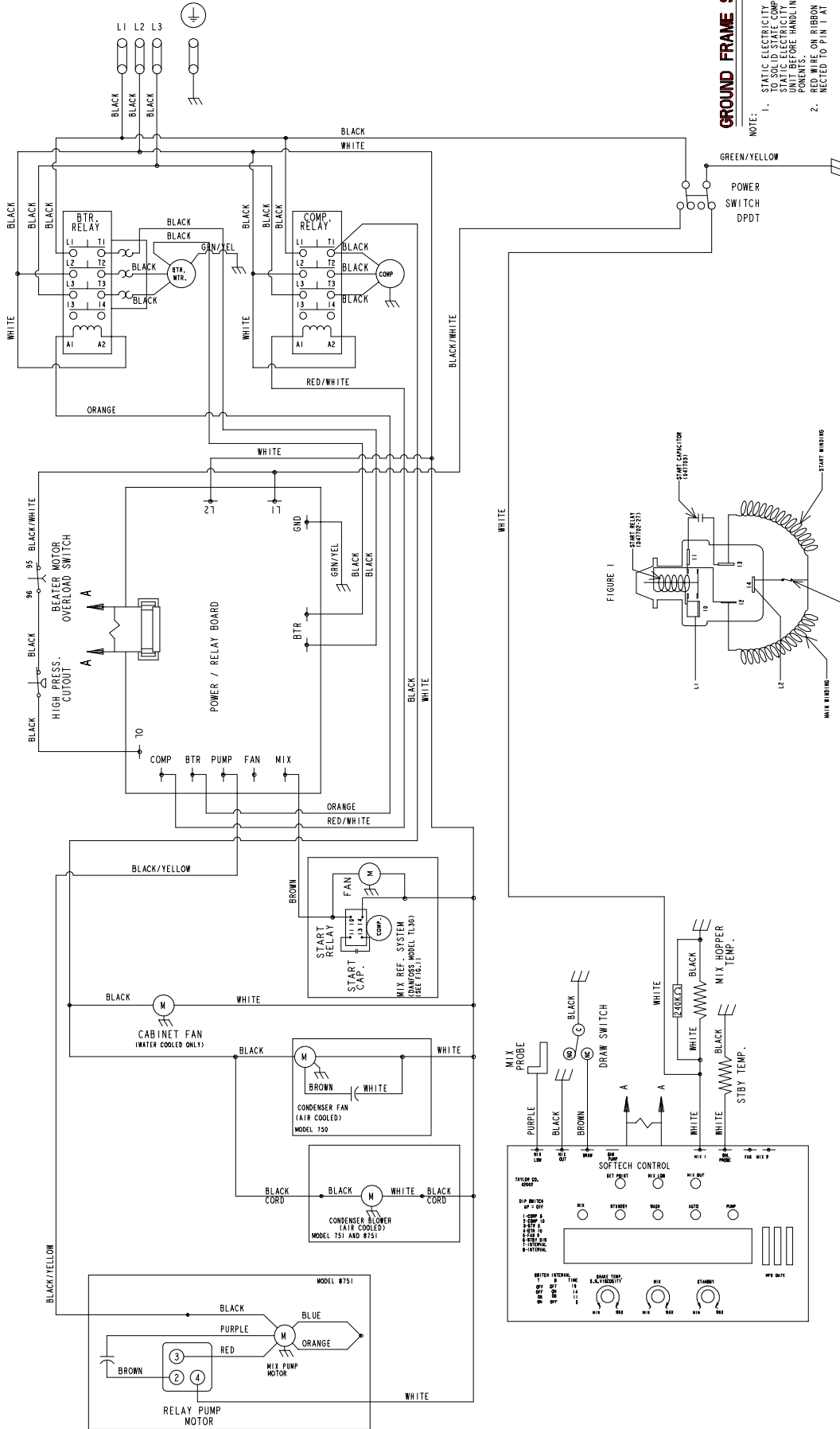
DESCRIPTION	PART NUMBER	750 QTY.	751 QTY.	754 QTY.	774 QTY.	794 QTY.	WARR. CLASS	REMARKS	PARTS UPDATE
COMPRESSOR-COPELAND	052397-		1	2	2		512	751-J9053634/JP 754-J9036611/JP 774-J9041932/JP	144 141 142
CAPACITOR-RUN- 45UF/370V	052400		1	2	2		103	230-50-1	
CAPACITOR-START-145-175UF/250V	052399		1	2	2		103	230-50-1	
RELAY-START COMPRESSOR	052401-27		1	2	2		103	230-50-1	
COMPRESSOR (MAIN - HP62) BRISTOL	048259-		1	2	2		512	751-PRIOR TO J9053634 754-PRIOR TO J9036611 774-PRIOR TO J9041932	144 141 142
CAPACITOR-RUN	023739		1	2			103	230-50-1	
CAPACITOR-START	031790		1	2			103	230-50-1	
RELAY-START	038146		1	2			103	230-50-1	
COMPRESSOR-MAIN (HP62)-TECUMSEH	047519-					2	512		
CAPACITOR-RUN	029439					2	103	230-50-1	
CAPACITOR-START	036048					2	103	230-50-1	
RELAY-START	036047					2	103	230-50-1	
MOTOR-FAN	047178-34	1					103		
BLADE-FAN (12" PUSH)	047279	1					103		
PULLEY (BEATER MOTOR)	011545	1	1	2	2	2	103		

+ Available Separately



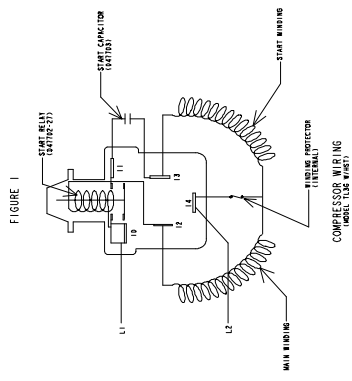
GROUND FRAME SECURELY

- NOTE:
1. STATIC ELECTRICITY MAY CAUSE DAMAGE TO SOLID STATE COMPONENTS. ELIMINATE STATIC ELECTRICITY BY TOUCHING GROUNDED POINTS BEFORE HANDLING SOLID STATE COMPONENTS.
 2. RED WIRE ON RIBBON CABLES MUST BE CONNECTED TO PIN 1 AT EACH END.

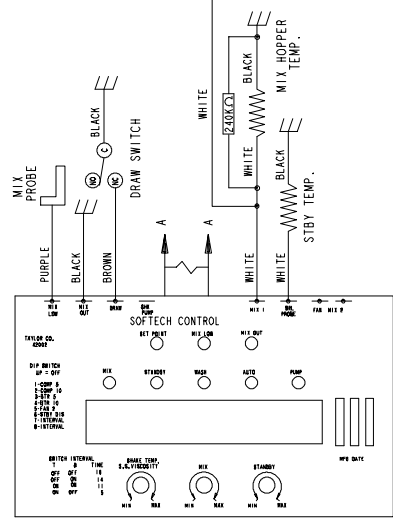


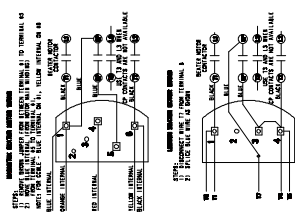
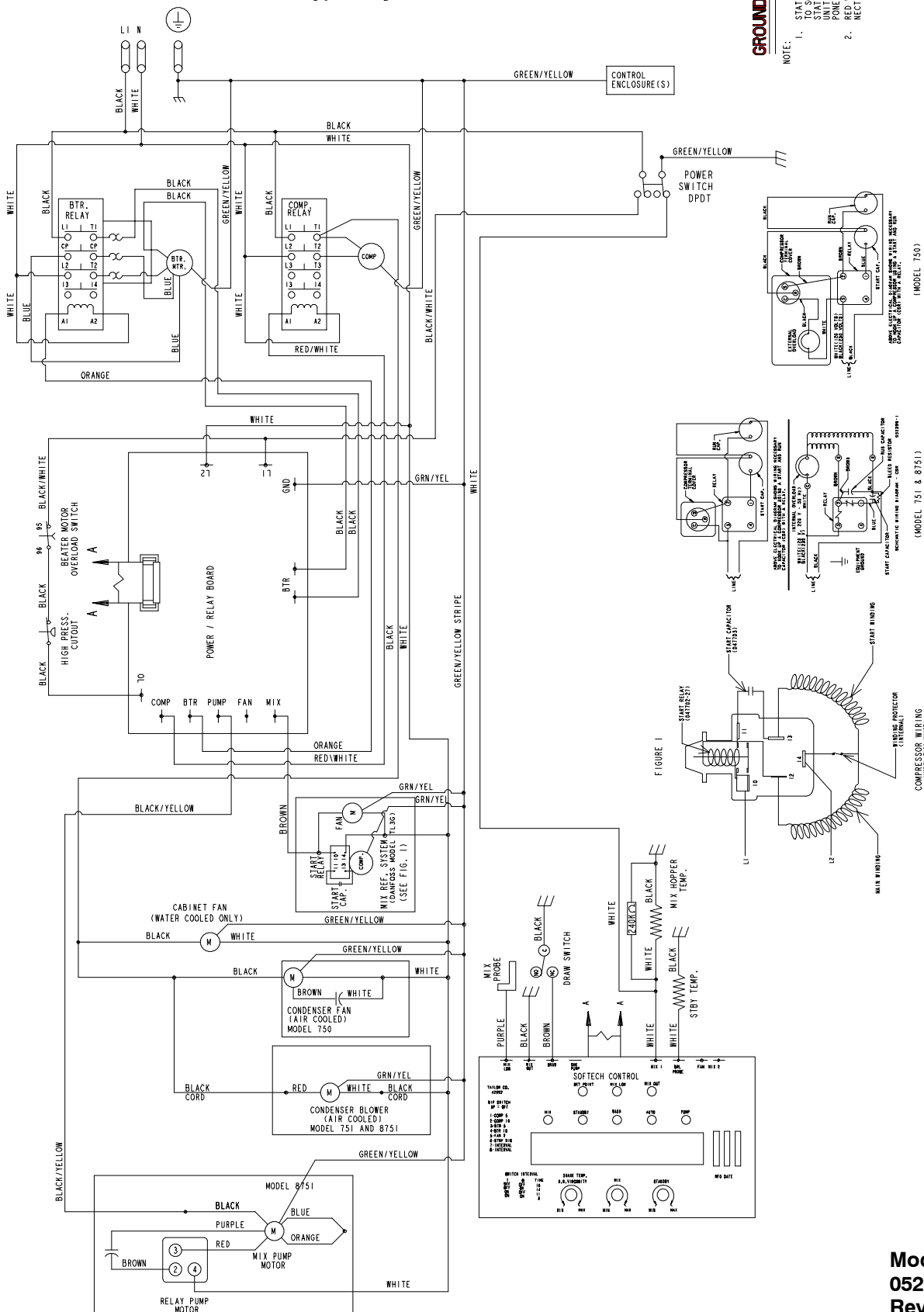
GROUND FRAME SECURITY

- NOTE:
1. STATIC ELECTRICITY MAY CAUSE DAMAGE TO SOLID STATE COMPONENTS. ELIMINATE STATIC BY TOUCHING THE GROUNDING POINT BEFORE HANDLING SOLID STATE COMPONENTS.
 2. RED WIRE ON RIBBON CABLES MUST BE CONNECTED TO PIN 1 AT EACH END.



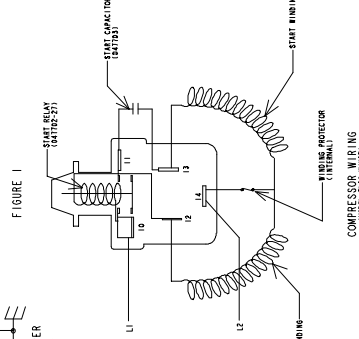
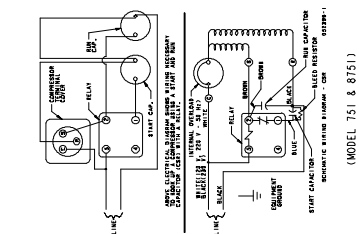
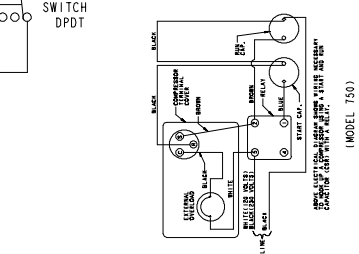
COMPRESSOR AND BEATER MOTOR PROTECTED UNDER PRIMARY SINGLE PHASING CONDITIONS

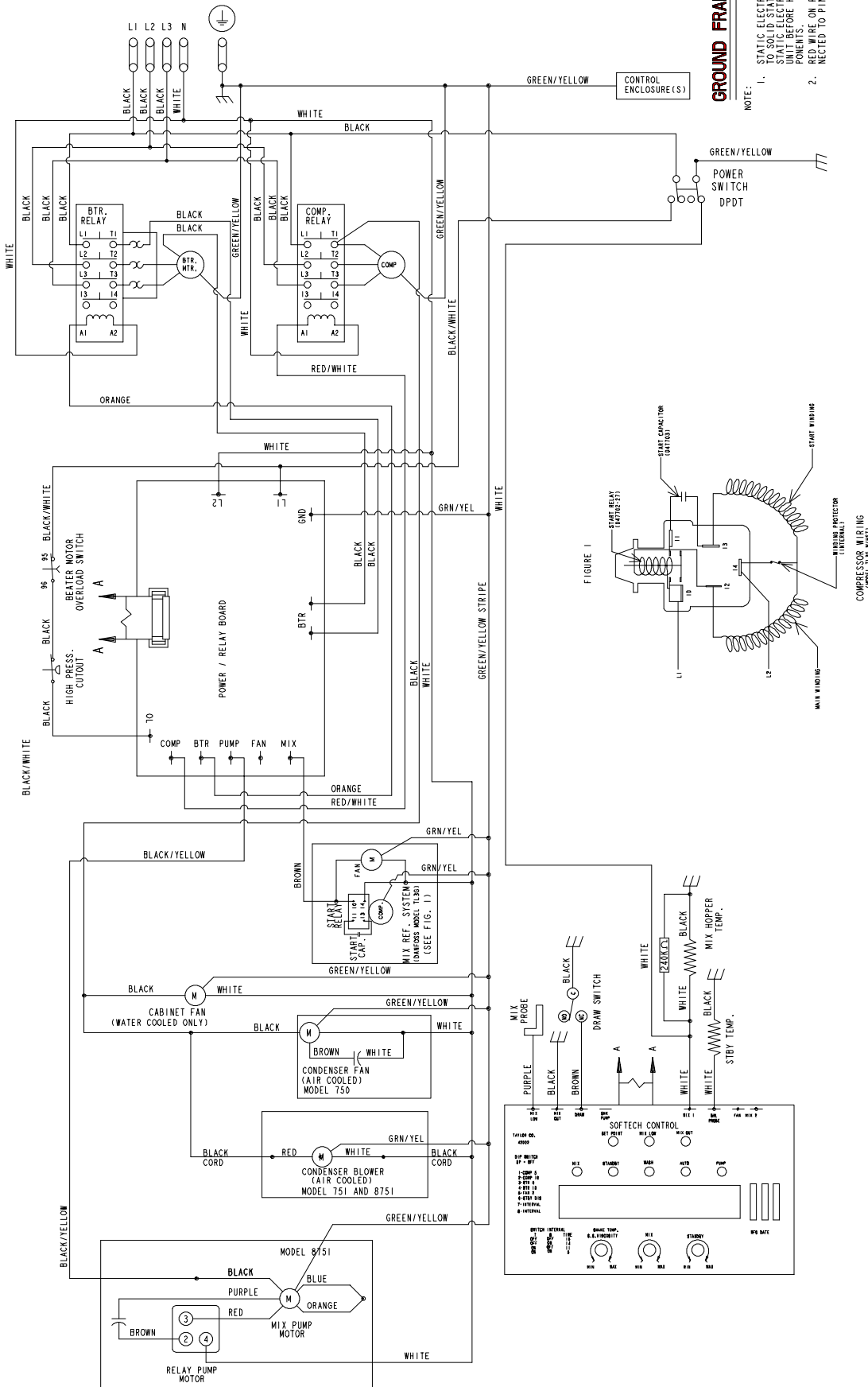




GROUND FRAME SECURELY

- NOTE:
1. STATIC ELECTRICITY MAY CAUSE DAMAGE TO SOLID STATE COMPONENTS. ELIMINATE STATIC ELECTRICITY BY DISCHARGING THE UNIT BEFORE HANDLING SOLID STATE COMPONENTS.
 2. RED WIRE ON RIBBON CABLES MUST BE CONNECTED TO PIN 1 AT EACH END.

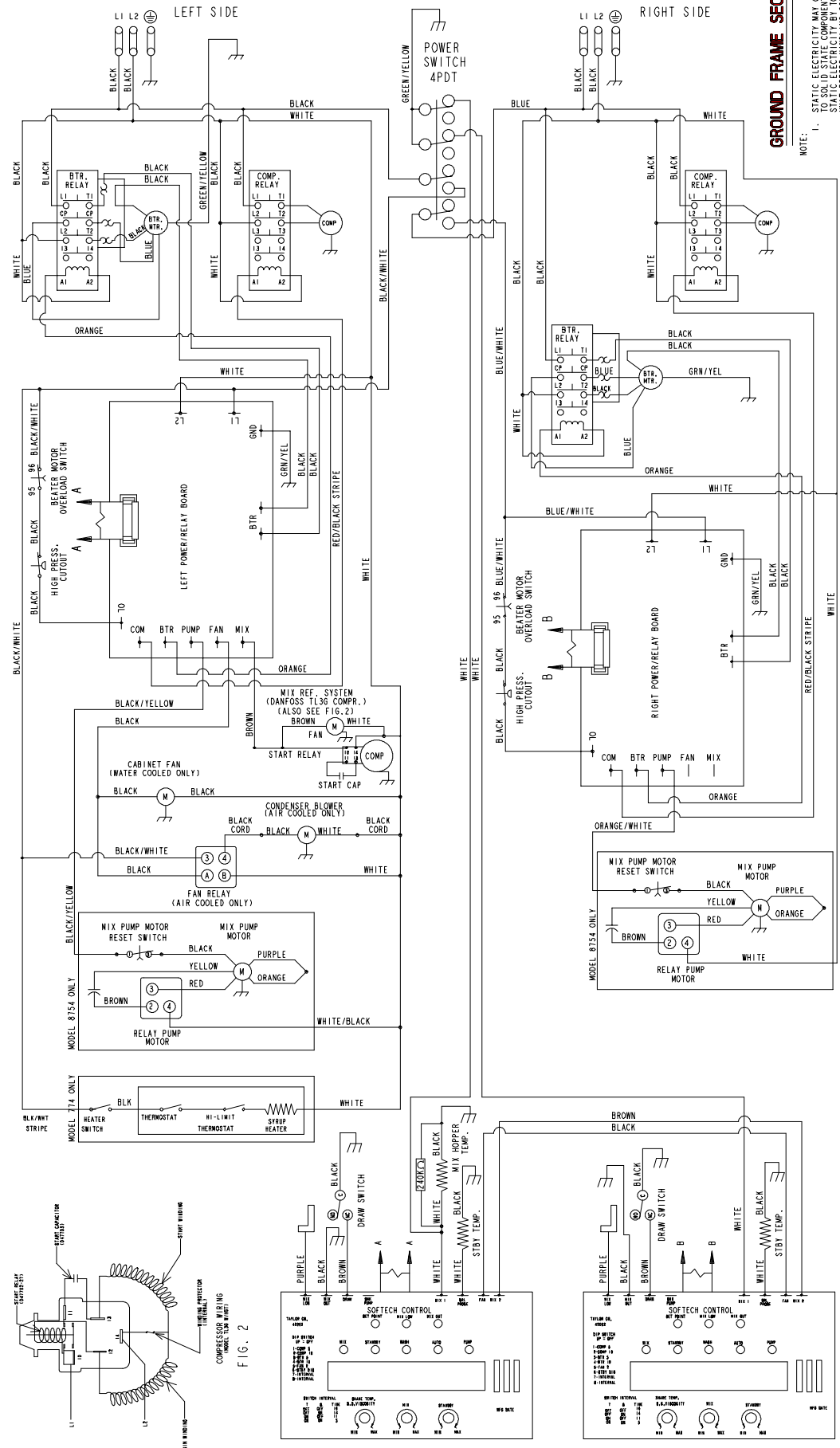




GROUND FRAME SECURELY

- NOTE:
1. STATIC ELECTRICITY MAY CAUSE DAMAGE TO THE ELECTRICAL COMPONENTS OF THIS UNIT. DISCHARGE STATIC ELECTRICITY FROM YOUR BODY BEFORE HANDLING SOLID STATE COMPONENTS.
 2. RED WIRE ON RIBBON CABLES MUST BE CONNECTED TO PIN 1 AT EACH END.

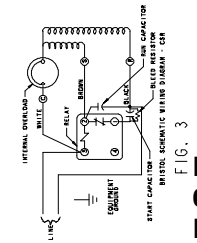
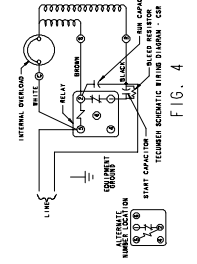
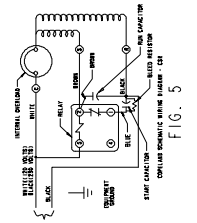
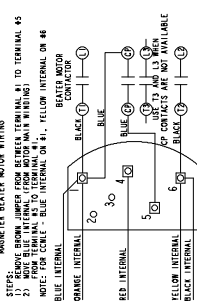
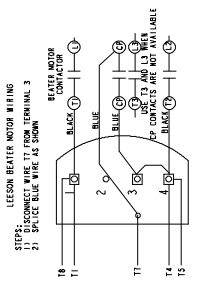
COMPRESSOR AND BEATER MOTOR PROTECTED UNDER PRIMARY SINGLE PHASING CONDITIONS

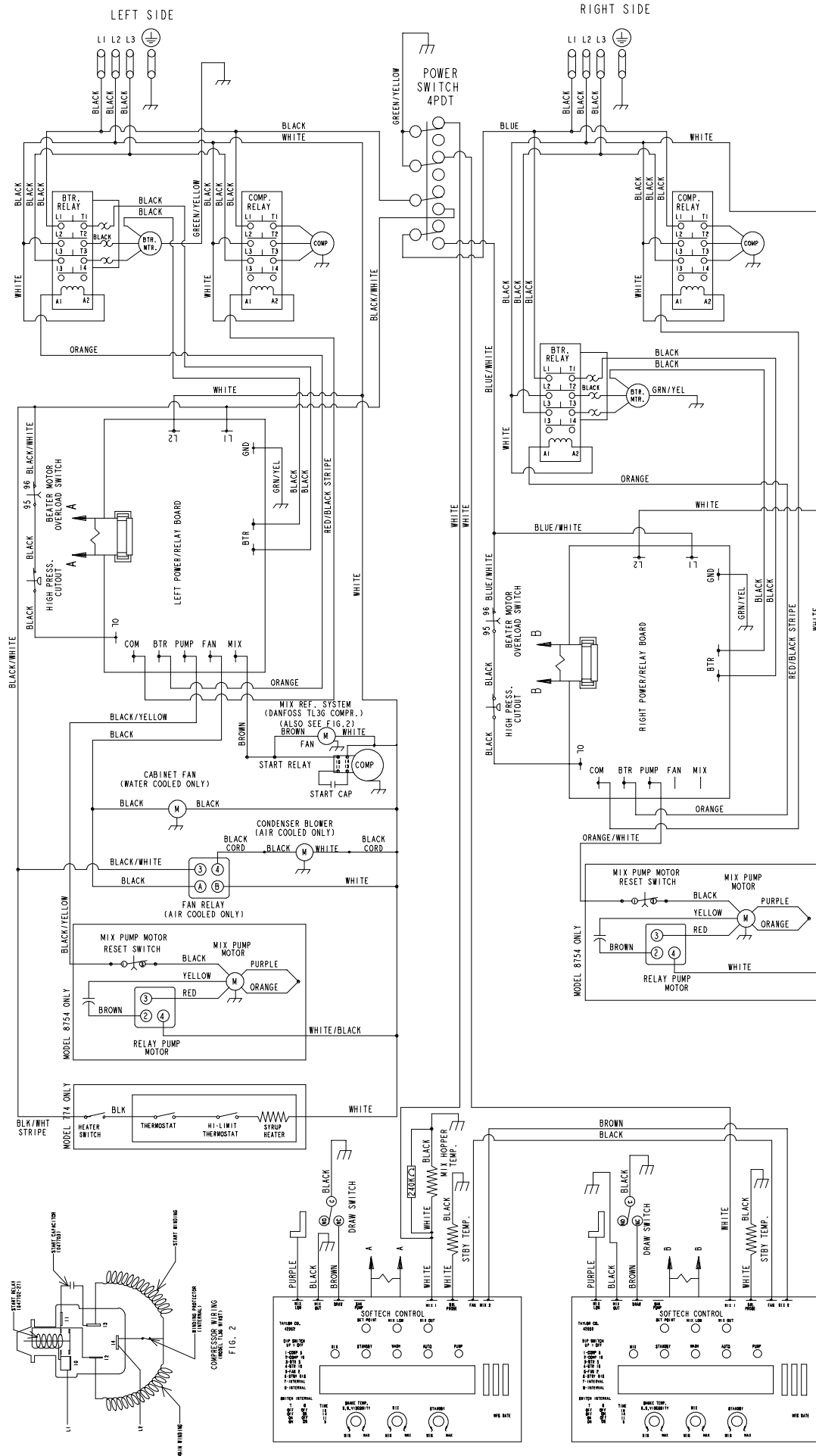


GROUND FRAME SECURELY

NOTE:

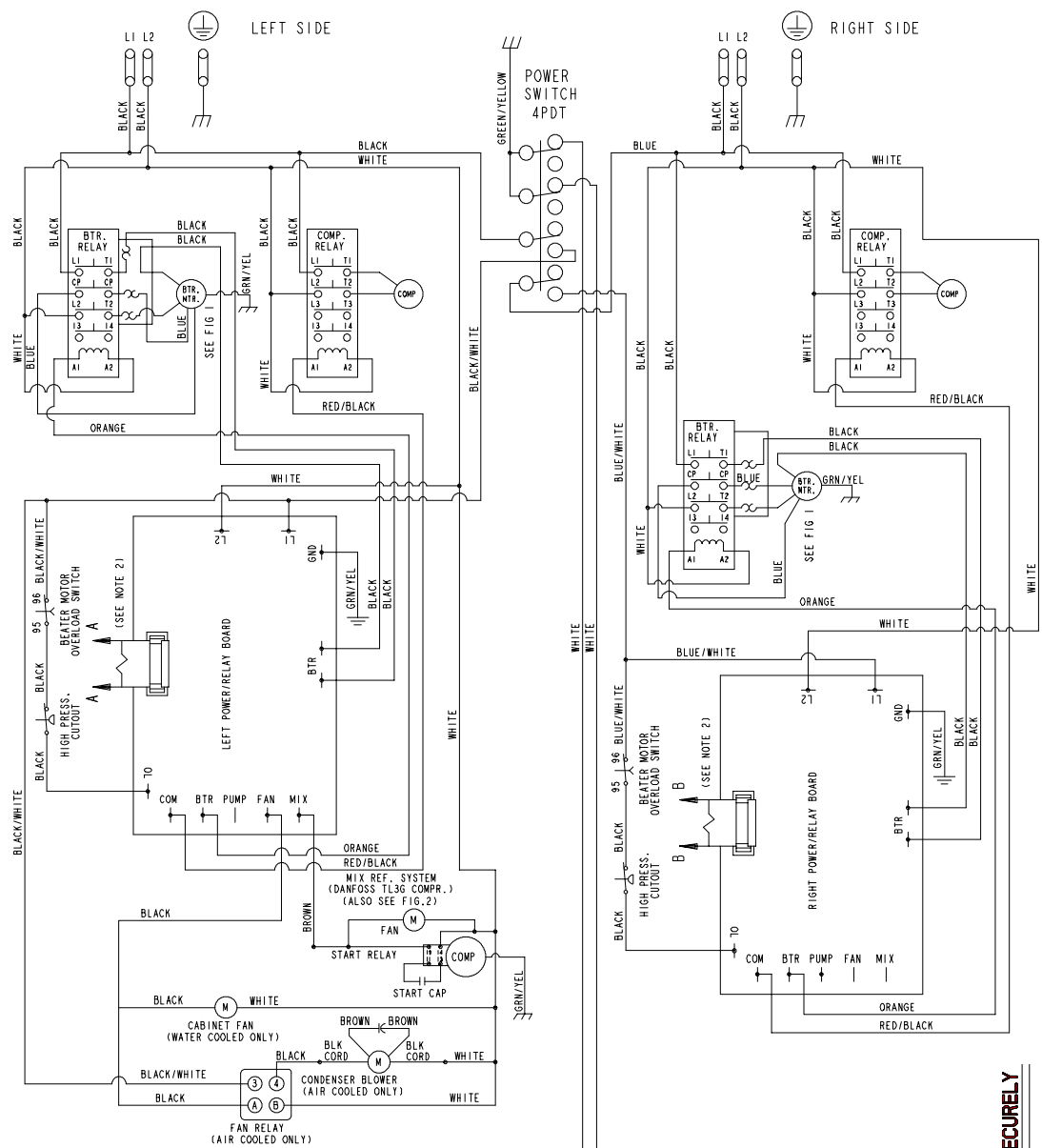
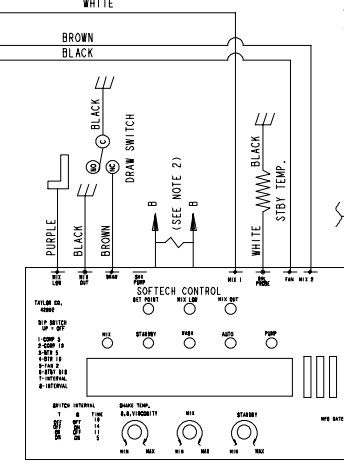
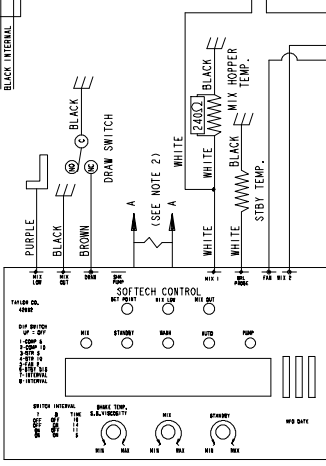
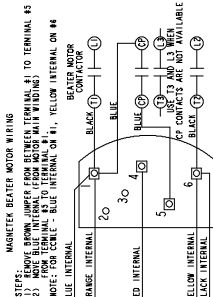
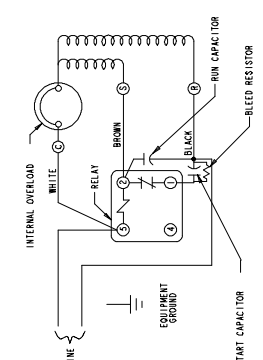
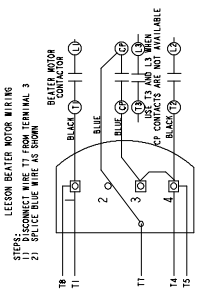
1. STATIC ELECTRICITY MAY CAUSE DAMAGE TO SOLID STATE COMPONENTS. DISCHARGE ALL STATIC ELECTRICITY FROM YOUR BODY BEFORE HANDLING SOLID STATE COMPONENTS.
2. RED WIRE ON RIBBON CABLES MUST BE CONNECTED TO PIN 1 AT EACH END.





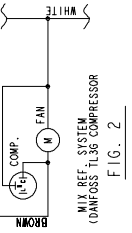
COMPRESSOR AND BEATER MOTOR PROTECTED
UNDER PRIMARY SINGLE PHASING CONDITIONS

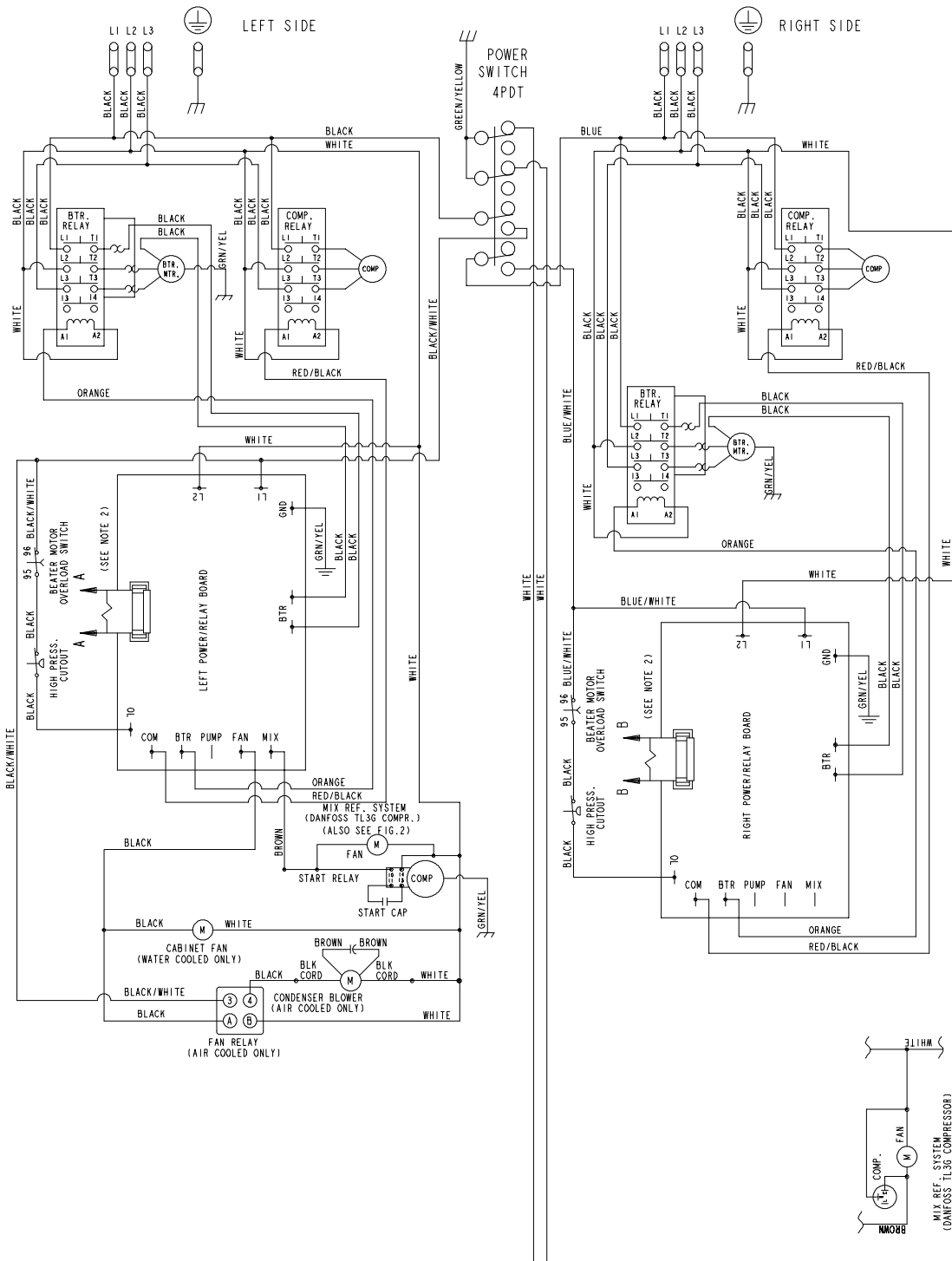
GROUND FRAME SECURELY



GROUND FRAME SECURELY

- NOTE:
1. STATIC ELECTRICITY MAY CAUSE DAMAGE TO SOLID STATE COMPONENTS. ELIMINATE ANY STATIC ELECTRICITY BY TOUCHING GROUNDING POINTS BEFORE HANDLING SOLID STATE COMPONENTS.
 2. RED WIRE ON RIBBON CABLES MUST BE CONNECTED TO PIN 1 AT EACH END.





GROUND FRAME SECURELY

GROUND FRAME SECURELY

COMPRESSOR AND BEATER MOTOR PROTECTED UNDER PRIMARY SINGLE PHASING CONDITIONS

- NOTE:
1. STATIC ELECTRICITY MAY CAUSE DAMAGE TO SOLID STATE COMPONENTS. DISCHARGE BY TOUCHING METAL PARTS OF THE UNIT BEFORE HANDLING SOLID STATE COMPONENTS.
 2. RED WIRE ON RIBBON CABLES MUST BE CONNECTED TO PIN 1 AT EACH END.

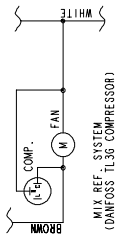
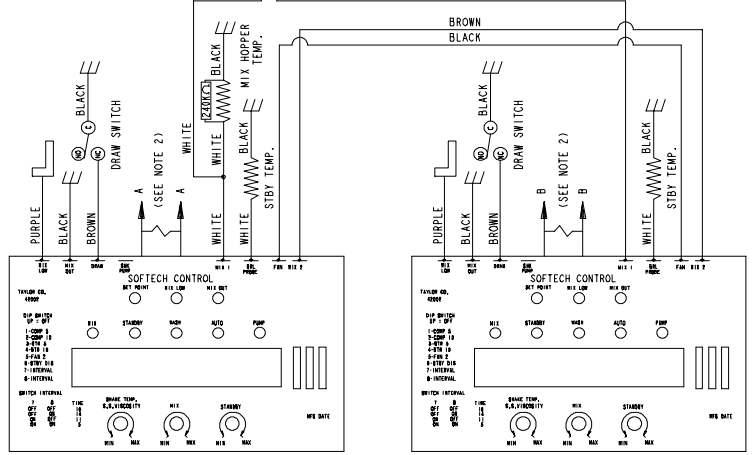
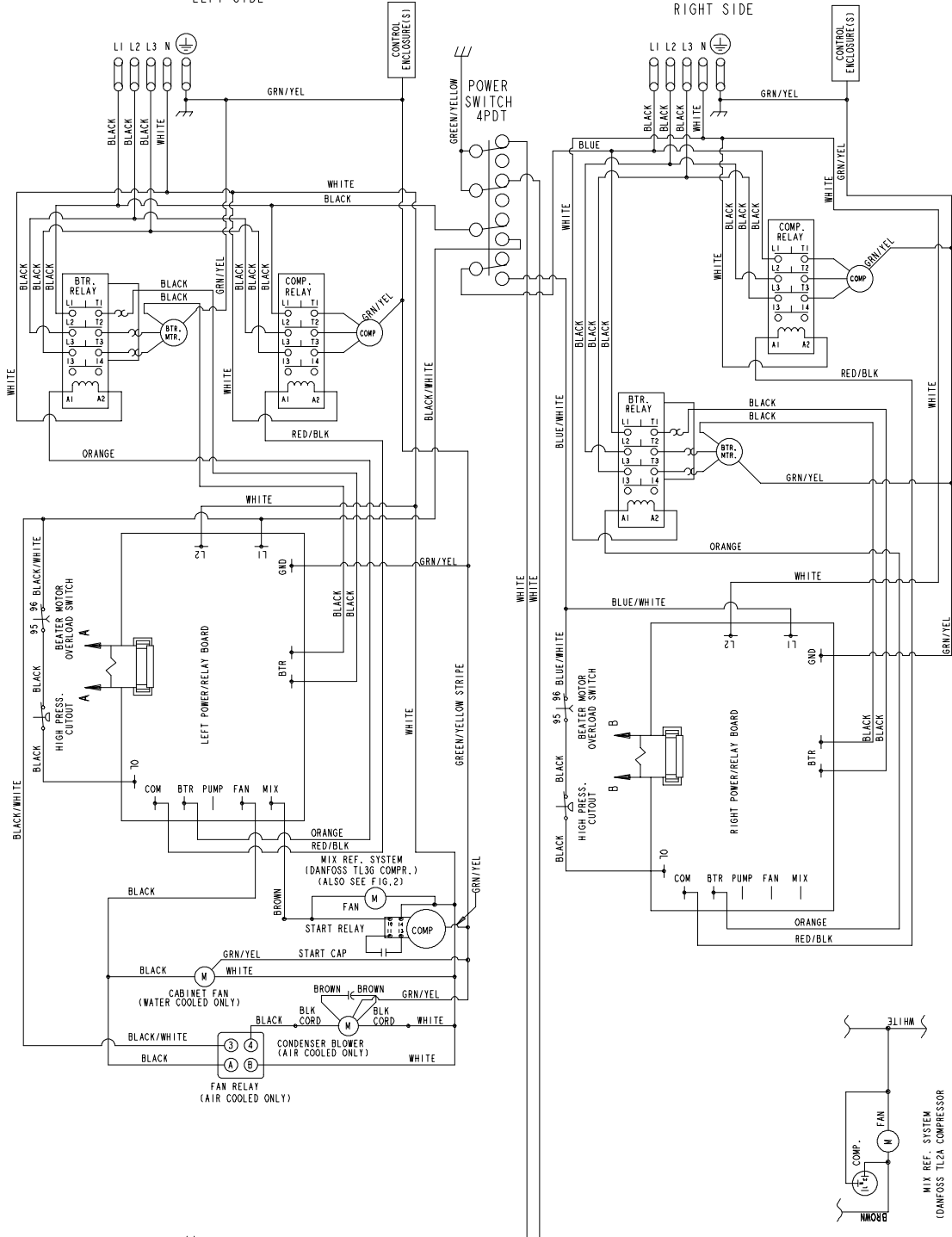


FIG. 1



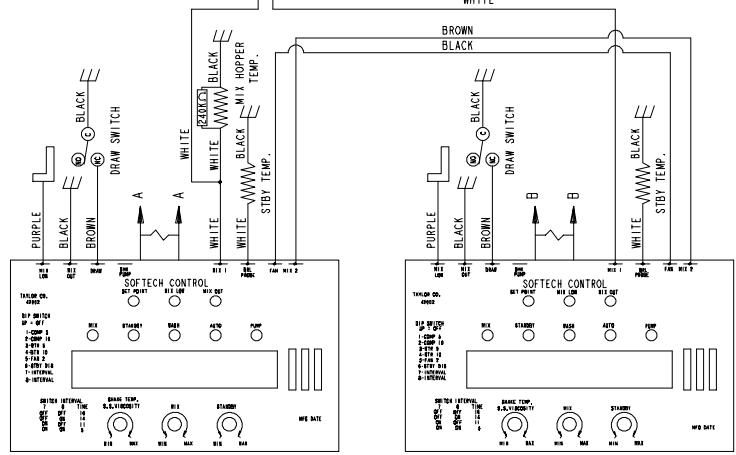
LEFT SIDE

RIGHT SIDE



COMPRESSOR AND BEATER MOTOR PROTECTED UNDER PRIMARY'S SINGLE PHASING CONDITIONS

GROUND FRAME SECURELY



MIX REF. SYSTEM (DANFOSS TL2A COMPRESSOR) FIG. 1