


Installation Instructions

NOTE: Read the entire instruction manual before starting the installation.

SAFETY CONSIDERATIONS

Read and follow manufacturer instructions carefully. Follow all local electrical codes during installation. All wiring must conform to local and national electrical codes. Improper wiring or installation may damage thermostat sensor.

Recognize safety information. This is the safety-alert symbol . When you see this symbol on the equipment and in the instruction manual, be alert to the potential for personal injury.

Understand the signal words DANGER, WARNING, and CAUTION. These words are used with the safety-alert symbol. DANGER identifies the most serious hazards which **will** result in severe personal injury or death. WARNING signifies a hazard which **could** result in personal injury or death. CAUTION is used to identify unsafe practices which **would** result in minor personal injury or product and property damage.

INTRODUCTION

The remote temperature sensor is an accessory for all Carrier thermostats, except the non-programmable A/C versions. It allows the temperature at a remote location to be displayed on the thermostat.

MOUNTING CONSIDERATIONS

Choose a location for the outdoor sensor after considering the following:

- 1) A wiring route must be planned between thermostat and location of outdoor sensor, prior to installation.
- 2) A sensor located in direct sunlight will not read properly while the sun is shining on it.
- 3) A high location under an eave is ideal because it is protected from sun, weather, and people.
- 4) The sensor can be mounted directly to a wall using provided screws and standoffs or can be used as a cover for a standard electric outlet box (not supplied).

WIRING SELECTION:

A pair of conductors must be selected to run between mounted sensor and thermostat. Conductors must be rated NEC Class 1. Thermostat and common bell wire have this rating.

MOUNTING TO OUTLET BOX:

A standard electrical box (not included) may be used with the sensor plate as its cover. This provides room inside box for wire nut connection between sensor wires and wiring run to the thermostat.

USING SENSOR PLATE:

Attaching the plate directly to the outside wall simplifies mounting and requires less space, but the wire nut transitions to the thermostat wiring now need to be made within the wall. This may be difficult in some installations.

PERFORMING THE INSTALLATION

Once the mounting location has been selected, route the interconnecting wiring through the building between thermostat and outdoor sensor. The exit point from inside to outside will be the location of the outdoor sensor. The location of the wire nuts will be either inside or outside of wall depending on whether or not a box is used. Allow sufficient wire length for some excess on each end.

IF AN OUTLET BOX IS USED: (See Fig. 1.)

Drill a suitable hole in the building wall at selected sensor location. Route interconnecting wire through building wall. Remove rear knockout from electric box, route wire through box, and attach box to wall with supplied wood screws.

Cut and strip wires to a reasonable length and connect with supplied wire nuts. Polarity is unimportant. Seal wires where they exit building with a suitable exterior caulk. Fasten cover to box with supplied sheet metal screws.

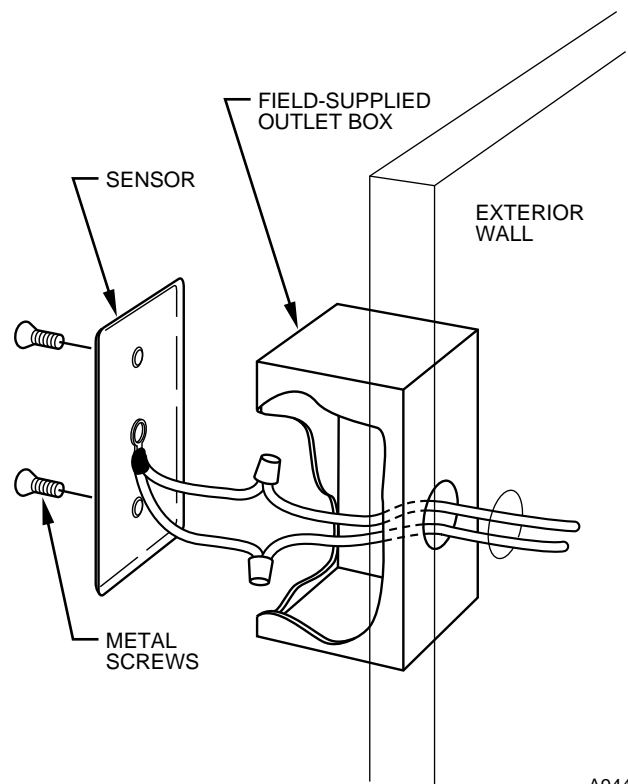


Fig. 1—Mounting to Outlet Box

A94409

IF PLATE IS ATTACHED DIRECTLY TO WALL: (See Fig. 2.)

Drill a suitable hole through the wall at selected sensor location. Route sensor wires through wall, making sure they are accessible from the inside. Use provided spacers to stand off plate from wall. Mount the sensor plate loosely to wall with only 1 screw so that access to hole is preserved for application of caulking. Fill hole with a suitable exterior caulking compound. Then insert second screw and tighten both screws carefully.

From inside, locate sensor wires and wires from thermostat. Cut and trim thermostat wires to an appropriate length and connect with supplied wire nuts. It may be advisable to retain thermostat wire with a clamp or wire staple ahead of wire nuts to prevent a pull on this wire from damaging the more delicate connections.

THERMOSTAT CONNECTION:

Turn OFF all power to system. The thermostat display will go blank. Open thermostat at rear hinge to access connector blocks. Route and connect wires at thermostat carefully to minimize amount of wire between wall and thermostat. Strip ends only 1/4 in. to prevent a possible short between wires at the thermostat. Attach wires to S1 and S2 terminals. Polarity is unimportant. Route wires behind thermostat so that hinge can close properly. When wiring is completed and thermostat closed, restore power to system. Refer to Homeowners manual for procedure to display remote temperature.

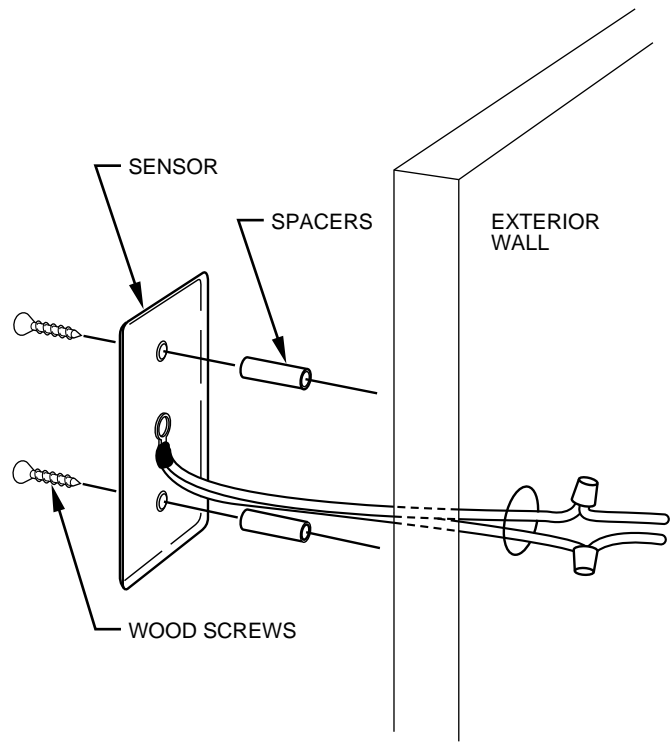


Fig. 2—Mounting Directly to Wall

A94410