

## ADAPT•TOUCH™

Remote Fan & Light Control

Model W-52

Ratings: 120 VAC, 60 Hz, 1.0 Amp Fan

300 Watts incandescent light

Receiver Weight: 6 oz.

### READ AND SAVE THESE INSTRUCTIONS

#### CAUTION: RISK OF ELECTRICAL SHOCK!

All wiring must be performed in accordance with national and local electrical codes. If you are unfamiliar with the wiring codes, you should use a qualified electrician. To avoid overheating and possible damage to other equipment, do not install control to a receptacle, fluorescent light fixture, motor operated appliance, or transformer-supplied appliance. Use only to control one paddle-blade ceiling fan and attached incandescent light fixture.

#### NOTES:

1. This device complies with Part 15 of the FCC Rules. Operation is subject to the following two conditions: (1) this device may not cause harmful interference, and (2) this device must accept any interference received, including interference that may cause undesired operation.
2. This equipment has been tested and found to comply with the limits for a Class B digital device, pursuant to Part 15 of the FCC Rules. These limits are designed to provide reasonable protection against harmful interference in a residential installation. This equipment generates, uses and can radiate radio frequency energy and, if not installed and used in accordance with the instructions, may cause harmful interference to radio communications. However, there is no guarantee that interference will not occur in a particular installation. If this equipment does cause harmful interference to radio or television reception, which can be determined by turning the equipment off and on, the user is encouraged to try to correct the interference by one or more of the following measures:
  - Reorient or relocate the receiving antenna.
  - Increase the separation between the equipment and receiver.
  - Connect the equipment into an outlet on a circuit different from that to which the receiver is connected.
  - Consult the dealer or an experienced radio/TV technician for help.
3. For use only with Casablanca 3-Speed ceiling fans that use the Hang•Tru® canopy mounting system. Not for use with other brands of ceiling fans.
4. Medium and Low fan speeds are determined by the Adapt•Touch™ control and thus may vary from the factory settings due to normal motor variations.

## BEFORE INSTALLING THE ADAPT•TOUCH™ CONTROL

**Step 1.** Use the pull-chain switch to set the fan speed to the HIGH position before installation. Do not use the pull-chain to change the fan speed after installation, as damage to your ceiling fan or Adapt•Touch™ control may result. The speed of the fan should only be changed by the Adapt•Touch™ control.

**Step 2.** Set the ceiling fan light kit to the ON position before installation. The light level should only be changed by the Adapt•Touch™ control.

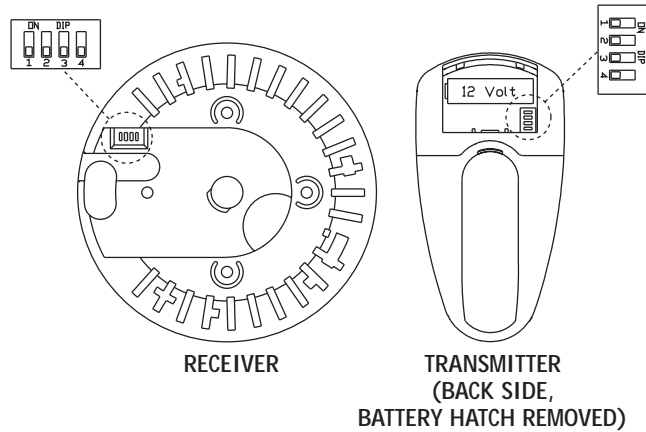
## RECEIVER INSTALLATION PREPARATION

**Step 3.** Disconnect power to the ceiling fan and light kit at the main electric panel. Remove fuse or move circuit breaker to the OFF position.

**Step 4. IMPORTANT!** Before installing this control, change the factory default dip switch settings to your own unique code. Be sure the dip switch positions of the transmitter and receiver match, or the ceiling fan will not function. Select different combinations of dip switches to prevent misoperation due to other remote control fans, garage door openers, etc.

**Step 5a.** If you are installing the remote control with a new fan installation, complete the fan installation according to its instructions, up to the point of installing the Hang•Tru® canopy.

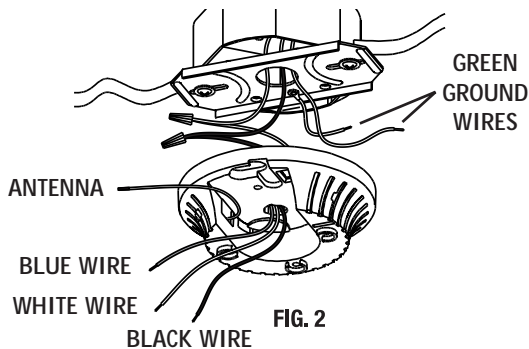
**Step 5b.** If the fan is already installed, reverse the installation procedure to remove the ceiling fan and Hang•Tru® canopy from the Crossbar Mounting Bracket.



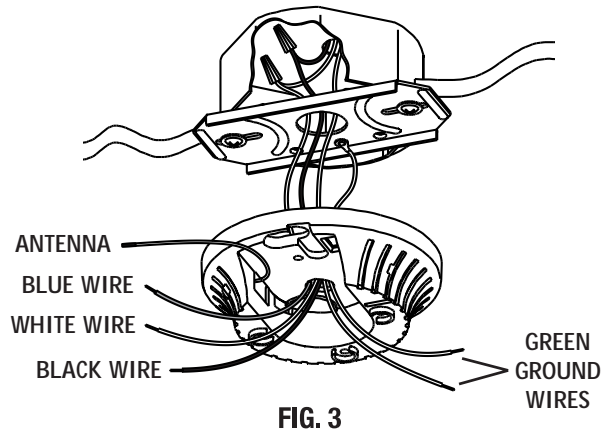
## CONNECTING RECEIVER AND HOUSE WIRING

**Step 6.** Use the 2 large wire nuts supplied to connect the black and white wires on the top of the receiver to the house wiring. Place each of the bare ends of wire next to each other, then secure with a large wire nut. Test the connection by pulling on the wire nut. (FIG. 2)

- The BLACK receiver wire connects to the BLACK HOT wire in the ceiling outlet box.
- The WHITE receiver wire connects to the WHITE NEUTRAL wire in the ceiling outlet box.



**Step 7.** Push the wire nuts through the center opening in the Crossbar Mounting Bracket, so they will not interfere with the canopy and receiver installation. Route the house ground wire and the Crossbar Mounting Bracket ground wire through the hole in the center of the receiver. (FIG. 3)



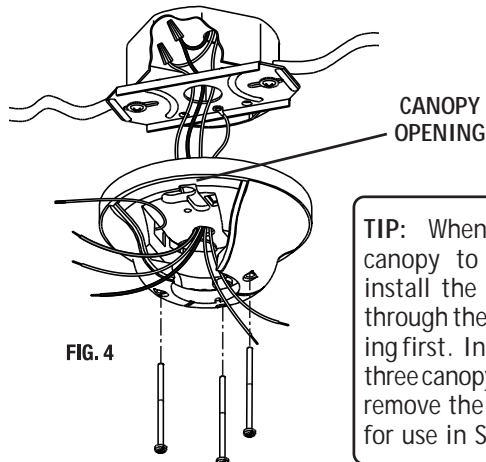
## INSTALLING RECEIVER IN THE CANOPY

**Step 8.** Place the Adapt•Touch™ receiver in the Hang•Tru® canopy with the receiver open side facing the canopy opening. The receiver will align itself on the screw openings in the bottom of the canopy.

**Step 9.** Refer to the "Canopy Installation" section of the ceiling fan manual for directions on installing the canopy screws and lock washers. (FIG. 4)

**NOTE:** Do not allow wires to be pinched between the edge of the Crossbar Mounting Bracket and Receiver.

**Step 10.** Refer to the "Hanging the Fan" section of the ceiling fan manual for directions on hanging the fan inside the canopy. Note that the Blue wire of the fan should NOT be capped, as the Adapt•Touch™ will use this wire for light control.



**TIP:** When aligning the canopy to the bracket, install the canopy screw through the canopy opening first. Install the other three canopy screws. Then remove the canopy screw for use in Step 14.



## CONNECTING RECEIVER AND FAN WIRING

**Step 11.** Run the antenna through the top hole of the downrod as shown.

**NOTE:** Failure to run the antenna through the downrod may result in reduced operating range.

**Step 12.** Use a large wire nut to connect the house ground to the Mounting Bracket ground wire and ceiling fan ground wire.

Use the 3 small wire nuts supplied to connect the 3 receiver wires to the 3 fan wires. Each wire is color coded to match the fan. Place each of the bare ends of wire next to each other, then secure with a large wire nut. Test the connection by pulling on the wire nut. (FIG. 5)

- The BLACK fan output wire connects to the BLACK fan wire
- The BLUE light output wire connects to the BLUE light wire.
- The WHITE common wire connects to the WHITE neutral wire in the ceiling outlet box.

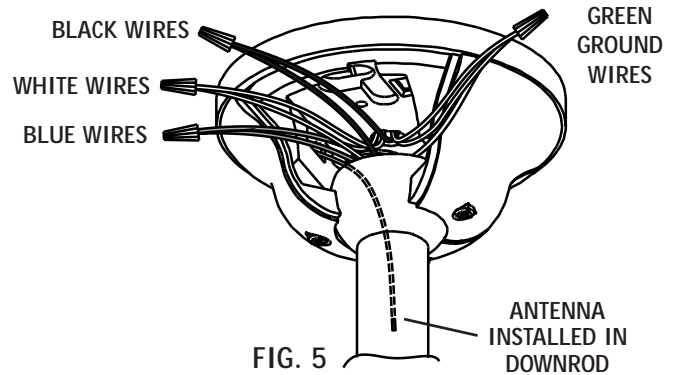


FIG. 5

**Step 13.** Tuck all the wiring back into the canopy, leaving space for the canopy hatch screw to pass through without interfering with the wires.

**NOTE:** Confirm that the DIP switch settings on the receiver match your transmitter's DIP switch settings before installing the canopy hatch.

**Step 14.** Refer to the "Canopy Hatch Installation" section of the ceiling fan manual for directions on installing the canopy hatch.

**Step 15.** Finish the fan installation or reinstallation by securing the fan brackets, blades, and light kit. Refer to the ceiling fan and light kit instructions for more information.

## TRANSMITTER PREPARATION

**Step 16.** Install the battery inside the hand-held transmitter after setting the transmitter DIP switches to match the DIP switches in the receiver. The battery is a 12 volt type A23, 23A, MN-21, or equivalent, commonly found with camera supplies.

**Step 17.** Mount the remote holder over the ceiling fan's wall switch using the supplied wall plate screws. If you have rocker-style switches, break off the inside tabs that are used to mount to a standard toggle switch wall plate.

The transmitter can be placed on the remote holder for convenience or safekeeping.

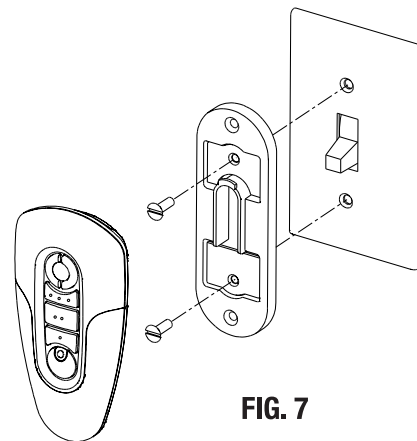


FIG. 7

## TESTING THE CONTROL

**Step 18.** When the installation is complete, restore power at main electrical panel. Then, turn on the wall switch. The light kit should turn On. If the light remains Off, turn off the power at the wall switch. Pull the light kit's pull chain to turn the light On.

**WARNING!** Do not use the pull chain to operate the light. Pulling the chain while power is applied can damage the receiver. It is recommended to shorten the pull chain(s) to prevent accidental use.

**Step 19.** Press the remote control's High speed button (3 raised dots). The fan should start and reach its maximum speed. If the fan does not start, or is turning too slow, turn off the power at the wall switch. Pull the fan's pull chain to change speeds. Reapply power and try High speed again. Repeat this procedure until you have confirmed that the fan's pull chain is set to High speed.

**WARNING!** Do not use the pull chain switch to change speeds. Pulling the chain while power is applied can damage the receiver or ceiling fan.



## OPERATION OF CONTROL

**Step 20.** Turn On wall switch, the light will turn On at maximum brightness.

### LIGHT OPERATION:

- Press and quickly release either of the 2 light buttons on the hand held remote to turn the light OFF or ON. Pressing the RIGHT button will turn the light On at full brightness. Pressing the LEFT button will turn the light On at low brightness.
- Press and hold the RIGHT light button for more than 1 second to turn the light ON and decrease from full brightness to OFF.
- Press and hold the LEFT light button for more than 1 second to turn the light ON and increase from low brightness to OFF.
- Release the light button when the desired light level is reached.
- Continue to hold the light button to repeat the cycle.
- While the light is ON, holding the RIGHT light button will decrease the light brightness and holding the LEFT light button will increase the light brightness.
- Turning the light OFF with either key resets the dimming function.

### FAN OPERATION:

- Press the High, Medium, or Low speed buttons to turn the ceiling fan ON at the desired speed.
- Press the fan OFF key to turn the ceiling fan OFF. For best fan operation: Allow the ceiling fan motor to start on High, then select the desired speed.
- You can change to any speed at any time by pressing the appropriate fan speed button.

### MANUAL LIGHT SWITCH OPERATION:

To turn the lights ON without the transmitter, turn OFF the wall switch for 5 seconds, then turn the wall switch back ON. The light will turn ON at maximum brightness, and the fan will be OFF. For everyday operation, leave the wall switch ON. However, if the control will not be used for an extended period of time (several days), turn the wall switch OFF.

## ADAPT•TOUCH™ TROUBLESHOOTING

### SYMPTOM

1. No functions operate

### POSSIBLE CAUSE

- Main power not restored.
- Fan pull chain not set to High.
- Light pull chain not set ON.
- Receiver wiring incorrect.
- Transmitter and receiver dip switches do not match.
- Battery too weak.

### SOLUTION

- Replace fuse. Turn ON circuit breaker. Turn ON wall switch.
- Turn OFF power at wall switch or main electric panel. Set fan to High speed.
- Set light kit to ON.
- Verify wiring connections.
- Set transmitter and receiver to same dip switch settings.
- Replace with new alkaline battery.

2. Operates only at close range.

a. Battery too weak.

a. Replace with new alkaline battery.

3. Inconsistent operation.

- RF interference.
- Continuing RF Interference

- Turn OFF wall switch for 5 seconds, then turn back ON.
- Change dip switch settings to a different code in both Transmitter and Receiver.

### CASABLANCA FAN COMPANY ADAPT•TOUCH™ CONTROL LIMITED WARRANTY

The Casablanca Fan Company makes the following limited warranty to the original purchaser of the ADAPT•TOUCH™ Control ("Control"): Your Control is warranted to be free from defects in material and workmanship for a period of one year from the date of sale. If the Control malfunctions or fails within the warranty period due to a defect in material or workmanship we will replace it free of charge. IF THE ORIGINAL PURCHASER CEASES TO OWN THE CONTROL, THIS WARRANTY AND ANY IMPLIED WARRANTY, INCLUDING BUT NOT LIMITED TO ANY IMPLIED WARRANTY OF MERCHANTABILITY OR FITNESS FOR A PARTICULAR PURPOSE, ARE VOIDED. THIS WARRANTY IS IN LIEU OF ALL OTHER EXPRESS WARRANTIES. THE DURATION OF ANY IMPLIED WARRANTY, INCLUDING, BUT NOT LIMITED TO, ANY IMPLIED WARRANTY OF MERCHANTABILITY OR FITNESS FOR A PARTICULAR PURPOSE, IN RESPECT TO ANY CONTROL, IS EXPRESSLY LIMITED TO THE PERIOD OF THE EXPRESS WARRANTY SET FORTH ABOVE FOR SUCH CONTROL. This warranty excludes malfunctions or failures, which were caused by repairs by persons not authorized by us, mishandling, improper installation, modifications, or damage to the Control while in your possession, or unreasonable use. This warranty does not apply to batteries or to deterioration or damage to the product caused by the use of faulty batteries. To obtain a replacement, return your Control postage prepaid along with proof of purchase to Casablanca Fan Company Service Department 761 Corporate Center Drive, Pomona, California 91768. IN NO EVENT SHALL CASABLANCA FAN COMPANY BE LIABLE FOR CONSEQUENTIAL OR INCIDENTAL DAMAGES. SOME STATES DO NOT ALLOW LIMITATIONS ON HOW LONG AN IMPLIED WARRANTY LASTS OR THE EXCLUSION OR LIMITATIONS OF INCIDENTAL OR CONSEQUENTIAL DAMAGES SO THE ABOVE LIMITATIONS OR EXCLUSIONS MAY NOT APPLY TO YOU. THIS WARRANTY GIVES YOU SPECIFIC LEGAL RIGHTS AND YOU MAY ALSO HAVE OTHER RIGHTS WHICH VARY FROM STATE TO STATE.