



**Description**

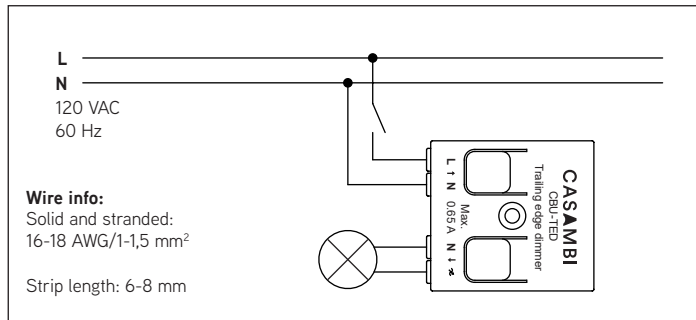
CBU-TED is a Bluetooth controllable trailing-edge dimmer for phase control of incandescent lamps, dimmable LED lamps and dimmable LED control gear. It is to be connected between the incoming line voltage and the light source. Maximum allowable ambient temperature must be taken into consideration when selecting the mounting location.

CBU-TED is able to control up to 75 W at 120 VAC.

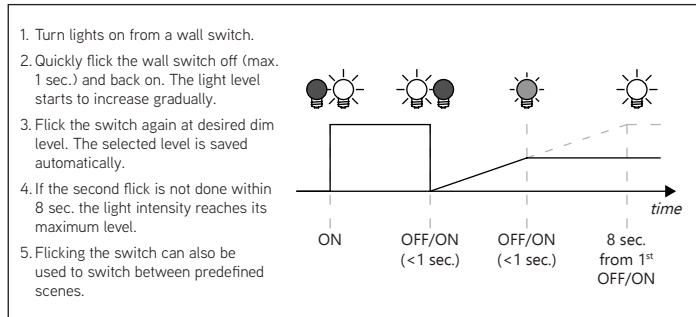
As a part of Casambi network, CBU-TED can be used to control lights based on multiple control strategies including preset scenes, automatic schedules and daylight responsive dimming.

CBU-TED can be configured and controlled with Casambi app, available for iOS and Android devices, as well as with traditional wall switches.

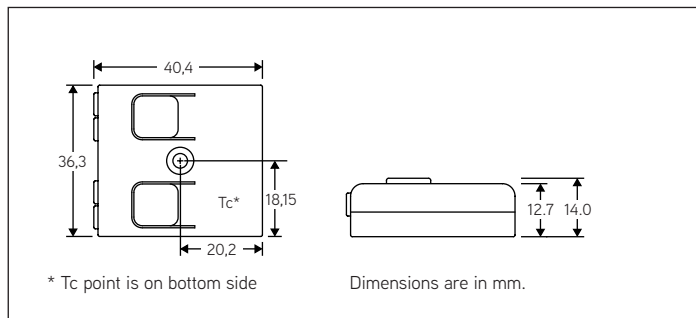
**Wiring diagram**



**Dimming without App**



**Dimensions**



**Technical data**

<b>Input</b>	
Voltage:	120 VAC
Frequency:	60 Hz
Max. mains current:	0,65 A
No-load standby power:	< 0,3 W
<b>Output</b>	
Dimming method:	trailing-edge phase control
Max. output power:	75 W @ 120 VAC
Max. output current:	0,65 A
Min. load requirement:	1 W
Max. inrush current:	10 A, 100 ms
<b>Radio transceiver</b>	
Operating frequencies:	2,4...2,483 Ghz
Maximum output power:	+4 dBm
<b>Operating conditions</b>	
Ambient temperature, ta:	-4°F to 113°F (-20 to +45°C)
Max. case temperature, tc:	167°F (+75°C)
Location of tc point:	bottom side, underneath output connector
Storage temperature:	-13°F to 122°F (-25...+50°C)
Max. relative humidity:	0...80%, non-cond.
<b>Connectors</b>	
Wire range, solid & stranded:	16-18 AWG 1-1,5 mm <sup>2</sup>
Wire strip length:	.25" (6-8 mm)
<b>Mechanical data</b>	
Dimensions:	1.60 x 1.45 x 0.55 inch 40,4 x 36,3 x 14,0 mm
Weight:	0.5 oz (15 g)
Degree of protection:	IP20 (indoor use only)
FCC ID:	2ALA3-CBUTED
IC:	22496-CBUTED
UL:	UL Listed, E494741
<b>Type of load</b>	
Incandescent and high voltage halogens (R)	75 W
High quality dimmable LED and CFL bulbs (C) <sup>1)</sup>	75 W
Trailing edge dimmable LED drivers (C) <sup>1)</sup>	75 W
Low voltage halogens with electronic transformers (C) <sup>1)</sup>	75 W
High voltage AC LED modules (R) <sup>2)</sup>	75 W
Non-dimmable fluorescent lamps, LED and CFL bulbs (C)	Not allowed
Wire wound transformers, electric motors and other inductive loads (I)	Not allowed
<b>Never connect inductive loads, such as iron core transformers. This could cause permanent damage to the dimmer. Do not mix different types of loads.</b>	
<sup>1)</sup> Dimming quality depends solely on the load electronics. Do not mix different types of bulbs or loads.	
<sup>2)</sup> Some LED modules may flicker at low dimming levels.	

## Installation

Make sure that the mains voltage is switched off before making any connections. Use 16-18 AWG solid or stranded conductor electrical wires. Strip the wire 6-8 mm from the end.

Press the buttons on top of the dimmer case and insert the wires to the corresponding holes. Make sure to connect the input and output correctly. Input connector is marked with letters L and N, while the output connector is marked with letter N and a symbol with a wave and an arrow ( $\infty$ ).

If you install the dimmer into a heat sensitive environment (e.g. inside a luminaire or in a ceiling outlet box above a luminaire), make sure that the ambient temperature does not exceed the specified maximum value. Using the dimmer in a heat sensitive environment may limit the maximum output power.

CBU-TED, as any other Casambi product, should not be placed in a metal enclosure, such as metal junction boxes. Metal will attenuate radio signals which are crucial to the operation of the product. If the product will have to be installed into a junction box, make sure to use a plastic junction box.

## Range

The range between two CBU-TEDs or between a CBU-TED and a smart phone can vary a lot depending on obstacles and surrounding material. In open air the range between two CBU-TEDs can be in excess of 200 ft, but if the unit is encapsulated into a metal structure, the range can be only few feet. Therefore, thorough testing is highly suggested.

Casambi uses mesh network technology so each CBU-TED acts also as a repeater. When testing the network, it is important to test that each unit can be controlled from any point of the network covered area.

## Compliance Statement

This device complies with part 15 of the FCC Rules. Operation is subject to the following two conditions:

- (1) This device may not cause harmful interference, and
- (2) this device must accept any interference received, including interference that may cause undesired operation.

## Radiation Exposure Statement for FCC

This device complies with FCC radiation exposure limits for an uncontrolled environment. This device shall be installed and operated with a minimum distance of 0.8" (2cm) between users or bystanders and the device.

## Warning

Changes or modifications not expressly approved by Casambi Technologies Oy could void the user's authority to operate the equipment.

## FCC Interference Statement

This equipment has been tested and found to comply with the limits for a Class B digital device, pursuant to Part 15 of the FCC Rules. These limits are designed to provide reasonable protection against harmful interference in a residential installation.

This equipment generates, uses and can radiate radio frequency energy and, if not installed and used in accordance with the instructions, may cause harmful interference to radio communications.

However, there is no guarantee that interference will not occur in a particular installation. If this equipment does cause harmful interference to radio or television reception, which can be determined by turning the equipment off and on, the user is encouraged to try to correct the interference by one of the following measures:

- Reorient or relocate the receiving antenna.
- Increase the separation between the equipment and receiver.
- Connect the equipment into an outlet on a circuit different from that to which the receiver is connected.
- Consult the dealer or an experienced radio/TV technician for help.

## Radiation Exposure Statement for Canada

This device complies with Industry Canada's licence-exempt RSSs. Operation is subject to the following two conditions:

- (1) This device may not cause interference
- (2) This device must accept any interference, including interference that may cause undesired operation of the device.

This equipment is exempt from the routine RF exposure evaluation requirements of RSS-102. This equipment should be installed and operated with a minimum distance of 20 cm between the antenna and the user or bystanders.

Le présent appareil est conforme aux CNR d'Industrie Canada applicables aux appareils radio exempts de licence. L'exploitation est autorisée aux deux conditions suivantes:

- (1) l'appareil ne doit pas produire de brouillage;
- (2) l'utilisateur de l'appareil doit accepter tout brouillage radioélectrique subi, même si le brouillage est susceptible d'en compromettre le fonctionnement.

Ce matériel n'est pas sujet à l'évaluation habituelle d'exposition RF selon RSS102. Ce matériel devrait être installé et exploité en gardant une distance minimale de 20 cm entre l'antenne et l'utilisateur ou les spectateurs.