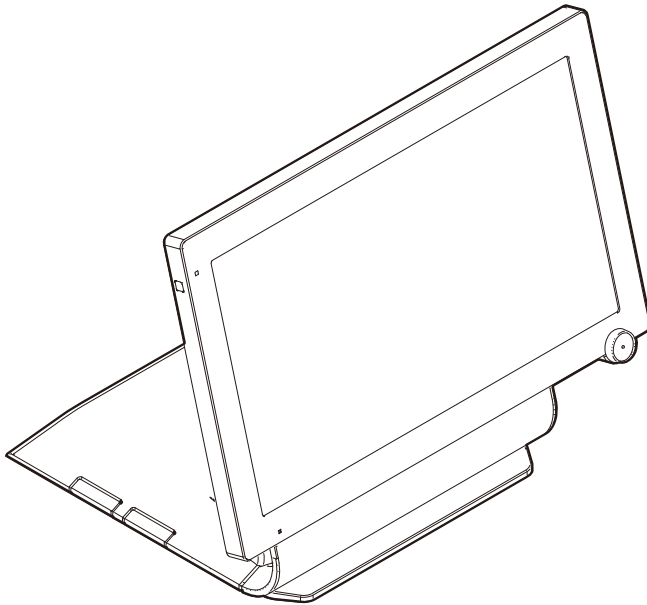


User's Manual  
Manual del usuario  
Manuel de l'utilisateur  
Bedienungsanleitung

**CASIO**<sup>®</sup>

# V-R7000 V-R7100

Touch Screen Terminal  
Terminal de pantalla táctil  
Borne de l'écran tactile  
Touchscreen-Terminal



English

Español

Français

Deutsch





Thank you very much for purchasing the V-R7000/R7100. Please read this User's Manual thoroughly and use the product accordingly. Please pay particular attention to the "Safety Precautions". Please keep the User's Manual in a safe and convenient place for future reference after reading.

## Contents





Safety Precautions .....	E-2
Precautions for Use.....	E-8
Confirming the Accessories.....	E-10
<b>Basic Operation .....</b>	<b>E-11</b>
Name of Parts and What They Do .....	E-12
Power ON/OFF .....	E-15
Daily Use .....	E-15
Moving and Cleaning .....	E-16
Description of the Indicator .....	E-17
Adjusting the Angle of the Display.....	E-18
When the Drawer Does not Open (if using the optional CASIO drawer).....	E-18
<b>Installation.....</b>	<b>E-19</b>
Name of Parts and What They Do .....	E-20
Connecting the Power Supply and Various Devices.....	E-22
Connecting the Drawer cable .....	E-22
Connecting the AC Adaptor .....	E-23
Connecting Other Devices.....	E-23
Preparing the Stand.....	E-25
Setting the Stand and the Display.....	E-26
Installation features .....	E-28
MCR Unit (VA-B46MCRE) Installation.....	E-29
Specification .....	E-30

# Safety Precautions

- Please read this “Safety Precautions” thoroughly and use the product accordingly.
- Please pay due attention to the following symbols to help you use the product safely and properly and to avoid any personal injury or damage to the product.



 <b>Warning</b>	This symbol indicates the contents that may cause death or serious injury to a person when the product is misused ignoring this symbol.
 <b>Caution</b>	This symbol indicates the contents that may cause injury to a person or property damage when the product is misused ignoring this symbol.

- The “pictorial indications” in this manual have the following meanings.


	This symbol means “to be careful = caution”. The example at left is “caution for electrical shock”.
	This symbol means “must not do = prohibited”. The example at left is “prohibited to disassemble”.
	This symbol means “something must be done = instruction”. The example at left is “disconnect the power plug from the outlet”. The “instructions difficult to express in picture” are indicated by  .

## **Warning**


### Using the AC power supply

-  • Do not twist, pull, heat, modify, or place anything heavy on the power cord. This may damage the power cord and result in fire or electrical shock.
-  • Contact the dealer or the CASIO service representative when the power cord is damaged (wire is exposed or disconnected). Using the power cord in such condition may result in fire or electrical shock.
- Securely insert the power plug all the way.
- Do not touch the power plug with wet hands. This may result in electrical shock.
- Do not use any AC adaptor or the power cord other than the parts included in the product. Also, do not use the AC adaptor or the power cord included in the product with other product. This may result in fire or electrical shock.

### Power supply voltage

-  • Do not use with any voltage other than the indicated power supply voltage. This may result in fire or electrical shock.
- Do not overload the outlet with wires. This may result in fire or electrical shock.

### Do not disassemble or modify

-  • Do not disassemble or modify the product. There are high voltage parts and sharp parts inside. Touching them may result in injury or electric shock, or cause a malfunction or fire.

 **Warning**

**Do not let any foreign object or water get inside**



- Do not insert or drop metal object or flammable object inside from the opening.
- Do not spill any liquid such as water from a flower vase, coffee, juice, etc., inside this product.




- Disconnect the power plug from the outlet and contact the dealer where the product was purchased or the CASIO service representative when a foreign object or water got inside the product. Using the power cord in such condition may result in fire or electrical shock.

**Do not use the product in abnormal condition**



- It may result in fire or electrical shock when the product is used in abnormal condition such as overheating, it is smoking, have strange odor, etc. Immediately disconnect the power plug from the outlet and contact the dealer where the product was purchased or the CASIO service representative.

 **Caution**

**Installation location**



- Do not place in unstable locations such as on an unsteady table or an inclined location. It could fall and cause injury.
- Do not place in a location with high humidity or dust. This may result in fire or electrical shock.
- Do not place in a location exposed to oil smoke or humidity such as close to cooking table or humidifier. This may result in fire or electrical shock.
- Do not place in a location close to heating devices such as a stove or a heater, or location directly exposed to hot air. This may result in fire.
- Select the outlet where the power cord of this product is easily reached, and plug/unplug of the power plug can easily be performed.

**Do not place anything on top**




- Do not place flower vase or flower pot, cup or container with liquid, or metal object.
- Do not place anything that is hot such as cigarette.
- Do not place anything heavy.
- Do not place your hands and lean on the product.

**When moving the product**



- Always disconnect the power plug from the outlet before moving.
- Always hold onto the plug when unplugging the power plug.
- Pulling on the power cord may damage the cord, resulting to fire or electrical shock.

 **Caution**

**LCD**



- Do not press hard on the LCD or apply strong impact. This may crack the glass on the LCD, resulting in injury.
- Never touch the liquid from inside when the LCD is cracked. This may result in irritation to the skin.
- Immediately rinse the mouth and contact the physician when the liquid inside the LCD gets inside the mouth.
- Rinse for minimum of 15 minutes with clean running water and contact the physician when the liquid inside the LCD gets in the eye or on the skin.

**Handling of screen and key**



- Do not press the touch screen or keys at side with a sharp object or hard object such as ballpoint pen. This may result in malfunction.
- Press with finger instead of pressing hard with finger nail when operating.

**Adjustment of display**



- Take care not to pinch finger with the tilt knob and its surrounding when adjusting the angle of the display. This may result in injury.

**Drawer (If using the optional CASIO drawer)**



- Take caution with the face of a child or pregnant person when opening a drawer.
- Do not lean on the drawer when the drawer is opened. It could fall and cause injury.



**Cleaning**



- Unplug the power plug from the outlet for safety when cleaning.
- Clean the blades and surrounding of the blades of the power plug with a dry cloth at least once a year. Dust accumulation may result in fire. Do not use detergent to clean the power plug.



**When not using for a long period**



- Unplug the power plug from the outlet for safety when not using this product for a long period such as consecutive holidays.

**Handling of Wireless Communication Function**

 **Warning**

**Interference with the Operation of Other Equipment  
(Using Wireless Data Communication)**



- In hospitals and other facilities where medical equipment is present, follow the instructions provided by the facility. In particular, turn OFF the power or the wireless communication function in operating theaters, intensive care units, coronary care units or any area where use of such products is prohibited by the facility.

## Regulatory Information

### Model name

Series name	Model name	Destination region/country				Radio frequency (WLAN) (Bluetooth)
		North America	Europe	Australia	Other countries	
V-R7100	V-R7100-C	○				○
	V-R7100-BD		○			○
	V-R7100-AUS			○		○
	V-R7100-U				○	○
V-R7000	V-R7000-C	○				
	V-R7000-BD		○			
	V-R7000-U				○	

### The USA and Canada

#### GUIDELINES LAID DOWN BY FCC RULES FOR USE OF THE UNIT IN THE U.S.A. (Not applicable to other areas)

**WARNING:** This equipment has been tested and found to comply with the limits for a Class A digital device, pursuant to Part 15 of the FCC Rules. These limits are designed to provide reasonable protection against harmful interference when the equipment is operated in a commercial environment. This equipment generates, uses, and can radiate radio frequency energy and, if not installed and used in accordance with the instruction manual, may cause harmful interference to radio communications. Operation of this equipment in a residential area is likely to cause harmful interference in which case the user will be required to correct the interference at his own expense.

**FCC WARNING:** Changes or modifications not expressly approved by the party responsible for compliance could void the user's authority to operate the equipment.

#### Caution Exposure to radio frequency radiation

To comply with FCC RF exposure compliance requirements, a separation distance of at least 20cm must be maintained between the antenna of this device and all persons. This device must not be co-located or operating in conjunction with any other antenna or transmitter except in accordance with the FCC multi-transmitter product procedures or as described in the filing.

#### For Users in Canada

These Class A digital apparatuses comply with Canadian ICES-003.  
Cet appareil numérique de la classe A est conforme à la norme NMB-003 du Canada.

This device complies with Industry Canada licence-exempt RSS standard(s). Operation is subject to the following two conditions: (1) this device may not cause interference, and (2) this device must accept any interference, including interference that may cause undesired operation of the device.

Le présent appareil est conforme aux CNR d'Industrie Canada applicables aux appareils radio exempts de licence. L'exploitation est autorisée aux deux conditions suivantes : (1) l'appareil ne doit pas produire de brouillage, et (2) l'utilisateur de l'appareil doit accepter tout brouillage radioélectrique subi, même si le brouillage est susceptible d'en compromettre le fonctionnement.

**Caution Exposure to radio frequency radiation**

To comply with IC RF exposure compliance requirements, a separation distance of at least 20cm must be maintained between the antenna of this device and all persons. This device must not be co-located or operating in conjunction with any other antenna or transmitter except in accordance with the IC multi-transmitter product procedures or as described in the filing.

**Caution:****Users should also be advised that**

- (i) the device for operation in the band 5150-5250 MHz is only for indoor use to reduce the potential for harmful interference to co-channel mobile satellite systems;
  - (ii) the maximum antenna gain permitted for devices in the bands 5250-5350 MHz and 5470-5725 MHz shall comply with the e.i.r.p. limit; and
  - (iii) the maximum antenna gain permitted for devices in the band 5725-5825 MHz shall comply with the e.i.r.p. limits specified for point-to-point and non point-to-point operation as appropriate.
- High-power radars are allocated as primary users (i.e. priority users) of the bands 5250-5350 MHz and 5650-5850 MHz and that these radars could cause interference and/or damage to LE-LAN devices.

**Les utilisateurs devraient aussi être avisés que**

- (i) les dispositifs fonctionnant dans la bande 5 150-5 250 MHz sont réservés uniquement pour une utilisation à l'intérieur afin de réduire les risques de brouillage préjudiciable aux systèmes de satellites mobiles utilisant les mêmes canaux;
- (ii) le gain maximal d'antenne permis pour les dispositifs utilisant les bandes 5 250-5 350 MHz et 5 470-5 725 MHz doit se conformer à la limite de p.i.r.e.;
- (iii) le gain maximal d'antenne permis (pour les dispositifs utilisant la bande 5 725-5 825 MHz) doit se conformer à la limite de p.i.r.e. spécifiée pour l'exploitation point à point et non point à point, selon le cas.

De plus, les utilisateurs de radars de haute puissance sont désignés utilisateurs principaux (c.-à-d., qu'ils ont la priorité) pour les bandes 5 250-5 350 MHz et 5 650-5 850 MHz et que ces radars pourraient causer du brouillage et/ou des dommages aux dispositifs LAN-EL.

Under Industry Canada regulations, this radio transmitter may only operate using an antenna of a type and maximum (or lesser) gain approved for the transmitter by Industry Canada. To reduce potential radio interference to other users, the antenna type and its gain should be so chosen that the equivalent isotropically radiated power (e.i.r.p.) is not more than that necessary for successful communication.

Conformément à la réglementation d'Industrie Canada, le présent émetteur radio peut fonctionner avec une antenne d'un type et d'un gain maximal (ou inférieur) approuvé pour l'émetteur par Industrie Canada. Dans le but de réduire les risques de brouillage radioélectrique à l'intention des autres utilisateurs, il faut choisir le type d'antenne et son gain de sorte que la puissance isotrope rayonnée équivalente (p.i.r.e.) ne dépasse pas l'intensité nécessaire à l'établissement d'une communication satisfaisante.

**WARNING**

THIS IS A CLASS A PRODUCT. IN A DOMESTIC ENVIRONMENT THIS PRODUCT MAY CAUSE RADIO INTERFERENCE IN WHICH CASE THE USER MAY BE REQUIRED TO TAKE ADEQUATE MEASURES.



## Europe



Manufacturer: CASIO COMPUTER CO., LTD.  
6-2, Hon-machi 1-chome, Shibuya-ku, Tokyo 151-8543, Japan  
Responsible within the European Union: CASIO EUROPE GmbH  
CASIO-Platz 1, 22848 Norderstedt, Germany

Please keep all information for future reference.  
The declaration of conformity may be consulted at <http://world.casio.com/>

### V-R7100

Products are for distribution within all member states of the EU.



Laite on liitettävä suojamaadoituskostkeettimilla vaurstettuun pistorasiaan  
Apparatet må tilkoples jordet stikkontakt  
Apparaten skall anslutas till jordat nätuttag.

The main plug on this equipment must be used to disconnect mains power.  
Please ensure that the socket outlet is installed near the equipment and shall be easily accessible.

## Precautions for Use

Read the following items thoroughly and use this product properly. CASIO bears no responsibility whatsoever for malfunction or damage caused by handling not following below contents. Please note that it will also result in charged repair, and actual cost required for repair will be charged, even if it is within the warranty period.

### Installation Location

---

Do not place in a hot or dusty location, or in any location exposed to oily smoke or water. Never store or leave in following locations. This could erase the memory and cause a malfunction or result in deformation of the case.

- Temperature of 0°C or lower
- Close to air conditioner
- Under direct sunlight
- Temperature of 40°C or higher

Avoid using this product in following locations.

- Outdoor
- Close to equipment that will become hot such as range, electrical heater, etc.
- Location exposed to water or steam
- Location with severe change in environment such as temperature, humidity, etc.
- Location where corrosive gas or saline matter is generated
- Location where dirt or dust is generated
- Location with vibration
- Location prone to static electricity

### Dead Pixels

---

The LCD panel employed in this product uses high precision and substantial number of components which commonly cause a small number of the pixels not to light or to remain lit all the time. This is due to the characteristics of LCD panel yield in accuracy over 99.99% and permissible.

### 802.11a/n Restrictions

---

- This product is for indoor use only when using channels 36, 40, 44, 48, 52, 56, 60, or 64 (5150-5250 MHz).
- To ensure compliance with local regulations, be sure to select the country in which the access point is installed.

### Other

---

- Prepare separate AC power supply from the power line for motor, ice maker, microwave oven, etc., which may generate noise.
- Do not touch the power switch with wet hands. This may result in electrical shock.
- Wipe thoroughly with dry cloth, etc., when there is any water droplet on the device.
- Do not use any volatile chemical such as thinner, benzene, cosmetics, etc., for cleaning. Wipe with dry soft cloth when this product gets dirty. The display section may be scratched when scuffed strongly with a cloth.
- The cover or the plastic case for the terminal may discolor or be damaged when thinner, gasoline, kerosene, various solvents, grease, any cleaner including them, adhesive, paint, medical agent, cosmetics, etc., are adhered. Please be cautious.

## Take Advance Notice of the Following

---

- The content of this manual may be changed without prior notice due to improvement or specification change of the product.
- Please note that CASIO bears no responsibility for damage, loss of profit, or any claim from third party due to loss or change of data caused by usage, malfunction, or repair of this product.
- The copyright for this manual and all rights related to the software described in this manual are the property of CASIO Computer Co., Ltd. The unauthorized reproduction of this manual in whole or part is prohibited without the written permission of CASIO.
- The content of this manual was created with all possible care, but please contact us if there is any unclear point, mistake, omission, etc., in this manual.
- The screen or illustration used in this manual may be different from the actual product. The keys and icons are described in simplified manner.
- Weld Line

The line on the exterior of the product is called “weld line”, which is created at the time of plastic forming, and it is not a crack or a scratch. This will not interrupt the usage.

## Trademark Registration

---



SD, SDHC, microSD and microSDHC are trademarks of SD-3C, LLC.



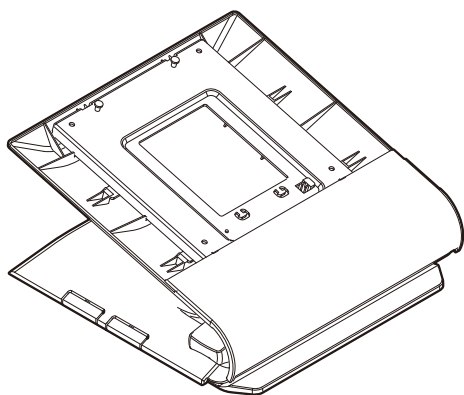
HDMI (High-Definition Multimedia Interface) and the HDMI logo are trademarks of HDMI Licensing, LLC.

Android logo are trademarks or registered trademarks of Google, Inc.

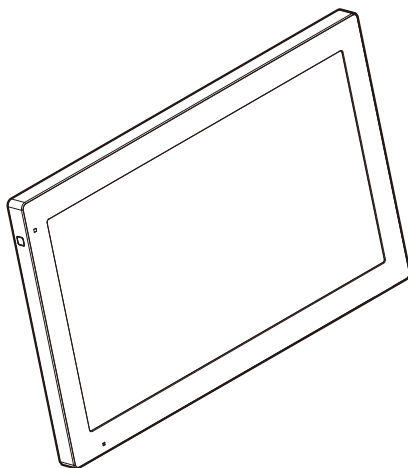


BLUETOOTH is a registered trademark owned by Bluetooth SIG, Inc. and licensed to CASIO Computer Co., Ltd.

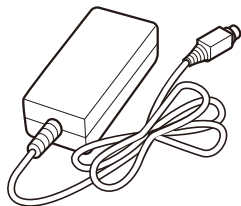
## Confirming the Accessories



Stand



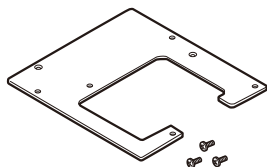
Display



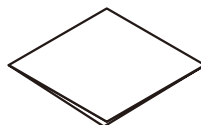
AC adaptor



Drawer cable



Connector cover



Dust cover

- Power cord (US only)
- User's Manual (this manual)
- Warranty (US only)

# Basic Operation

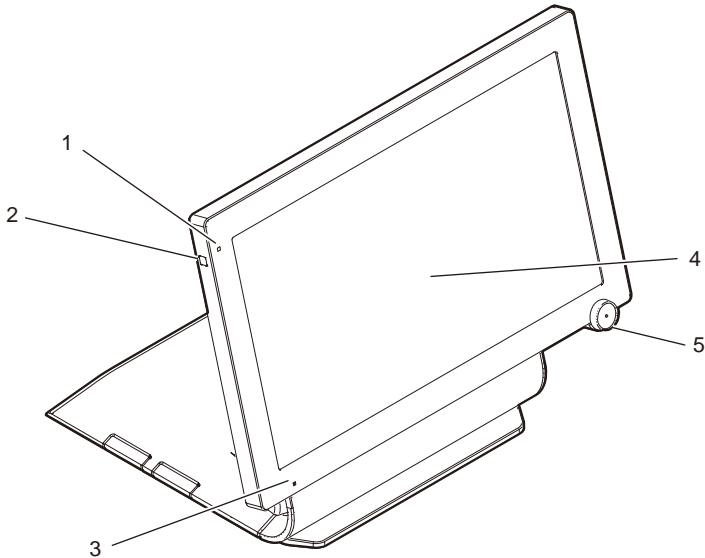
This chapter describes about the basic operation method of this product after the installation.

<b>Name of Parts and What They Do</b> . . . . .	<b>E-12</b>
<b>Power ON/OFF</b> . . . . .	<b>E-15</b>
Daily Use . . . . .	E-15
Moving and Cleaning . . . . .	E-16
<b>Description of the Indicator</b> . . . . .	<b>E-17</b>
<b>Adjusting the Angle of the Display</b> . . . . .	<b>E-18</b>
<b>When the Drawer Does not Open (if using the optional CASIO drawer)</b> . . . . .	<b>E-18</b>

## Name of Parts and What They Do

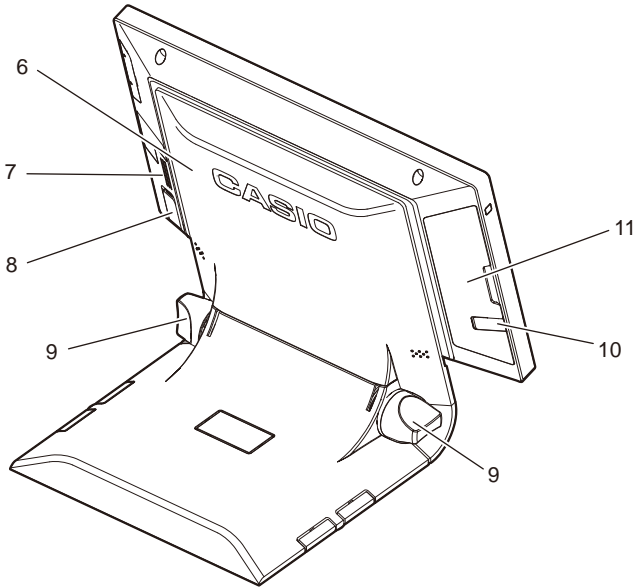
\* The operation of the various parts is described with reference to the illustration of the display mounted on the stand.

### <Front>



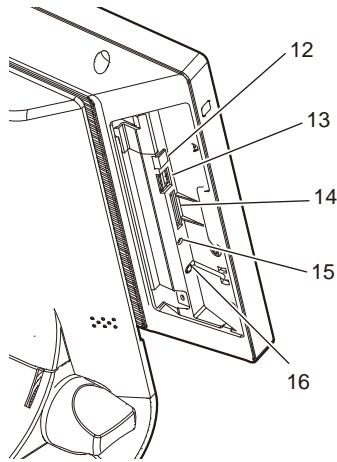
- |                      |  |
|----------------------|--|
| 1 Indicator          | Display the status of the power supply.  |
| 2 Power switch       | Turn the power ON. It will display the shutdown menu when pressed and held. Switch the ON and OFF of the screen display. |
| 3 Microphone         | Input the audio.   |
| 4 Touch screen panel | Display each menu. Used for data input.  |
| 5 Dallas key         | For operators to sign on and off. (Factory option)   |

## &lt;Rear&gt;



- |    |                         |   |
|----|-------------------------|---|
| 6  | Rear cover              | Open when connecting the power supply or various devices. |
| 7  | Speaker                 | Output the audio.   |
| 8  | Main power switch cover | Cover for the main power switch.                          |
| 9  | Tilt knob               | Adjust the angle of the display.                          |
| 10 | Earphone jack cover     | Cover for the earphone jack.                              |
| 11 | Side cover              | Cover for various switches and slots at the left side.    |

**<Left side (when the side cover is opened)>**



- |   |                                       |
|---|---------------------------------------|
| 12 OFF switch                                 | Turn the power OFF.                   |
| 13 USB (host) port (for maintenance)          | A port for maintenance. Do not use.   |
| 14 SD/SDHC memory card slot (for maintenance) | A slot for maintenance. Do not use.   |
| 15 Reset switch (for maintenance)             | A switch for maintenance. Do not use. |
| 16 Earphone jack                              | Connect the earphone.                 |



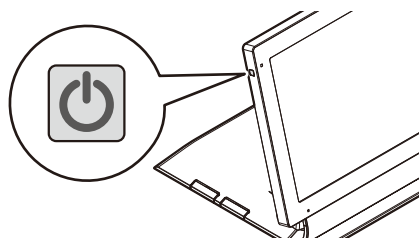
## Power ON/OFF

This product has 3 power switches, the main power switch, power switch, and the OFF switch.

### Daily Use

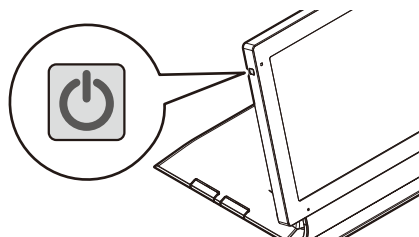
#### Turning the Power ON

1. Press the power switch.  
The screen will turn on.



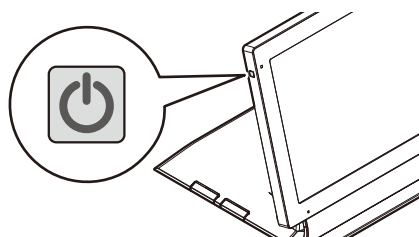
#### Turning to sleep mode

1. Press the power switch while the power is ON.  
The screen will turn off.
  - The screen is turned off but the main body is operating while in sleep mode.



#### Turning the Power OFF (shutdown)

1. Press and hold the power switch for 10 seconds or longer.
2. Touch the "Power off" display.



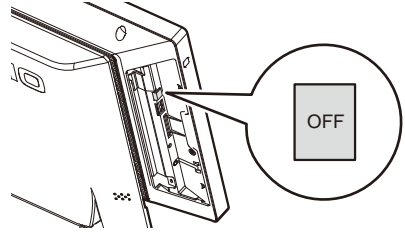
## Moving and Cleaning

When moving or cleaning the product, always shut down the main unit before turning OFF the main power switch. Also, always make sure that the main power switch is OFF before removing or inserting the plug.

### 1. Shut down the main unit.

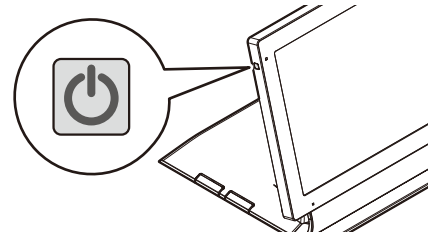
#### Using the OFF Switch

- (1) Press and hold the OFF switch for approximately 1 second.
- (2) Touch the "Power off" display.

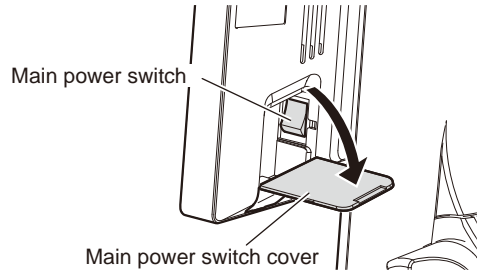


#### Using the Power Switch

- (1) Press and hold the power switch for 10 seconds or longer.
- (2) Touch the "Power off" display.



- ### 2. Turn the main power switch OFF.
- Remove the main power switch cover and turn OFF the main power switch.



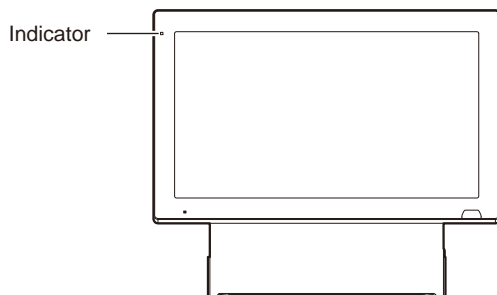
The data may be damaged when above procedure is not done properly. Do not use the main power switch to turn the main unit ON/OFF during normal use.

### 3. Remove the power plug.

- ### 4. After moving or cleaning the product, plug in the power plug and switch ON the main power switch.

## Description of the Indicator

The status is indicated by the ON, flashing, or OFF of the indicator.

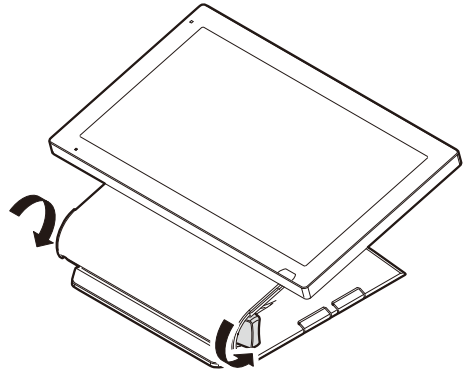


Indicator	Status
Green light is ON	Power is ON/screen is ON
Orange light is ON	Power is ON/screen is OFF
Green and red lights flashing with screen ON Red and orange lights flashing with screen OFF	Memory protection battery not charged *Do not turn OFF the main power switch or remove the power plug with the display in this state.
OFF	Power is OFF (shutdown)

## Adjusting the Angle of the Display

Adjust the angle of the display to the appropriate position for comfortable operation.

1. Loosen the tilt knob in the direction indicated in the illustration for 1 rotation or more and raise the top of the stand.

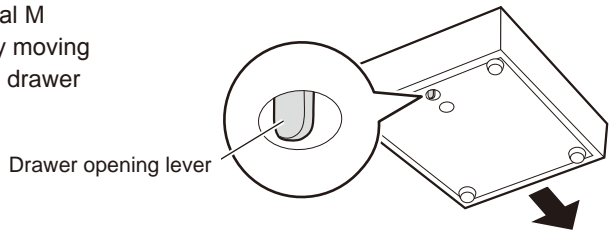


Take caution not to pinch finger with the tilt knob and its surrounding when adjusting the angle of the display. There may be a risk of injury.

## When the Drawer Does not Open (if using the optional CASIO drawer)

If the drawer fails to open due to a power cut or fault, open it by doing the following.

If you are using a CASIO optional M size drawer, it can be opened by moving the drawer release lever (tab on drawer bottom).



The drawer will not open if it has been locked with the drawer lock key. Unlock the lock.

If you are using a CASIO optional L size drawer, it can be opened by turning the drawer key in the drawer lock.

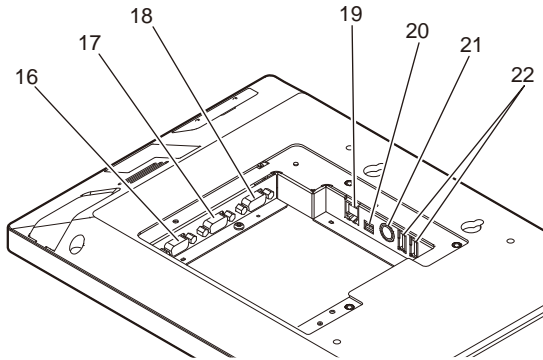
# Installation

This chapter is about the installation. Please read these instructions before starting installation. During use of the product, read these instructions if you have disconnected the cables of the product to move it and do not know how to reconnect them.

<b>Name of Parts and What They Do</b> .....	<b>E-20</b>
<b>Connecting the Power Supply and Various Devices</b> .....	<b>E-22</b>
Connecting the Drawer cable .....	E-22
Connecting the AC Adaptor .....	E-23
Connecting Other Devices .....	E-23
Preparing the Stand .....	E-25
Setting the Stand and the Display .....	E-26
Installation features .....	E-28
MCR Unit (VA-B46MCRE) Installation .....	E-29

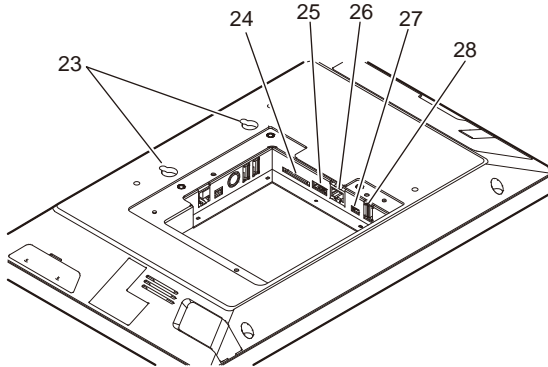
## Name of Parts and What They Do

<Left side on the back of the display>



16 COM3 port	Connect device such as customer display, etc.
17 COM2 port	Connect device such as printer, etc.
18 COM1 port	Connect device such as printer, etc.
19 Drawer port for 24 V	Connect the drawer cable.
20 Drawer port for 5 V	Connect the drawer cable.
21 DC jack	Connect the AC adaptor.
22 USB (host) port	Connect the USB device.

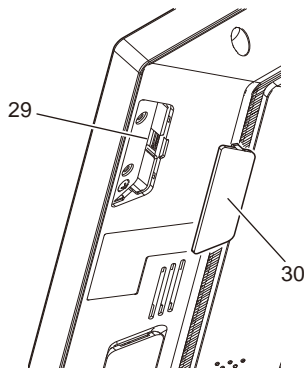
<Right side on the back of the display>



- 23 Mounting holes
- 24 SD/SDHC memory card slot
- 25 HDMI port
- 26 LAN port
- 27 Micro USB (client) port
- 28 USB (host) port

- Hook onto the hook of the stand when using the stand.
- Insert the SD or the SDHC memory card.
- Connect the HDMI device.
- Connect the LAN cable.
- Connect the micro USB device.
- Connect the USB device.

<MCR Unit Installation Parts>



- 29 MCR unit connector
- 30 MCR unit cover

- Connect the MCR unit connector.
- Cover the MCR unit connector.

# Connecting the Power Supply and Various Devices

Connect the power supply and devices to be used.



Keep the main power switch in OFF position until all the connections are completed.

- Use a Phillips screwdriver and pliers to make the connections. Prepare in advance.
- Work with the touch screen panel grounded on the floor. Place a cloth or paper in advance so the panel will not get dirty or scratched.

## POINT

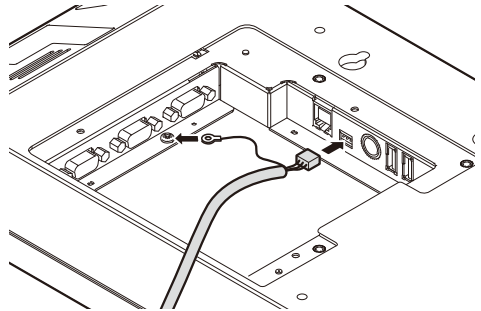
When using an optional printer, SD card and HDMI device, connect them in the following order. The devices we recommend that you connect first have large connectors. If you do not connect these first, they may obstruct the connection of other devices and prevent such work being performed.

### Order of Connection

1. Devices connecting to the COM1, COM2, and COM3 ports
2. SD card
3. HDMI
4. Other

## Connecting the Drawer cable

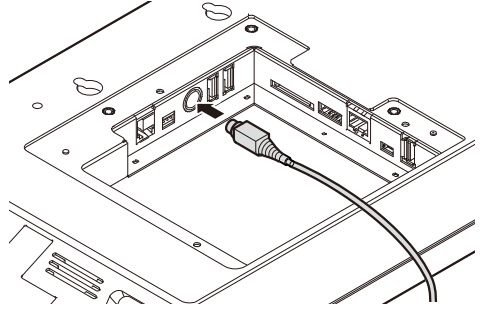
1. Connect the ground wire to the ground terminal located within the back of the display, and then connect the drawer cable to the drawer port.





## Connecting the AC Adaptor

- Route the cable through the stand and connect the AC adaptor to the DC jack located within the back of the display.



## Connecting Other Devices

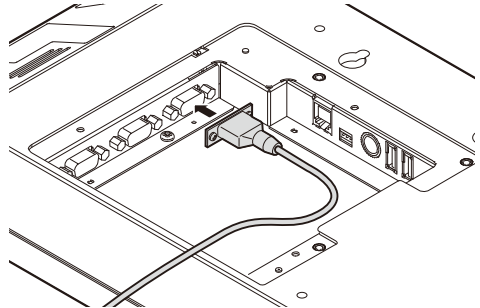
Connect the optional device to the following connector.

Option	Connector
Remote printer: UP-400B, UP-370B	COM1, COM2, COM3 port
Customer display: VA-B60D	COM2, COM3 port
Expansion I/F box: VA-B20EB	USB host port

- For details, refer to the User's Manual for each option.

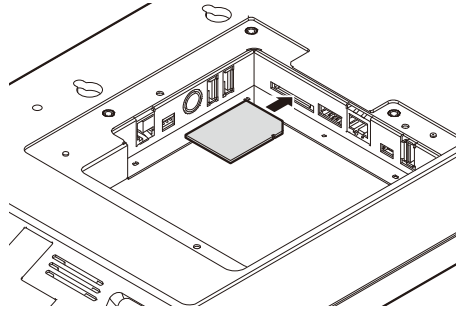
## Connecting the Printer Cable

- Connect the printer cable plug with screws to the COM1 port located within the back of the display.



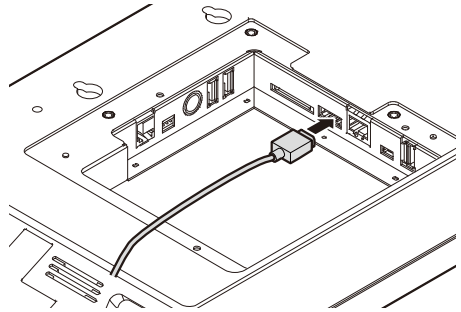
### Insert the SD Card

- (1) Insert the SD card, front-side up, into the SD/SDHC memory card slot located within the back of the display.

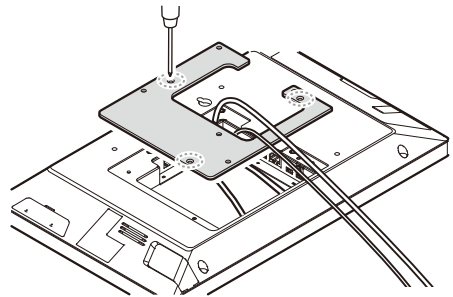


### Connecting the HDMI Device

- (1) Connect the HDMI cable to the HDMI port within the back of the display.



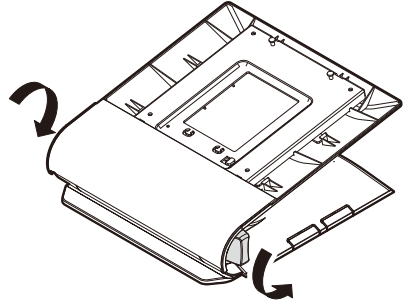
- 3.** After completing the connection of all devices you plan to use, install the supplied connector cover with 3 screws.



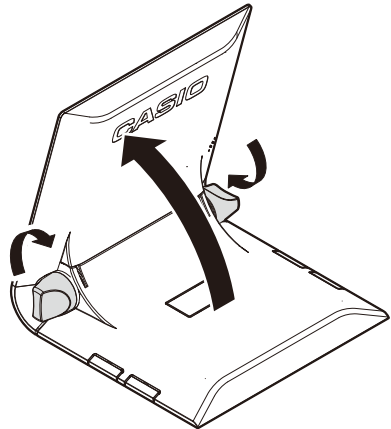
During installation, take care not to trap the connected cable between the connector cover and the display.

## Preparing the Stand

1. Loosen the tilt knobs by turning them through at least 1 full rotation in the directions shown.

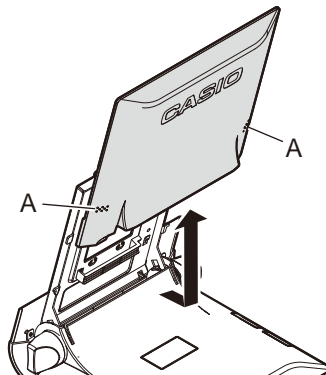


2. Raise the upper part of the stand. Then, while holding it steady, secure it by tightening the tilt knobs one side at a time in the directions shown.



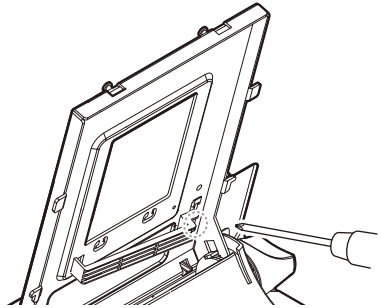
Always loosen the tilt knob when moving the stand. Moving without loosening the tilt knob will result in malfunction.

3. Remove the rear cover by pressing at the locations marked "A" and sliding in the direction of the arrow.

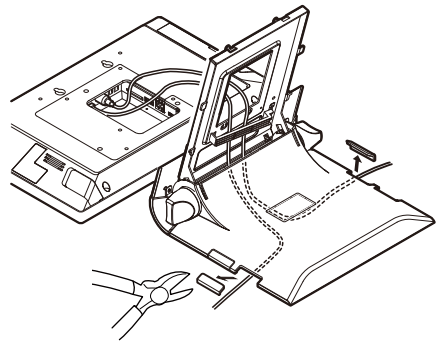


## Setting the Stand and the Display

1. Loosen and remove the screw for the cable fastener at the bottom of the opening of the stand with a Phillips screwdriver.

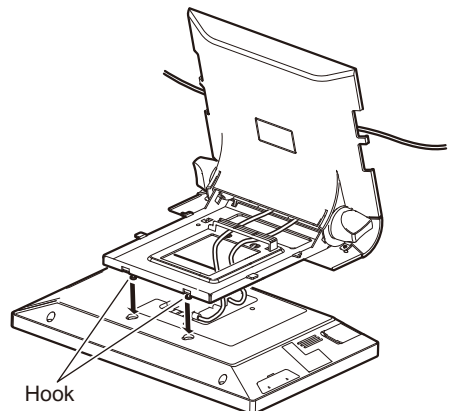


2. Route the connected cables into the stand, passing them through the opening. Remove the cutouts at the 4 locations in the stand base with pliers and pull the cables through.

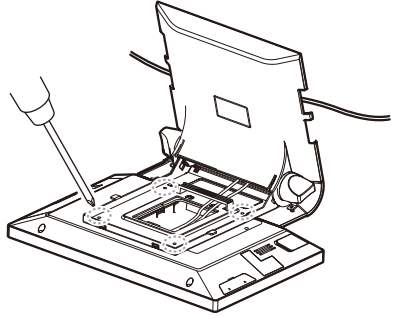


Do not insert fingers into the cutout. This may result in injury.

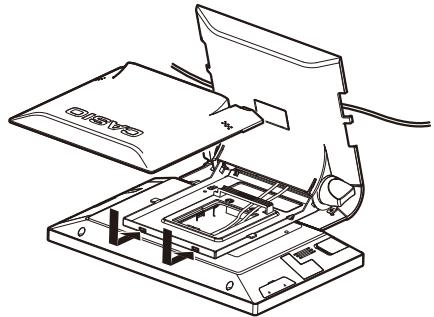
3. Hook the display onto the tab on the stand and adjust the routed cables so they will not sag too much or be too tight. Arrange the cables so they will not overlap, and fasten with the cable fastener and secure with a screw.



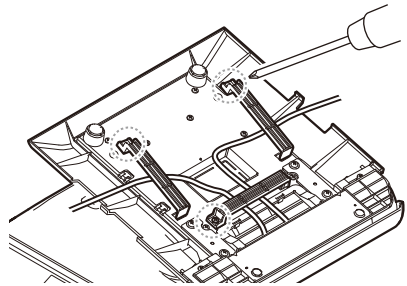
- 4.** Fasten the stand to the display with 4 screws.



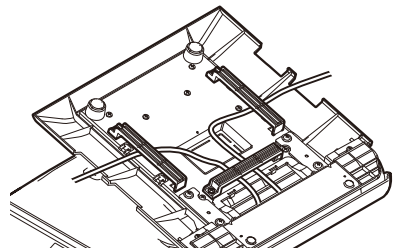
- 5.** Attach the rear cover to the stand in the direction of the arrow.



- 6.** Loosen and remove the screws for the 3 cable fasteners at the bottom of the stand with a Phillips screwdriver.



- 7.** Adjust the routed cables so they will not sag too much or be too tight. Arrange the cables so they will not overlap, and fasten with the cable fastener and secure with a screw.



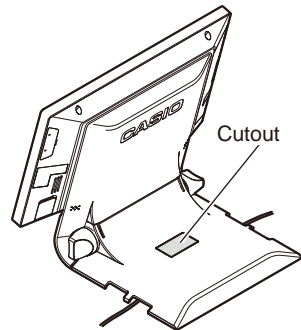
8. Raise the display. Then, while holding it steady, secure it by tightening the tilt knobs one side at a time in the directions shown.



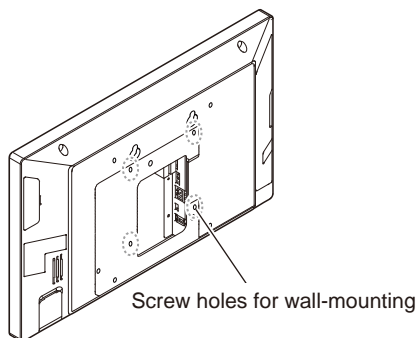
9. Connect the AC adaptor with the power cord, and plug into a power outlet.

### Installation features

- A screen for customers can be installed. To do so, remove the cutout in the base of the stand with pliers.



- The display may be wall-mounted. In this case, the stand is not used.



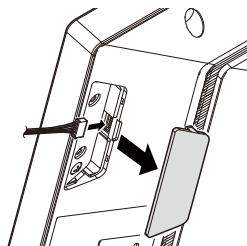
For further details, contact the CASIO service representative.

### MCR Unit (VA-B46MCRE) Installation

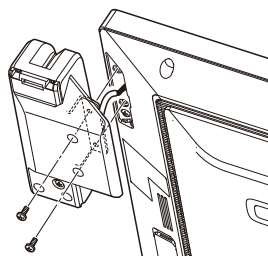


Before installation, be sure to turn the main power switch OFF and remove the plug from the power outlet.

- (1) Remove the MCR unit cover with a Phillips screwdriver etc. and connect the MCR unit connector.



- (2) Install the MCR unit as shown in the illustration and secure it with 2 screws (supplied).



During installation, take care not to trap the connected cable between the MCR unit and the display.

For how to install a printer or other optional device, refer to the Operating Instructions supplied with the optional device.

# Specification

Item	Specification	
Model	V-R7000/7100	
Display	Type	15.6 inch WXGA color TFT liquid crystal display
	Resolution	1366 x 768
	Backlight	White LED
Touch panel	Method	4-wire resistive film
	Size	15.6 inch
Wireless LAN (V-R7100 only)	Standard	IEEE 802.11a/b/g/n
Bluetooth (V-R7100 only)	Supported version	Bluetooth standard Ver2.0+EDR
Memory protection	Battery	Lithium ion rechargeable battery
	Memory holding	Approximately 24 hours (used at 25°C)
	Time holding	Approximately 30 days
	Battery life	5 years (used at 25°C)
	Charge time	Full charge in 3 hours (used at 25°C)
Power supply/power consumption	120 V ac ±10 V 50/60 Hz 0.5 A 230 V ac ±10 V 50/60 Hz 0.3 A 220 V to 240 V ac ±10 V 50/60 Hz 0.3 A	
External interface	Side of display	SD/SDHC memory card slot x 1 USB host port x 1 Earphone jack x 1
	Rear of display	COM port x 3 Drawer port x 2 DC jack x 1 USB host port x 3 SD/SDHC memory card slot x 1 HDMI port x 1 LAN port x 1 Micro USB client port x 1
Temperature/humidity (operation)	0°C to 40°C/10% to 90% RH	
External dimensions	W 400 mm x D 300 mm x H 335 mm W 400 mm x D 45 mm x H 250 mm (display only)	
Weight	Approximately 7.0 kg	
	Approximately 3.5 kg (display only)	



Item	Specification
Option	Remote printer: UP-400B, UP-370B Customer display: VA-B60D Customer display serial cable (40 cm): QT-6061CB-B Customer display serial cable (5 m): QT-6062CB-B Expansion I/F box: VA-B20EB Drawer (M size): DL-2814, DL-2815, DL-2436 (L size): DL-3624, DL-3625 Drawer extension cable: VA-B30CB MCR unit: VA-B46MCRE

