

INTRODUCTION

Your 2500 cordless phone is designed to give you flexibility in use, and high quality performance. To get the most from your new cordless phone, we suggest that you take a few minutes to read through this instruction manual.

Read "Getting Started" and "Cordless Phone Basics" to learn how to install, set up, and use the basic features of the phone.

The sections that follow show you the advanced features, and give you maintenance and service information.

If you have any questions, be sure to check the Table of Contents on this page, the Trouble-shooting Guide, or the Index to quickly find the solution.

TABLE OF CONTENTS

Functional Elements in Handset	5	The Memory Feature	11
Functional Elements in Base	6	Storing a Number in Memory	11
Getting Started	7	Changing a Stored Number	11
Before You Begin	7	Dialing a Stored Number	11
Telephone Outlet Requirements	7	Chain Dialing from Memory	12
Installation and Setup	8	CLEAR a memory location	12
Tone/Pulse switch on the base	9	MUTE Button	12
Power Light on the base	9	Changing the Battery	13
Cordless Phone Basics	9	Battery Safety Precautions	13
Making a Call	9	Appendix A: Handset Sound Signals	15
In-use/Charging Light on base	9	Appendix B: Troubleshooting Guide	15
Talk/Low batt Light on handset	9	Appendix C: Causes of Poor Reception	16
LNR/P Button	9	Appendix D: Light Signals	17
Receiving a Call	10	Index	18
VOL button	10		
FLASH Button	10		
Ringer Switch	10		
KEYBACK Light	10		
Paging the Handset	10		
Advanced Features	11		
CH Button	11		

IMPORTANT SAFETY INSTRUCTIONS

INSTALLATION INSTRUCTIONS

1. Never install telephone wiring during a lightning storm.
2. Never install telephone jacks in wet locations unless the jack is specifically designed for wet locations.
3. Never touch uninsulated telephone wires or terminals unless the telephone line has been disconnected at the network interface.
4. Use caution when installing or modifying telephone lines.

GENERAL INSTRUCTIONS

When using your telephone equipment, basic safety precautions should always be followed to reduce the risk of fire, electric shock and injury to persons, including the following:

1. Read and understand all instructions.
2. Follow all warnings and instructions marked on the product.
3. Unplug this product from the wall outlet before cleaning. Do not use liquid cleaners or aerosol cleaners. Use a damp cloth for cleaning.
4. Do not use this product near water, for example, near a bath tub, wash bowl, kitchen sink, or laundry tub, in a wet basement, or near a swimming pool.
5. Do not place this product on an unstable cart, stand, or table. The product may fall, causing serious damage to the product.
6. Slots and openings in the cabinet and the back or bottom are provided for ventilation, to protect it from overheating, these openings must not be blocked or covered. The openings should never be blocked by placing the product on the bed, sofa, rug, or other similar surface. This product should never be placed near or over a radiator or heat register. This product should not be placed in an enclosed environment unless proper ventilation is provided.
7. Do not allow anything to rest on the power cord. Do not locate this product where the cord will be abused by persons walking on it.
8. Do not overload wall outlets and extension cords as this can result in the risk of fire or electric shock.
9. Never push objects of any kind into this product through cabinet slots as they may touch dangerous voltage points or short out parts that could result in a risk of fire or electric shock. Never spill liquid of any kind on the product.
10. To reduce the risk of electric shock, do not disassemble this product, but take it to a qualified serviceman when some service or repair work is required. Opening or removing covers may expose you to dangerous voltages or other risks. Incorrect re-assembly can cause electric shock when the appliance is subsequently used.
11. Unplug this product from the wall outlet and refer servicing to qualified service personnel under the following conditions:
 - A. When the power supply cord or plug is damaged or frayed.
 - B. If liquid has been spilled into the product.
 - C. If the product has been exposed to rain or water.
 - D. If the product does not operate normally by following the operating instructions. Adjust only those controls, that are covered by the operating instructions because improper adjustment of other controls may result in damage and will often require extensive work by a qualified technician to restore the product to normal operation.
 - E. If the product has been dropped or the cabinet has been damaged.
 - F. If the product exhibits a distinct change in performance.
12. Avoid using a telephone (other than a cordless type) during an electrical storm. There may be a remote risk of electric shock from lightning.
13. Do not use the telephone to report a gas leak near the leak.

IMPORTANT CORDLESS TELEPHONE INFORMATION

Interference Information

Cordless telephone equipment generates and receives radio waves and, if not installed and used properly, may pick up interference. To prevent interference:

Avoid locations such as heating appliances, electrical equipment (e.g., fluorescent lamp, TV, radio, refrigerator, computer), places subject to direct sunlight, excessive dust, moisture, vibration, etc.

Locate the base unit in a high place in the house (such as the second floor) in order to receive the most effective communication range. Fully extend the base unit antenna.

Notice: This cordless telephone uses radio communications between the handset and the base unit, and may not ensure privacy of communication. Other devices including other cordless telephones may interfere with the operation of this cordless telephone or cause noise during operation. Cordless telephones must not cause interference to any licensed radio service.

WARNING

To prevent fire or shock hazard, do not expose the set to rain or moisture. To avoid electrical shock, do not open the cabinet. Refer servicing to qualified personnel only.

CAUTION

- Use batteries only intended for recharging. Use only the following battery pack:
Nickel-Cadmium Rechargeable, 3.6 volts, 350 mAh MAX POWER ELECTRONIC
- Do not dispose of the battery(ies) in a fire. The cell may explode.
- Check with local codes for special disposal instructions.
- Do not open or mutilate the battery(ies). Released electrolyte is corrosive and may cause damage to the eyes or skin. It may be toxic if swallowed.
- Exercise care when handling the battery(ies) in order not to short the battery(ies) with conducting materials such as rings, bracelets, and keys. The battery or conductor may overheat and cause burns.
- Charge the battery(ies) provided with or identified for use with this product only in accordance with the instructions and limitations specified in this manual.
- Observe proper polarity orientation between the battery(ies) and battery charger



CONTAINS NICKEL-CADMIUM RECHARGEABLE BATTERY. MUST BE RECYCLED OR DISPOSED OF PROPERLY.

Ni-Cd

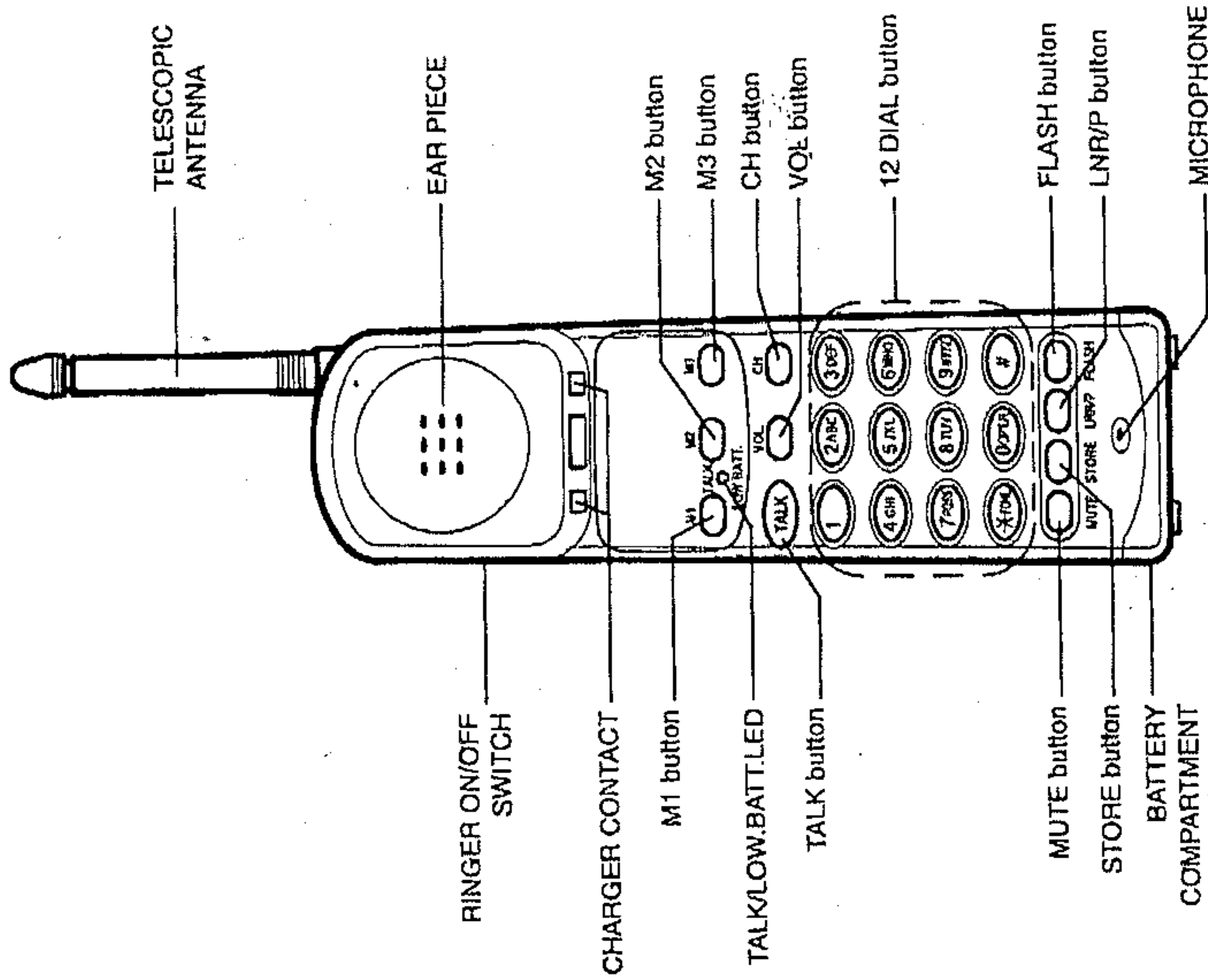
Charge the Handset Batteries Before Using the Cordless Telephone

The batteries lost their charge during shipping and storage. Be sure to charge the batteries before you use the 2500 cordless telephone. Place the handset in the base unit. The CHARGING indicator will light. Leave the handset in the base unit for 12-15 hours. (See page 8)

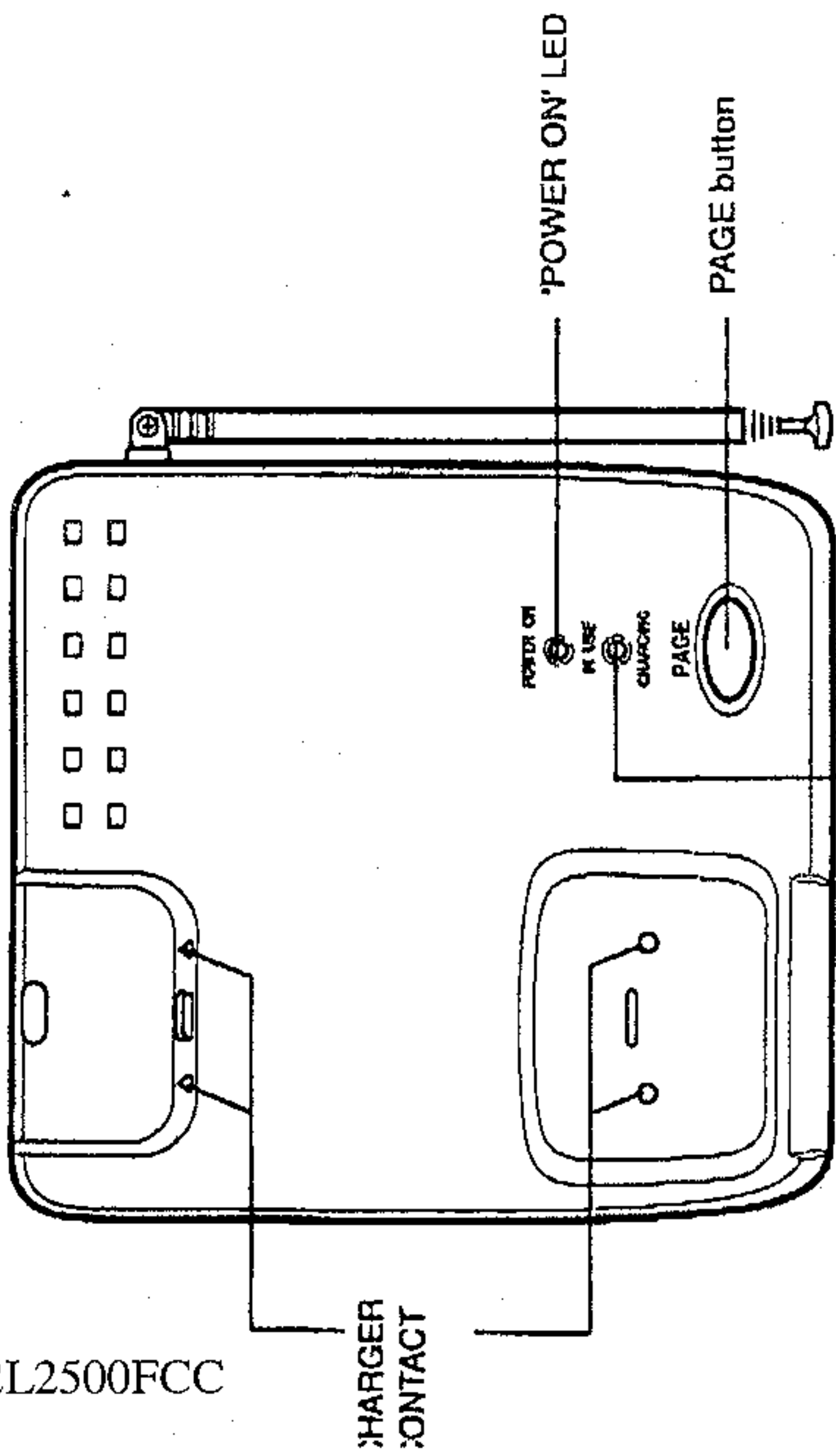
Digital Security Code

The Digital Security Cording System automatically resets a new personal security code to one of over 65,000 combinations every time you return the 2500 handset to the base unit. (Whenever the handset is returned to the base unit you will hear a beep.) The security code prevents unauthorized use of your telephone line, false rings and false dialing.

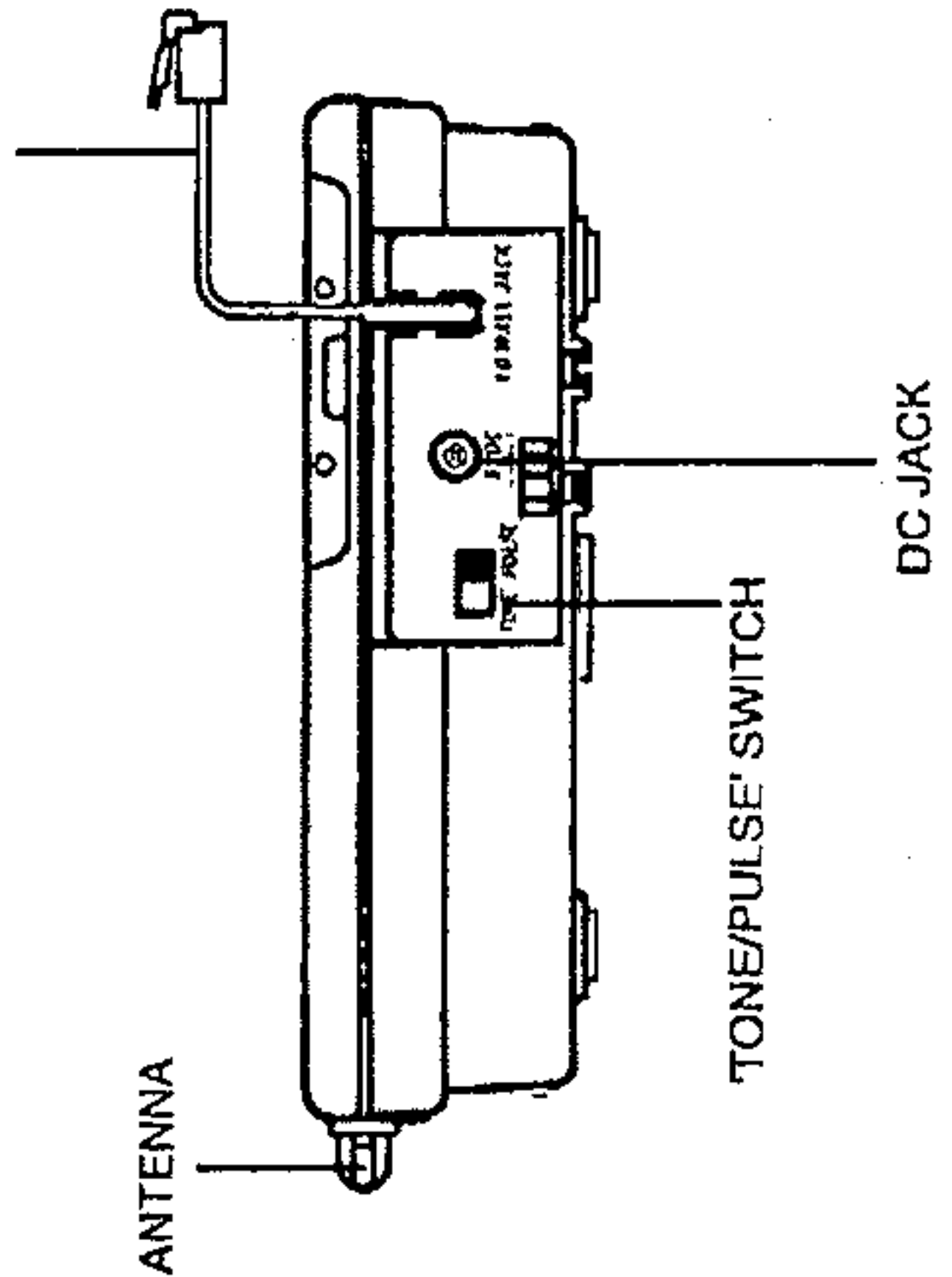
FUNCTIONAL ELEMENTS IN HANDSET



FUNCTIONAL ELEMENTS IN BASE

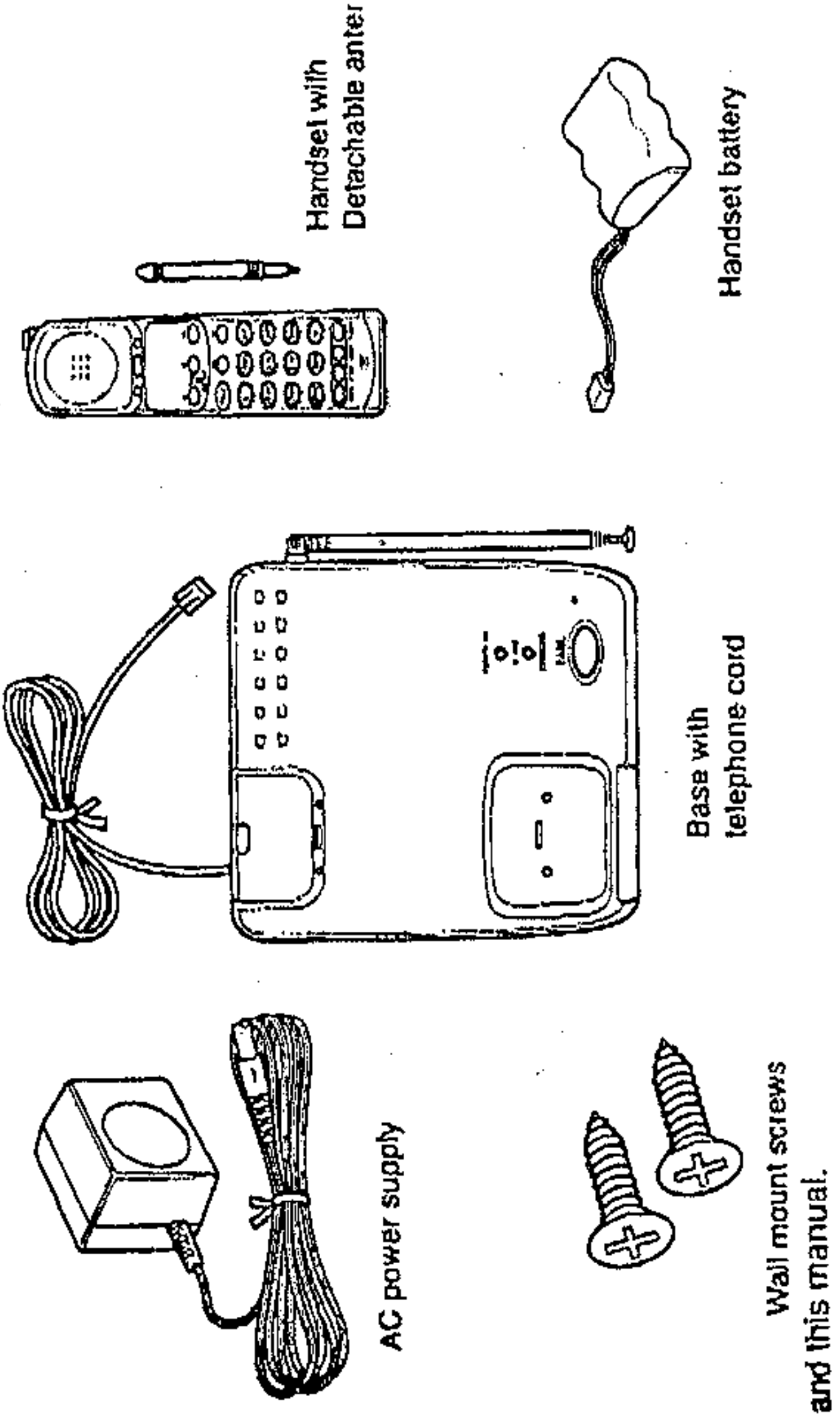


TELEPHONE CORD



GETTING STARTED

Make sure your package includes the items shown here.



Wall mount screws and this manual.

BEFORE YOU BEGIN

Your 2500 phone has a lot of features that work behind the scenes to give you better quality sound and more flexibility in use.

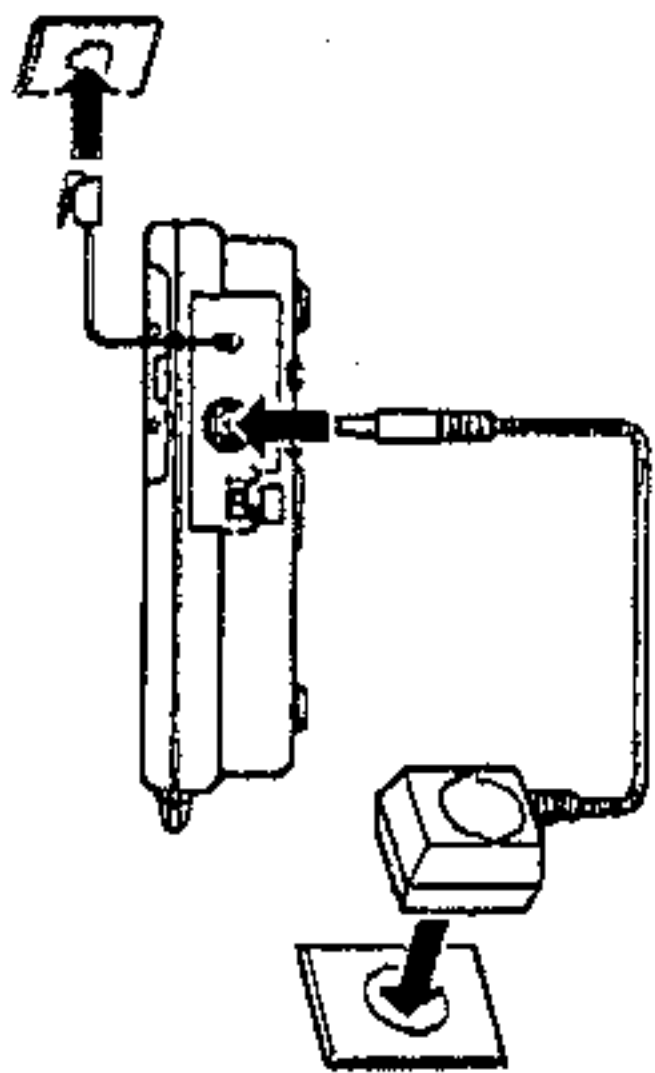
- 10/25-Channel Selection with Auto Scan. Automatically scans channels in order to find the one most likely to be clear of interference.
- Digital Security System. When you place the handset in the base, the unit verifies it's security code which prevents false ringing from other cordless telephones. After a power failure or battery replacement, you should place the handset in the base for about 20 seconds to relearn the code.
- Antennas. Sized smaller and telescopic to give you greater flexibility for placement of the base, and still maintain maximum range and mobility for the handset.
- Compander circuitry. This can reduce the background noise level of your conversation.
- Distinctive Ring Compatible. This enables different ring tones to be recognized if offered by the telephone service provider.
- Out of Range Warning. The handset will beep or have receiver noise if it is out of range of the base unit.

TELEPHONE OUTLET REQUIREMENTS

This unit is supplied with a US Authorized plug for direct connection to a standard telecom wall socket.

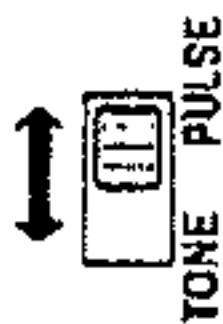
INSTALLATION AND SETUP

- 1 Plug the telephone line cord into the telephone wall outlet.
- 2 Plug the power supply cord into the base, and then the power supply into an AC outlet.

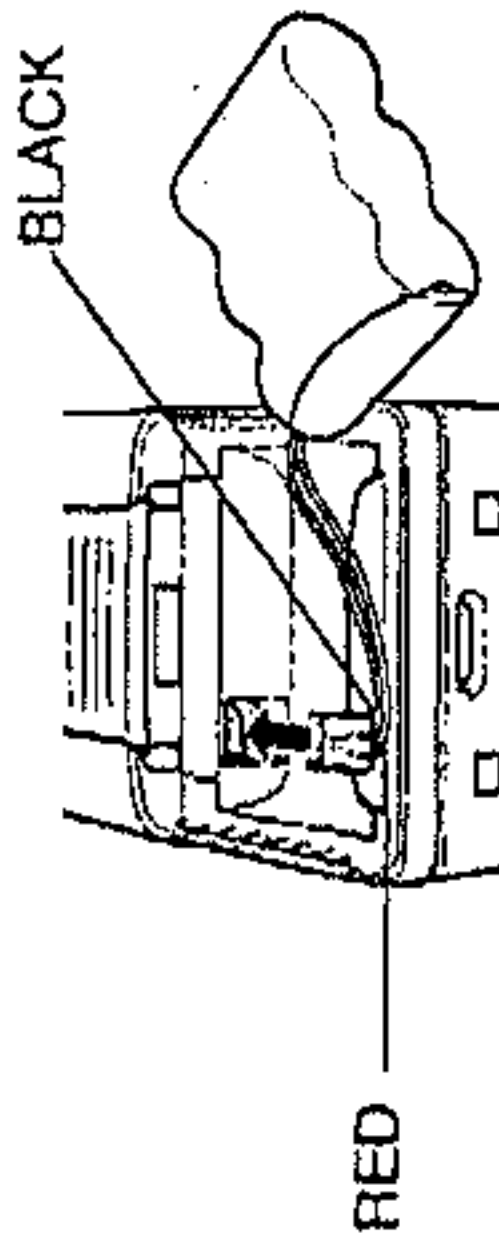
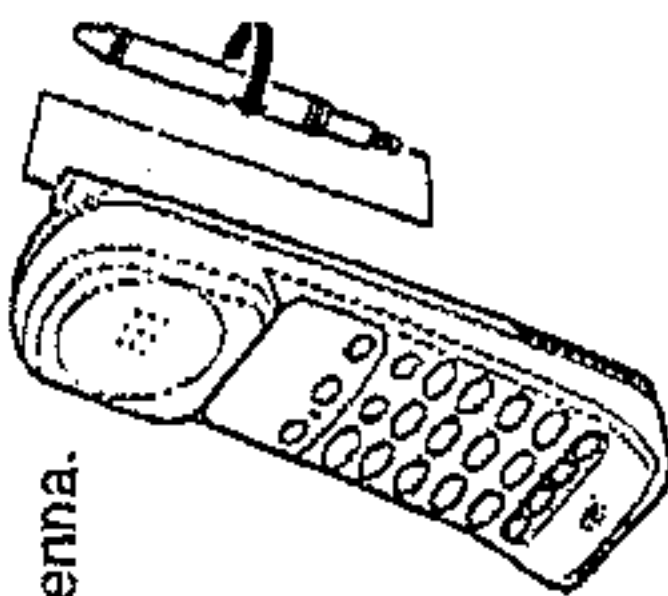


NOTE: Use only the AC/DC power supply (out 9V DC) that comes with this unit. Using other adapters may damage the unit.

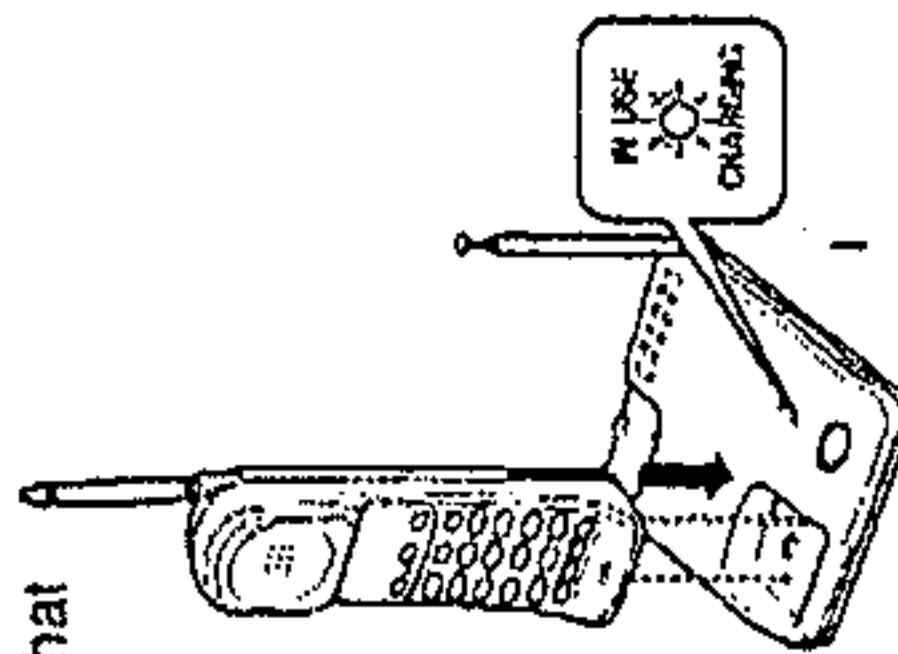
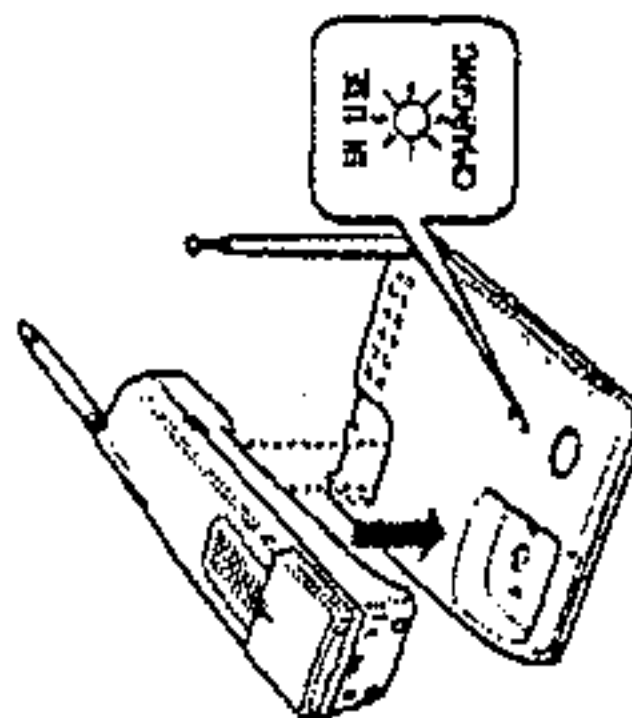
- 3 Raise the base antenna.
- 4 Turn TONE/PULSE switch appropriate position.



- 5 Connect the battery in the handset and insert handset antenna.



- 6 Place the handset in the base on charge for 12 hours. The IN-USE/CHARGING light will come on indicating that the battery is charging.



- 7 Turn on the RINGER switch so that the handset rings for incoming calls.



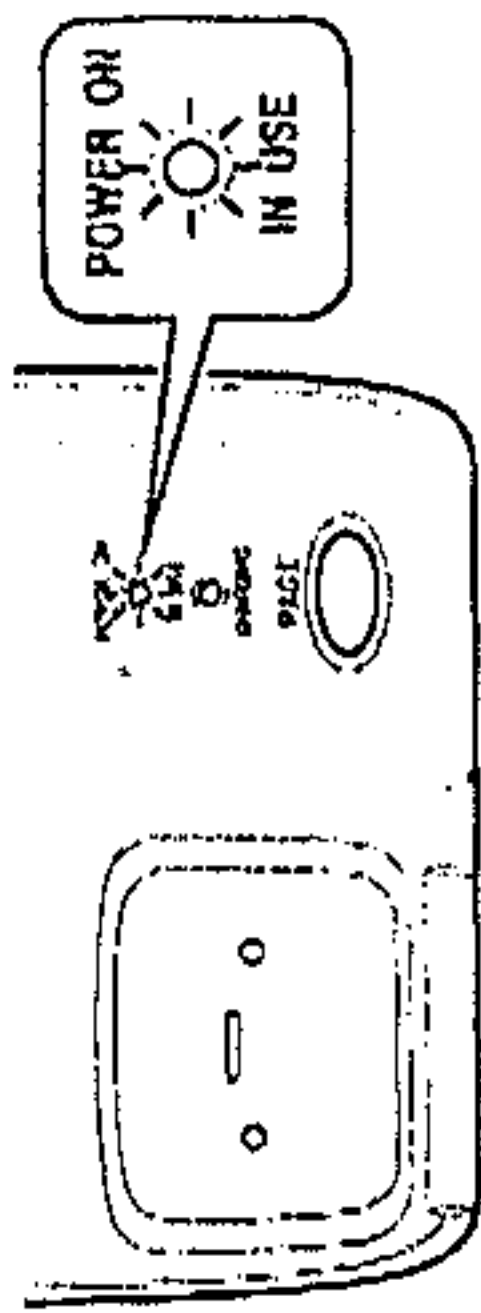
TONE/PULSE SWITCH IN THE BASE

Make sure the correct position is switched. Ask your telephone company if you have any problem.



POWER LIGHT IN THE BASE

When POWER ON light is on, it represents power supply to the unit is OK. The unit can function probably.



CORDLESS PHONE BASICS

CAUTION: Because cordless phones operate on electricity, you should have at least one phone in your home that isn't cordless, in case the power in your home goes out.

MAKING A CALL

The two things you need to know to make a call are:

- Press the TALK button before you dial.
- Press the TALK button or place the handset in the base to hang up. Otherwise, it works just like any other phone.

'In-Use/Charging' Light on the Base

If the handset is on the base cradle, 'IN-USE/CHARGING' light is steadily on. It indicates handset charging. If the handset is not on the base cradle, the bright led indicates unit is in conversation.

Talk/Low Batt' Light on the Handset

When 'TALK/LOW BATT' light is steadily on, it indicates the unit is in conversation. When it blinks slowly, it represents battery low.



LNR/P Button

Press the LNR/P button to redial the last number you called.



CAUTION: The redial capacity is 34 digits and the redial memory is cleared when the length of the redial memory is exceeded.

Receiving a Call

To answer a call, you must press TALK before you can talk.

VOL button

During the conversation, if you are not satisfied with the volume level received on the receiver, press VOL button to select another volume level.



FLASH Button

Use the FLASH button to activate customer calling services such as call waiting or call transfer, which are available through your telephone service provider.



TIP: Don't use TALK to activate customer calling services such as call waiting, or you'll hang up the phone.

RINGER SWITCH

The RINGER switch must be ON for handset to ring during incoming calls.



KEY BACK light

Before conversation, if you press any keys, the KEY BACK LED will turn on for 7 seconds. The led will also turn on for 7 seconds if you press any keys after offhooked. It facilitates user usage at night.

PAGING THE HANDSET

Press the PAGE button on the base unit to get the attention of the person using the phone, or to locate a misplaced handset.



CAUTION: Paging stops after 1 minute if PAGE key is pressed and hold for 10 seconds. Otherwise it stops within 5 seconds.

ADVANCED FEATURES

CH BUTTON

You might need to manually change the channel in order get rid of static.

Press and release the CH Button to advance to the next channel (until you get a clear channel).

THE MEMORY FEATURE

Store up to 13 numbers in memory for quick dialing.

Storing a Number in Memory

The phone must be OFF when you store numbers.

- 1 Press the STORE button ("TALK/LOW BATT" light on handset flashes, IN USE CHARGING light on base is on).
- 2 Dial the number (up to 16 digits)
- 3 Press STORE again and then press a number key (0-9) or any direct memory key (M1-M3) to store the diald number in that memory location.
- 4 Record whose number is stored in the location on the memory directory card under the base unit.
- 5 During memory storage, press LNR/P to insert a pause.

CAUTION: Each memory capacity is 16 digits (including *, # and Pause).

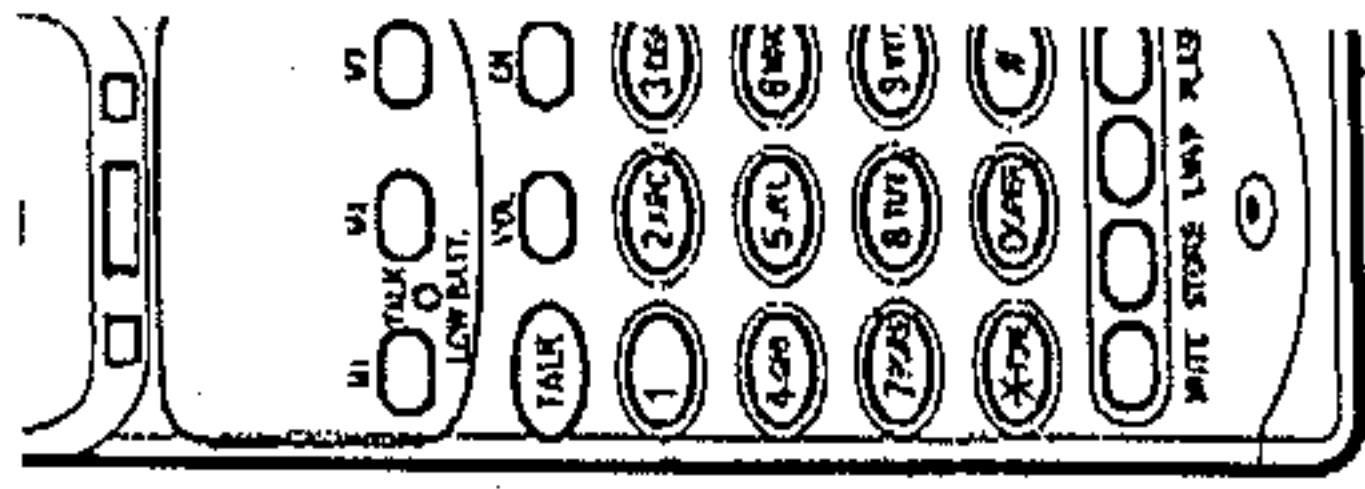
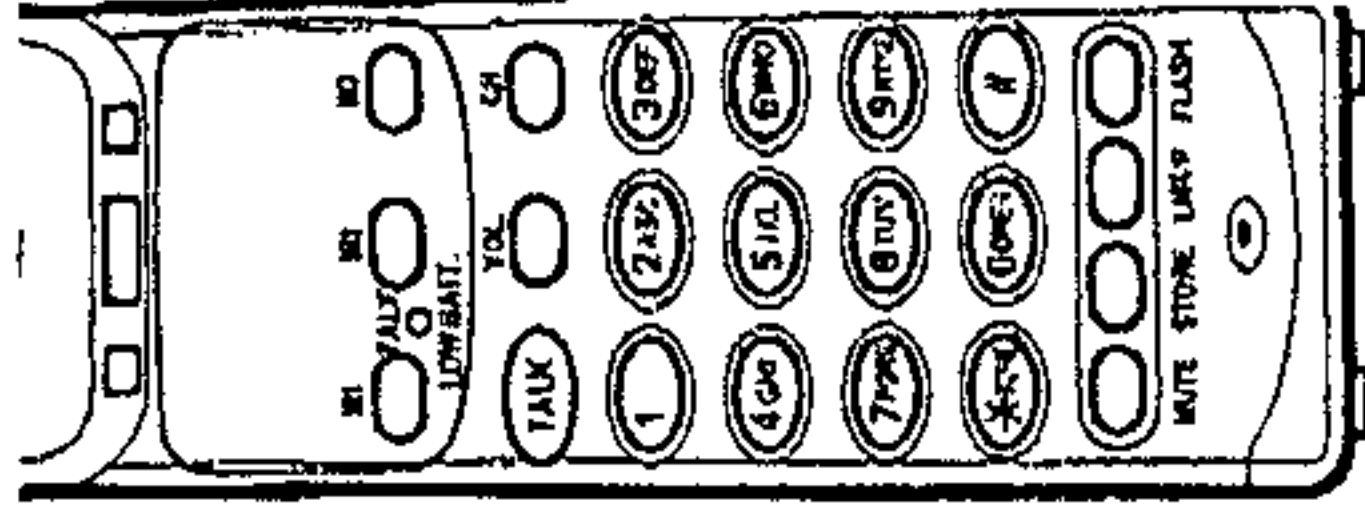
Changing a Stored Number

Use the same procedure to change a stored number as you do to store a number—in a sense, you're just reassigning the memory location.

Dialing Stored Number

- 1 Make sure the phone is ON.
- 2 Press STORE and then press the number (0-9) for the desired memory location. Or Press Direct Memory Key (M1, M2, M3).

CAUTION: If you make test calls to emergency numbers stored in memory, remain on the line and briefly explain the reason for the call to the dispatcher. Also, it's a good idea to make these calls in off-peak hours, such as early morning or late evening.



Chain Dialing from Memory

This feature to make calls which require a sequence of numbers. For instance if you use a calling card for a frequently called long distance number. Basically, you dial each part of the sequence from memory. The following example shows how you can use chain dialing to make a call through long distance service:

The Number For	Memory Location	Example
Long distance access number	7	0011
Authorization code	M2	64
Frequently called long distance number	9	9264-4850

Make sure the phone is ON.
 Press STORE and then press 7.
 When you hear the access tone, press M2.
 At the next access tone, press STORE and then 9.

TIP: Wait for the access tones before pressing the next memory button, or your call might not go through.

Clear a Memory Location

This feature clears a memory location. The procedure is similar to memory storage.
 Press the STORE button and then the STORE button again.
 Press the number key (0-9) or the direct memory key (M1-M3) to clear the memory location you want.

Mute Button

Sometimes you might be interrupted by other persons during your conversation. You might need to mute the microphone. Press and hold the MUTE button to mute the microphone. The feedback sound from microphone will not be heard. Release MUTE button to enable conversation again.



CHANGING THE BATTERY

The handset runs on a consumer-replaceable nickel cadmium battery pack which you must occasionally recharge by placing the handset in the base (especially if the IN-USE/LOW BATT Light blinks irregularly).

If you experience any of the following problems, you may need to replace the battery pack:

- Short talk time
- Poor sound quality
- Limited range
- IN-USE/LOW BATT light fails to light
- IN-USE/LOW BATT light blinks irregularly.

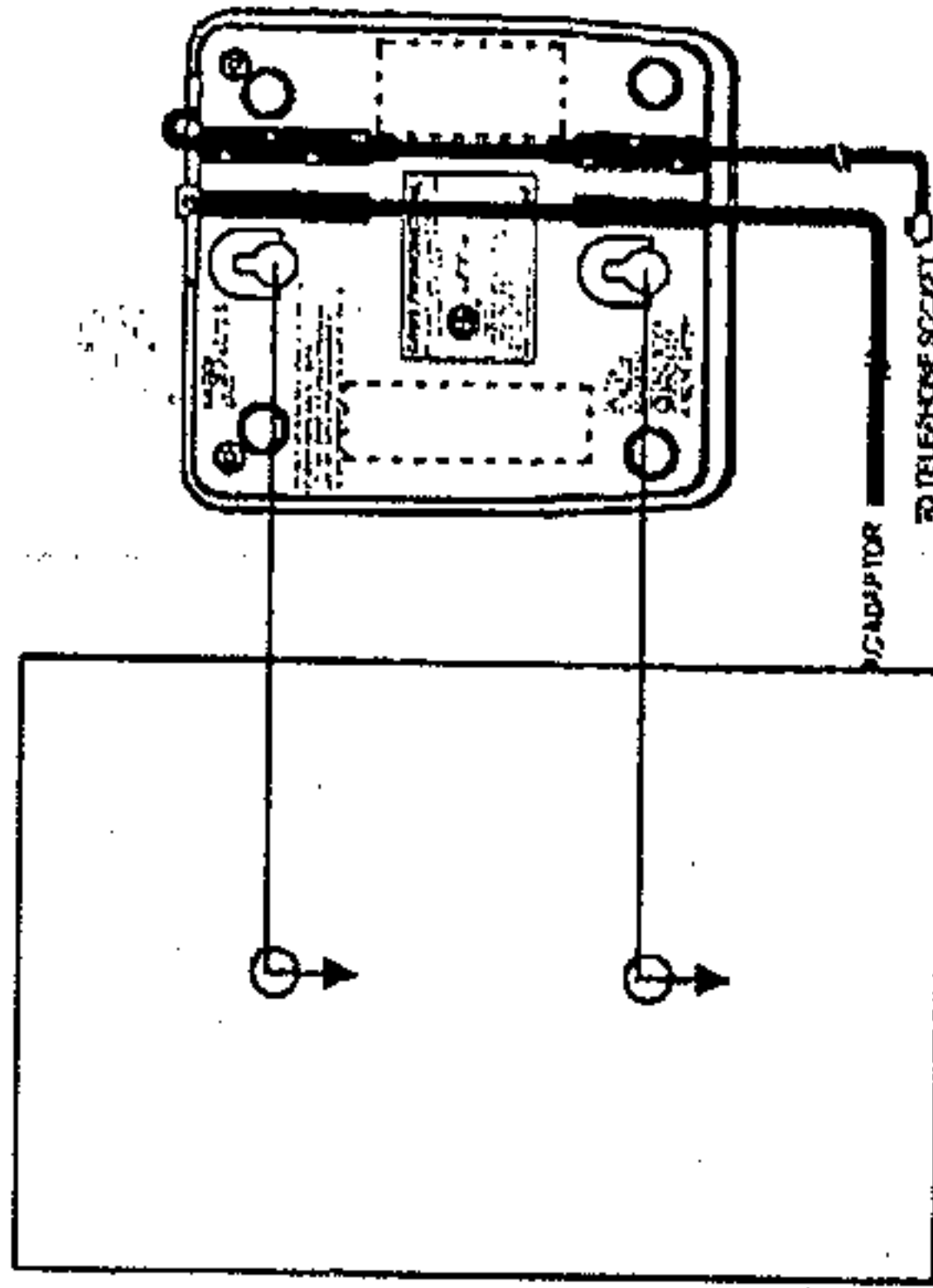
Battery Safety Precautions

- Don't disassemble, mutilate, puncture, wet, or dispose of the battery in fire. Like other batteries of this type, if it is burned or punctured, it could release toxic materials which can cause injury.
- Keep batteries out of the reach of children.

CAUTION: During conversation, when the battery power is low, the handset will beep at 20 second intervals.

HANGING THE UNIT ON WALL

1. Attach the telephone cord to the wall bracket and to the telephone.
2. Insert the tabs on the top of the wall plate into the base unit and press the unit so that the lower tabs on the wall plate match the proper tab on the unit.



APPENDIX A: HANDSET SOUND SIGNALS

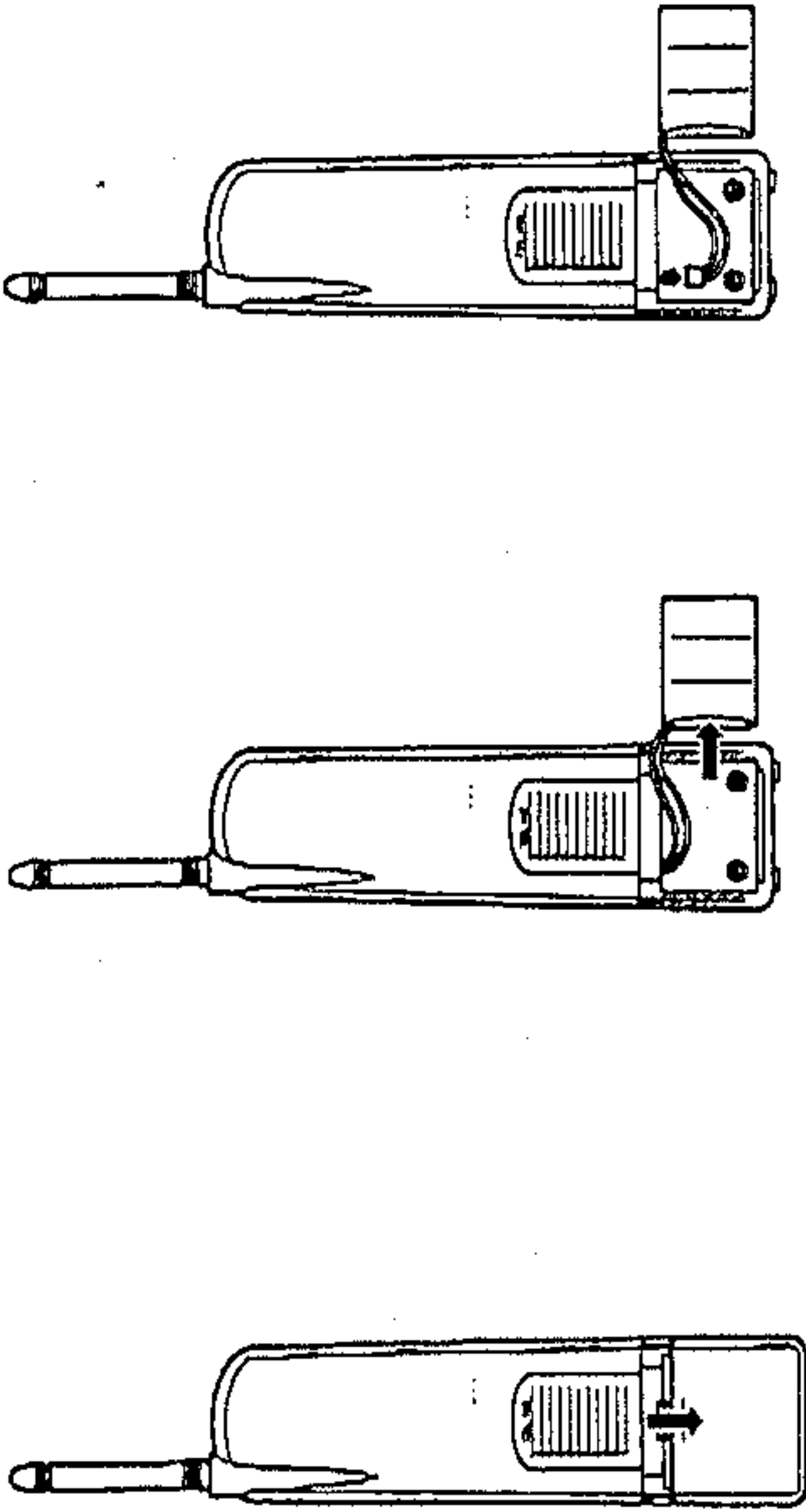
Signal	Meaning
Three short beeps with short pause	Page signal
Warbling tone (with ringer on)	Signals an incoming call

APPENDIX B: TROUBLESHOOTING GUIDE

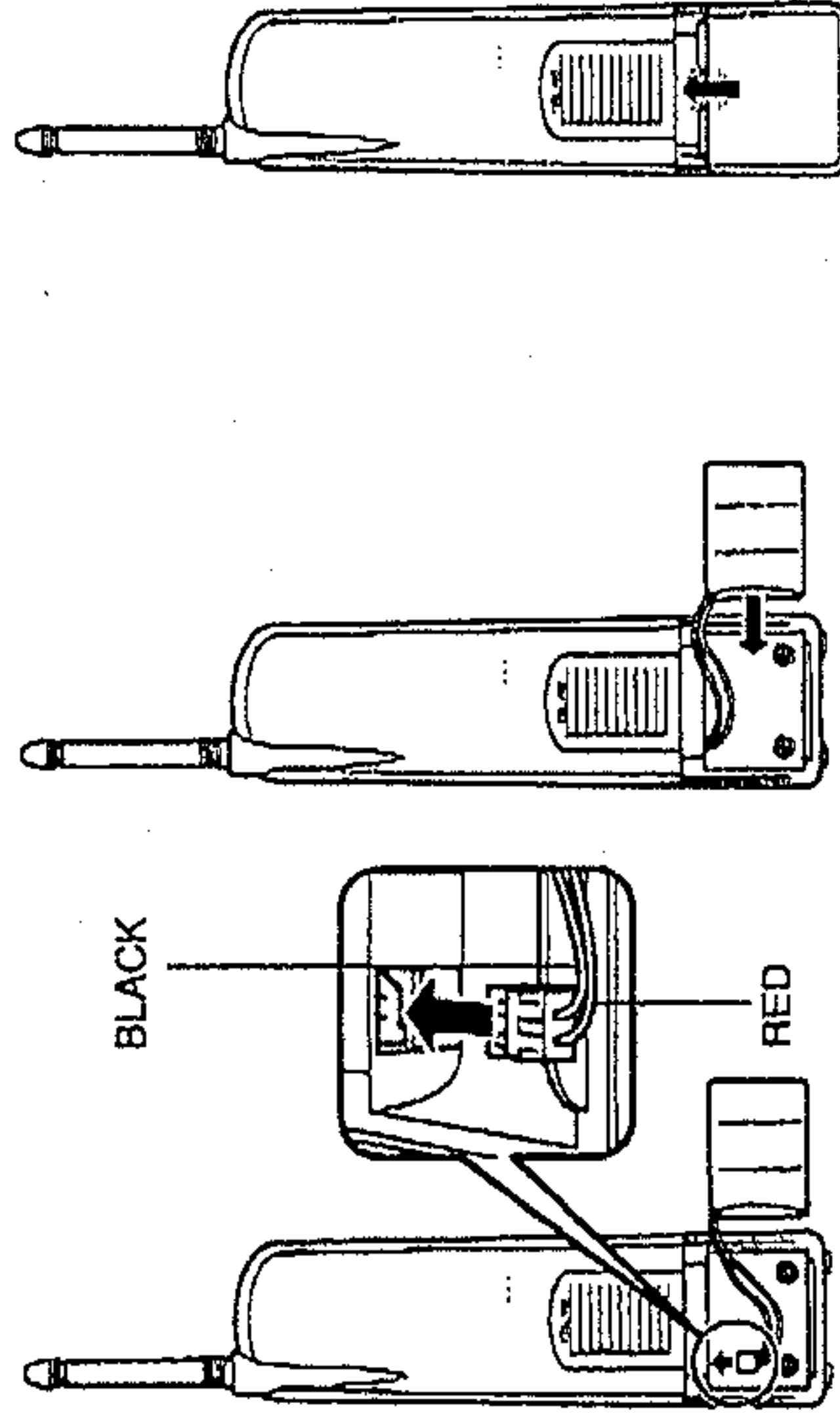
Problem	Solution
No operation	<ul style="list-style-type: none"> • Check installation • Place handset on base again to reset security code • Charge handset until handset is charged up
No dial tone	<ul style="list-style-type: none"> • Check installation: <ul style="list-style-type: none"> — Is the base power cord connected to a working outlet? — Is the 'IN-USE/LOW BATT' light on? — Is the telephone line cord connected to the wall jack? • Disconnect the base from the wall jack and connect another phone to the same jack. If there is no dial tone in the second phone, the problem might be your wiring or local service. • Is the handset out of range of the base? • Make sure the battery is properly charged (12 hours) • Is the battery pack installed correctly? See page 13 & 14. • Did the handset beep when you pressed the TALK button? • Did the 'IN-USE/LOW BATT' light blink irregularly? The battery may need to be charged. • Reset the security code by placing the handset in the base for about 20 seconds
Unit cannot dial	<ul style="list-style-type: none"> • Tone/Pulse switch position • See suggested solution for 'No dial tone'

Make sure phone is OFF before you replace the battery.

- Slide open the battery compartment door.
- Remove the battery pack.
- Pull out the battery plug.



- Replace and plug in the new battery pack.
- Close the battery compartment door.



- Charge the battery for 12 hours before use.

TROUBLESHOOTING GUIDE CONTINUED

APPENDIX D: LIGHT SIGNALS

Base Signal	Meaning
POWER ON led on	Power is ready in the base unit
IN-USE/CHARGING on	during conversation/charging/storing
flashes as ringing	during ringing
flashes	during paging
Handset Signal	Meaning
TALK/LOW BATT on	during conversation/paging
flashes as ringing	during ringing
flashes regularly	during storing, low battery
KEY led on 7 seconds	if valid key is pressed
flashes regularly	during ringing

Problem Solution

Hand set does not ring

- Make sure the RINGER switch on the handset is in ON position.
- You may have too many extension phones on your line. Try unplugging some phones.
- See solutions for "No dial tone." (page 15)

You experience static, noise, or fading in and out

- Changing channels
- Is the handset out of range? Move closer to the base.
- Does the base need to be relocated?
- Charge the handset battery.
- Make sure the base is not plugged into an outlet with another household appliance.

Unit beeps

- Place the handset in the base for 20 seconds to reset security code. If that doesn't work, charge the handset battery for 12 hours.
- Clean the charging contacts on the handset and base with a soft cloth, or an eraser.
- See solutions for "No dial tone." (page 15)
- Replace the battery.

Memory Dialing

- Did you program the memory location keys correctly? See page 11.
- Did you follow proper dialing sequence? See page 9& 10.
- Did you switch to correct Tone/pulse position? See page 9.
- Did you reprogram numbers into memory after a power failure or replacing the battery?

Memory Storage

- See solutions for "No dial tone" (page 15)
- Did you program the memory location keys correctly? See page 11.

APPENDIX C: CAUSES OF POOR RECEPTION

- Aluminum siding
- Foil backing on insulation
- Heating ducts and other metal construction can shield radio signals
- You're too close to appliances such as microwaves, stoves, computers, etc.
- Atmospheric conditions, such as strong storms
- Base is installed in the basement or lower floor of the house
- Base is plugged into an AC outlet with other electronic devices
- Baby monitor is using the same frequency
- Handset battery is low (TALK/LOW BATT indicator appears in the handset)

INDEX

A Auto Scan (10/25-channel) 7
 B Buttons
 C CH 2 5
 CH 11
 Chain Dialing 12
 CHARGING light 8
 Compander Noise Reduction 7
 FLASH 10
 Installation 13,14
 LNR/P 9
 Making a Call 9
 Memory feature 11
 Memory location 11
 Nickel cadmium battery 13
 Paging the handset 10
 POWER ON Light 9
 Ringer Switch 10
 Replace the battery 13,14
 S Security 7
 STORE 11
 Store redial number 12
 TALK 9
 Temporary Tone 13
 Troubleshooting 15

FCC PART 15 WARNING AND NOTES

Warning: Changes or modifications to this unit not expressly approved by the party responsible for compliance could void the user's authority to operate the equipment.

NOTE: This equipment has been tested and found to comply with the limits for a Class D digital device, pursuant to Part 15 of the FCC Rules. These limits are designed to provide reasonable protection against harmful interference in a residential installation. This equipment generates, uses and can radiate radio frequency energy and, if not installed and used in accordance with the instructions, may cause harmful interference to radio communications.

However, there is no guarantee that interference will not occur in a particular installation. If this equipment does cause harmful interference to radio or television reception, which can be determined by turning the equipment off and on, the user is encouraged to try to correct the interference by one or more of the following measures:

- Reorient or relocate the receiving antenna.
- Increase the separation between the equipment and receiver.
- Connect the equipment into an outlet on a circuit different from that to which the receiver is needed.
- Consult the dealer or an experienced radio/TV technician for help.

Shield cables must be used with this unit to ensure compliance with the Class B FCC limits.

Warning: Changes or modifications to this unit not expressly approved by the party responsible for compliance could void the user's authority to operate the equipment.

Some cordless telephones operate at frequencies that may cause interference to nearby TVs and VCRs. To minimize or prevent such interference, the base of the cordless telephone should be placed near or on top of a TV or VCR; and, if interference is experienced, moving the cordless telephone farther away from the TV or VCR will often reduce or eliminate the interference.

8