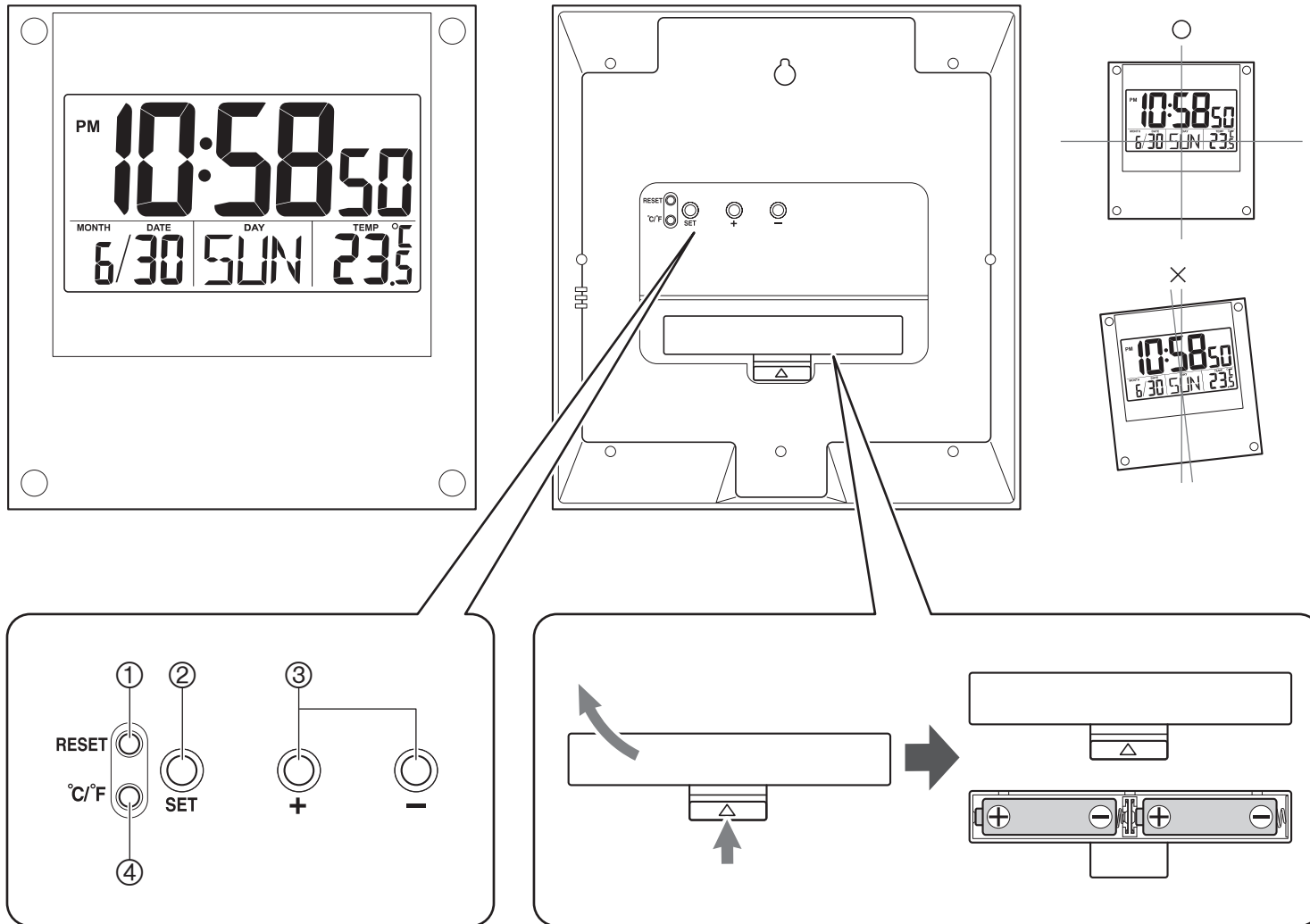


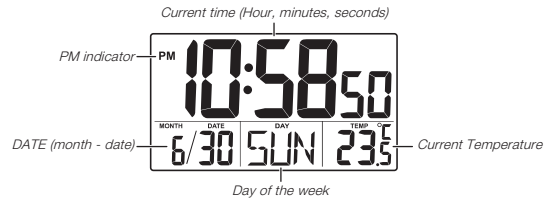
Operation Guide ID-11S



Operation Guide ID-11S

CASIO®

- A sticker is affixed to the glass of this clock when you purchase it. Be sure to remove the sticker before using the clock.
- Depending on the clock model, the configuration of your clock may differ somewhat from that shown in the illustration.

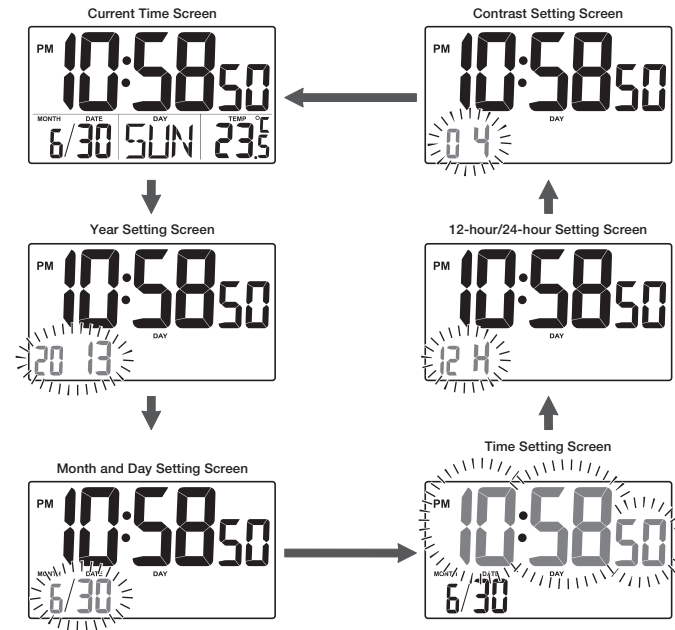


GENERAL GUIDE

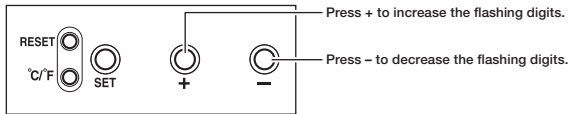
- ① **RESET button**
Press to reset the clock after replacing the batteries.
- ② **SET button**
Use this button to cycle through setting screens.
- ③ **+ / - buttons**
Use these buttons to set the current time.
- ④ **°C/ °F button**
Press this button to toggle the temperature unit between Celsius and Fahrenheit.

SETTING THE TIME

1. Press the **SET button** (Ⓜ) to cycle through the setting screens as shown below.



- While the screen you want is on the display, use the **+** and **-** buttons (ⓐ) to change the digits that are flashing.



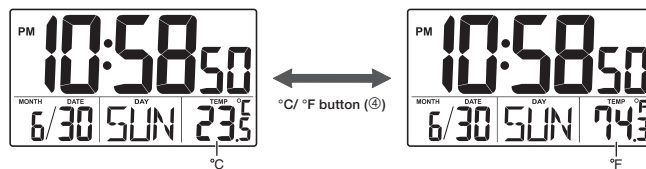
- Holding down **+** or **-** changes the flashing digits at high speed.
 - You can set the year in the range of 2000 to 2099. The day of the week is set automatically in accordance with the date setting.
 - Pressing **+** or **-** while the Time Setting Screen is on the display causes the seconds count to be reset to 00.
 - Each press of **+** or **-** while the 12-hour/24-hour Setting Screen is on the display toggles between 12-hour and 24-hour timekeeping.
 - You can set the contrast level in the range of 1 to 10.
- After making the settings you want, use the **SET** button (ⓑ) to display the Current Time Screen.
 - The clock automatically returns to the Current Time Screen if you leave a setting screen on the display for about three minutes without performing any operation.

THERMOMETER FUNCTIONS

- A built-in sensor measures temperature and shows the measured value on the display.
- The temperature display shows "LO" for temperatures below -19.9°C (-3.8°F) and "HI" for temperatures above 49.9°C (121.8°F).
- Though temperature readings are displayed up to 0°C (32°F) and greater than 41°C (105°F), note that such readings are actually outside the guaranteed temperature range of this clock.

Switching between Celsius and Fahrenheit

- Push the **C/°F** button (Ⓒ) to select either Celsius ($^{\circ}\text{C}$) or Fahrenheit ($^{\circ}\text{F}$).



BATTERY REPLACEMENT

- Replace batteries whenever the display of the clock becomes dim and difficult to read.
- Open the battery compartment cover as shown in the illustration.
 - Remove both of the old batteries.
 - Load two new batteries. Make sure that their positive (+) and negative (-) ends face in the correct directions. If you load batteries incorrectly, they can burst and damage the clock.
 - Replace the battery compartment cover.
 - Press the **RESET** button (ⓓ). Be sure to press the **RESET** button (ⓓ) after replacing batteries.

Battery precautions

- Keep batteries out of the reach of small children. If a battery is accidentally swallowed, contact a physician immediately.
- Be sure to load the batteries with their positive (+) and negative (-) ends facing correctly.
- Never mix old and new batteries, or batteries of different brands.
- Never charge the batteries that come with the product.
- Should batteries ever leak while in the product, wipe out the fluid with a cloth, taking care not to let any get onto your skin.
- Replace the batteries at least once a year, even if the current batteries are working properly.
- The batteries that come with the product lose some of their power during transport and storage.

SPECIFICATIONS

Accuracy at Normal Temperature: ± 60 seconds a month

Calendar System: Auto-calendar pre-programmed from the year 2000 to 2099

Thermometer Functions: Measuring range: -19.9°C to 49.9°C (-3.8°F to 121.8°F)

Though temperature readings are displayed up to 0°C (32°F) and greater than 41°C (105°F), note that such readings are actually outside the guaranteed temperature range of this clock.

Temperature Sensor Precision: $\pm 2^{\circ}\text{C}$ ($\pm 4^{\circ}\text{F}$) in range of 0°C to 40°C (32°F to 104°F)

Battery Life: Approximately 1 year

Battery: Two AA size batteries (Type: R6P)

Ambient Temperature Range: 0°C to 40°C (32°F to 104°F)