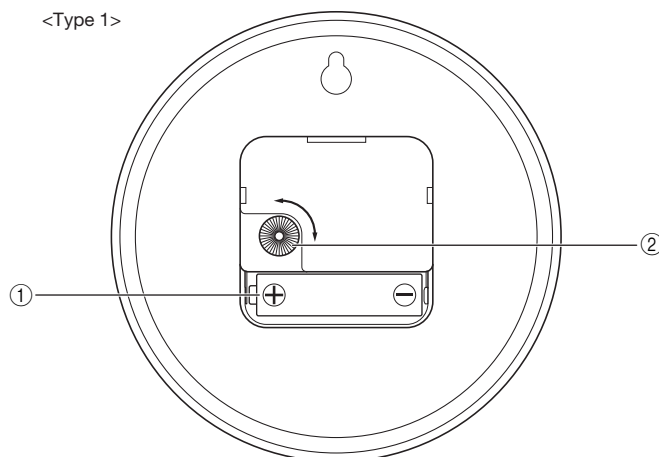


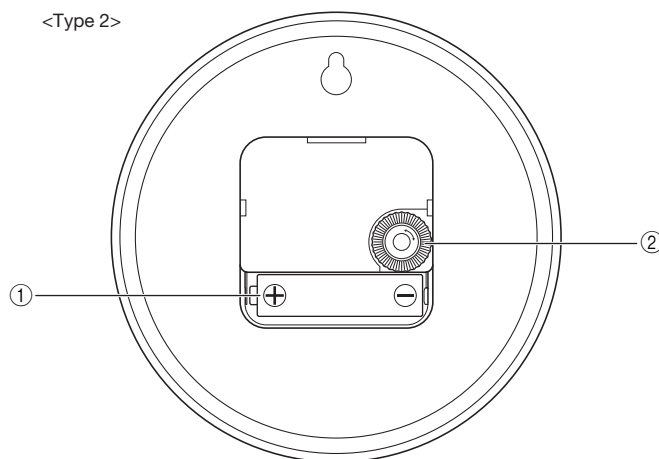
Operation Guide W-CLO.I

CASIO®

<Type 1>



<Type 2>



- A sticker is affixed to the display of this clock when you purchase it. Be sure to remove the sticker before using the clock.
- Depending on the clock model, the configuration of your clock may differ somewhat from that shown in the illustration.

TO START CLOCK

Insert a battery into **battery compartment** (①) with polarity as indicated.

TO SET TIME

Turn the **hour/minute adjuster** (②) in either direction.

TO ADJUST SECONDS

Remove the battery to stop the second hand at 12 o'clock position. Replace the battery at a time signal to restart the second hand on the correct second.

- **The start of second hand may be delayed depending on the timing of your switch operation.**

REPLACING THE BATTERY

Low battery power is indicated when timekeeping slows or stops completely. Should either of these symptoms occur, replace the battery immediately. Do not leave a low or dead battery in the clock.

1. Remove the old battery.
2. Load a new battery, making sure that its positive (+) and negative (-) ends are facing correctly. Loading a battery incorrectly can cause it to burst and damage the clock.

Battery precautions

- Keep batteries out of the reach of small children. If a battery is accidentally swallowed, contact your physician immediately.
- Be sure to load the battery with its positive (+) and negative (-) ends facing correctly.
- Never charge the battery.
- Should a battery ever leak while in the clock, wipe out the fluid with a cloth, taking care not to let any get onto your skin.
- Replace the battery at least once a year, even if the current battery is working normally.

SPECIFICATIONS

Accuracy at normal temperature : ± 20 seconds a month

Battery life : Approx. 1 year

Battery : One AA size battery (Type : LR6)

Ambient temperature range : -10°C to 50°C (14°F to 122°F)