

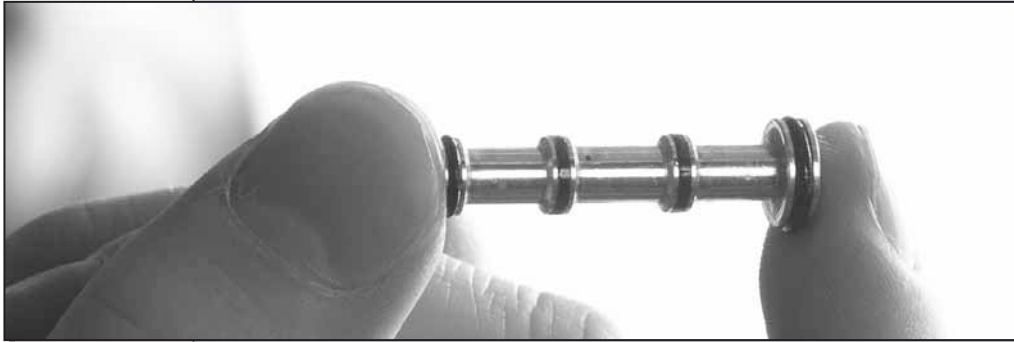
Know-how and innovation
in Pneumatic Control
Technology.



Pneumatic-Program

The AIRTEC-Story:

It all began with a revolution...



The AIRTEC story began in 1975 with the revolutionary airtec spool, a component which allowed the development of an outstandingly robust and low maintenance valve for use in the harshest applications. A small and beautiful solution which drove the company's growth and set the standard for the future product range which has evolved from it.

From simple pneumatic controls to customer specific solutions incorporating the latest electronic technologies, AIRTEC offers a comprehensive product range.

A high degree of flexibility enables the company to react quickly and efficiently to meet customer's requirements in rapidly changing market conditions.

Our fundamental principle is to offer the user high-quality products, in a timely manner, without complications, at attractive prices.

Our tight-knit and efficient sales and service network caters to our clients quickly, unbureaucratically and dependably in Germany, throughout the rest of Europe, and worldwide.

At AIRTEC companies and service centers, as well as at our distributors, you will find specialists with sound technical training who understand your problems and can devise quick, effective solutions to them.

AIRTEC can also help you train your own personnel in comprehensive training courses on pneumatic control engineering.

Our sites:

Pneumatics “Made in Germany”



Kronberg/Taunus:
Head-Office,
Sales Headquarters for
Germany and Overseas,
Service Centre



AIRTEC Reutlingen:
R & D, production, assembly and training



Customers from all industries
put their trust in AIRTEC quality.



AIRTEC Pneumatic GmbH
Westerbachstrasse 7
61476 Kronberg
Germany
Phone: +49 6173 9562-0
Fax: +49 6173 9562-13
Email: info@airtec.de

Austria

Johann Knoth Ges.m.b.H.
Industriestrasse 7-9
A-2201 Hagenbrunn
Phone: +43 2246 49800
Fax: +43 2246 49809
Email: office@knoth.at

Benelux

AIRTEC Pneumatic Engineering bv
Postbus 234
NL-8160 AE Epe
Phone: +31 578 627866
Fax: +31 578 627839
Email: airtecnl@euronet.nl

AIR COMPACT

B-9050 Gentbrugge
Brusselse Steenweg 427
Phone: +32 (0)9 230 2030
Fax: +32 (0)9 2311509
Email: info@aircompact.com

Bulgaria

TECHNOMIX GmbH
Pobeda-Str. 51
BG-4003 Plovdiv
Phone: +359 32 964 338
Fax: +359 32 967 564
Email: info@technomix.bg

Denmark

Wested Industriel
Automation A/S
Østre Langgade 32 C
DK-8643 Ans By
Phone: +45 86 87 9122
Fax: +45 86 87 9178
Email: wested@wested.dk

Finland

La Rocca Oy
Vanha Harmaalinntie 3
FIN-28400 Ulvila
Phone: +358 2531 0800
Fax: +358 2538 3582
E-Mail: tuomas.rouhikko@larocca.fi

France

Euro Air Instruments
ZA Sainte Croix-BP 47
1, Rue des Tisserands
F-35410 Chateaugiron
Phone: +33 2 99 37 62 00
Fax: +33 2 99 37 36 05
Email: info@euro-air-instruments.fr

Great-Britain

AIRTEC Pneumatics UK Ltd.
Unit 18B, Shaw Lane Ind. Estate
Ogden Road
Doncaster
S. Yorks
DN2 4SQ
Phone: +44 1302 769000
Fax: +44 1302 761971
Email: sales@airtecpneumatics.co.uk

Greece

PNEUMATEC Industrial
Automation Systems oe
Nevrokopiu 18
GR-11855 Athens
Phone: +30 21 0341 2101
Fax: +30 21 0341 3930
Email: pantosit@otenet.gr

Italy

Please contact headquarter.

Portugal

Victor Santos Lda.
rua Clotilde Ferreira da Cruz, no. 57
P-4470 Maia
Phone: +351 229 486 105
Fax: +351 229 488 793
Email: victor@victorsantos.pt

Romania

X-TRONIC SISTEM S.R.L.
136 Salaj St, Bl. 49, Sc. 2, Parter, 5 Area
RO-051902 Bucharest
Phone: +40 21 424 14 95
Fax: +40 21 456 69 02
Email: xtronicssystem@yahoo.com

Serbia

Sokic d.o.o.
Trading & Manufacturing Co.
Lenjinov Bul. 189
11070 Belgrad
Phone: +381 11 3191635
Fax: +381 11 411459
Email: airtec@eunet.yu

Spain

COMTEC Controls S.L.
Passeig de les Torres, 110
08191 Rubi, Barcelona
Phone: +34 93 6977916
Fax: +34 93 6977917
Email: comtecontrols@comteccontrols.es

Sweden/Norway

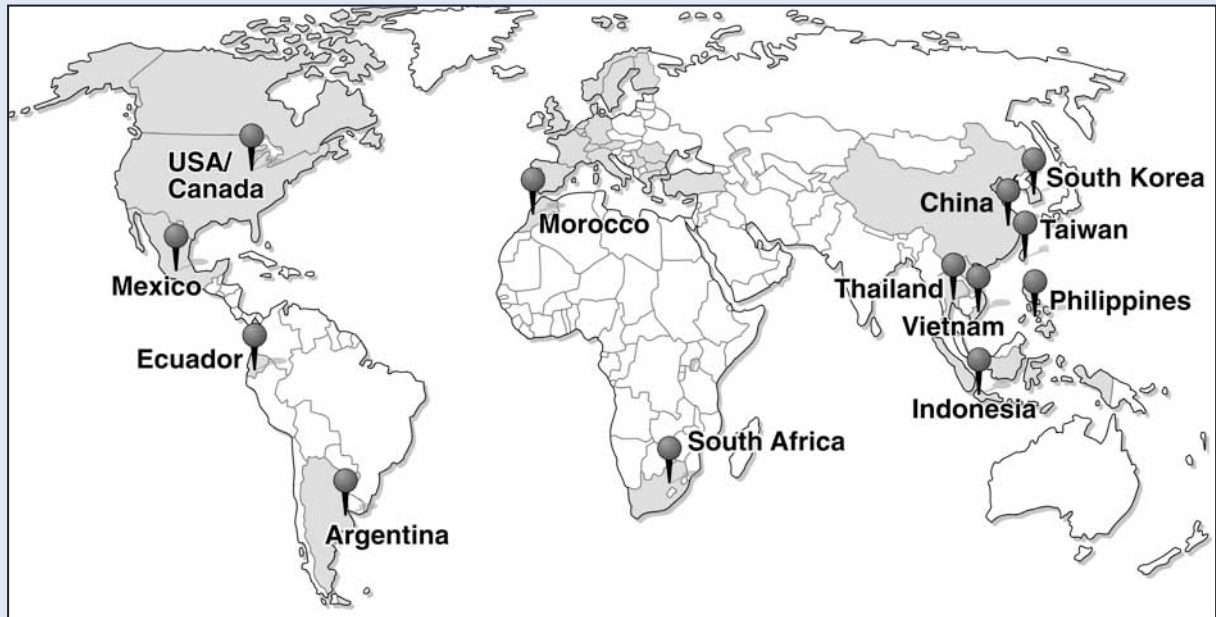
AIRTEC PNEUMATIC
SWEDEN AB
Gerfasts väg 6
S-283 22 Osby
Phone: +46 479 12 600
Fax: +46 479 12 719
Email: mail@airtec.se

Switzerland

Prematic AG
Märwilerstrasse 43
CH-9556 Affeltrangen
Phone: +41 71 9186060
Fax: +41 71 9186040
Email: info@prematic.ch

Turkey

Gözlem Pnömatik Hidrolik
Necatibey Caddesi Ağaçtulumba
Sokak no. 11
80030 Karaköy-Istanbul
Phone: +90 212 252-5059
Fax: +90 212 252-9576
Email: gozlem@ttnet.net.tr



Argentina

Erin S. A.
Av. Constituyentes 5751
1431 Buenos Aires
Phone: +54 11 4573 1313
Fax: +54 11 4573 1313
Email: erin@elsito.net

China

Please contact headquarter.

Ecuador

Please contact headquarter.

Indonesia

P.T. Hasta Perkasa Graha
Roxy Mas Centre Block D-4/15
Jakarta 10150
Phone: +62 21 63858225
Fax: +62 21 63858235
Email: hpgpneumatic@cbn.net.id

Mexico

Automatizados Nacionales S.A. de C.V.
Padre Mier no. 211 Pte.
64000 Monterrey/N.L.
Phone: +52 81/8342-2520
Fax: +52 81/8342-0120
Email: info@ansamx.com

Hydraulica Especializada de Puebla
Montessori 37
Col. Maestro Federal
72080 Puebla/Pue.
Phone: +52 222/868 2679
Fax: +52 222/868 267800
Email: gerencia@hepue.com.mx

Morocco

S.G.T. –
Société Générale de Transmission
26, angle route Ouled Ziane
et Puissessiau
05 Casablanca
Phone: +212 22 451 188
Fax: +212 22 310 170
Email: sgtbo@wanadoo.net.ma

Philippines

RIC AIRTEC Indusys Inc.
34 Don Jesus Boulevard
Alabang Hills Village
Muntinlupa, Metro Manila
Phone: +63 2 8424347
Fax: +63 2 8070190
Email: ricair@pltdsl.net

South Africa

AIRTEC Pneumatic C.C.
Postal Address:
P.O. Box 2214
Pinegowrie 2123
Physical Address:
Acreage Gardens
No. 70, 5th street
Wynberg, Sandton
Phone: +27 11 262 2506
Fax: +27 11 262 2508
Email: airtec@mweb.co.za

South Korea

KOREA PNEUMATIC SYSTEM Corp.
rm 206, Saehan Venture World B/D
113-15 Shiheung-Dong,
Keumchun-gu/Seoul
Phone: +82 2 2617-5008
Fax: +82 2 2617-5009
Email: vtec@vtec.dk

Taiwan

Faith Automation
Enterprises, Co., Ltd.
No. 10 Wu-Chuan 7th Road
Wu-Ku Industrial Park
Taipei Hsien 248
Phone: +886 2 2299-7828,
2299-7829
Fax: +886 2 2299-7689,
2299-7889
Email: faithaut@tpts7.seed.net.tw

Thailand

Flu-Tech Co. Ltd.
845/3-4 Moo. 3, Thepharak rd.,
Amphur Muang,
Samuthprakarn 10270/Bangkok
Phone: +66 2384 6060-3
Fax: +66 2384 5701
Email: flutech@ksc.th.com

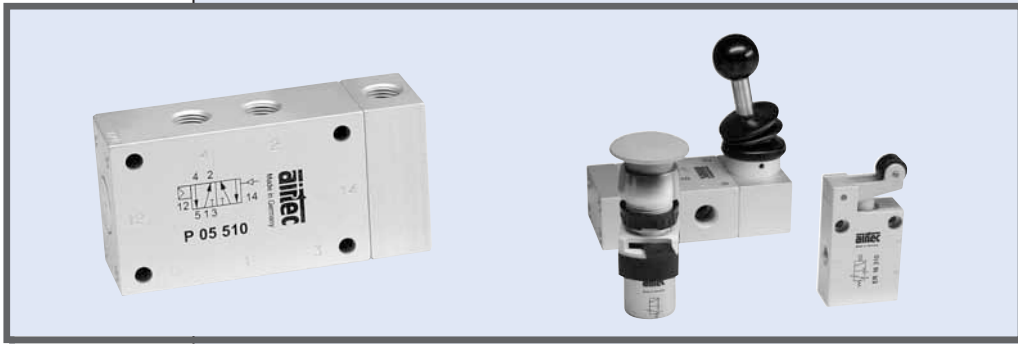
USA/Canada

AIRTEC Pneumatics Inc.
730, Racquet Club Drive
Addison, IL 60101
Phone: +1 630 543-0265
Fax: +1 630 543-4420
Email: airtec@airtec-usa.com

Vietnam

M.N.K. Hydraulics Co. Ltd.
36/18 Yen The Str., Ward 2
Tan Binh Dist., Hochiminh City
Phone: +84-8 848 9661
Fax: +84-8 848 9662
Email: info@mnk-hydraulics.com

Mechanical & pneumatically operated valves



AIRTEC valves are time tested and cost effective. They can be used for conventional compressed air control, and offer the full range of options for efficient pneumatic control technology.

The spectrum covers virtually every type of pneumatically and mechanically actuated valve in addition to a large variety of special function valves.

Our product range

- Pneumatically actuated valves
- Stem and roller actuated valves
- Hand lever valves
- Panel mounted valves with DIN installation-Ø
- Foot-actuated valves
- Time-delay valves
- Two-hand control blocks
- Flow control valves
- Signal interrupters

Technical data

Sizes	Nominal flow rates	
M5	220 NI/min.	(0.163 Cv)
G 1/8	360, 750, 950 NI/min.	(0.366, 0.762, 0.873 Cv)
G 1/4	1580, 2100 NI/min.	(1.606, 2.134 Cv)
G 1/2	3300 NI/min.	(3.354 Cv)

Mechanically and manually operated valves



Series E

Stem-operated valves,
3/2- and 5/2-way,
M5 (10/32 UNF) and G 1/8,
80 – 320 NI/min
(0.0813 – 0.325 Cv)



Series ER

Roller-operated valves,
3/2- and 5/2-way,
M5 (10/32 UNF) and G 1/8,
80 – 320 NI/min
(0.0813 – 0.325 Cv)



Series EL

Roller-operated valves
with spring return,
3/2- and 5/2-way,
M5 (10/32 UNF) and G 1/8,
80 and 320 NI/min
(0.0813 and 0.325 Cv)



Series HF

Hand lever valves with
spring return,
3/2-, 5/2- and 5/3-way,
G 1/8, G 1/4 and G 1/2,
650 – 1580 NI/min
(0.661 – 1.606 Cv)



Series HR

Hand lever valves with detent,
3/2-, 5/2- and 5/3-way,
G 1/8, G 1/4 and G 1/2,
650 – 1580 NI/min
(0.661 – 1.606 Cv)



Series T

Panel-mounted valves,
3/2- and 5/2-way,
 ϕ 22.5 and 30 mm,
M5 (10/32 UNF),
80 and 100 NI/min
(0.0813 and 0.1016 Cv)



Series ST

Push button valve with
low actuating force,
3/2-way, G 1/8,
220 NI/min (0.224 Cv)



Series F

Foot-operated valves,
3/2- and 5/2-way, G 1/4,
680 NI/min (0.691 Cv)

Pneumatically operated valves



Series L-25
 3/2- and 5/2-way,
 all ports on one side,
 M5 (10/32 UNF),
 160 NI/min (0.163 Cv)



Series L-28
 3/2- and 5/2-way,
 all ports on one side,
 G 1/8, 600 NI/min (0.610 Cv)



Series P-05
 3/2-, 5/2- and 5/3-way,
 G 1/8, 750 NI/min (0.762 Cv)



Series P-07
 3/2-, 5/2- and 5/3-way,
 G 1/4, 1580 NI/min (1.606 Cv)



Series P-12
 3/2-, 5/2- and 5/3-way,
 G 1/2, 3300 NI/min (3.354 Cv)

Function valves



Series VZ

Time delay valve,
3/2-way,
M 5 (10/32 UNF),
160 NI/min (0.163 Cv)
G 1/8, 600 NI/min (0.610 Cv)



Series SZ

Two-hand control block,
3/2- and 5/2-way,
G 1/8, 280 NI/min (0.285 Cv)
G 1/4, 1300 NI/min (1.321 Cv)



Series SZS

Two-hand control block
with self-locking connection,
5/2-way, G 1/4,
1300 NI/min (1.321 Cv)



Series SU

Signal interrupter,
3/2-way,
M 5 (10/32 UNF),
160 NI/min (0.163 Cv)



Series AN

AND-valves,
M 5 (10/32 UNF),
160 NI/min (0.163 Cv)
G 1/8, 280 NI/min (0.285 Cv)



Series OR

OR-valves,
M 5 (10/32 UNF),
160 NI/min (0.163 Cv)
G 1/8, 280 NI/min (0.285 Cv)



Series DR

Flow control valves,
M 5 (10/32 UNF) – G 1/2,
120 NI/min (0.122 Cv) –
1400 NI/min (1.423 Cv)



Series SE

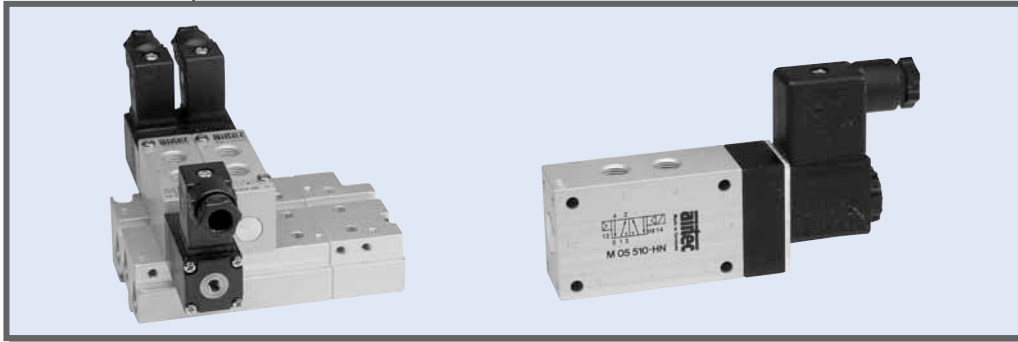
Quick exhaust valves,
G 1/8, 1200 NI/min (1.219 Cv)
G 1/4, 2400 NI/min (2.440 Cv)
G 1/2, 5600 NI/min (5.691 Cv)



Series PE

Pressure switch
G 1/8 outlet, G 1/4 outlet,
G 1/4 inlet, 1 – 10 bar

Solenoid valves



The steadily increasing demands for compact and powerful products are addressed by AIRTEC with its economical solenoid valves.

They make up the very core of modern pneumatic control technology, and are distinguished by their high reliability and performance.

AIRTEC has a complete range of products for virtually every application. Our flexible manifold systems are available for every valve series.

Our product range

- ▶ **Single and double solenoid valves**
- ▶ **Spring centered 3-position valves**
- ▶ **Valves with external pilot supply**
- ▶ **ISO valves, sizes 1, 2 and 3**
- ▶ **NAMUR valves**
- ▶ **Manifolds and sub-bases**

Technical data

Functions 3/2-way, 5/2-way, 5/3-way
 Nominal sizes 1 – 14 mm

Sizes Nominal flow rates

M5	38, 220 NI/min.	(0.039, 0.224 Cv)
G 1/8	56, 360, 750, 950 NI/min.	(0.057, 0.366, 0.762, 0.966 Cv)
G 1/4	1580, 2100 NI/min.	(1.606, 2.134 Cv)
G 1/2	3300 NI/min.	(3.354 Cv)

Electrically operated valves



Series MS-20

3/2-way poppet valves,
M5 (10/32 UNF),
38 NI/min (0.039 Cv)



Series MS-18

3/2-way poppet valves,
G 1/8, 56 NI/min (0.057 Cv)



Series M-20

5/2- and 5/3-way,
M5 (10/32 UNF),
220 NI/min (0.224 Cv)



Series M-04

3/2-, 5/2- and 5/3-way,
G 1/8, 360 NI/min (0.366 Cv)



Series M-05

3/2-, 5/2- and 5/3-way,
G 1/8, 750 NI/min (0.762 Cv)



Series KM-09

5/2- and 5/3-way,
G 1/8, 950 NI/min (0.966 Cv)



Series M-07

3/2-, 5/2- and 5/3-way,
G 1/4, 1580 NI/min (1.606 Cv)

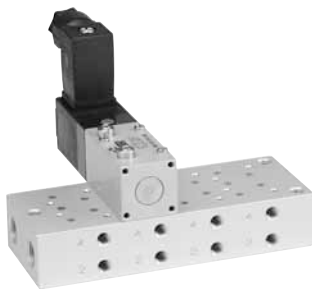
Electrically operated valves



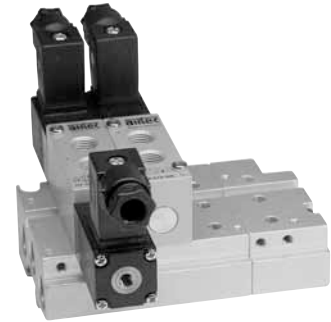
Series KM-10
5/2- and 5/3-way,
G 1/4, 2100 NI/min (2.134 Cv)



Series M-22
3/2-, 5/2- and 5/3-way,
G 1/2, 3300 NI/min (3.354 Cv)



Series MC-20, MD-20
For sub-base mounting,
5/2- and 5/3-way,
220 NI/min (0.224 Cv)



Series MF-04
For sub-base mounting,
360 NI/min (0.366 Cv)



Series MF-05, MF-25
For manifold mounting,
5/2- and 5/3-way,
G 1/8, 650 NI/min (0.661 Cv)



Series MC-07
For sub-base mounting,
5/2- and 5/3-way,
1200 NI/min (1.219 Cv)



Series MF-07
For manifold mounting,
5/2- and 5/3-way,
G 1/4, 1580 NI/min (1.606 Cv)

Accessories for valves
Solenoids and sockets



Standardized valve series

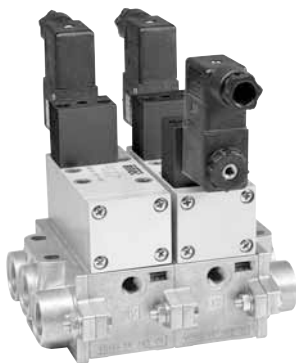


Series MN-06
3/2-, 5/2- and 5/3-way
according to **NAMUR**,
750 NI/min (0.762 Cv)

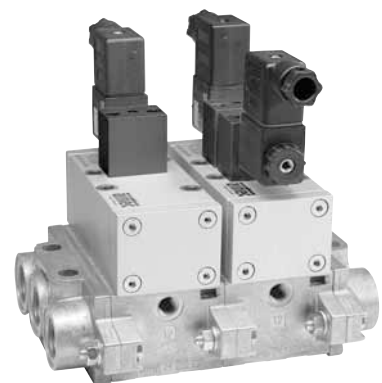
NAMUR



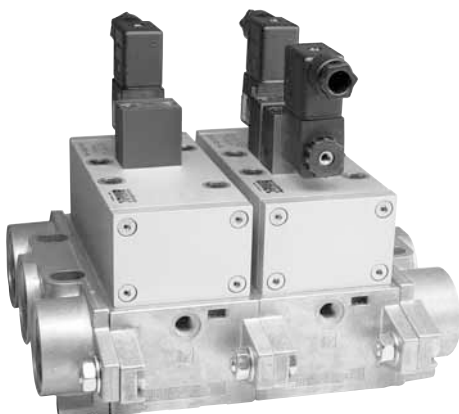
Series KN-05
3/2-, 5/2- and 5/3-way
according to **NAMUR**,
900 NI/min (0.915 Cv)



Series MI-01
5/2- and 5/3-way
according to **ISO 5599/1**,
1700 NI/min (1.728 Cv)



Series MI-02
5/2- and 5/3-way
according to **ISO 5599/1**,
2020 NI/min (2.052 Cv)



Series MI-03
5/2- and 5/3-way
according to **ISO 5599/1**,
4150 NI/min (4.217 Cv)

ISO

Valve terminals



Conventional electrical wiring and pneumatic tubing are expensive. Valve terminals, in comparison, offer the right connection for high-performance controls.

These valve/manifold systems eliminate time and labor intensive individual wiring by incorporating multi-pin, fieldbus, AS-Interface and DeviceNet connections. A common pressure connection further reduces overall installation time.

Our complete solutions simplify procurement, and shorten the commissioning time resulting in high process reliability.

Our product range

- ▶ Valve terminals with high flow rates and standard connections for a variety of valve sizes
- ▶ Protection class IP 65

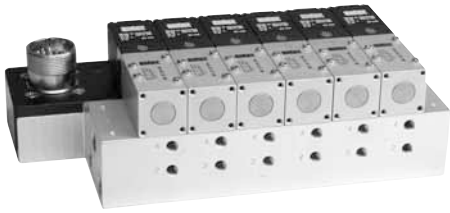
Technical data

Type of connection	Multi-pin, Fieldbus, DeviceNet, AS-Interface
Functions	3/2-way, 5/2-way, 5/3-way
Connections	M5, G 1/8, G 1/4

Series Nominal flow rates

RE-03	220 NI/min.	(0.224 Cv)
RE-04	360 NI/min.	(0.366 Cv)
RE-10	300 NI/min.	(0.305 Cv)
RE-19	900 NI/min. and 2100 NI/min.	(0.915 and 2.134 Cv)
RE-26	900 NI/min.	(0.915 Cv)

Valve terminals including valves



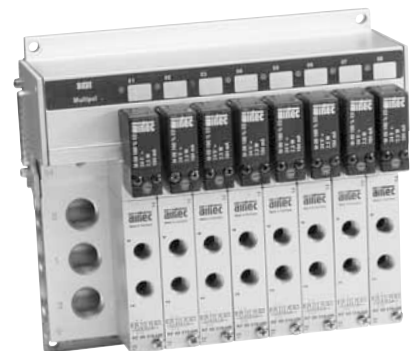
Series RE-03
 Multi-pin connection,
 4 – 16 valve stations,
 M 5 (10/32 UNF),
 220 NI/min (0.224 Cv)



Series RE-04
 Multi-pin or AS-Interface,
 4 – 16 valve stations,
 G 1/8, 360 NI/min (0.366 Cv)



Series RE-10
 Multi-pin, AS-Interface
 or fieldbus connection,
 4 – 12 valve stations,
 300 NI/min (0.305 Cv)

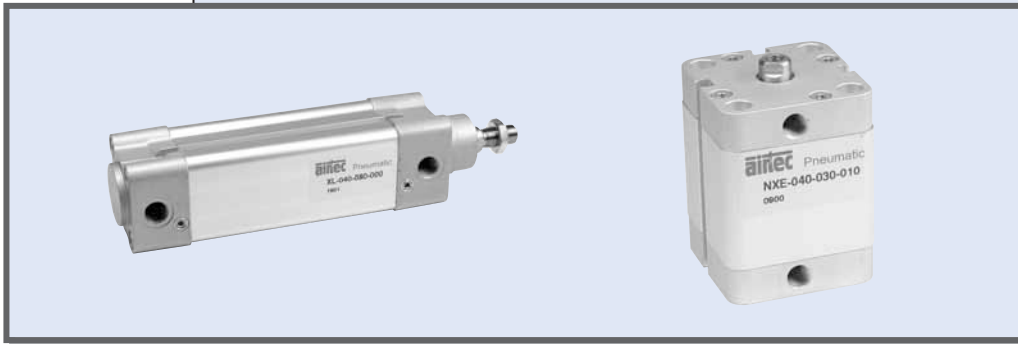


Series RE-19
 Multi-pin, AS-Interface,
 or fieldbus connection,
 4 – 24 valve stations,
 G 1/8 and G 1/4,
 900 and 2100 NI/min
 (0.915 and 2.134 Cv)



Series RE-26
 Multi-pin, AS-Interface,
 or fieldbus connection,
 4 – 24 valve stations,
 G 1/8, 900 NI/min (0.915 Cv)

Cylinders



Standard cylinders

AIRTEC standard cylinders are the workhorses of pneumatic control technology.

Series XL is equipped with an extruded aluminium profile and sensor grooves for proximity switches.

Standard cylinders are also available in a stainless steel design.

HM-series small cylinders have a stainless steel tube and piston rod that markedly increases their strength, particularly under harsh operating conditions.

The cylinder switches are identical for all series.

Compact cylinders series NX

The compact designed AIRTEC short-stroke cylinders get your machinery and processes moving.

Conforming to international standards, they offer a persuasive mix of complete compatibility, dependability, and cost-effectiveness.

Our product range

- ▶ According to ISO 6431 (Series XL, CX)
- ▶ According to ISO 6432 (Series HM, CM)
- ▶ Single-acting and double-acting compact cylinders.

Technical data

Piston diameters	12 – 200 mm
Stainless steel	16 – 100 mm

Pneumatic cylinders



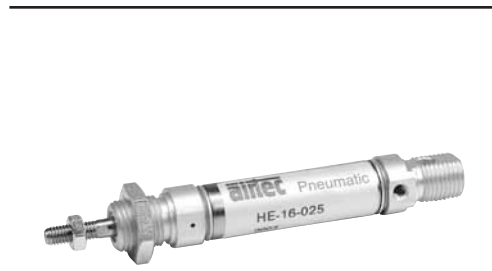
Series XL

Double acting, according to DIN ISO 6431/VDMA 24562, piston- \varnothing 32 to 125 mm (1 1/4 - 5 in) with sensor grooves



Series XG

Double acting, according to DIN ISO 6431/VDMA 24562, piston- \varnothing 160 to 200 mm (6 1/4 - 8 in)



Series XLVK

Valve/cylinder combination piston- \varnothing 32 to 100 mm (1 1/4 - 4 in)

Series HE

Single acting cylinders, according to DIN ISO 6432, piston- \varnothing 8 to 25 mm (5/16 - 1 in)



Series HM

Double acting cylinders, according to DIN ISO 6432, piston- \varnothing 8 to 63 mm (5/16 - 2 1/2 in)

Series NXE

Single acting compact cylinders with sensor grooves, piston- \varnothing 12 to 100 mm (1/2 - 4 in)



Series NXD

Double acting compact cylinders with sensor grooves, piston- \varnothing 12 to 100 mm (1/2 - 4 in)

Pneumatic cylinders



Series CX

Double acting, stainless steel, DIN ISO 6431/VDMA 24562, piston- \varnothing 32 to 100 mm (1 1/4 - 4 in)



Series CM

Double acting, stainless steel, DIN ISO 6432, piston- \varnothing 16 to 25 mm (5/8 - 1 in)

Series LX

Guided cylinders piston- \varnothing 20 to 63 mm (3/4 - 2 1/2 in)



Series LE

Linear guides for pneumatic cylinders

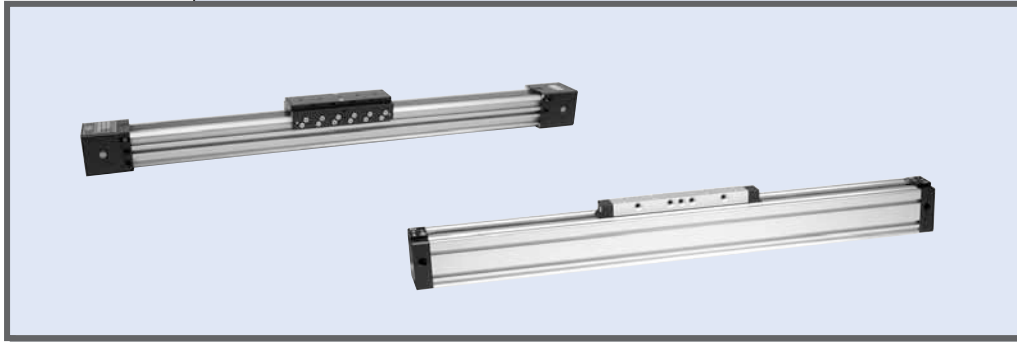
Series HA, HB

Cartridge cylinders, single acting, piston- \varnothing 6, 10, 16 mm (1/4, 3/8, 5/8 in)



Proximity switches

Rod less cylinders



Series ZR

This patented toothed-belt cylinder affords particularly high operational dependability thanks to its closed profile which prevents expansion under pressure. It is ideal for trouble-free synchronous running.

Our product range

- ▶ Cylinders with adjustable slide or roller guide
- ▶ Many special variants such as gripper cylinders, multiple slides on one cylinder, adapters for encoders, and brakes

Technical data

Stroke length up to 4500 mm
Piston- ϕ 25 and 40 mm

Series ZX

Thanks to its revolutionary design characteristics, the ZX Series is suitable for many applications.

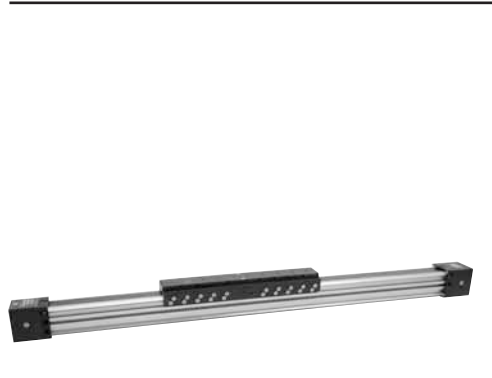
Our product range

- ▶ Cylinders with slide and roller guide
- ▶ Also available in shortened version – less than 30 % of the standard cylinder length
- ▶ Optional with integrated valves

Technical data

Stroke length up to 6000 mm
Piston- ϕ 25 to 63 mm

Rod less cylinders



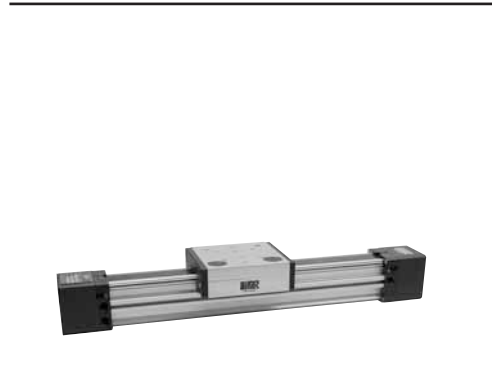
Series ZR-25, ZR-40

Toothed belt cylinders with adjustable slide guideway, piston- \varnothing 25 and 40 mm



Series ZR-25S, ZR-40S

Toothed belt cylinders with heavy-duty slide guideway, piston- \varnothing 25 and 40 mm



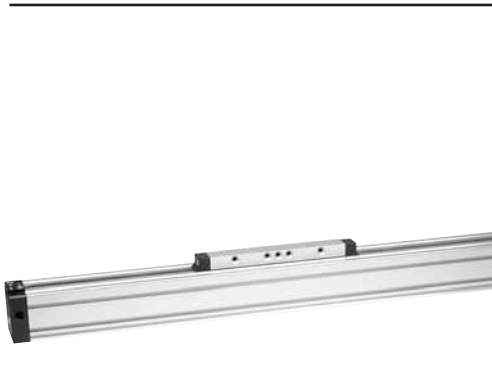
Series ZR-25R

Toothed belt cylinders with ball guide, piston- \varnothing 25 mm



Series ZR-40L

Toothed belt cylinders with roller guide, piston- \varnothing 40 mm



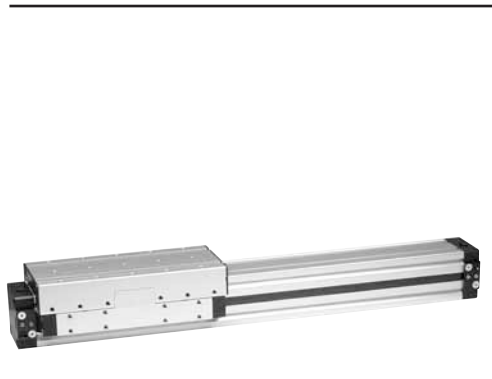
Series ZX-Ø-K

Short cylinder, piston- \varnothing 25 to 63 mm



Series ZX-Ø-S

Cylinder, piston- \varnothing 25 to 63 mm



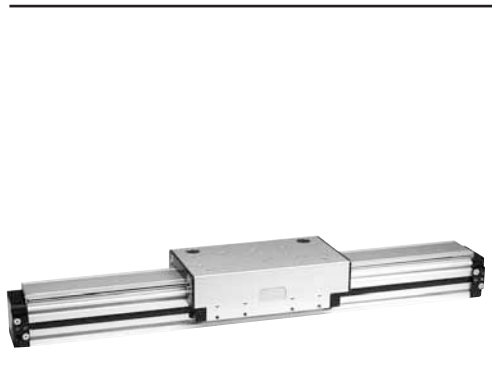
Series ZX-Ø-KG

Short cylinder with slide guide, piston- \varnothing 25, 32 and 40 mm



Series ZX-Ø-SG

Cylinder with slide guide, piston- \varnothing 25, 32 and 40 mm



Series ZX-Ø-KR

Short cylinder with roller guide, piston- \varnothing 25, 32 and 40 mm



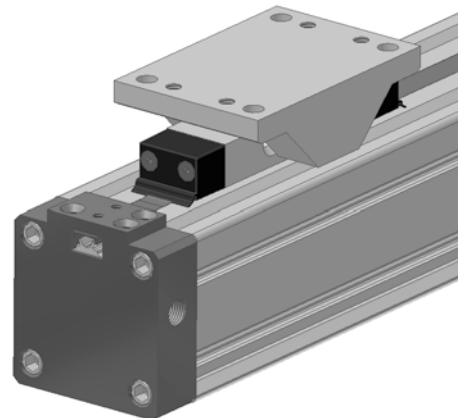
Series ZX-Ø-SR

Cylinder with roller guide, piston- \varnothing 25, 32 and 40 mm

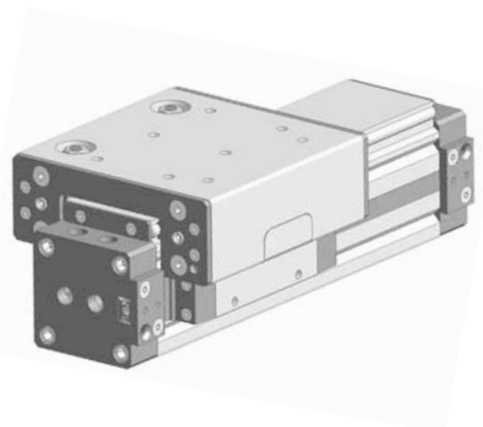
Rodless cylinders accessories

ino

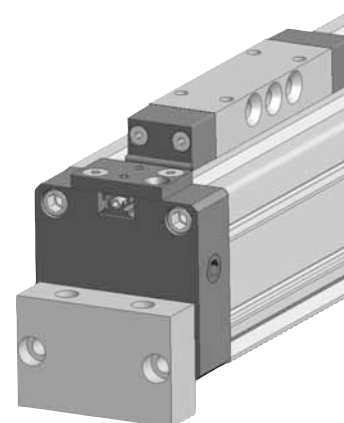
Seal kits



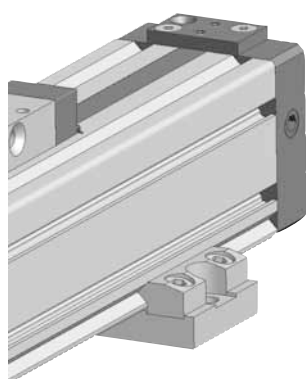
Alignment coupler



Air connection options



Head mount

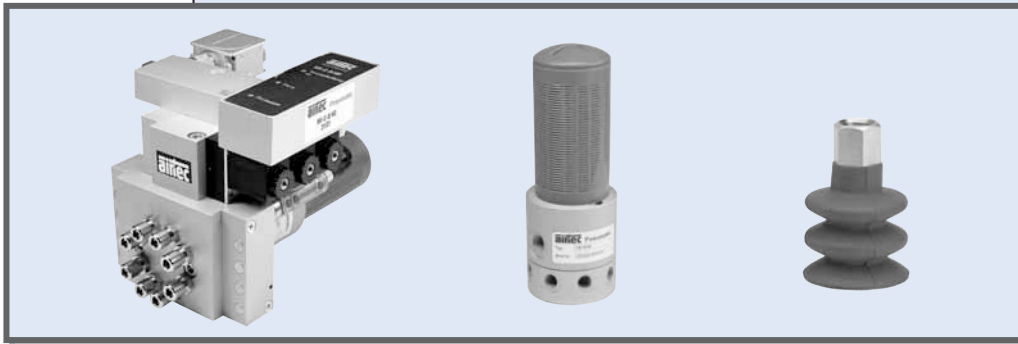


Center mount



Proximity sensor

Vacuum technology



AIRTEC vacuum ejectors ensure high performance with low air consumption. They are rated for maximum operational dependability and have a low noise level for the environment's sake.

The patented multi inlet vacuum ejectors keep the vacuum at a constant level even when one or more suction cups are drawing atmospheric pressure.

They are absolutely impervious to contamination thanks to their self-cleaning filter system.

Our product range

- ▶ **Vacuum ejectors with one suction connection**
- ▶ **Multi inlet vacuum ejectors**
- ▶ **Multi inlet vacuum ejectors with automatic air-saving feature and ejection pulse**
- ▶ **Vacuum accessories**

Technical data

Series HV, high Vacuum

Max. vacuum level	85 %	
Air consumption	88 – 630 NI/min.	(0.090 to 0.640 Cv)
Working pressure	4 – 5 bar	(65 to 87 psi)

Series HF, high volume flow

Max. vacuum level	70 %	
Air consumption	108 – 1600 NI/min.	(0.110 to 1.626 Cv)
Working pressure	4 – 5 bar	(65 to 87 psi)

Series MI, multi inlet vacuum ejectors

Suction connections	4 – 8	
Air consumption	100 – 400 NI/min.	(0.025 to 0.051 Cv)
Working pressure	4,5 – 6 bar	(65 to 87 psi)

Vacuum technology



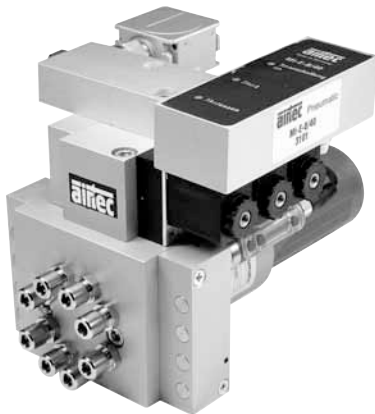
AIRTEC classic ejectors

Vacuum generators.
Optional with blow off function



AIRTEC column ejectors

Vacuum generators with 1, 4, 6 and 8 independently vacuum circuits;
Available with blow off function and air saving circuit.



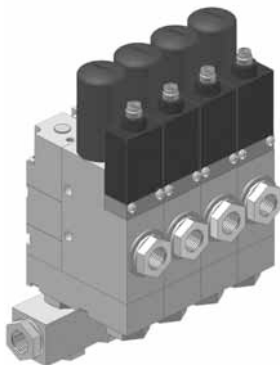
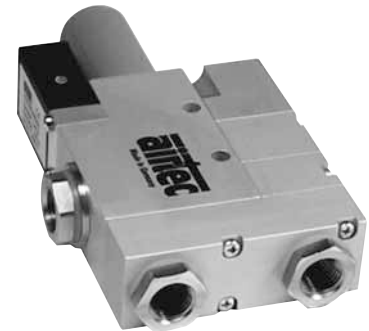
Series MI-E

Multi inlet ejectors,
8 vacuum connections with air saving and blow off function

AIRTEC central ejectors

Vacuum generators available with

- Blow off function
- Air saving circuit
- Integrated vacuum switches
- Control valves



Accessories for central ejectors

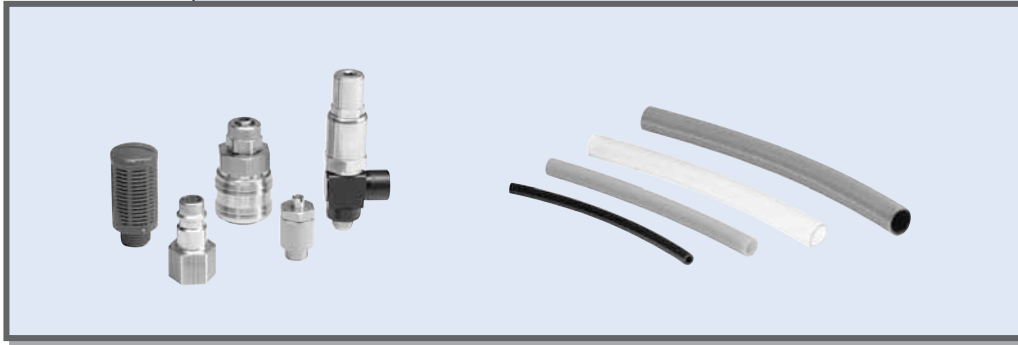
Pressure and vacuum switches



Suction cups, mounting components and accessories

For the complete vacuum program see catalogue A84 GB.

Accessories



In addition to function modules in both standard and special design, AIRTEC supplies all the necessary accessories.

Our product range

- ▶ Air service units
- ▶ Fittings
- ▶ Couplings
- ▶ Mufflers
- ▶ Hoses

Distribution

Our tight-knit and efficient sales and service network caters to our clients quickly, unbureaucratically and dependably in Germany, throughout the rest of Europe, and worldwide.



Series K

Air service units,
G 1/8, G 1/4,
1130 NI/min (1.148 Cv)

Series RD

Inline pressure
regulator,
G 1/8 and G 1/4,
350 NI/min (0.356 Cv)



Series X

Air service units,
G 1/4 – G 3/4



Series RP

Precision pressure
regulator,
G 1/4 – G 1/2

Function fittings

Miniature regulator, check
valve, inline hand valve,
quick couplers, silencers



For AIRTEC fittings, tube connectors and plastic tubes see catalogue-No. A75



Series FK
 Filter,
 G 1/8 – G 1/4,
 1150 NI/min (1.169 Cv)



Series RK
 Pressure regulator,
 G 1/8 – G 1/4,
 1130 NI/min (1.148 Cv)



Series FRK
 Filter/regulator,
 G 1/8 – G 1/4,
 1130 NI/min (1.148 Cv)



Series OK
 Lubricator,
 G 1/8 – G 1/4



Series FROK
 Two piece
 air service unit,
 G 1/8 – G 1/4,
 800 NI/min (0.813 Cv)



Series KK
 Ball valve,
 G 1/8 – G 1/4,
 1800 NI/min (1.829 Cv)



Series DAK
Soft start valve,
G 1/4,
2200 NI/min (2.236 Cv)



Series VMK
3/2-way inline valve,
G 1/4,
2000 NI/min (2.033 Cv)



Series TK
Distribution block and
pressure switch,
G 1/4,
1300 – 2700 NI/min
(1.321 – 2.744 Cv)

**Accessories for
Series K**





Series FX

Filter,
 G 1/4 to G 3/4,
 2100 – 4000 NI/min
 (2.134 – 4.065 Cv)

Series RX

Pressure regulator,
 G 1/4 to G 3/4,
 1500 – 5600 NI/min
 (1.524 – 5.691 Cv)



Series FRX

Filter/regulator,
 G 1/4 to G 3/4,
 1500 – 3500 NI/min
 (1.524 – 3.557 Cv)



Series OX

Lubricator,
 G 1/4 to G 3/4,
 1800 – 5000 NI/min
 (1.829 – 5.081 Cv)

Series FROX

Two-piece
 air service unit,
 G 1/4 to G 3/4,
 1150 – 3600 NI/min
 (1.169 – 3.659 Cv)





Series KX
Ball valve,
G 1/4 to G 3/4,
2800 – 11000 NI/min
(2.846 – 11.179 Cv)



Series VMX
3/2-way inline valve,
G 1/4 to G 1/2,
870 – 4000 NI/min
(0.884 – 4.065 Cv)



Series DAX
Soft start valve,
G 1/4 to G 1/2,
1000 – 4000 NI/min
(1.016 – 4.065 Cv)



Series TX
Distribution block and
pressure switch,
G 1/4 to G 3/4,
2500 – 11000 NI/min
(2.541 – 11.179 Cv)



**Accessories for
Series X**

Functional fittings



40-90

Silencer, plastic,
G 1/8 - G 1

40-501, 40-502

Silencer, sintered
bronze,
G 1/8 - G 1, M5



40-358

Flow control silencer,
G 1/8, G 1/4

40-350

Check valves,
G 1/8 - G 1/2



40-351

Hand sliding valves,
G 1/8 - G 1/2



40-354

Miniature regulator,
screw-in type,
G 1/8 - G 1/2

40-352, 40-353

Quick couplings,
G 1/8 - G 3/8, M5



40-355

Check valves,
G 1/8 - G 1/2



40-356, 40-357

Flow control valves,
G 1/8 - G 3/8, M5

Quality as a philosophy

In order not only to meet but also to exceed the highest standards in every respect, a comprehensive quality control system was implemented throughout the entire company.

Our specialists are provided with both in-house and external training. In production too, the standards set are high. The CNC-machining centers are kept up to


date at all times and must prove their efficiency day after day in a grueling round of inspections.

No product leaves AIRTEC's premises without passing stringent quality tests. Not only do we rely on our own quality safeguards, but also on external assessments.


That means we tested and optimised our procedures very early on. A sound and growing fund of expertise was essential for certification to DIN EN ISO 9001: 2000, which we have had since 1994 and which is continually audited by accredited companies.

CERTIFICATE

ISO 9001:2000



hereby certifies that the company




AIRTEC Pneumatic GmbH


business field:
Pneumatic Control and Vacuum Technology


location:
Westerbachstraße 7 * D-61476 Kronberg
Carl-Zeiss-Str. 72 * D-72770 Reutlingen

has successfully implemented the above mentioned quality management system according to the standard (12/2000) and applies it effectively. The conformity was inspected during the certification audit documented in audit report no. Z-A0306131. This certificate is only valid in connection with the successful performance of the surveillance audits.

Date of the first certification: <u>11.07.1994</u> This certificate is valid until: <u>08.01.2007</u> Last audit day: <u>06.11.2003</u>	Date of the last certification: <u>09.01.2004</u> Certificate registration no.: <u>4079486/3 duplicate</u>
---	---


 DEKRA Certification GmbH
 Stuttgart, 17.03.2005




 QMS-TGA-ZM-05-91-00

DEKRA Certification GmbH · Handwerkstraße 15 · D-70565 Stuttgart · www.dekra-certification.com

DEKRA Certification

AIRTEC Pneumatic GmbH
Westerbachstrasse 7
D-61476 Kronberg
Germany
Telephone +49 6173 9562-0
Telefax +49 6173 9562-13
www.airtec.de
Email: Info@airtec.de

