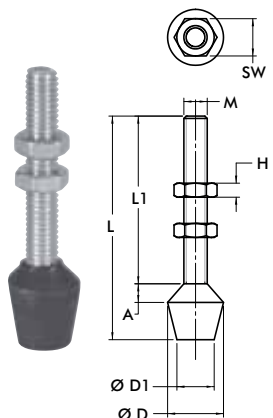




Manual Accessories

Flat-Tip Bonded Neoprene Spindle – Inch

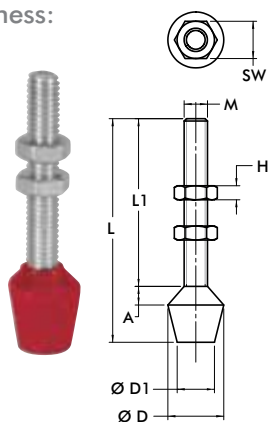
- Black neoprene, hardness: 70-80 Shore A
- Temperature Range: -20°C to 100°C [-22°F to 212°F]
- Oil resistant, LABS (silicone) free
- Includes jam nuts



Part No.	M	L	L1	SW	H	A	ØD	ØD1
▲ 102208	#8-32	[1.25] 31,8	[0.94] 23,8	[0.34]		[0.06] 1,6	[0.56] 14,3	[0.44] 11,1
▲ 105208		[1.00] 25,4	[0.69] 17,4	8,7	[0.13] 3,2			
▲ 201208	#10-32	[1.38] 35,1	[1.01] 25,5	[0.38] 9,5		[0.13] 3,2		
▲ 202208		[1.63] 41,4	[1.08] 27,4			[0.12] 3	[0.63] 16	[0.47] 12
▲ 215208	1/4-20	2.13 54,1	[1.58] 40,1	[0.44] 11,1	[0.16] 4			
▲ 424208		[1.50] 38,1	[1.12] 28,5			[0.13] 3,3	[0.66] 16,8	[0.50] 12,7
▲ 431208		[1.00] 25,4	[0.62] 15,8					
▲ 225208	5/16-18	[2.25] 57,2	[1.54] 39,1	[0.50] 12,7	[0.19] 4,8		[0.83] 21	[0.55] 14
▲ 507208		[3.00] 76,2	[2.29] 58,2					
▲ 240208	3/8-16	[3.25] 82,6	[2.31] 58,5			[0.20] 5	[1.02] 26	[0.79] 20
▲ 527208		[3.50] 88,9	[2.50] 63,5	[0.56] 14,3	[0.22] 5,6		[0.88] 22,2	[0.63] 16
▲ 235208		[5.75] 146,1	[4.77] 121,1				[1.02] 26	[0.79] 20
▲ 247208	1/2-13	[3.87] 98,3	[2.73] 69,3	[0.75] 19,1	[0.31] 7,9	[0.28] 7	[1.18] 30	[0.95] 24
▲ 267208	5/8-11	[5.00] 127	[3.63] 92,1	[0.94] 23,8	[0.38] 9,5	[0.38] 9,5	[1.38] 35,1	[1.00] 25,4

Flat-Tip Bonded Neoprene Spindle – Metric

- Red neoprene, hardness: 80-85 Shore A
- Temperature Range: -20°C to 100°C [-22°F to 212°F]
- Oil resistant, LABS (silicone) free
- Includes jam nuts



Part No.	M	L	L1	SW	H	A	ØD	ØD1
● 431208-M	M6	[1.00] 25,4	[0.6] 15,8			[0.13] 3,3	[0.66] 16,8	[0.66] 16,8
● 424208-M		[1.63] 41,3	[1.25] 31,7	[0.39] 10	[0.13] 3,2			
● 202208-M	M8	[1.73] 44	[1.18] 30			[0.12] 3	[0.63] 16	[0.47] 12
● 215208-M		[2.13] 54	[1.57] 40					
● 225208-M	M10	[2.09] 53	[1.38] 35					
● 2007208-M		[2.48] 63	[1.77] 45	[0.51] 13	[0.16] 4		[0.83] 21	[0.55] 14
● 507208-M		[3.27] 83	[2.56] 65			[0.20] 5		
● 240208-M	M12	[3.11] 79	[2.17] 55	[0.67] 17	[0.20] 5		[1.02] 26	[0.78] 20
● 235208-M		[4.72] 120	[3.74] 95					
● 247208-M		[4.02] 102	[2.87] 73	[0.75] 19	[0.24] 6	[0.28] 7	[1.18] 30	[0.94] 24

Part No.	M	L	L1	SW	H	A	ØD
● 205208-M	M4	[0.87] 22	[0.79] 20	[0.28] 7	[0.09] 2,2	[0.11] 2,8	[0.32] 8
● 201208-M		[1.26] 32	[1.18] 30				
● 305208-M	M5	[1.14] 29	[0.98] 25				
● 213208-M		[1.34] 34	[1.18] 30	[0.32] 8	[0.11] 2,7	[0.39] 10	[0.39] 10
● 2013208-M		[1.54] 39	[1.38]				
● 307208-M	M8	[1.69] 43	35	[0.51] 13	[0.16] 4	[0.75] 19	[0.75] 19

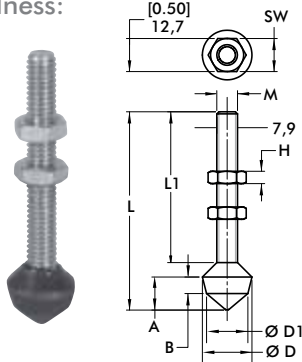
Part No.	D	L	L1	ØG
● 213208-M-L ⓘ	[0.24] 6	[1.34] 34	[1.18] 30	M5

ⓘ Item is available upon request.

Preferred Market: ▲ NA/SA ■ Europe ● Global

**Cone-Tip Bonded Neoprene Spindle – Inch**

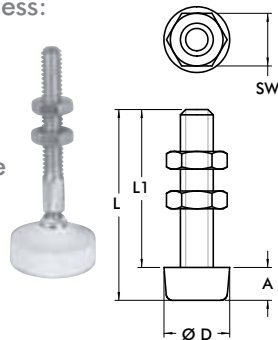
- Black neoprene, hardness: 70-80 Shore A
- Temperature Range: -20°C to 100°C [-22°F to 212°F]
- Oil resistant, LABS (silicone) free
- Includes jam nuts



Part No.	M	L	L1	SW	H	A	B	ØD	ØD1
▲ 305208	#10-32	[1.50] 38,1	[1.00] 25,4	[0.38] 9,5	[0.13] 3,3	[0.38] 9,5	[0.19] 4,8	[0.56] 14,2	[0.44] 11,2
▲ 213208	1/4-20	[2.25] 57,2	[1.56] 39,6	[0.44] 11,2	[0.16] 4,0				
▲ 509208	5/16-18	[3.00] 76,2	[2.28] 57,9	[0.50] 12,7	[0.19] 4,8	[0.50] 12,7	[0.25] 6,4	[0.75] 19,1	[0.63] 16
▲ 519208		[5.50] 139,7	[4.75] 120,7						
▲ 210208	3/8-16	[3.50] 88,9	[2.50] 63,5	[0.56] 14,2	[0.23] 5,8	[0.75] 19,1	[0.41] 10,4	[0.88] 22,4	[0.75] 19,1

**Large Diameter Padded Swivel Foot Spindle-Inch**

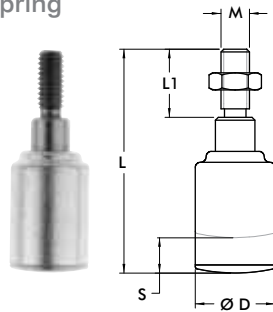
- White neoprene, hardness: 70-80 Shore A
- Temperature Range: -40°C to 105°C [-40°F to 220°F]
- Non-marking neoprene
- Includes jam nuts



Part No.	M	L	L1	SW	H	A	ØD	Swivel Angle
▲ 207209	1/4-20	[2.56] 65	[1.56] 39,6	[0.44] 11,2	[0.16] 4		[1.00] 25,4	14°
▲ 507209	5/16-18	[2.98] 75,7	[1.94] 49,3	[0.50] 12,7	[0.19] 4,8	[0.31] 8	[1.50] 38,1	24°
▲ 210209	3/8-16	[3.56] 90,4	[2.44] 62	[0.56] 14,2	[0.23] 5,8		[2.00] 50,8	26°

**Plunger-matic Assemblies**

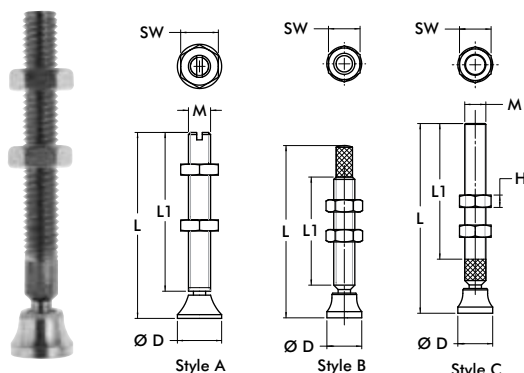
- For use with Straight Line Action clamps
- Internal compression spring compensates for variations in material thickness
- Zinc plated
- Includes jam nut



Part No.	M	L	L1	ØD	Max. Compression S	Spring Constant [lb./in] N/mm	Max. Force [lb.] N
▲ 905	5/16-18	[2.50] 63,5	[0.75] 19,1		[0.19] 4,8	[750] 131	[135] 600
● 905-M	M8			[0.88] 22,2			
▲ 920	3/8-16	[3.63] 92,2	[1.13] 28,6		[0.38] 9,6	[822] 144	[308] 1370
● 920-M	M10						

**Swivel Foot Spindle**

- Includes jam nuts



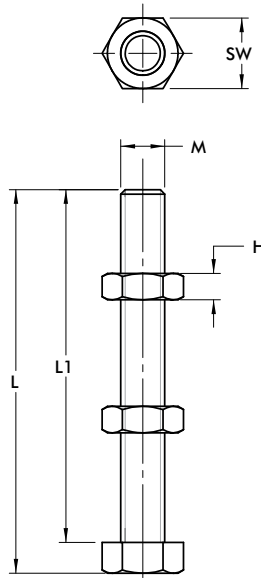
Part No.	M	Style	L	L1	SW	H	ØD	Swivel Angle
■ 207206-M	M6	A	[2.44] 62	[2.13] 54	[0.39] 10	[0.13] 3,2	[0.47] 12	30°
■ 507206-M	M8		[2.87] 73	[2.46] 62,5	[0.51] 13	[0.16] 4	[0.63] 16	
▲ 468206-M	M10	B	[3.00] 76,2	[2.00] 50,8	[0.67] 17	[0.20] 5	[0.79] 20	24°
■ 210206-M		A	[3.31] 84	[2.80] 71			[0.79] 20	
■ 250206-M	M12	A	[4.72] 120	[4.13] 105	[0.75] 19	[0.24] 6	[0.98] 25	30°
▲ 207206	1/4-20	C	[2.38] 60,5	[1.56] 39,6	[0.44] 11,2	[0.16] 4	[0.50] 12,7	14°
▲ 507206	5/16-18		[2.75] 69,9	[1.94] 49,3	[0.50] 12,7	[0.19] 4,8	[0.56] 14,2	
▲ 468206	3/8-16	B	[3.06] 77,7	[1.92] 48,8	[0.56] 14,2	[0.23] 5,8	[0.63] 16	24°
▲ 210206		C	[3.38] 85,9	[2.41] 61,2			[0.63] 16	
▲ 250206	1/2-13	C	[4.63] 117,6	[3.44] 87,4	[0.75] 19,1	[0.31] 7,9	[1.00] 25,4	24°

Preferred Market: ▲ NA/SA ■ Europe ● Global

Manual Accessories

Hex Head Spindle – Stainless Steel

- Includes Plain hexagonal head
- Includes Fully threaded
- Includes Stainless steel, type 303
- Includes Includes jam nuts



Part No.	M	L	L1	SW	H
▲ 205943	#8-32	[0.86] 21,8	[0.75] 19,1	[0.25] 6,4	[0.13] 3,2
▲ 201943	#10-32	[1,37] 34,8	[1,37] 34,8	[0.31] 8	
▲ 202943	1/4-20	[1.67] 42,4	[1.50] 38,1	[0.44] 11,1	[0.16] 4
▲ 207943	5/16-18	[2.72] 69	[2.50] 63,5	[0.50] 12,7	[0.19] 4,8
▲ 237943	3/8-16	[2.75] 69,9		[0.56] 14,2	[0.22] 5,6
▲ 245943	1/2-13	[2.72] 69	[2.38] 60,5	[0.75] 19,1	[0.31] 8
▲ 207943-M	M8	[2.78] 70,6	[2.56] 65	[0.51] 13	[0.16] 4

Hex Head Spindle

- Plain hexagonal head
- Fully threaded
- Zinc plated
- Includes jam nuts

Part No.	M	L	L1	SW	H
● 205203-M	M6	[1.93] 49	[1.77] 45	[0.39] 10	[0.13] 3,2
▲ 461203-M	M8	[1.20] 30,5	[0.98] 25	[0.51] 13	[0.16] 4
● 207203-M		[2.97] 75,5	[2.76] 70		
▲ 491203-M		[1.85] 47	[1.57] 40		
● 210203-M	M10	[3.03] 77	[2.76] 70	[0.67] 17	[0.20] 5
▲ 240203-M		[4.21] 107	[3.94] 100		
● 220203-M	M12	[3.46] 88	[3.15] 80	[0.75] 19	[0.24] 6
● 267203-M	M16	[5.12] 130	[4.72] 120	[0.94] 24	[0.28] 7
▲ 105203*	#8-32	[0.86] 21,8	[0.75] 19,1	[0.25] 6,4	[0.13] 3,3
▲ 305203	#10-32	[1.12] 28,4	[1.00] 25,4	[0.31] 8	

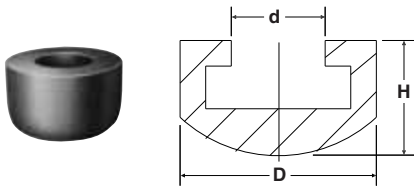
\*Material: nylon

Part No.	M	L	L1	SW	H
▲ 205203	1/4-20	[1.92] 48,8	[1.75] 44,5	[0.44] 11,2	[0.16] 4
▲ 202203		[3.17] 80,5	[3.00] 76,2		
▲ 461203		[1.22] 31	[1.00] 25,4		
▲ 441203	5/16-18	[1.97] 50	[1.75] 44,5	[0.50] 12,7	[0.19] 4,8
▲ 207203		[2.72] 69,1	[2.50] 63,5		
▲ 491203		[1.75] 44,5	[1.50] 38,1		
▲ 210203	3/8-16	[3.00] 76,2	[2.75] 69,9	[0.56] 14,2	[0.23] 5,8
▲ 240203		[4.25] 108	[4.00] 101,6		
▲ 527203		[5.25] 133,4	[5.00] 127		
▲ 325203	1/2-13	[2.84] 72,1	[2.50] 63,5	[0.75] 19,1	[0.31] 7,9
▲ 220203		[3.34] 84,8	[3.00] 76,2		
▲ 250203	5/8-11	[4.42] 111,8	[4.00] 101,6	[0.38] 9,5	[0.38] 9,5

Preferred Market: ▲ NA/SA ■ Europe ● Global

### Neoprene Caps

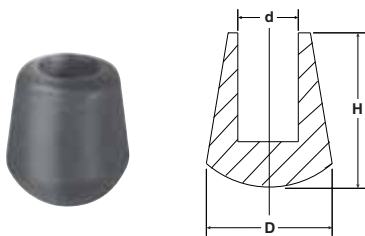
- Slip on head of hex-head spindles
- Hardness: 60-70 Shore A
- Temperature range:  
-40°C to 105°C [-40°F to 220°F]



Part No.	D	d	H	For Spindle Diameter
● 215119	[0.63] 16	[2.50] 63,5	[0.44] 11,1	M6 or 1/4
● 225119	[0.75] 19,1	[0.31] 8	[0.50] 12,7	M8 or 5/16
● 235119	[0.88] 22,3	[0.38] 9,7	[0.53] 13,5	M10 or 3/8

### Special Neoprene Caps

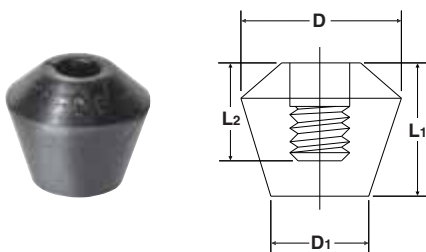
- Slip on threaded spindle rod
- Hardness: 60-70 Shore A
- Temperature range:  
-40°C to 105°C [-40°F to 220°F]



Part No.	D	d	H	For Spindle Diameter
▲ 424107	[0.44] 11,1	[0.22] 5,6	[0.44] 11,1	M6 or 1/4
▲ 235110	[0.72] 18,3	[0.34] 8,6	[0.88] 22,3	M10 or 3/8

### Polyurethane Caps

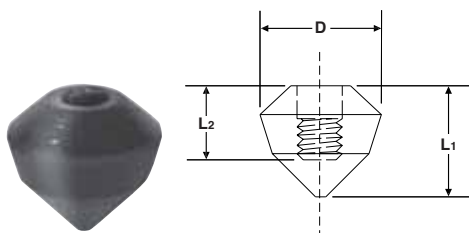
- Flat tip, internally threaded
- Hardness: 80 Shore A
- Temperature range:  
-70°C to 95°C [-90°F to 200°F]



Part No.	D	D1	L1	L2	For Spindle Diameter
▲ 215219	[0.79] 20	[0.50] 12,7	[0.69] 17,5	[0.50] 12,7	1/4
▲ 225219	[0.81] 20,5	[0.63] 16	[0.88] 22,3	[0.63] 16	5/16
▲ 235219	[0.81] 20,5	[0.63] 16	[0.88] 22,3	[0.63] 16	3/8

### Polyurethane Caps – Cone-tip

- Cone tip, internally threaded
- Hardness: 80 Shore A
- Temperature range:  
-70°C to 95°C [-90°F to 200°F]



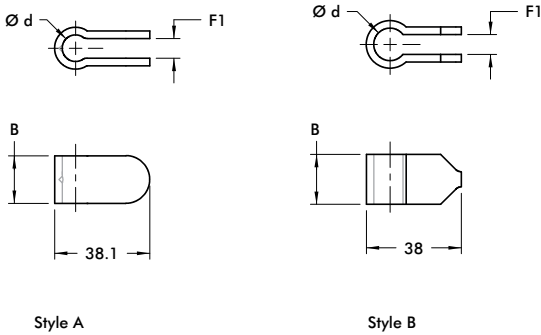
Part No.	D	L1	L2	For Spindle Diameter
▲ 215319	[0.81] 20,5	[0.75] 19,1	[0.50] 12,7	1/4
▲ 225319	[0.81] 20,5	[0.94] 23,9	[0.63] 16	5/16
▲ 235319	[0.81] 20,5	[0.94] 23,9	[0.63] 16	3/8

Preferred Market: ▲ NA/SA ■ Europe ● Global

Manual Accessories

Bolt Retainers –

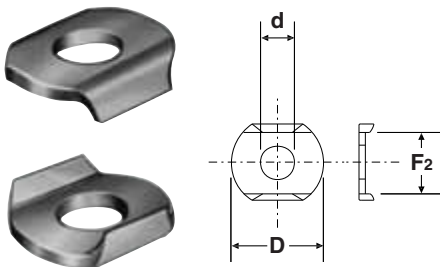
- For use with clamps featuring U-bar and open bar clamping arms



Part No.	A	B	Ød	F1	For Spindle Diameter	Style
▲ 207105	[1.25] 31,8	[0.63] 16	[0.33] 8,4	[0.25] 6,4	M8 or 5/16	A
■ 207105-M	[1.26] 32		[0.32] 8,2	[0.24] 6		B
▲ 210114	[1.50] 38,1	[0.75] 19,1	[0.53] 13,5	[0.31] 8	M10 or 3/8	A
■ 210114-M	[1.49] 38	[0.78] 20	[0.51] 13			B
▲ 247110	[1.63] 41,4	[0.88] 22,3	[0.56] 14,2	[0.38] 9,7	M12 or 1/2	A
■ 247110-M	[1.61] 41	[0.87] 22,2	[0.57] 14,4			B
● 110122	[1.88] 47,8	[1.25] 31,8	[0.64] 16,3		M16 or 5/8	A
▲ 250121		[1.00] 25,4			M12 or 1/2	
● 2002115-E	[0.97] 24,6	[0.50] 12,7	[0.26] 6,6	[0.23] 5,8	M6 or 1/4	
● 2007115-E	[1.26] 32	[0.75] 19,1	[0.34] 8,6		M8 or 5/16	B
● 2010115-E	[1.58] 40,1	[1.13] 28,7	[0.41] 10,4	[0.32] 8,1	M10 or 3/8	

Flanged Washers –

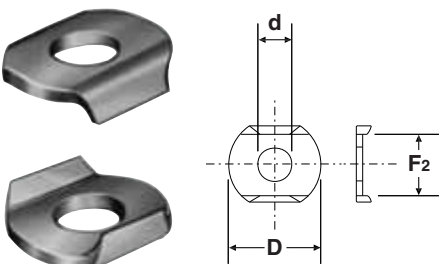
- For use with clamps featuring U-bar and open bar clamping arms
- Zinc plated



Part No.	ØD	Ød	F2	For Spindle Diameter
● 105106	[0.44] 11,2	[0.17] 4,3	[0.33] 8,3	M4 or #8
● 102111	[0.56] 14,2	[0.20] 5,1	[0.38] 9,6	M5 or #10
● 215105	[0.69] 17,5	[0.26] 6,7	[0.50] 12,7	M6 or 1/4
● 507107	[0.88] 22,4	[0.33] 8,4	[0.59] 15	M8 or 5/16
● 235106	[1.00] 25,4	[0.41] 10,5	[0.75] 19,1	M10 or 3/8
● 247109	[1.26] 32	[0.53] 13,5	[0.91] 23,2	M12 or 1/2
● 267102	[1.44] 36,5	[0.66] 16,8	[1.03] 26,2	M16 or 5/8

Flanged Washers-Stainless Steel

- For use with clamps featuring U-bar and open bar clamping arms



Part No.	ØD	Ød	F2	For Spindle Diameter
● 105906	[0.44] 11,2	[0.17] 4,3	[0.33] 8,3	M4 or #8
● 102911	[0.56] 14,2	[0.20] 5,1	[0.38] 9,6	M5 or #10
● 215905	[0.69] 17,5	[0.26] 6,7	[0.50] 12,7	M6 or 1/4
● 507907	[0.88] 22,4	[0.33] 8,4	[0.60] 15,2	M8 or 5/16
● 235906	[1.00] 25,4	[0.41] 10,5	[0.75] 19,1	M10 or 3/8
● 267902	[1.25] 31,8	[0.53] 13,5	[0.91] 23,2	M12 or 1/2

Preferred Market: ▲ NA/SA ■ Europe ● Global

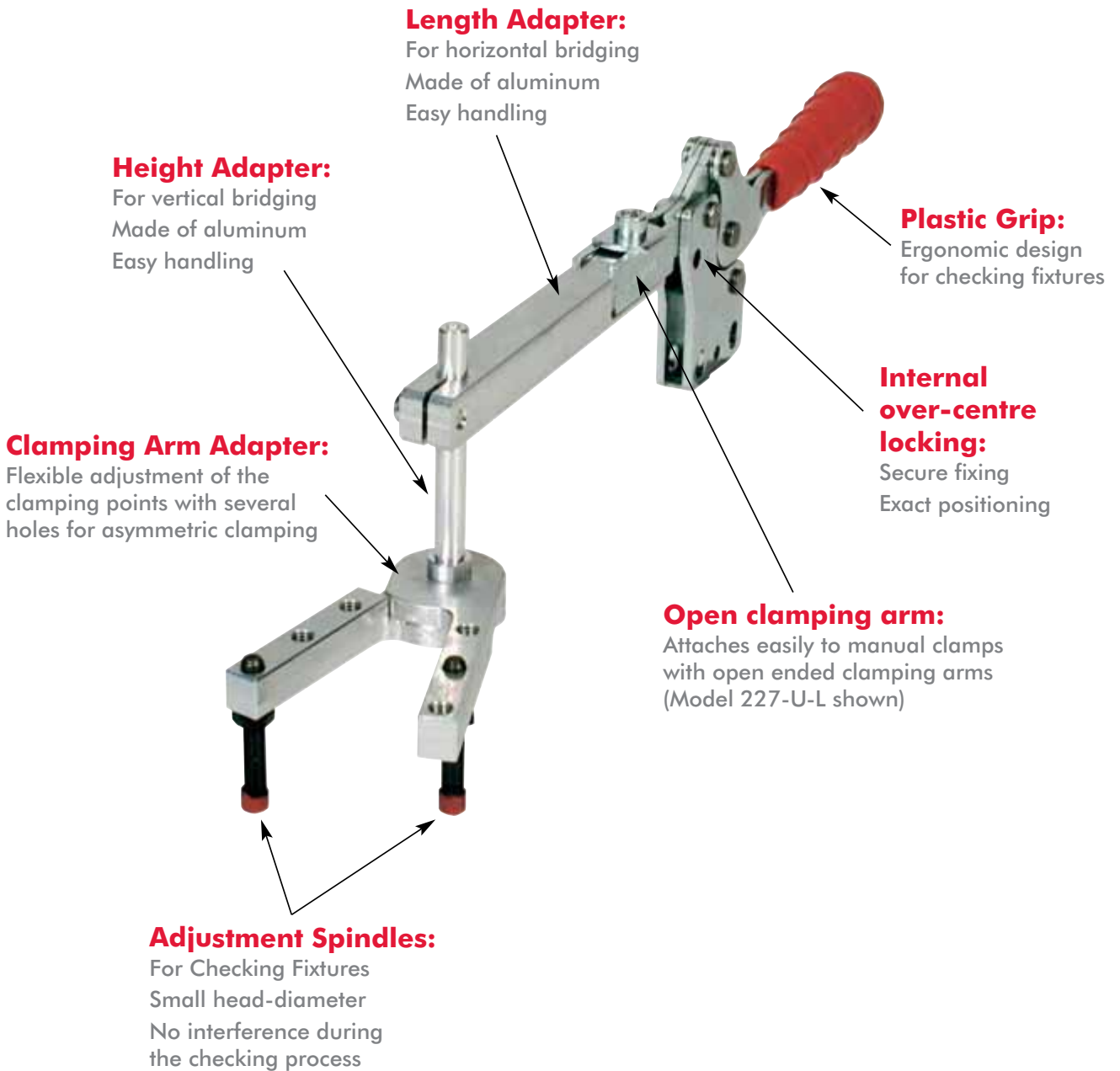
Adapters & Extensions

Features:

- Provides flexible adjustment of length and height
- Mounts to manual clamp models that feature open clamping arms
- Lightweight aluminum

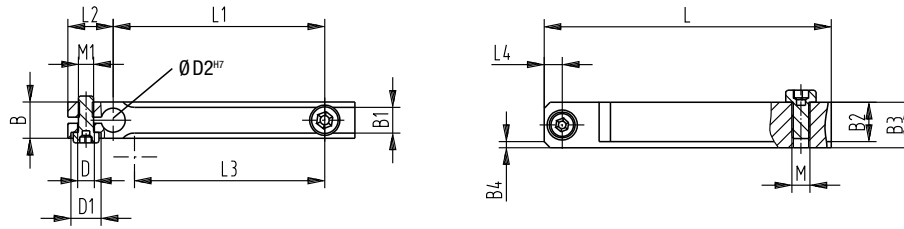
Application Areas:

- Checking fixtures
- Areas requiring multiple clamping points



Adapters & Extensions

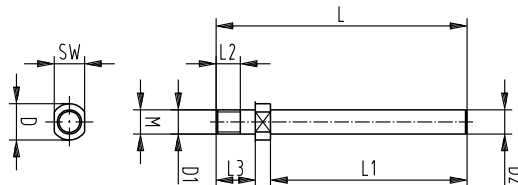
Length Adapter



Model no.	Length adapter	B	B1	B2	B3	B4	DØ	D1 Ø	D2 <sup>H7</sup>	L	L1	L2	L3	L4	M	M1	
		+0, -1									±0,2						
<b>213-U-L / 213-UB-L</b> <b>2013-U / 2013-UB</b> <b>2013-UR / 2013-UBR</b>	<b>L-213-1-01</b> ⓘ <b>L-213-1-02</b> ⓘ	[0.39] 10	[0.22] 5,5	[0.31] 8	[0.39] 10	2x45°	[0.22] 5,5	--		[1.97] 50 [3.54] 90	[1.18] 30 [2.76] 70	[0.47] 12	[0.79] 20	[0.20] 5	M4	M5	
<b>202-U-L / 202-UB-L</b> <b>217-U-L / 217-UB-L</b> <b>2002-U-L / 2002-UB-L</b> <b>2017-U / 2017-UB</b> <b>2017-UR / 2017-UBR</b>	<b>L-217-1-01</b> ⓘ <b>L-217-1-02</b> ⓘ <b>L-217-1-03</b> ⓘ		[0.26] 6,5	[0.35] 9	[0.47] 12	2x45°	[0.22] 5,5		[0.24] 6	[2.17] 55 [3.74] 95 [5.31] 135	[1.18] 30 [2.76] 70 [4.33] 110		[1.30] 33 [1.89] 48		M5	M5	
<b>207-U-L / 207-UB-L</b> <b>227-U-L / 227-UB-L</b> <b>2007-U-LS / 2007-U-LS</b> <b>2027-U / 2027-UB</b> <b>2027-UR / 2027-UBR</b>	<b>L-227-1-01</b> ⓘ <b>L-227-1-02</b> ⓘ <b>L-227-1-03</b> ⓘ <b>L-227-1-04</b> ⓘ	[0.47] 12						[0.39] 10		[2.17] 55 [3.74] 95 [5.31] 135 [6.89] 175	[1.18] 30 [2.76] 70 [4.33] 110 [5.91] 150	[0.59] 15	[1.30] 33 [2.87] 73	[0.24] 6	M6	M5	

ⓘ Available upon request

Height Adapter



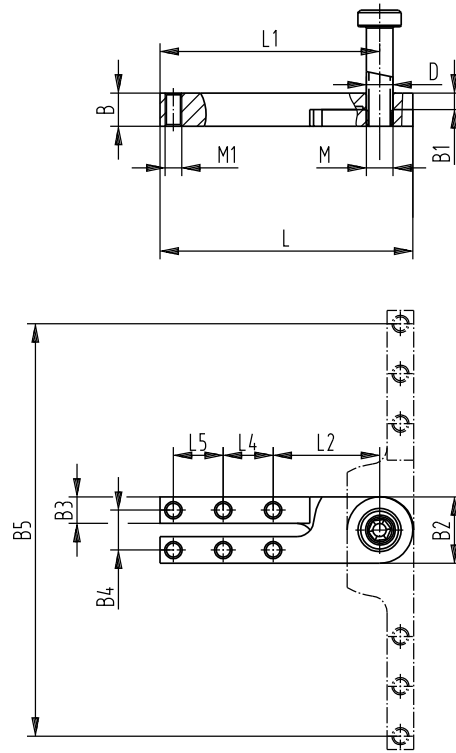
Model no.	Height adapter	DØ	D1 Ø	D2	L	L1	L2	L3	SW	M
			<sup>f7</sup>	<sup>f7</sup>						
<b>213-U-L / 213-UB-L</b> <b>2013-U / 2013-UB</b> <b>2013-UR / 2013-UBR</b>	<b>L-213-2-01</b> ⓘ <b>L-213-2-02</b> ⓘ		[0.20] 5	[0.24] 6	[2.05] 52 [3.23] 82	[1.38] 35 [2.56] 65				M5
<b>202-U-L / 202-UB-L</b> <b>217-U-L / 217-UB-L</b> <b>2002-U-LS / 2002-UB-LS</b> <b>2017-U / 2017-UB</b> <b>2017-UR / 2017-UBR</b>	<b>L-217-2-01</b> ⓘ <b>L-217-2-02</b> ⓘ	[0.39] 10	[0.24] 6	[0.24] 6	[2.05] 52 [3.23] 82	[1.38] 35 [2.56] 65	[0.31] 8	[0.47] 12	[0.31] 8	M6
<b>207-U-L / 207-UB-L</b> <b>227-U-L / 227-UB-L</b> <b>2007-U-LS / 2007-U-LS</b> <b>2027-U / 2027-UB</b> <b>2027-UR / 2027-UBR</b>	<b>L-227-2-01</b> ⓘ <b>L-227-2-02</b> ⓘ	[0.31] 8	[0.31] 8	[0.31] 88	[2.09] 53 [3.23] 82	[1.38] 35 [2.56] 65		[0.51] 13	[0.39] 10	M8

ⓘ Available upon request



Adapters & Extensions

Clamping Arm Adapter



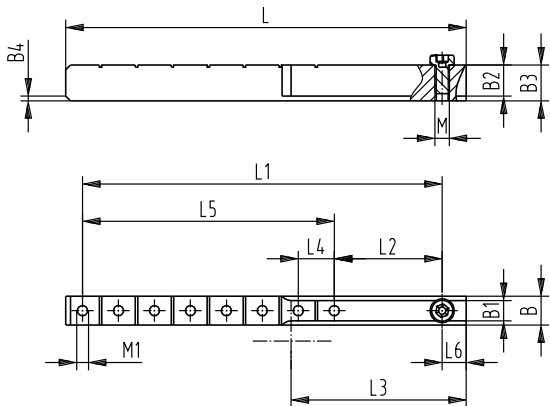
Model no.	Clamping arm adapter	B	B1	B2	B3	B4	B5	DØ H7	L	L1	L2	L4	L5	L6	M	M1
213-U-L / 213-UB-L 2013-U / 2013-UB 2013-UR / 2013-UBR	L-213-3-01 ⓘ							[0.20] 5					-		M5	M5
202-U-L / 202-UB-L 217-U-L / 217-UB-L 2002-U-LS / 2002-UB-LS 2017-U / 2017-UB 2017-UR / 2017-UBR	L-217-3-01 ⓘ	[0.39] 10	[0.20] 5	[0.79] 20	[0.31] 8	[0.47] 12	[3.70] 94	[0.24] 6	[2.40] 61	[2.01] 51					M6	M5
207-U-L / 207-UB-L 227-U-L / 227-UB-L 2007-U-LS / 2007-UB-LS 2027-U / 2027-UB 2027-UR / 2027-UBR	L-227-3-01 ⓘ						4.88 124	[0.31] 8	[2.99] 76	[2.60] 66			[0.59] 15		M8	M5

ⓘ Available upon request

## Adapters & Extensions

### Arm Extension:

- Easily cut to length
- Drilled & tapped for spindle attachment



Model no.	Extension link	B	B1	B2	B3	B4	L	L1	L2	L3	L4	L5	L6	M	M1
		+0, -1					±0,2								
213-U-L / 213-UB-L 2013-U / 2013-UB 2013-UR / 2013-UBR	L-213-4-01 ⓘ	[0.39] 10	[0.22] 5,5	[0.31] 8	[0.39] 10	2x45°	[2.95] 75	[2.36] 60	[0.94] 24	[0.79] 20	[0.47] 12	[1.42] 36	[0.31] 8	M4	M5
202-U-L / 202-UB-L 217-U-L / 217-UB-L 2002-U-LS / 2002-UB-LS 2017-U / 2017-UB 2017-UR / 2017-UBR	L-217-4-01 ⓘ		[0.26] 6,5	[0.35] 9	[0.47] 12	2x45°	[5.00] 127	[4.33] 110	[1.38] 35	[1.89] 48		[2.95] 75	[0.39] 10	M5	M5
207-U-L / 207-UB-L 227-U-L / 227-UB-L 2007-U-LS / 2007-UB-LS 2027-U / 2027-UB 2027-UR / 2027-UBR	L-227-4-01 ⓘ	[0.47] 12				2x45°	[6.57] 167	[5.91] 150	[1.77] 45	[2.87] 73			[0.47] 12		M5

ⓘ Available upon request