

HOLIDAY
djTM



HOLIDAY DJ
INSTRUCTION
MANUAL

IMPORTANT SAFTY INSTRUCTIONS

1. Read these instructions.
2. Keep these instructions.
3. Heed all warnings.
4. Follow all instructions.
5. Do not use this apparatus near water.
6. Clean only with dry cloth.
7. Do not block any ventilation openings. Install in accordance with the manufacturer's instructions.
8. Do not install near any heat sources such as radiators, heat registers, stoves, or other apparatus (including amplifiers)
9. Do not defeat the safety purpose of the polarized or grounding-type plug. A polarized plug has two blades with one wider than the other. A grounding type plug has two blades and a third grounding prong. The wide blade or the third prong are provided for your safety. If the provided plug does not fit into your outlet, consult an electrician for replacement of the obsolete outlet.
10. Protect the power cord from being walked on or pinched particularly at plugs, convenience receptacles, and the point where they exit from the apparatus.
11. Only use attachments/accessories specified by the manufacturer.
12. Unplug this apparatus during lightning storms or when unused for long periods of time.
13. Refer all servicing to qualified service personnel. Servicing is required when the apparatus has been damaged in any way, such as power-supply cord or plug is damaged, liquid has been spilled or objects have fallen into the apparatus, the apparatus has been exposed to rain or moisture, does not operate normally, or has been dropped.



WARNING – is intended to alert the user to the presence of important operating and maintenance (servicing) instructions in the literature accompanying the product.



ELECTRIC SHOCK HAZARD – is intended to alert the user to the presence of uninsulated dangerous voltage with the product's enclosure that may be of sufficient magnitude to constitute a risk of electric shock to person.



“WARNING” “To reduce the risk of fire or electric shock, do not expose this apparatus to rain or moisture.”



“WARNING” “Apparatus shall not be exposed to dripping or splashing and that no objects filled with liquids, such as vases, shall be placed on the apparatus.”



“WARNING” “An apparatus with Class 1 construction shall be connected to a mains socket outlet with a protective earthing connection.

Where the mains plug or an appliance coupler is used as the disconnect device, the disconnect device shall remain readily operable. The marking label is provided on the bottom of the apparatus.

USE AND CARE INSTRUCTIONS

1. When the product is used with a live tree, the tree should be well maintained and fresh. Do not use with live trees in which the needles are brown or break off easily. Keep the tree holder filled with water.
2. The tree should be well secured and stable.
3. Before using or reusing, inspect product carefully. Discard any products that have cut, damaged, or frayed wire insulation on cords, loose connections, or exposed copper wire.

- When storing the product carefully remove the product from wherever it is placed, including trees, branches, or bushes, to avoid any undue strain or stress on the product conductors, connections, and wires.
- When not in use, store neatly in a cool, dry location protected from sunlight.

WARNING

When using the HOLIDAY DJ, basic safety precautions should always be followed. This product has a socket for external devices to be plugged in. Please note that the corresponding socket is intended for **use ONLY with** seasonal light strings and pre-lit Christmas trees.

CONNECTING LIGHT STRINGS

MAXIMUM CAPACITY 420 WATTS

If connecting to a light string that does not have a Wattage (W) rating, calculate the wattage as follows: Multiply the current which is on the flag-type tag by 120. For example, the light string label as in 0.08A. Therefore, the Wattage of the corresponding light string is $0.08A \times 120V = 9.6W$. Therefore, the maximum number of cascaded light string is $420W / 9.6W = 43.75$ which mean no more than 43 light string (with 9.6W) to be cascaded.

WARNING

DO NOT CONNECT LIGHT STRINGS OR SETS IN EXCESS OF THE ABOVE CAPACITY. ALSO, DO NOT PLUG IN ANY OTHER APPLIANCE OR EQUIPMENT APART FROM THE LIGHT STRINGS.

INSTALLATION

Notes: It may be useful to check your light strings for missing or faulty bulbs before setting up your HOLIDAY DJ. If your light strings are not working, your light show will not function as intended. For ease of installation, it is advisable to check that you holiday lights do not exceed 420 Watts and to hang your holiday lights on your tree before connecting your HOLIDAY DJ.

Capacity: Your HOLIDAY DJ has a capacity of 420 Watts. Please refer to the instruction manual on your holiday lighting to determine the exact wattage of each item being plugged into the unit. THIS PRODUCT IS ONLY RECOMMENDED FOR USE WITH UL LISTED ITEMS. To ensure that you do not to exceed the Holiday DJ's 420 Watts capacity, add the wattage of each item being plugged into the unit for the TOTAL WATTAGE. Please refer to the "CONNECTING LIGHT STRINGS" section as mentioned.

WARNING

DO NOT EXCEED 420 WATTS

QUICK START GUIDE

Synchronizing holiday music, sound effects, and lights is a cinch with HOLIDAY DJ.

Here's how:

- Plug HOLIDAY DJ into any 120V AC outlet and your pre-lit tree or light strings into the three-pronged outlet on the back of the HOLIDAY DJ. Be certain that the total wattage does not exceed 420 watts (See "Connecting Light Strings" section for more information)
- Press and hold the power button on the front to turn on HOLIDAY DJ
- Go to "Bluetooth" on your compatible device
- Click "Scan for Devices"
- Select "HOLIDAY DJ"
- Start streaming any songs in your personal music library and the lights will flash to the beat of the music

Then:

- Go to www.holidaydj.com to register as a product owner
- Download the Free DJ Mixer App and check out the video
- You can also download Free Christmas Lightshow Music as well as a library of Christmas and Halloween sound effects that you can mix with your music to stream through the HOLIDAY DJ
- Create "beat pulsing" and other fabulous effects with the mixer

HOLIDAY DJ works with any “smart” Bluetooth-enabled device * on IOS, Android, or Windows 8 platforms

You can use HOLIDAY DJ with :

- Phone®, iPad®, iPod®, iPod touch®
- Android phones and tablets, Bluetooth® -enabled Mp3 players
- Windows-enabled phones, tablets, PCs

**Or use 3.5mm audio input for non-Bluetooth-enabled devices*

JOIN THE HOLIDAY DJ COMMUNITY!

When you register at www.holidaydj.com you can access everything you need to create unforgettable holiday displays and parties. Mix music, lights and sound effects for Christmas, New Year’s, Halloween and other parties.

- **FREE** mixer app combines music and sound effects
- Fabulous Christmas tree light show
- **FREE** library of Christmas music
- **FREE** library of Halloween sound effects

Share the fun!

- Upload a video to show off your fabulous party effects, enter a HOLIDAY DJ contest ,and interact with other HOLIDAY DJ users!

ADDITIONAL OPERATING INSTRUCTIONS AND FAQ

1. Place the HOLIDAY DJ at the bottom or next to the Christmas Tree. You also can use the HOLIDAY DJ as the party speaker.
2. Plug your holiday lighting into the outlet provided on the unit. *shown in figure 1.*

(MAX CAPACITY is 420 WATTS. DO NOT PLUG IN ANY OTHER ELECTRICAL GOODS OTHER THAN THE HOLIDAY LIGHTS AND PRE-LIT TREES).

3. Plug the HOLIDAY DJ line cord into a 120V AC indoor outlet.

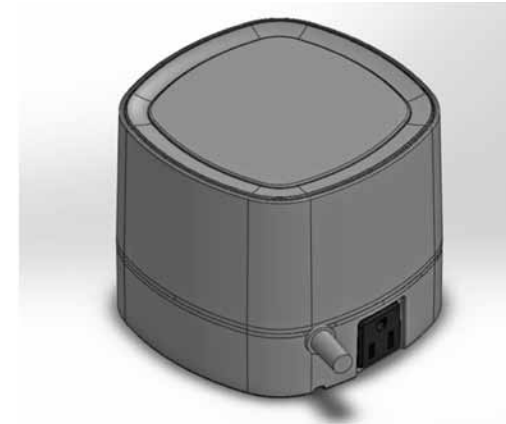


figure 1 – Plug the lighting into the black outlet.

BLUETOOTH OPERATION

1. Press and hold the power button (as shown in figure 2) of the HOLIDAY DJ until you hear the “beep-beep” tone. This indicates the HOLIDAY DJ has entered its discoverable mode. The HOLIDAY DJ will also attempt reconnection to the last four devices it was connected to while in its discoverable mode. If there is a device that the HOLIDAY DJ was previously connected to within 33 feet, HOLIDAY DJ will automatically connect to this device. To prevent this from happening turn off the Bluetooth connection on any device that you have connected the HOLIDAY DJ to after you are done using it.
2. To connect to a new device, please activate Bluetooth on the desired mobile phone, tablet or computer and be sure that the device is within 33 feet of HOLIDAY DJ. The words “HOLIDAY DJ” will appear on the list under Select Device. if HOLIDAY DJ does not appear try turning Bluetooth off and then on again, and be sure that the device is within 33 feet of the HOLIDAY DJ.

3. The incandescent light bulbs, or LEDs, will turn on indicating that the connection from your selected Bluetooth-enabled device and the HOLIDAY DJ has been successfully completed.
4. Stream and play the music from your Bluetooth devices through the HOLIDAY DJ. The connected lights will flash to the beats of the streamed music.
5. HOLIDAY DJ has 15 volume levels. By pressing the Volume Up or Volume Down buttons (as shown in figure 2), you can adjust the volume to your desired level. Please note that a “beep-beep” tone will occur when the volume hits its maximum level.

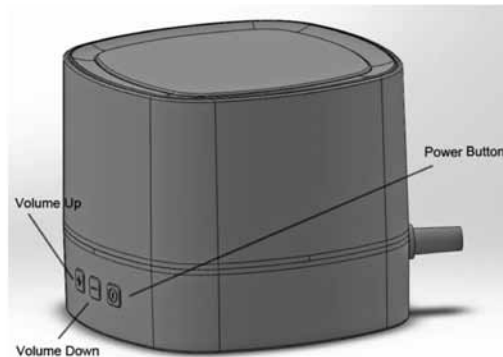


Figure 2 – Showing the Buttons Control

ANALOG AUDIO INPUT

1. HOLIDAY DJ has a 3.5mm jack analog input (as shown in figure 3) which can be used to connect it to any device that has an analog audio output (3.5mm connector cable is required, and not included with purchase of Holiday DJ). Please turn off the Bluetooth connection on any devices within 33 feet of the HOLIDAY DJ when using the analog input mode.

2. Once the analog input is plugged into the HOLIDAY DJ the incandescent light bulbs or LEDs will light up and stay on.
3. Play music from the analog audio source through the HOLIDAY DJ. The connected lights will flash to the beats of the music.
4. Press the Volume Up or Volume Down buttons to adjust the sound volume.

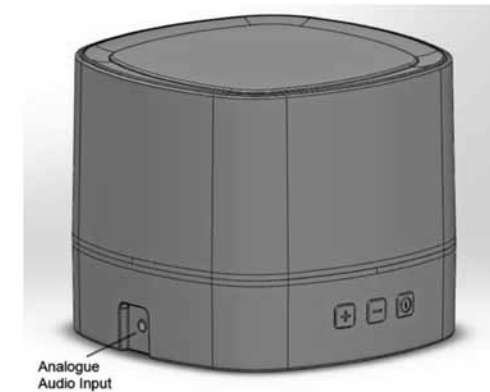


Figure 3 – Showing the 3.5mm analog audio input

FREQUENTLY ASKED QUESTIONS

1. Why can't I hear music as soon as I turn the HOLIDAY DJ on and can see that its Blue LED lights are on?

Answer: HOLIDAY DJ only works in conjunction with a Bluetooth-enabled (also called “smart”) device (mobile phone/tablets/PCs). When successfully connected to HOLIDAY DJ, your smart device will show “connected” on its screen. Please also make sure that your Bluetooth-enabled device is within 33 feet of the HOLIDAY DJ.

2. Why aren't my lights flashing when music is playing through the HOLIDAY DJ?

Answer: First make sure your lights are in proper working order. If your lights are in proper working order, try turning up the volume on the HOLIDAY DJ to be sure that it is picking up the beats of the music. You may also want to consider whether the song playing has a lot of beats – if it does not, then the light flashing synchronization will not work.

3. There is no music playback when the analog plug is being used.

Answer: Please make sure that all Bluetooth-enabled devices have the Bluetooth function turned off. In addition, confirm that the audio input cable is 3.5mm and not a different size.

WARRANTY

Cavanagh Group warrants to the original consumer/purchaser of the HOLIDAY DJ that it will be free from defects in material and workmanship for a period of 90 days from the date of purchase. Any liability of HOLIDAY DJ under this warranty shall be limited to the repair or replacement of defective parts without charge if the item is returned with shipping charges prepaid together with proof of date-of-purchase, name and mailing address of the original consumer/purchaser and a description of the defect.

For a claim number and instructions on how and where to return the item please call warranty service at:

HOLIDAY DJ shall not be liable for any other damages or loss. Some states do not allow the exclusion or limitation of incidental or consequential damages. Accordingly, the limitation or exclusion may not be applicable to certain consumers/purchasers.

This warranty does not cover defects caused by damage in transit, abuse, accident, negligence or repairs made by others. This warranty gives the consumer/purchase specific legal rights. The consumer/purchaser may also have other rights which vary from state to state.

FEDERAL COMMUNICATIONS COMMISSION CODE PART 15

WARNING

Changes or modifications to this unit not expressly approved by the party responsible for compliance could void user authority to operate equipment.

NOTES: This equipment has been tested and found to comply with the limits for a Class B digital device, pursuant to Part 15 of the FCC Rules. These limits are designed to provide reasonable protections against harmful interference in a residential installation. This equipment generates, uses and can radiate radio frequency energy and, if not installed and used in accordance with the instructions, may cause harmful interference to radio communications. However, there is no guarantee that interference will not occur in a particular installation. If the equipment does cause harmful interference to radio or television reception, which can be determined by turning the equipment off and on, the user is encouraged to correct the interference by one or more of the following measures:

- Reorient or relocate the receiving antenna
- Increase the separation between the equipment and the receiver
- Connect the equipment to an outlet on a circuit different from that which the receiver is connected
- Consult the dealer or an experienced radio/TV technician for help

HOLIDAY

dj

™