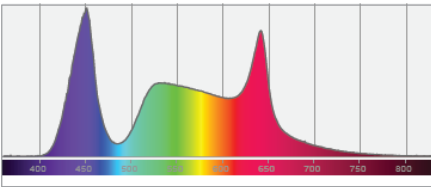
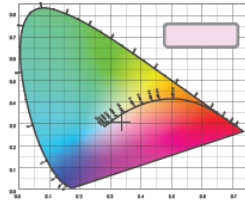


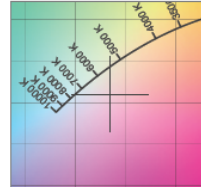
Spectral distribution



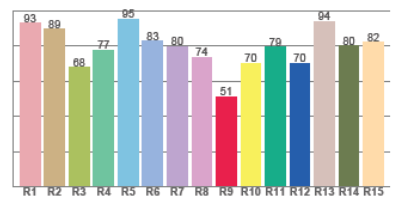
Color coordinates



Zoom color point



CRI R values



Photometric Test Report

*Due to additional product enhancements, an updated version of this report may be available online. Please check www.adj.com for the latest revision/update of this report.



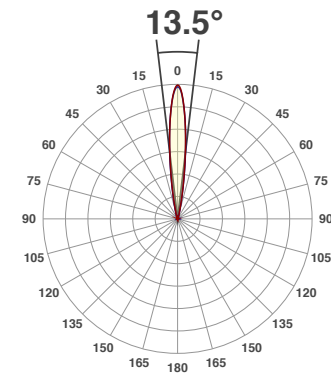
Light efficiency:



Light quality:



Color temperature:



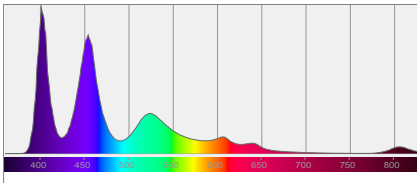
Product name:
MOD HEX100

Test:
Full On

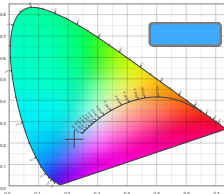
Date:
10/10/2017

Output: 1763 lm Power consumption: 93.6 W Peak: 22222 cd

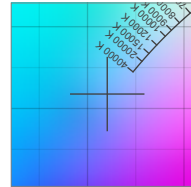
Spectral distribution



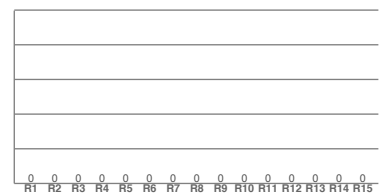
Color coordinates



Zoom color point

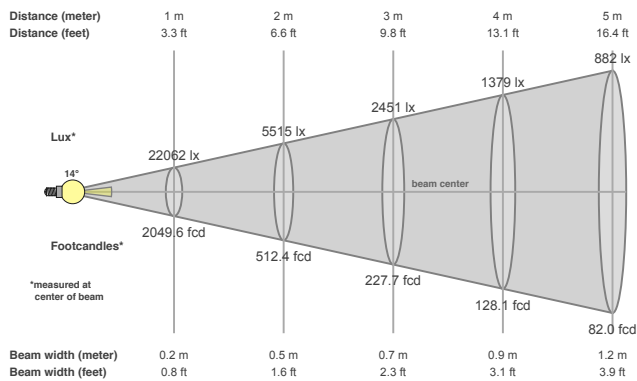


CRI R values



Color temperature	Color rendering index	Red component	Color fidelity	Color gamut	Color quality scale	Color coordinate cie 1931	Color coordinate cie 1931	Color coordinate	Color coordinate	Color divition from black body
CCT	CRI	CRI R9	TM30 Rf	TM30 Rg	CQS	x	y	u	v	Δuv
0 K	0.0	0.0	0.0	0.0	0.0	0.220	0.218	0.171	0.253	n/a

Beam details



Beam angels

Beam angle 50%	Field angle 10%	Cutoff angle 2,5%
13.5°	25.5°	39.9°

Beam intensities

Peak intensity	Int. ratio in 120° cone	Int. ratio in 90° cone
22222 cd	98.2%	96.7%

Power

Power	Power factor	Power frequency
93.6 W	0.63	60 Hz

Nominal voltage	Voltage	Current
230 V	115 V	1.29 A

Beam intensities from 1-20m

1m	2m	3m	4m	5m	6m	7m	8m	9m	10m	11m	12m	13m	14m	15m	16m	17m	18m	19m	20m
3.3ft	6.6ft	9.8ft	13.1ft	16.4ft	19.7ft	23ft	26.2ft	29.5ft	32.8ft	36.1ft	39.4ft	42.7ft	45.9ft	49.2ft	52.5ft	55.8ft	59.1ft	62.3ft	65.6ft
22062lx	5515lx	2451lx	1379lx	882lx	613lx	450lx	345lx	272lx	221lx	182lx	153lx	131lx	113lx	98lx	86lx	76lx	68lx	61lx	55lx
2049.6fcd	512.4fcd	227.7fcd	128.1fcd	82fcd	56.9fcd	41.8fcd	32fcd	25.3fcd	20.5fcd	16.9fcd	14.2fcd	12.1fcd	10.5fcd	9.1fcd	8fcd	7.1fcd	6.3fcd	5.7fcd	5.1fcd



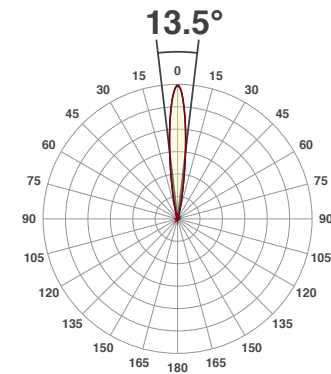
Light efficiency:



Light quality:



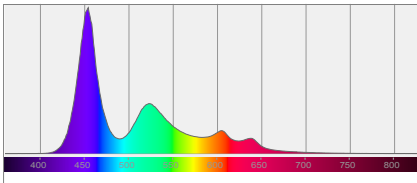
Color temperature:



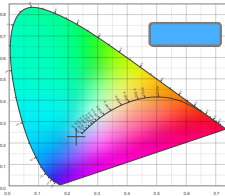
Product name:
MOD HEX100
Test:
Full On No UV
Date:
10/10/2017

Output: 1824 lm Power consumption: 77.6 W Peak: 23001 cd

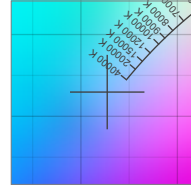
Spectral distribution



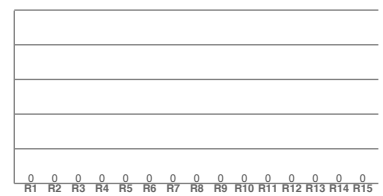
Color coordinates



Zoom color point

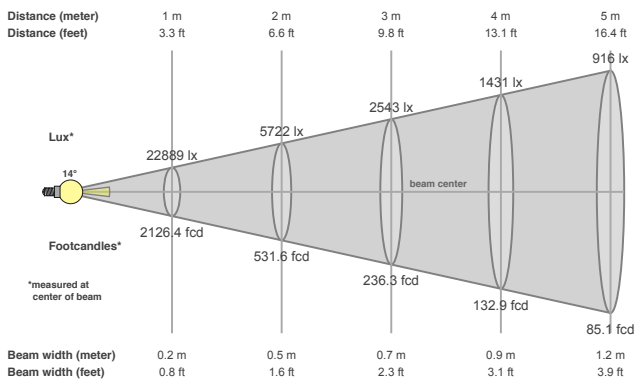


CRI R values



Color temperature	Color rendering index	Red component	Color fidelity	Color gamut	Color quality scale	Color coordinate cie 1931	Color coordinate cie 1931	Color coordinate	Color coordinate	Color divition from black body
CCT	CRI	CRI R9	TM30 Rf	TM30 Rg	CQS	x	y	u	v	Δuv
0 K	0.0	0.0	0.0	0.0	0.0	0.227	0.230	0.171	0.260	n/a

Beam details



Beam angels

Beam angle 50%	Field angle 10%	Cutoff angle 2,5%
13.5°	25.5°	39.9°

Beam intensities

Peak intensity	Int. ratio in 120° cone	Int. ratio in 90° cone
23001 cd	98.3%	96.9%

Power

Power	Power factor	Power frequency
77.6 W	0.62	60 Hz

Nominal voltage	Voltage	Current
230 V	117 V	1.07 A

Beam intensities from 1-20m

1m	2m	3m	4m	5m	6m	7m	8m	9m	10m	11m	12m	13m	14m	15m	16m	17m	18m	19m	20m
3.3ft	6.6ft	9.8ft	13.1ft	16.4ft	19.7ft	23ft	26.2ft	29.5ft	32.8ft	36.1ft	39.4ft	42.7ft	45.9ft	49.2ft	52.5ft	55.8ft	59.1ft	62.3ft	65.6ft
22889lx	5722lx	2543lx	1431lx	916lx	636lx	467lx	358lx	283lx	229lx	189lx	159lx	135lx	117lx	102lx	89lx	79lx	71lx	63lx	57lx
2126.4fcd	531.6fcd	236.3fcd	132.9fcd	85.1fcd	59.1fcd	43.4fcd	33.2fcd	26.3fcd	21.3fcd	17.6fcd	14.8fcd	12.6fcd	10.8fcd	9.5fcd	8.3fcd	7.4fcd	6.6fcd	5.9fcd	5.3fcd



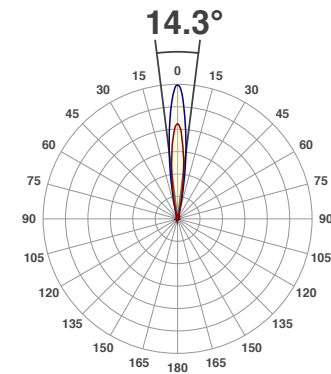
Light efficiency:



Light quality:



Color temperature:



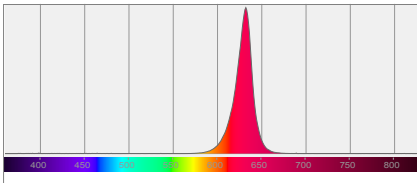
Product name:
MOD HEX100

Test:
Red

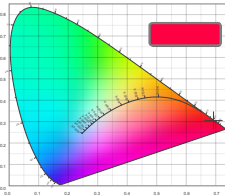
Date:
10/10/2017

Output: 161 lm Power consumption: 16.2 W Peak: 2055 cd

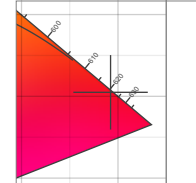
Spectral distribution



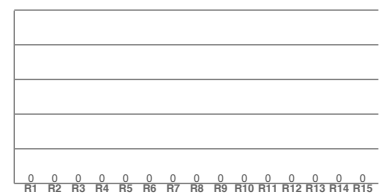
Color coordinates



Zoom color point

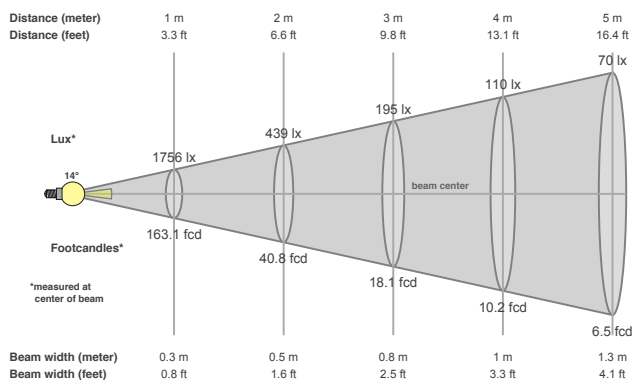


CRI R values



Color temperature	Color rendering index	Red component	Color fidelity	Color gamut	Color quality scale	Color coordinate cie 1931	Color coordinate cie 1931	Color coordinate	Color coordinate	Color divition from black body
CCT	CRI	CRI R9	TM30 Rf	TM30 Rg	CQS	x	y	u	v	Δuv
0 K	0.0	0.0	0.0	0.0	0.0	0.692	0.305	0.525	0.347	n/a

Beam details



Beam angels

Beam angle 50%	Field angle 10%	Cutoff angle 2,5%
14.3°	26.8°	41.5°

Beam intensities

Peak intensity	Int. ratio in 120° cone	Int. ratio in 90° cone
2055 cd	93.8%	92.0%

Power

Power	Power factor	Power frequency
16.2 W	0.5	60 Hz

Nominal voltage	Voltage	Current
230 V	117 V	0.279 A

Beam intensities from 1-20m

1m	2m	3m	4m	5m	6m	7m	8m	9m	10m	11m	12m	13m	14m	15m	16m	17m	18m	19m	20m
3.3ft	6.6ft	9.8ft	13.1ft	16.4ft	19.7ft	23ft	26.2ft	29.5ft	32.8ft	36.1ft	39.4ft	42.7ft	45.9ft	49.2ft	52.5ft	55.8ft	59.1ft	62.3ft	65.6ft
1756lx	439lx	195lx	110lx	70lx	49lx	36lx	27lx	22lx	18lx	15lx	12lx	10lx	9lx	8lx	7lx	6lx	5lx	5lx	4lx
163.1fcd	40.8fcd	18.1fcd	10.2fcd	6.5fcd	4.5fcd	3.3fcd	2.5fcd	2fcd	1.6fcd	1.3fcd	1.1fcd	1fcd	0.8fcd	0.7fcd	0.6fcd	0.6fcd	0.5fcd	0.5fcd	0.4fcd



Light efficiency:

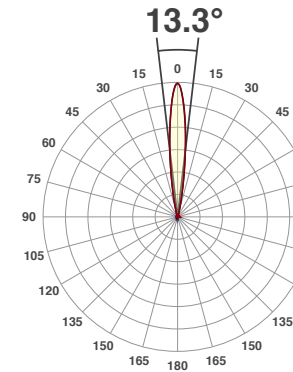
40 Lumen/Watt

Light quality:

CRI: 0.0

Color temperature:

0 K



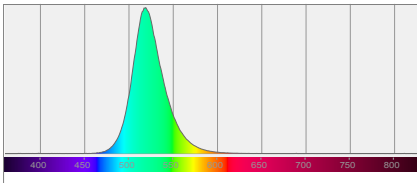
Product name:
MOD HEX100

Test:
Green

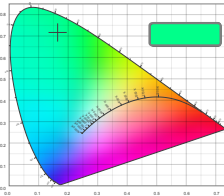
Date:
10/10/2017

Output: 850 lm Power consumption: 21.5 W Peak: 11036 cd

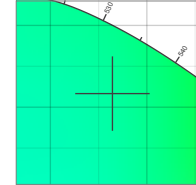
Spectral distribution



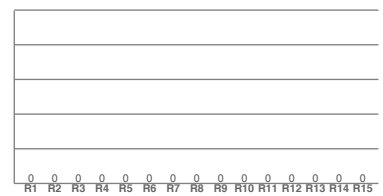
Color coordinates



Zoom color point

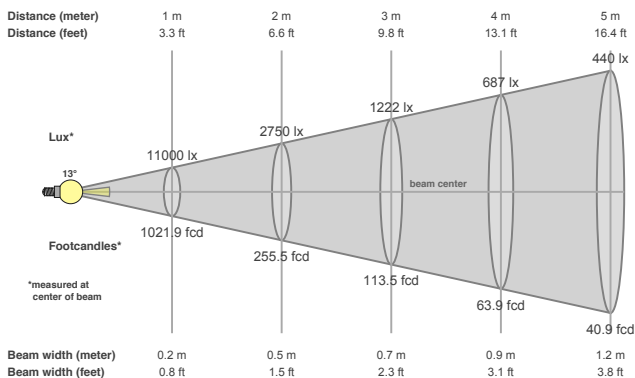


CRI R values



Color temperature	Color rendering index	Red component	Color fidelity	Color gamut	Color quality scale	Color coordinate cie 1931	Color coordinate cie 1931	Color coordinate	Color coordinate	Color divition from black body
CCT	CRI	CRI R9	TM30 Rf	TM30 Rg	CQS	x	y	u	v	Δuv
0 K	0.0	0.0	0.0	0.0	0.0	0.164	0.717	0.058	0.381	n/a

Beam details



Beam angels

Beam angle 50%	Field angle 10%	Cutoff angle 2,5%
13.3°	25.1°	38.6°

Beam intensities

Peak intensity	Int. ratio in 120° cone	Int. ratio in 90° cone
11036 cd	97.7%	96.2%

Power

Power	Power factor	Power frequency
21.5 W	0.52	60 Hz

Nominal voltage	Voltage	Current
230 V	115 V	0.363 A

Beam intensities from 1-20m

1m	2m	3m	4m	5m	6m	7m	8m	9m	10m	11m	12m	13m	14m	15m	16m	17m	18m	19m	20m
3.3ft	6.6ft	9.8ft	13.1ft	16.4ft	19.7ft	23ft	26.2ft	29.5ft	32.8ft	36.1ft	39.4ft	42.7ft	45.9ft	49.2ft	52.5ft	55.8ft	59.1ft	62.3ft	65.6ft
11000lx	2750lx	1222lx	687lx	440lx	306lx	224lx	172lx	136lx	110lx	91lx	76lx	65lx	56lx	49lx	43lx	38lx	34lx	30lx	27lx
1021.9fcd	255.5fcd	113.5fcd	63.9fcd	40.9fcd	28.4fcd	20.9fcd	16fcd	12.6fcd	10.2fcd	8.4fcd	7.1fcd	6fcd	5.2fcd	4.5fcd	4fcd	3.5fcd	3.2fcd	2.8fcd	2.6fcd



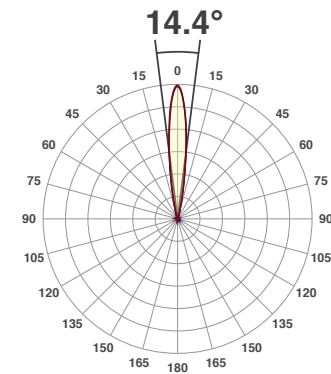
Light efficiency:



Light quality:



Color temperature:



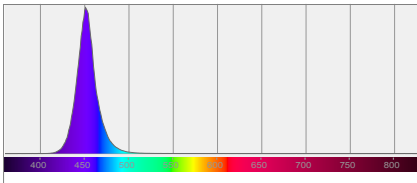
Product name:
MOD HEX100

Test:
Blue

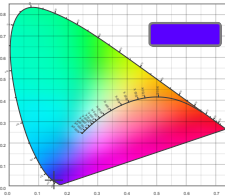
Date:
10/10/2017

Output: 140 lm Power consumption: 22.6 W Peak: 1445 cd

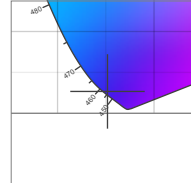
Spectral distribution



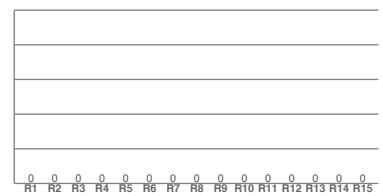
Color coordinates



Zoom color point

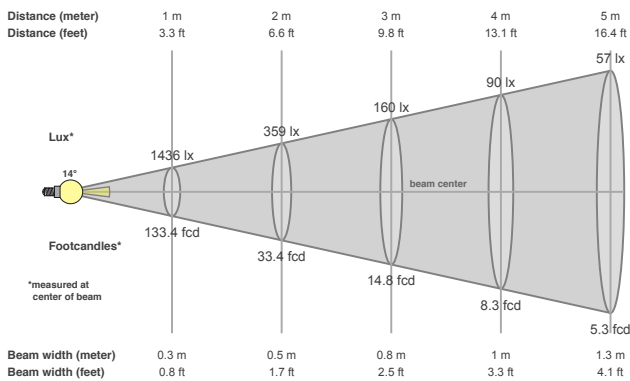


CRI R values



Color temperature	Color rendering index	Red component	Color fidelity	Color gamut	Color quality scale	Color coordinate cie 1931	Color coordinate cie 1931	Color coordinate	Color coordinate	Color divition from black body
CCT	CRI	CRI R9	TM30 Rf	TM30 Rg	CQS	x	y	u	v	Δuv
0 K	0.0	0.0	0.0	0.0	0.0	0.152	0.027	0.201	0.053	n/a

Beam details



Beam angels

Beam angle 50%	Field angle 10%	Cutoff angle 2,5%
14.4°	26.9°	42.8°

Beam intensities

Peak intensity	Int. ratio in 120° cone	Int. ratio in 90° cone
1445 cd	91.9%	89.6%

Power

Power	Power factor	Power frequency
22.6 W	0.52	60 Hz

Nominal voltage	Voltage	Current
230 V	115 V	0.373 A

Beam intensities from 1-20m

1m	2m	3m	4m	5m	6m	7m	8m	9m	10m	11m	12m	13m	14m	15m	16m	17m	18m	19m	20m
3.3ft	6.6ft	9.8ft	13.1ft	16.4ft	19.7ft	23ft	26.2ft	29.5ft	32.8ft	36.1ft	39.4ft	42.7ft	45.9ft	49.2ft	52.5ft	55.8ft	59.1ft	62.3ft	65.6ft
1436lx	359lx	160lx	90lx	57lx	40lx	29lx	22lx	18lx	14lx	12lx	10lx	8lx	7lx	6lx	6lx	5lx	4lx	4lx	4lx
133.4fcd	33.4fcd	14.8fcd	8.3fcd	5.3fcd	3.7fcd	2.7fcd	2.1fcd	1.6fcd	1.3fcd	1.1fcd	0.9fcd	0.8fcd	0.7fcd	0.6fcd	0.5fcd	0.5fcd	0.4fcd	0.4fcd	0.3fcd



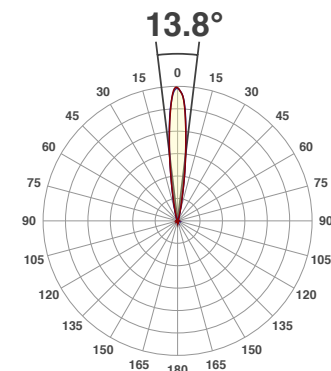
Light efficiency:



Light quality:



Color temperature:



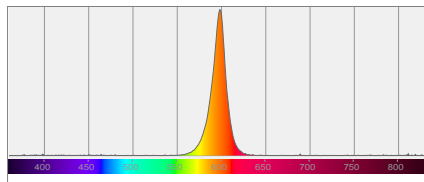
Product name:
MOD HEX100

Test:
Amber

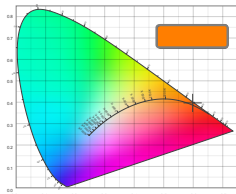
Date:
10/11/2017

Output: 132 lm Power consumption: 13.2 W Peak: 1394 cd

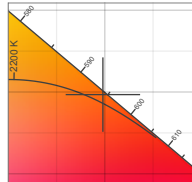
Spectral distribution



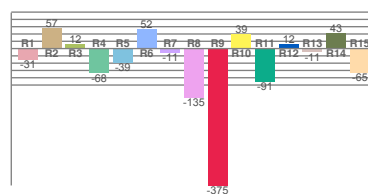
Color coordinates



Zoom color point

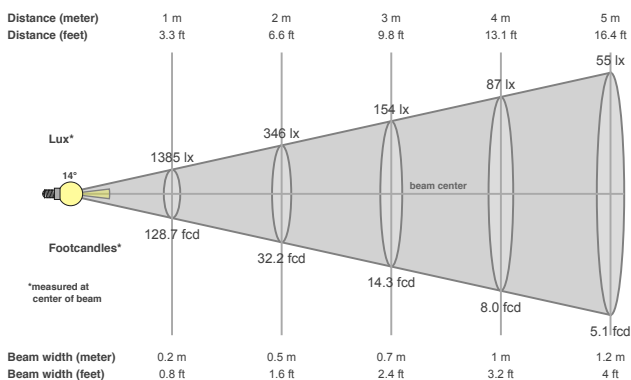


CRI R values



Color temperature	Color rendering index	Red component	Color fidelity	Color gamut	Color quality scale	Color coordinate cie 1931	Color coordinate cie 1931	Color coordinate	Color coordinate	Color divition from black body
CCT	CRI	CRI R9	TM30 Rf	TM30 Rg	CQS	x	y	u	v	Δuv
1456 K	-20.5	-375.4	4.6	16.3	1.6	0.598	0.397	0.364	0.363	0.0025

Beam details



Beam angles

Beam angle 50%	Field angle 10%	Cutoff angle 2,5%
13.8°	26.8°	42.7°

Beam intensities

Peak intensity	Int. ratio in 120° cone	Int. ratio in 90° cone
1394 cd	90.6%	88.6%

Power

Power	Power factor	Power frequency
13.2 W	0.5	60 Hz

Nominal voltage	Voltage	Current
230 V	115 V	0.231 A

Beam intensities from 1-20m

1m	2m	3m	4m	5m	6m	7m	8m	9m	10m	11m	12m	13m	14m	15m	16m	17m	18m	19m	20m
3.3ft	6.6ft	9.8ft	13.1ft	16.4ft	19.7ft	23ft	26.2ft	29.5ft	32.8ft	36.1ft	39.4ft	42.7ft	45.9ft	49.2ft	52.5ft	55.8ft	59.1ft	62.3ft	65.6ft
1385lx	346lx	154lx	87lx	55lx	38lx	28lx	22lx	17lx	14lx	11lx	10lx	8lx	7lx	6lx	5lx	5lx	4lx	4lx	3lx
128.7fcd	32.2fcd	14.3fcd	8fcd	5.1fcd	3.6fcd	2.6fcd	2fcd	1.6fcd	1.3fcd	1.1fcd	0.9fcd	0.8fcd	0.7fcd	0.6fcd	0.5fcd	0.4fcd	0.4fcd	0.4fcd	0.3fcd



Light efficiency:

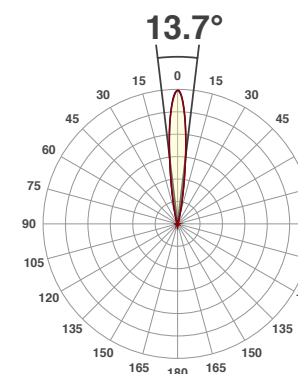
43 Lumen/Watt

Light quality:

CRI: 73.0

Color temperature:

7085 K



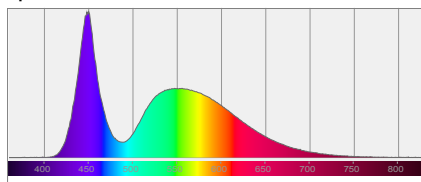
Product name:
MOD HEX100

Test:
White

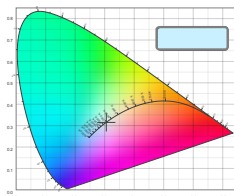
Date:
10/11/2017

Output: 920 lm Power consumption: 21.6 W Peak: 11135 cd

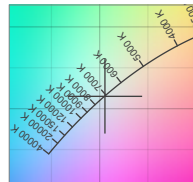
Spectral distribution



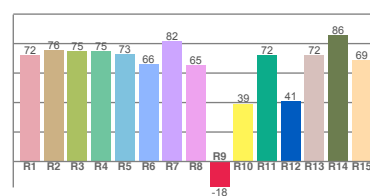
Color coordinates



Zoom color point

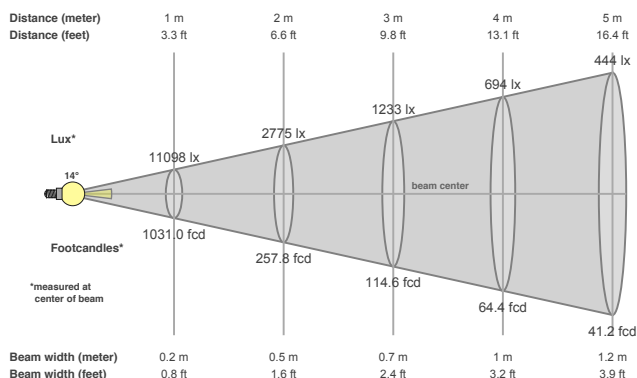


CRI R values



Color temperature	Color rendering index	Red component	Color fidelity	Color gamut	Color quality scale	Color coordinate cie 1931	Color coordinate cie 1931	Color coordinate	Color coordinate	Color deviation from black body
CCT	CRI	CRI R9	TM30 Rf	TM30 Rg	CQS	x	y	u	v	Δuv
7085 K	73.0	-17.6	68.8	94.0	69.1	0.305	0.315	0.198	0.306	0.0035

Beam details



Beam angles

Beam angle 50%	Field angle 10%	Cutoff angle 2,5%
13.7°	26°	41°

Beam intensities

Peak intensity	Int. ratio in 120° cone	Int. ratio in 90° cone
11135 cd	97.6%	96.3%

Power

Power	Power factor	Power frequency
21.6 W	0.53	59.9 Hz

Nominal voltage	Voltage	Current
230 V	115 V	0.352 A

Beam intensities from 1-20m

1m	2m	3m	4m	5m	6m	7m	8m	9m	10m	11m	12m	13m	14m	15m	16m	17m	18m	19m	20m
3.3ft	6.6ft	9.8ft	13.1ft	16.4ft	19.7ft	23ft	26.2ft	29.5ft	32.8ft	36.1ft	39.4ft	42.7ft	45.9ft	49.2ft	52.5ft	55.8ft	59.1ft	62.3ft	65.6ft
11098lx	2775lx	1233lx	694lx	444lx	308lx	226lx	173lx	137lx	111lx	92lx	77lx	66lx	57lx	49lx	43lx	38lx	34lx	31lx	28lx
1031fcd	257.8fcd	114.6fcd	64.4fcd	41.2fcd	28.6fcd	21fcd	16.1fcd	12.7fcd	10.3fcd	8.5fcd	7.2fcd	6.1fcd	5.3fcd	4.6fcd	4fcd	3.6fcd	3.2fcd	2.9fcd	2.6fcd



Light efficiency:

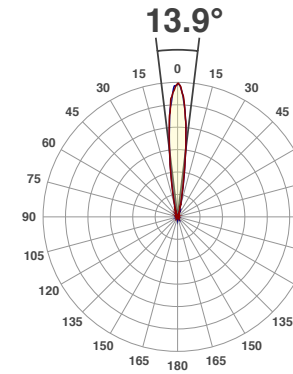
1 Lumen/Watt

Light quality:

CRI: 0.0

Color temperature:

0 K



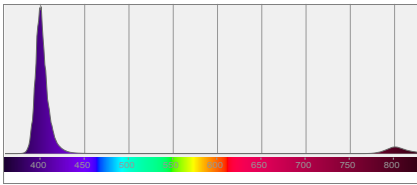
Product name:
MOD HEX100

Test:
UV

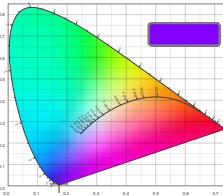
Date:
10/11/2017

Output: 24.8 lm Power consumption: 23.7 W Peak: 165 cd

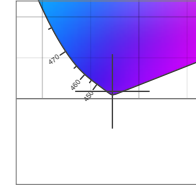
Spectral distribution



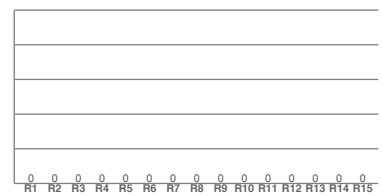
Color coordinates



Zoom color point

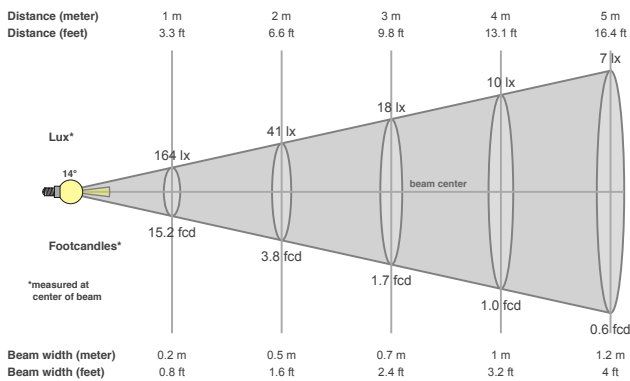


CRI R values



Color temperature	Color rendering index	Red component	Color fidelity	Color gamut	Color quality scale	Color coordinate cie 1931	Color coordinate cie 1931	Color coordinate	Color coordinate	Color divition from black body
CCT	CRI	CRI R9	TM30 Rf	TM30 Rg	CQS	x	y	u	v	Δuv
0 K	0.0	0.0	0.0	0.0	0.0	0.173	0.009	0.250	0.019	n/a

Beam details



Beam angels

Beam angle 50%	Field angle 10%	Cutoff angle 2,5%
13.9°	27°	45.3°

Beam intensities

Peak intensity	Int. ratio in 120° cone	Int. ratio in 90° cone
165 cd	65.6%	60.6%

Power

Power	Power factor	Power frequency
23.7 W	0.54	60 Hz

Nominal voltage	Voltage	Current
230 V	114 V	0.383 A

Beam intensities from 1-20m

1m	2m	3m	4m	5m	6m	7m	8m	9m	10m	11m	12m	13m	14m	15m	16m	17m	18m	19m	20m
3.3ft	6.6ft	9.8ft	13.1ft	16.4ft	19.7ft	23ft	26.2ft	29.5ft	32.8ft	36.1ft	39.4ft	42.7ft	45.9ft	49.2ft	52.5ft	55.8ft	59.1ft	62.3ft	65.6ft
164lx	41lx	18lx	10lx	7lx	5lx	3lx	3lx	2lx	2lx	1lx	1lx	1lx	1lx	1lx	1lx	1lx	1lx	0lx	0lx
15.2fcd	3.8fcd	1.7fcd	1fcd	0.6fcd	0.4fcd	0.3fcd	0.2fcd	0.2fcd	0.2fcd	0.1fcd	0.1fcd	0.1fcd	0.1fcd	0.1fcd	0.1fcd	0.1fcd	0fcd	0fcd	0fcd