



DESIGN WASH LED ZOOM WH™ SKU# DWZ056

The Design Wash LED Zoom WH™ is a high output pro grade zoom wash LED luminaire featuring (108) 3W Osram™ LEDs consisting of (40) Red, (28) Green, (30) Blue, and (10) White, producing 5,500 total lumens with 6° to 23° motorized zoom, 0-100% dimming, 1-18 fps strobe and pulse effect, RGBW color mixing and color macros, 16bit pan and tilt movement, 3pin and 5pin DMX in/out connections, flicker free operation for broadcast TV and FILM, (4) button control LCD menu display, 350W max power consumption, and a multi-voltage universal auto switching power supply (100-240v).



FEATURES

High Output Pro Grade Zoom Wash LED Luminaire

(108) 3W Osram™ LEDs (40) R, (28) G, (30) B, (10) W

5,500 Total Lumens

6° to 23° Motorized Zoom

0-100% Dimming

1-18 fps Strobe and Pulse Effect

RGBW Color Mixing and Color Macros

Flicker Free Operation for Broadcast TV and FILM



Specifications are subject to change without notice ©Elation Professional

Elation Professional USA | 6122 S. Eastern Ave. | Los Angeles, CA. 90040
323-582-3322 | 323-832-9142 fax | www.elationlighting.com | info@elationlighting.com

Elation Professional B.V. | Junostraat 2 | 6468 EW Kerkrade, Netherlands
+31 45 546 85 66 | +31 45 546 85 96 fax | www.elationlighting.eu | info@elationlighting.eu

PRODUCT SPECIFICATIONS

FEATURES

High Output Pro Grade Zoom Wash LED Luminaire
 6° - 23° Motorized Zoom
 5,500 Total Lumens
 RGBW Color Mixing and Color Macros
 Flicker Free Operation for Broadcast TV and FILM

SOURCE

(108) 3W Osram™ LEDs
 (40) Red, (28) Green, (30) Blue, and (10) White
 50,000 Hour Average LED Life

PHOTOMETRIC DATA

Distance @8.2 ft (2.5m)
 32,700 LUX 3,038 FC (6° Min Zoom Full ON)
 3,500 LUX 325 FC (23° Max Zoom Full ON)

EFFECTS

RGBW Color Mixing and Color Macros
 Dimming: 0% - 100%
 Strobe: 1-18fps

CONTROL / CONNECTIONS

(14) DMX Channels
 (4) Button Control Panel
 LCD Menu Display
 8 / 16 Bit Resolution Adjustable Movement
 3pin and 5pin DMX In/Out

SIZE / WEIGHT

Length: 13.4" (341mm)
 Width: 8.7" (220mm)
 Vertical Height: 17.5" (445)
 Weight: 21.0 lbs. (9.5 kg)

ELECTRICAL / THERMAL

AC 100-240V - 50/60Hz
 350W Max Power Consumption
 14°F to 113°F (-10°C to 45°C)

APPROVALS / RATINGS

CE | P20 |



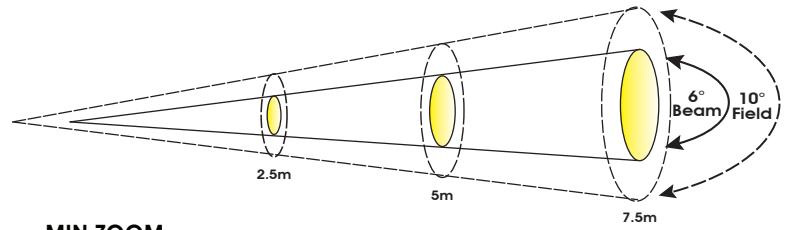
INSTALLATION

Rigging: Clamps (Not Included)
 Working Position: Flat Surface / Inverted (180°)

INCLUDED ITEMS

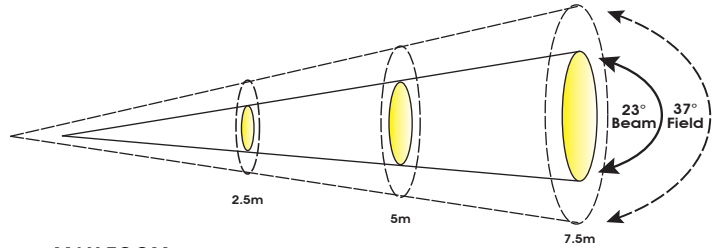
- (1) Omega Bracket
- (1) 3pin DMX Cable
- (1) Safety Cable

PHOTOMETRIC DATA



MIN ZOOM

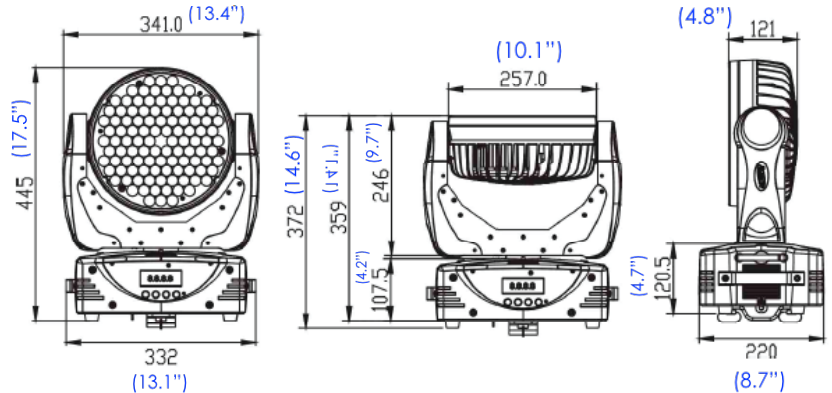
Distance	m	ft	m	ft	m	ft
2.5	2.5	8.2	5	16.4	7.5	24.6
6° Beam Diameter	0.28	0.9	0.56	1.8	0.84	2.8
10° Field Diameter	0.44	1.4	0.88	2.9	1.32	4.3
	lux	fc	lux	fc	lux	fc
FULL ON	32,700	3,038	10,150	943	4,310	400
RED LEDs	10,320	959	2,890	268	1,178	109
GREEN LEDs	16,780	1,559	4,643	431	2,024	188
BLUE LEDs	2,341	217	560	52	250	23
WHITE LEDs	9,090	844	2,476	230	1,081	100



MAX ZOOM

Distance	m	ft	m	ft	m	ft
2.5	2.5	8.2	5	16.4	7.5	24.6
6° Beam Diameter	1.00	3.3	2.00	6.6	3.00	9.8
10° Field Diameter	1.68	5.5	3.36	11.0	5.04	16.5
	lux	fc	lux	fc	lux	fc
FULL ON	3,500	325	916	85	445	41
RED LEDs	964	90	260	24	121	11
GREEN LEDs	1,720	160	425	39	213	20
BLUE LEDs	210	20	49	5	26	2
WHITE LEDs	858	80	217	20	106	10

DIMENSIONAL DIAGRAMS



OPTIONAL ACCESSORIES

ORDER CODE	ITEM
TRIGGER CLAMP	Heavy Duty Wrap Around Hook Style Clamp
ELO211	Eloader II™ Software Updater Box
EWDMSYSTEM	Wireless DMX System (1 Transmitter, 1 Receiver)
EWDMT	Wireless DMX Transmitter
EWDMR	Wireless DMX Receiver
AC3PDMX5PRO	5 ft. (1.5m) 3pin PRO DMX Cable
AC5PDMX5PRO	5 ft. (1.5m) 5pin PRO DMX Cable
	Additional cable lengths available

