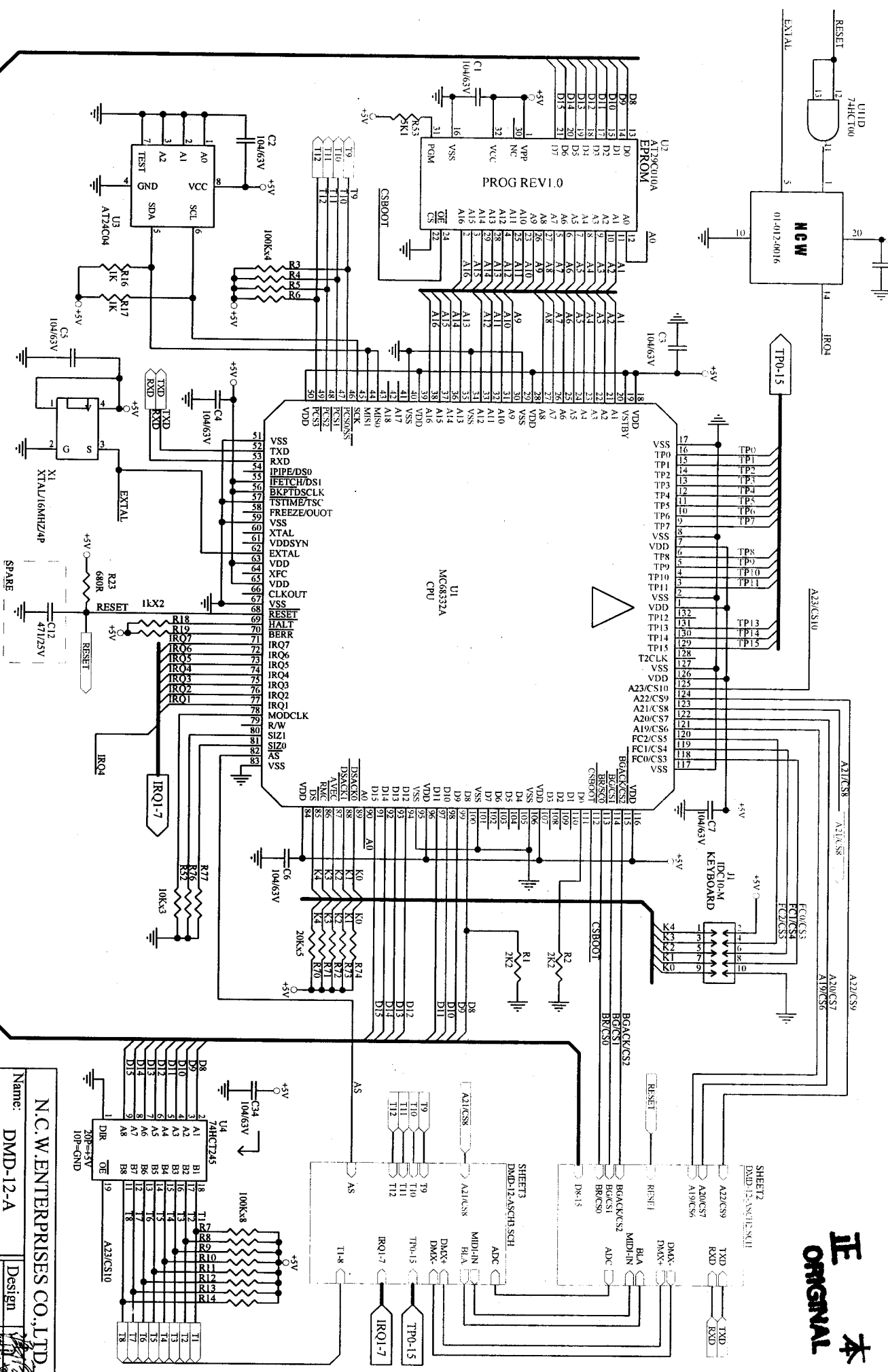
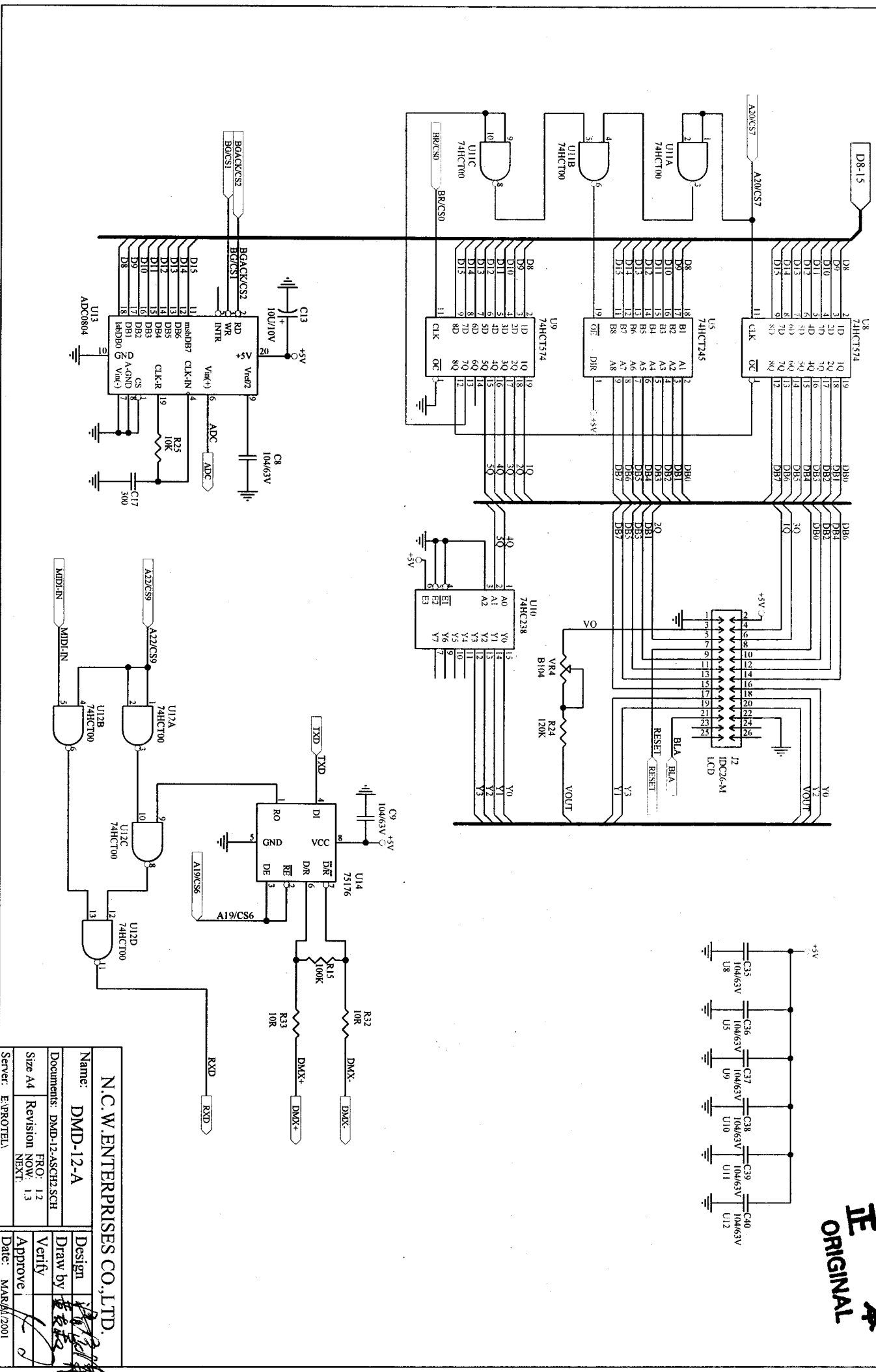


ORIGINAL



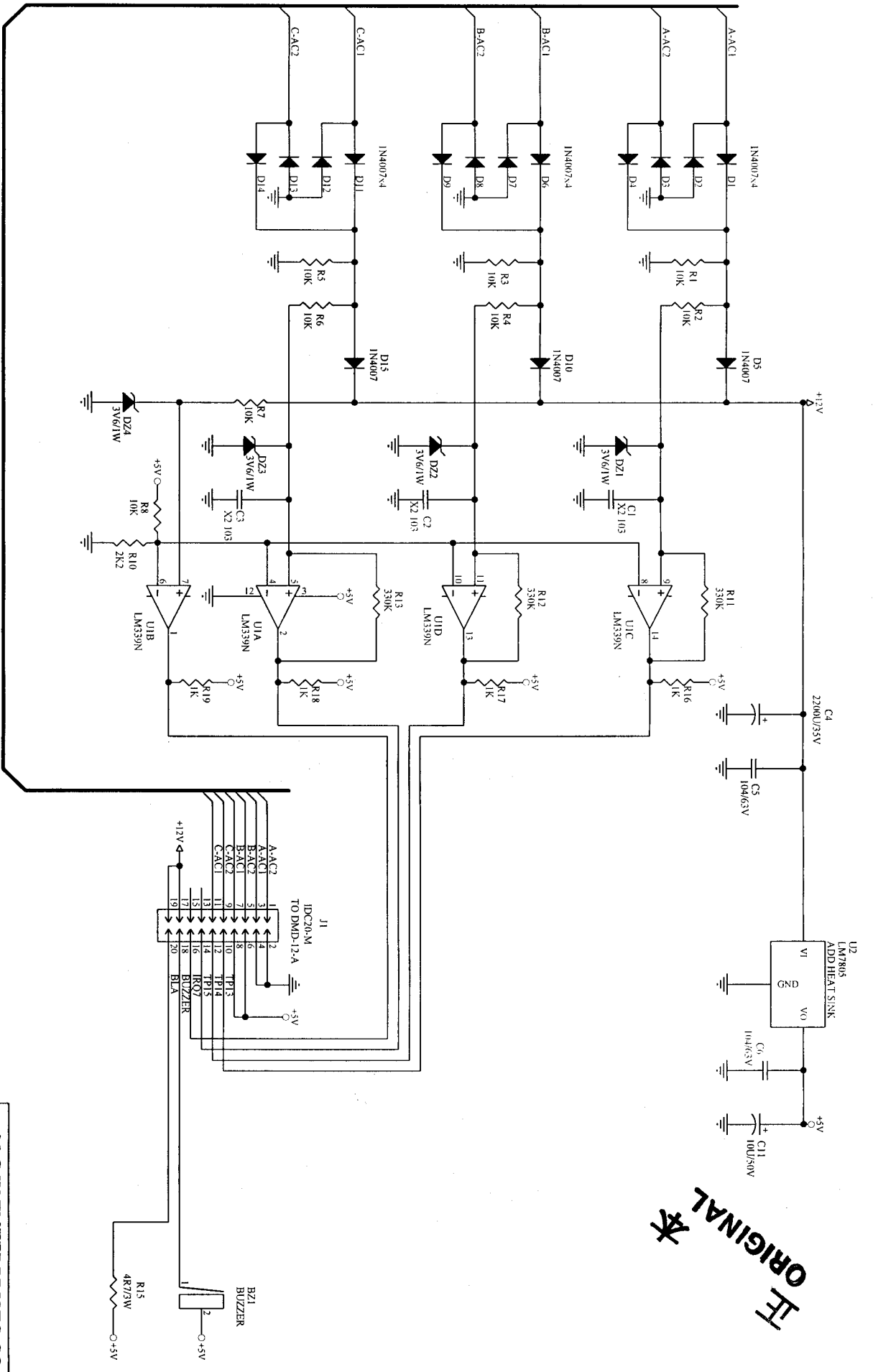
N.C.W. ENTERPRISES CO., LTD.	
Name: DMD-12-A	Design
Documents: DMD-12-A SCH	Draw by
Size A4	Verify
Revision 13	Approve
Next	Date: MAR 5/1990
Setter: EIPROTELA	

ORIGINAL



Name: DMD-12-A		Design	
Documents: DMD-12-ASCHZ.SCH		Draw by	
Size A4		Verify	
Revision NOW: 1.3		Approve	
NEXT:		Date: MAR/12/2001	
Server: E:\PROTEL			

N.C.W. ENTERPRISES CO., LTD.

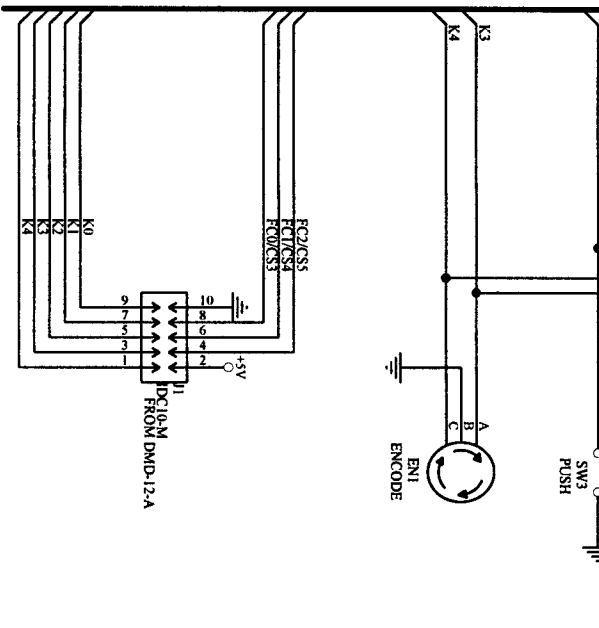
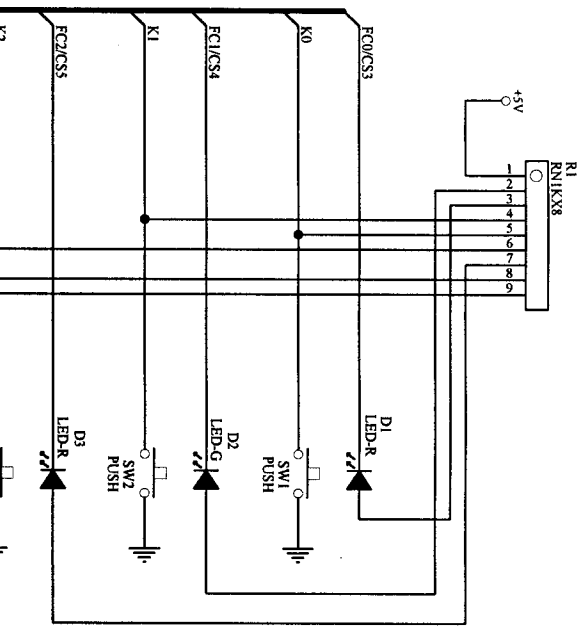


FF ORIGINAL

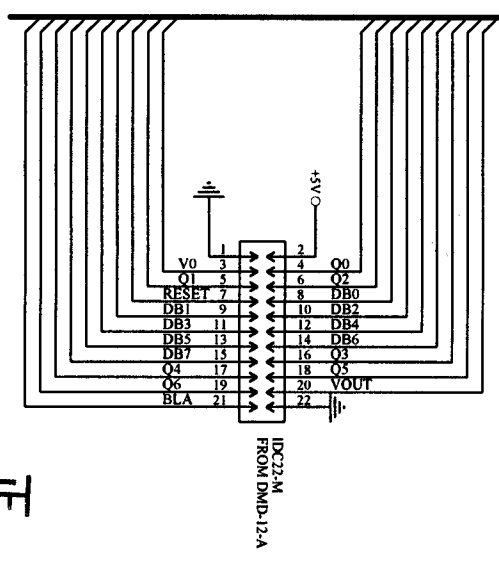
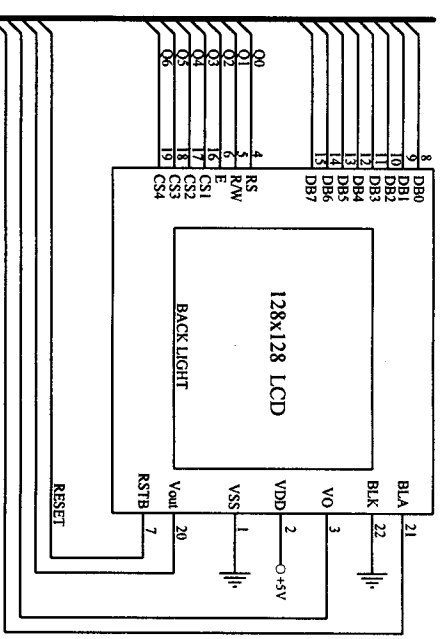
Name: DMD-12-C		Design	
Documents: DMD-12-C-SCH		Draw by	
Size A4	Revision NOW: 1.0	Verify	
Server: E:PROTEL	FRQ: NEXT	Approve	
Date: AUG/02/2000			

N.C.W. ENTERPRISES CO., LTD

LCD DISPLAY MODULE
MG128128



1	2	3	4	5	6	7	8	9	10	11	12	13	14	15	16	17	18	19	20	21	22
VSS	VDD	VO	RS	R/W	E	RSTB	DB0	DB1	DB2	DB3	DB4	DB5	DB6	DB7	CS1	CS2	CS3	CS4	Vout	BLA	BLK

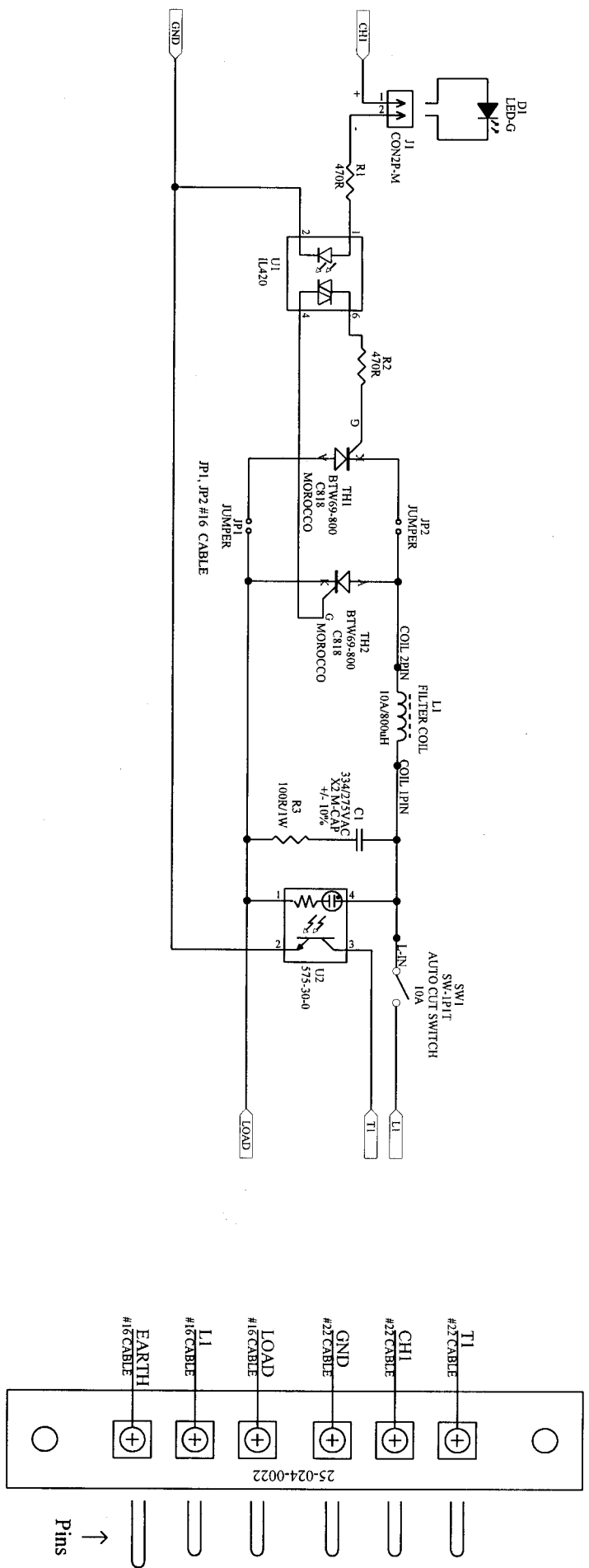


正本 ORIGINAL

N.C.W. ENTERPRISES CO., LTD.

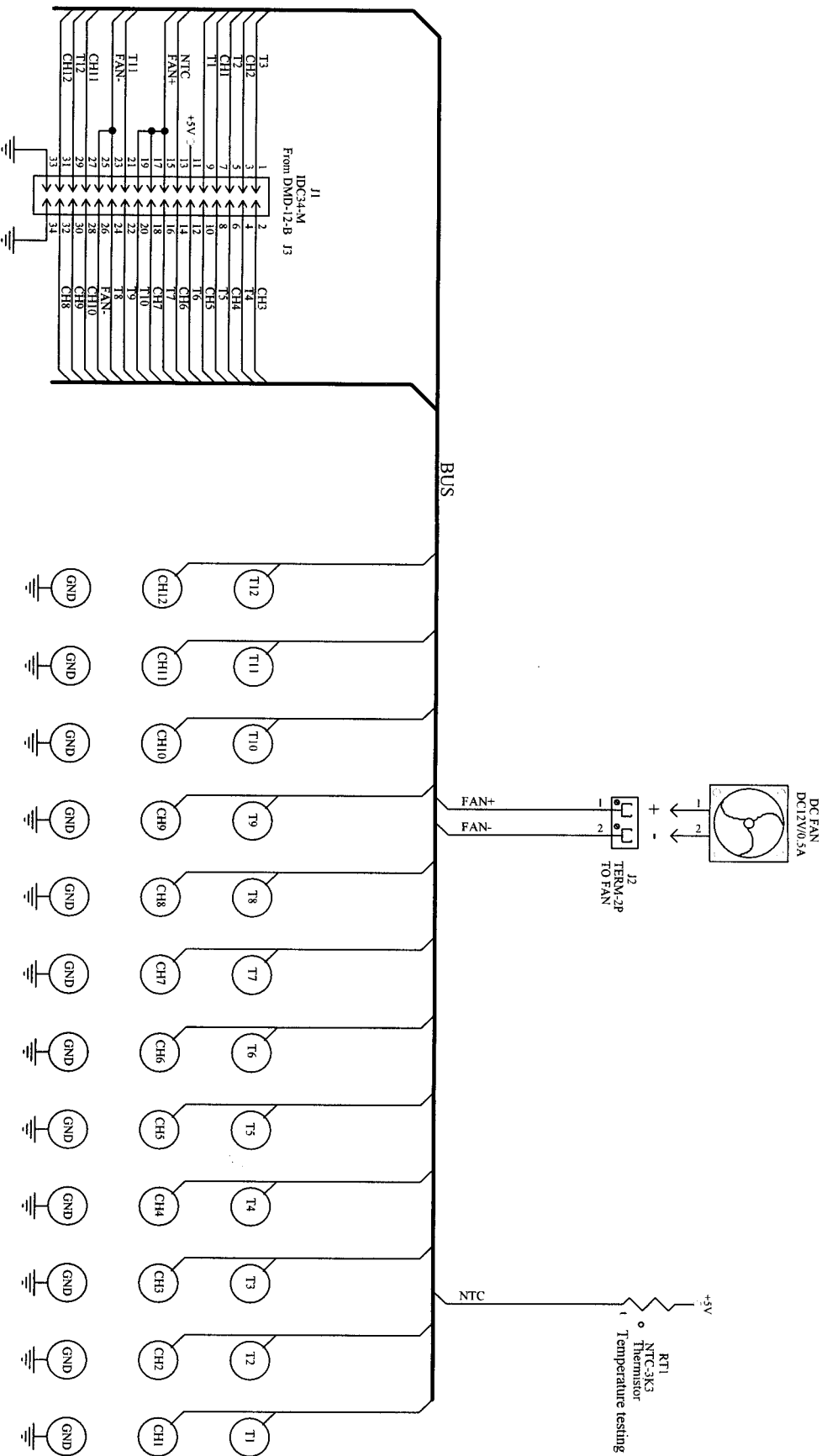
Name:	DMD-12-D	Design:	[Signature]
Documents:		Draw by:	[Signature]
Size A4	Revision NOW: 1.0	Verify:	[Signature]
Server: E:\PROTEL	FRONT NEXT:	Approve:	[Signature]
		Date:	MAY/20/2000

DMD-12 模組連線圖



正本 ORIGINAL

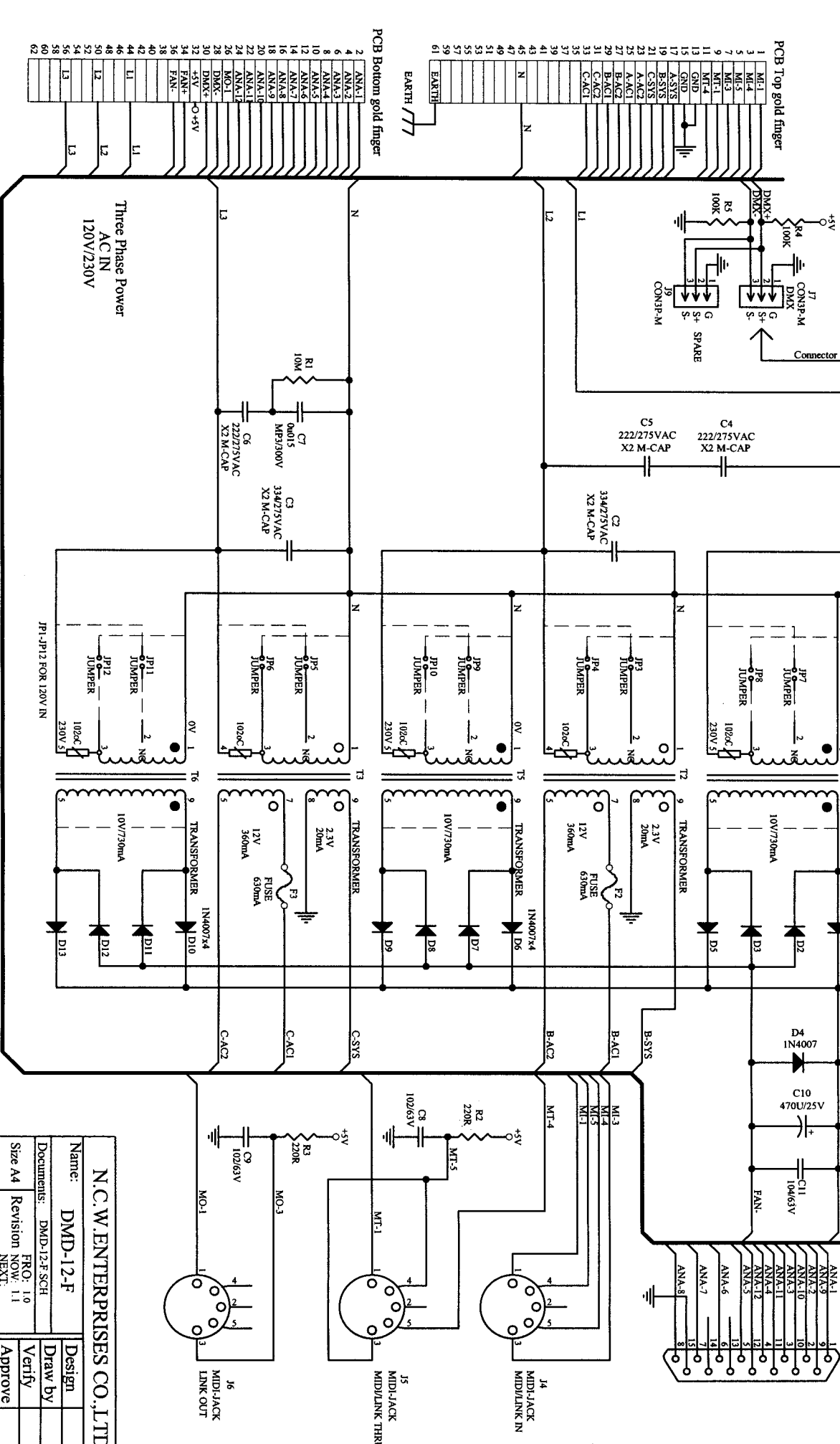
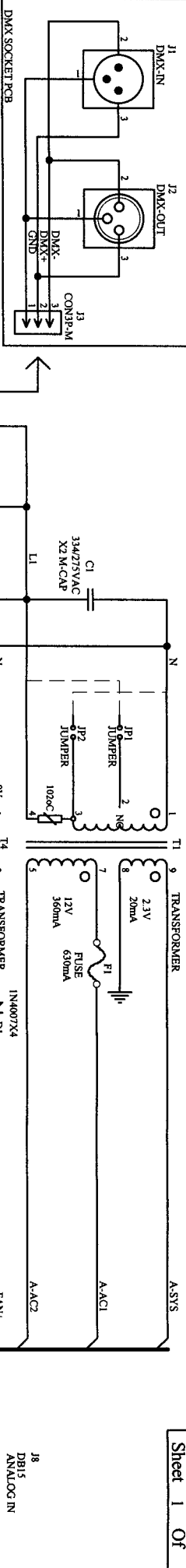
Name: DMD-12-E		Design: [Signature]	
Documents: [Signature]		Draw by: [Signature]	
Size A4	Revision NOW: 1.0	Verify	[Signature]
Server: E:\PROTEL\	FROM: NEXT:	Approve	[Signature]
		Date: MAY/18/2000	



正本
ORIGINAL

Name: DMD-12-G		Design	
Documents: DMD-12-G-SCH		Draw by	
Size A4	Revision NOW: 1.2	Verify	
Server: E:\PROTEL	Next:	Approve	
Date: NOV/02/2000			

N.C.W. ENTERPRISES CO., LTD



N.C.W. ENTERPRISES CO., LTD.

Name: **DMD-12-F**

Documents: DMD-12-F SCH

Size A4

Revision NOW: 1.1

Next:

Server: E:\PROTEL

Design	
Draw by	
Verify	
Approve	
Date:	DEC/21/2000