

ITK-640 Networked Door Controller Package

IT-640 Networked Door Controller



IT-650 Door Exciter Antenna with Cable



IT-660 Door Keypad With built-in sounder



ITK-640 Networked Door Controller Package:
IT-640, IT-650, and IT-660



IT-722 Patient Tag in-use

Product Description

The IT-640 Controller is at the center of CenTrak's Guardian™ Security System. The Controller generates an exciter field, which defines the door coverage. The Controller supports multiple alerts and alarms. For example, an exit alarm is generated when a tag enters the Controller's exciter field; if an exit alarm is detected, the Controller can activate a Maglock to hold the door securely shut. The Controller receives the transmitted ID of the transponder entering the field and stores the ID as well as its location in the Host PC activity log. Each Controller has a unique identity on the network and is assigned a name familiar to the facility staff (e.g. SW Nursery Exit). A convenient loiter alert can be enabled at closed doors to avoid nuisance alarms to the host PC. If the host PC goes down, the Controller will stand alone to operate door locks as usual. The Guardian system was engineered to work in tandem with CenTrak's Clinical-Grade RTLS, so it uniquely supports a wide variety of healthcare applications all with a single RFID tag.

Product Features

- Integration with CenTrak's Clinical-Grade RTLS™ & CenTrak's Guardian™ Security System
- **The most configurable access control security system available today:**
 - Able to associate tags to allow for unlocking exceptions (e.g., mother or nurse accompany infant to unlock door)
 - Each door can have its own profile and rules, so access can be configured and customized at an individual level
 - Individually controlled exciter fields, so each door can support multiple sized fields to support multiple environments and applications
 - System is completely software configurable, so it can be customized for a wide variety of applications
- Includes IT-660 Door Keypad with built-in sounder
- Includes IT 650 Door Exciter Antenna with Cable
- Local PIN code database that duplicates master database on host PC (Note: Controller will not allow PIN code support without compatible configuration software)
- Visual indicators for power, communication link and receive channel status
- Exciter antenna and keypad disconnect tamper alarm
- Door ajar tamper alarm support on compatible contact

CenTrak, Inc.
125 Pheasant Run
Newtown, PA 18940
t: 215-860-2928 e: marketing@centrak.com
w: www.centrak.com

ITK-640 Networked Door Controller Package

Technical Specifications

Operation

RF Frequency	902-928 MHz
Low Frequency (for Egress detection)	125 KHz
Ethernet Communication to Server	Yes
Door Ajar Detection	Yes
Access Keypad	Keypad Input, supports up to 2
Maglock	Supports up to 2
Exciter Antenna Coil	Supports up to 2
Regulatory Approvals	Power Supply UL listed FCC Part 15 compliant

Controller Dimensions

Controller Length	10.7 in (27.25 cm)
Controller Height	2.5 in (6.5 cm)
Controller Width	8.5 in (21.5 cm)
Weight	4.2 lb (1.90 kg)

Environmental/Cleaning

Operating Temperature	+32° to +131°F (0° to +55°C)
Storage Temperature	-22° to +140°F (-30° to +60°C)

Power

Input Voltage	24 VDC @ 1A
Output Voltage (aux)	12 VDC @ 1A

IT-640 Networked Door Controller



IT-650 Door Exciter Antenna with Cable



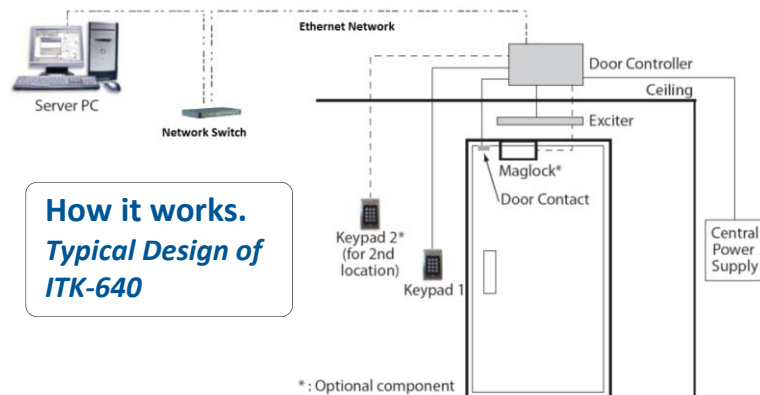
IT-660 Door Keypad With built-in sounder



ITK-640 Networked Door Controller Package:
IT-640, IT-650, and IT-660



IT-722 Patient Tag in-use



This component complies with part 15 of the FCC Rules. Operation is subject to the following two conditions: 1) The device may not cause harmful interference, and 2) this device must accept any interference received, including interference that may cause undesired operation. Modifying or tampering with the transceiver's or receiver's internal components can cause a malfunction, invalidate the warranty, and will void FCC authorization to use these products. This product or its systems are covered by one or more of the following U.S. patents: 5,917,425, 7,061,428, 7,378,964, 7,619,532.

L' utilisation de ce dispositif est autorisée seulement aux conditions suivantes : (1) il ne doit pas produire de brouillage et (2) l' utilisateur du dispositif doit être prêt à accepter tout brouillage radioélectrique reçu, même si ce brouillage est susceptible de compromettre le fonctionnement du dispositif.

CenTrak, Inc.
125 Pheasant Run
Newtown, PA 18940
t: 215-860-2928 e: marketing@centrak.com
w: www.centrak.com