

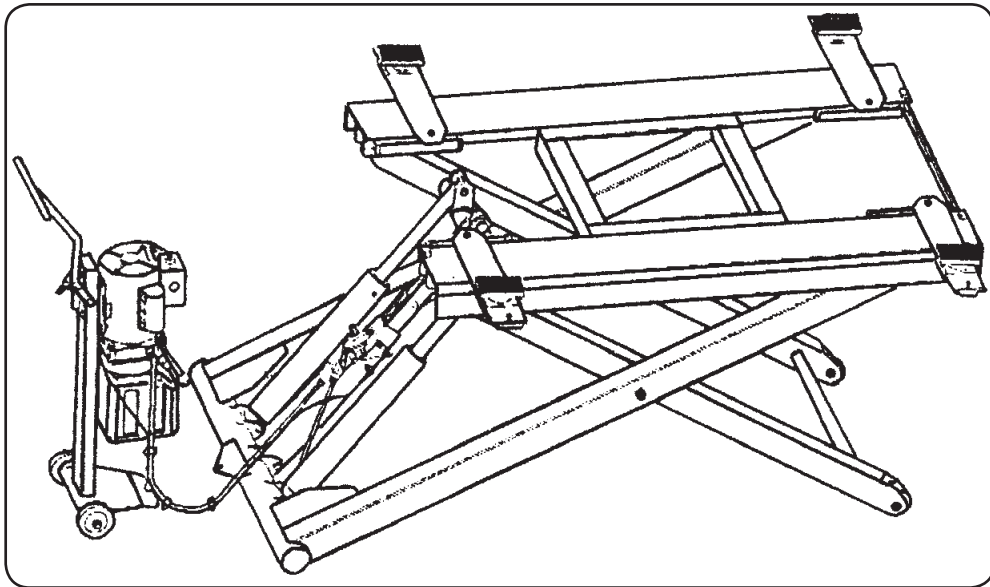


SCISSOR LIFT

6,000 LBS. CAPACITY - 48" HEIGHT

Model 91315

SET UP AND OPERATING INSTRUCTIONS



Diagrams within this manual may not be drawn proportionally.

Due to continuing improvements, actual product may differ slightly from the product described herein.

Distributed exclusively by Harbor Freight Tools®.

3491 Mission Oaks Blvd., Camarillo, CA 93011

Visit our website at: <http://www.harborfreight.com>



**Read this material before using this product.
Failure to do so can result in serious injury.
SAVE THIS MANUAL.**

Copyright© 2004 by Harbor Freight Tools®. All rights reserved. No portion of this manual or any artwork contained herein may be reproduced in any shape or form without the express written consent of Harbor Freight Tools.

For technical questions or replacement parts, please call 1-800-444-3353.

Revised 06k, 07j

SPECIFICATIONS

Electrical Requirements	220V / 50-60 Hz, 12 FLA / Duty Cycle: 5 min, 2 HP / Single Phase, Dedicated 20A circuit required Requires a single phase, 3-prong 250V/20A (NEMA L6-20P) power plug (not included).
Maximum Lifting Capacity	6000 Pounds (48" Mid-Rise Scissor Lift)
Minimum Lift Height	7" At Pads
Maximum Lift Height	4 $\frac{1}{2}$ ' At Pads
Overall Dimensions	99 $\frac{3}{4}$ " L x 39 $\frac{1}{2}$ " W x 7" H (Fully Lowered)
Piston Rod Travel	20 $\frac{1}{2}$ "
Pump Type	Hydraulic/Electro w/Steel Dolly
Pump Hydraulic Oil Capacity/Type	6.5 Quarts ISO VG 32 Hydraulic Oil (Extreme temperature conditions may require an oil with a different viscosity – consult a qualified technician.)
Weight	849 Pounds

UNPACKING

When unpacking, check to make sure all the parts shown on the **Parts Lists on pages 17, 18, and 19** are included. If any parts are missing or broken, please call Harbor Freight Tools at the number shown on the cover of this manual as soon as possible.

SAVE THIS MANUAL

You will need this manual for the safety warnings and precautions, assembly, operating, inspection, maintenance and cleaning procedures, parts list and assembly diagram. Keep your invoice with this manual. Write the invoice number on the inside of the front cover. Keep this manual and invoice in a safe and dry place for future reference.

GENERAL SAFETY RULES



WARNING! Read all instructions

Failure to follow all instructions listed below may result in electric shock, fire, and/or serious injury. The term "power tool" in all of the warnings listed below refers to your line-operated (corded) power tool or battery-operated (cordless) power tool.

SAVE THESE INSTRUCTIONS

WORK AREA

1. **Keep your work area clean and well lit.** Cluttered benches and dark areas invite accidents.
2. **Do not operate power equipment in explosive atmospheres, such as in the presence of flammable liquids, gases, or dust.** Power equipment can create sparks which may ignite flammables.
3. **Keep bystanders, children, and visitors away while operating power equipment.** Distractions can cause you to lose control.

PERSONAL SAFETY

1. **Stay alert. Watch what you are doing, and use common sense when operating power equipment. Do not use power equipment while tired or under the influence of drugs, alcohol, or medication.** A moment of inattention while operating power equipment may result in serious personal injury.



2. **RISK OF ENTANGLEMENT! Dress properly. Do not wear loose clothing or jewelry. Contain long hair. Keep your hair, clothing, and gloves away from moving parts.** Loose clothes, jewelry, or long hair can be caught in moving parts.
3. **Avoid accidental starting. Be sure the Power Switch is off before plugging in.** Plugging in power equipment with the Power Switch on invites accidents.
4. **Remove adjusting keys or wrenches before turning on power equipment.** A wrench or a key that is left attached to a moving part of power equipment may result in personal injury.
5. **Do not overreach. Keep proper footing and balance at all times.** Proper footing and balance enables better control of the power equipment in unexpected situations.
6. **Use safety equipment. Always wear ANSI approved safety impact eye goggles underneath a full face shield.**

TOOL USE AND CARE

1. **Use clamps (not included) or other practical ways to secure and support the workpiece to a stable platform.** Holding the work by hand or against your body is unstable and may lead to loss of control.
2. **Do not force power equipment. Use the correct equipment for your application.** The correct equipment will do the job better and safer at the rate for which it is designed.


3. **Do not use power equipment if the Power Switch does not turn it on or off.** Any equipment that cannot be controlled with the Power Switch is dangerous and must be repaired or replaced.
4. **Disconnect the Power Cord Plug from the power source before making any adjustments, changing accessories, or storing the power equipment.** Such preventive safety measures reduce the risk of starting the equipment accidentally.
5. **Store idle equipment out of reach of children and other untrained persons.** Power equipment is dangerous in the hands of untrained users.
6. **Maintain power equipment with care.** Properly maintained equipment are less likely to fail and are easier to control. Do not use damaged power equipment. Tag damaged power equipment "Do not use" until repaired.
7. **Check for misalignment or binding of moving parts, breakage of parts, and any other condition that may affect the power equipment's operation. If damaged, have the equipment serviced before using.** Many accidents are caused by poorly maintained power equipment.
8. **Use only accessories that are recommended by the manufacturer for your model.** Accessories that may be suitable for one power equipment may become hazardous when used on another power equipment.

SERVICE

1. **Tool service must be performed only by qualified repair personnel.** Service or maintenance performed by unqualified personnel could result in a risk of injury.
2. **When servicing a tool, use only identical replacement parts. Follow instructions in the "Inspection, Maintenance, And Cleaning" section of this manual.** Use of unauthorized parts or failure to follow maintenance instructions may create a risk of electric shock or injury.

ELECTRICAL SAFETY

1. **Grounded tools must be plugged into an outlet properly installed and grounded in accordance with all codes and ordinances. Never remove the grounding prong or modify the plug in any way. Do not use any adapter plugs. Check with a qualified electrician if you are in doubt as to whether the outlet is properly grounded.** If the tools should electrically malfunction or break down, grounding provides a low resistance path to carry electricity away from the user.
2. **Double insulated tools are equipped with a polarized plug (one blade is wider than the other). This plug will fit in a polarized outlet only one way.**

If the plug does not fit fully in the outlet, reverse the plug. If it still does not fit, contact a qualified electrician to install a polarized outlet. Do not change the plug in any way. Double insulation  eliminates the need for the three wire grounded power cord and grounded power supply system.

3. **Avoid body contact with grounded surfaces such as pipes, radiators, ranges, and refrigerators.** There is an increased risk of electric shock if your body is grounded.
4. **Do not expose power tools to rain or wet conditions.** Water entering a power tool will increase the risk of electric shock.
5. **Do not abuse the Power Cord. Never use the Power Cord to carry the tools or pull the Plug from an outlet. Keep the Power Cord away from heat, oil, sharp edges, or moving parts. Replace damaged Power Cords immediately.** Damaged Power Cords increase the risk of electric shock.
6. **When operating a power tool outside, use an outdoor extension cord marked “W-A” or “W”.** These extension cords are rated for outdoor use, and reduce the risk of electric shock.




⚠WARNING!



IMPORTANT! A 220V / 50-60 Hz, 12 FLA / Duty Cycle: 5 min, 2 HP / Single Phase, Dedicated 20A circuit is required. It also requires a single phase, 3-prong 250V/20A (NEMA L6-20P) power plug (not included).

THIS WIRING PROCEDURE MUST ONLY BE DONE BY A QUALIFIED, CERTIFIED ELECTRICIAN!

Symbology

	Double Insulated	$V \sim$	Volts Alternating Current
	Canadian Standards Association	A	Amperes
	Underwriters Laboratories, Inc.	n_0 xxxx/min.	No Load Revolutions per Minute (RPM)

SPECIFIC SAFETY RULES

1. **⚠DANGER!** Make sure you know the weight of the vehicle you are going to lift *before* using the Scissor Lift. Do not exceed the maximum lift capacity (6,000 pounds at 48” elevation) for the Scissor Lift. Overloading the Scissor Lift could cause personal injury and/or property damage. Be aware of

dynamic loading! If a weight suddenly falls onto the Scissor Lift, it may create for a brief instant an excess load which may result in personal injury and/or damage to the vehicle and Scissor Lift.

2. **Use the Scissor Lift only in well ventilated areas.** Carbon monoxide exhausted from running vehicle engines is a colorless, odorless fume that, if inhaled, can cause serious personal injury or death.
3. **Maintain labels and nameplates on the Scissor Lift.** These carry important information. If unreadable or missing, contact Harbor Freight Tools for a replacement. There is a WARNING label attached to the Scissor Lift. Read and fully understand the contents of the WARNING label. Do not remove the warning label from the Scissor Lift.
4. **Make sure to read and understand all instructions and safety precautions as outlined in the manufacturer's manual for the vehicle you are lifting.** All four Rubber Saddles (39B) of the Scissor Lift must be used when lifting a vehicle. Always use the manufacturer's recommended lifting points.
5. **Do not use the Scissor Lift on any asphalt surface.** Make sure the Scissor Lift is used on a dry, oil/grease free, flat, level, **CONCRETE** surface capable of supporting the weight of the Scissor Lift, the vehicle being lifted, and any additional tools and equipment. The concrete floor surface should have a minimum thickness of 5". The concrete must have a minimum strength of 4,000 PSI, and should be aged at least 30 days prior to use. Do not use the Scissor Lift on concrete expansion seams or on cracked, defective concrete.
6. **Always examine the Scissor Lift for structural cracks, bends, damage to the hydraulic hoses and electrical wiring, and any other condition that may affect the safe operation of the Lift.** Do not use the Scissor Lift even if minor damage is detected.
7. **IMPORTANT! Operation (raising or lowering) of the Scissor Lift can be immediately stopped at any time by releasing pressure on the Power Switch located on the Motor (1A).**
8. **Make sure the Oil Tank (13A) is completely filled (approx. 6.5 quarts) with a premium quality hydraulic oil prior to operating the Scissor Lift.**
9. **Always allow at least two seconds after the Motor (1A) starts to raise or lower the Scissor Lift.** Failure to do so may cause the Motor to burn out.
10. **Prior to beginning a job, make sure the Safety Lock Assembly (36B) and its Safety Catches are in the proper position.** NEVER work underneath a vehicle without using additional safety support devices (i.e., jack stands) to support the vehicle.

11. **Always keep hands, fingers, and feet away from the moving parts of the Scissor Lift when applying or releasing a load.** Remain clear of the Scissor Lift when raising or lowering a vehicle.
12. **Use extreme caution when applying or releasing a load.** Never allow the load to suddenly release. Slowly and carefully apply and release the load.
13. **Never leave the Scissor Lift unattended when the Lift is under a load.** Whenever the Scissor Lift is under a load there is a very large amount of force that has been stored in the Outside/Inside Scissors (24B, 25B) which must be controlled until the load is relaxed.
14. **Before driving a vehicle onto the Scissor Lift make sure the Lift is fully lowered.** Before driving a vehicle onto the Scissor Lift, position the Plates (42B) and Rubber Saddles (39B) inward. Do not hit or run over the Plates and Rubber Saddles, as this could damage the vehicle. Make sure the Scissor Lift is fully lowered before driving the vehicle off.
15. **Should any weight component be removed from, or added to the vehicle, use a jack stand (not included) to support the over balanced end during the maintenance procedure.** Do not operate the Scissor Lift if the vehicle load tilts or binds during the up or down movement. Always position the vehicle with the center of gravity midway between the Rubber Saddles (39B). Avoid excessive rocking of the vehicle while it is in its raised position.
16. **Never lift a vehicle with anyone inside it.** Do not allow others in the lift area while operating the Scissor Lift. Do not allow anyone to ride on the Scissor Lift while it is being raised or lowered.
17. **When lifting a vehicle raise the Rubber Saddles (39B) slowly until the Rubber Saddles securely contact the vehicle manufacturer's recommended lifting points.** Then, lift the vehicle to the desired working height. ALWAYS lift the vehicle high enough for the Safety Lock Assembly (36B) to operate properly.
18. **Do not use the Scissor Lift as a permanent stand for a vehicle.** Use the Scissor Lift only while making repairs. Then, immediately remove the vehicle from the Scissor Lift.
19. **Before lowering the Scissor Lift, make sure tool trays, stands, and all other tools and equipment are removed from under the vehicle.**
20. **Make sure to squeeze and hold in on the Brake Lever (13B) before attempting to lower the vehicle.** Do not release pressure on the Brake Lever until the Scissor Lift is completely lowered.
21. **Before removing a vehicle from the Scissor Lift make sure the Plates (42B) and Rubber Saddles (39B) are moved inward to provide an unobstructed exit.**

22. People with pacemakers should consult their physician(s) before use. Electromagnetic fields in close proximity to heart pacemaker could cause pacemaker interference or pacemaker failure.
23. This product contains or produces a chemical known to the State of California to cause cancer and birth defects (or other reproductive harm). (California Health & Safety Code § 25249.5, *et seq.*)

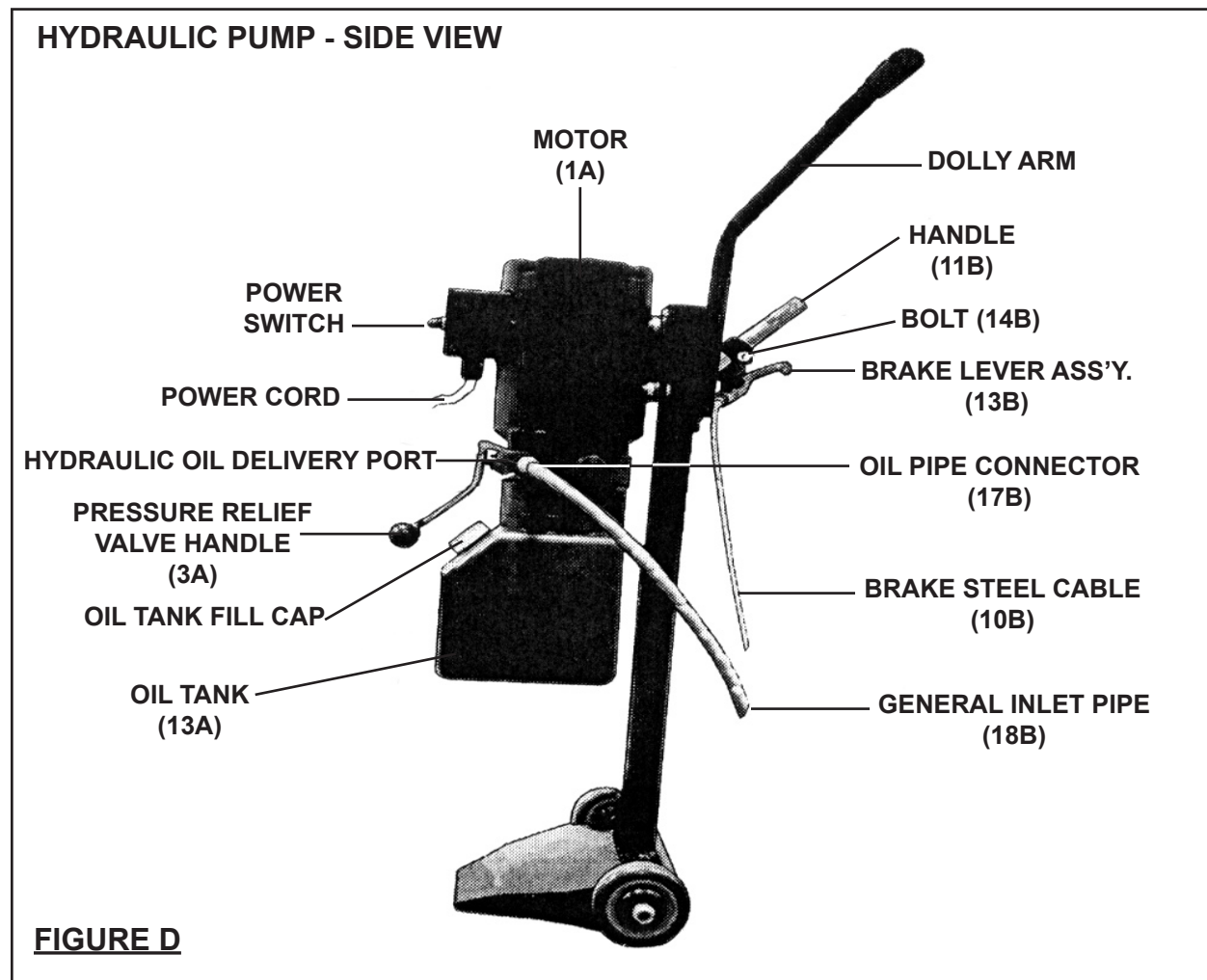
ASSEMBLY INSTRUCTIONS

Note: For additional references to the parts listed in the following pages, refer to the **Assembly Diagrams on pages 17, 18, and 19.**

Determine The Proper Scissor Lift Location:

1. **Do not use the Scissor Lift on any asphalt surface.** Make sure the Scissor Lift is used on a dry, oil/grease free, flat, level, **CONCRETE** surface capable of supporting the weight of the Scissor Lift, the vehicle being lifted, and any additional tools and equipment. The concrete floor surface should have a minimum thickness of 5". The concrete must have a minimum strength of 4,000 PSI, and should be aged at least 30 days prior to use. Do not use the Scissor Lift on concrete expansion seams or on cracked, defective concrete.
2. Make sure to check the desired location for possible obstructions such as a low ceiling, overhead lines, adequate working area, access ways, exits, etcetera.
3. Make sure to allow a minimum space of 14 feet in front and behind the Scissor Lift to accommodate all vehicles. Certain allowances should be made for special vehicle requirements or unusual floor plans.

To Attach The Hydraulic Pump To The Scissor Lift:



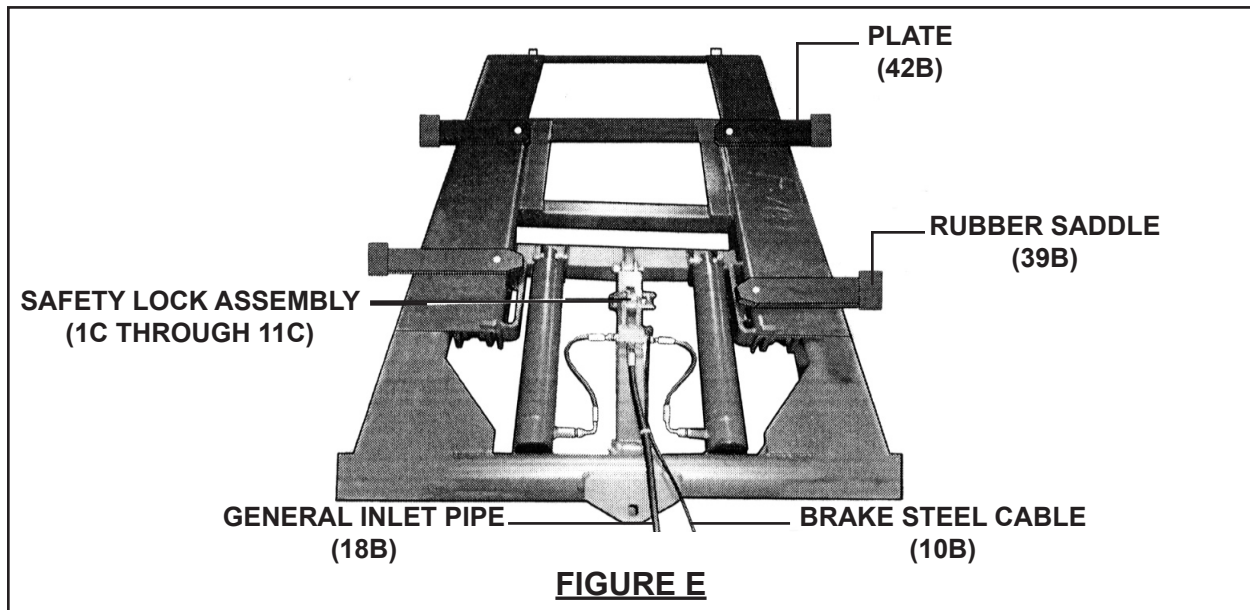
1. Locate the Hydraulic Pump unit (1A through 15A) in an area where it will be out of the way, is safe from damage and weather, and where it can be easily reached to operate. **(See Figure D.)**
2. One end of the General Inlet Pipe (18B) has been pre-attached to the Scissor Lift by the manufacturer. To attach the remaining end of the General Inlet Pipe to the Hydraulic Pump wrap the male threads of the Oil Pipe Connector (17B) with about 4" of pipe thread seal tape (not included). Remove the Oil Filler Nut Cap (4A) from the threaded Hydraulic Oil Delivery Port. Then, wrench tighten the Oil Pipe Connector into the Hydraulic Oil Delivery Port. **(See Figure D.)**
3. One end of the Brake Steel Cable (10B) has been pre-attached to the Scissor Lift by the manufacturer. The Brake Lever Assembly (13B) is located on the remaining end of the Brake Steel Cable, and must be attached to the Handle (11B) of the Dolly. To do so, slide the Brake Lever Assembly onto the Handle. Then, secure the Brake Lever Assembly to the Handle by tightening the Bolt (14B). **(See Figure D.)**

To Fill The Oil Tank With Hydraulic Oil:

The hydraulic Oil Tank (13A) has a holding capacity of 6.5 quarts. To fill the Oil Tank, squeeze and hold the Brake Lever (13B) to release any load on the Scissor Lift. Remove the Oil Tank Fill Cap on the Oil Tank. Add a premium quality hydraulic oil until the level of the oil is even with the Oil Tank's fill hole. Then, replace the Oil Tank Fill Cap. **(See Figure D.)** Before the first use and before all subsequent uses, check the hydraulic oil tank to make sure the Oil Tank is properly filled.

OPERATING INSTRUCTIONS

Check The Safety Lock Assembly:



1. **⚠WARNING!** Never operate the Scissor Lift if the Safety Lock Assembly (1C through 11C) is not working properly. (See Figure E.)
2. Insert the Power Plug (not included) of the Lift into a properly grounded, 3-hole, 220 volt electrical receptacle, and allow several seconds for the Motor (1A) to warm up. **(See Figure D.)**
3. Squeeze and release the Brake Lever (13B) several times and, while doing so, observe that the Safety Lock Assembly (1C through 11C) operates properly in

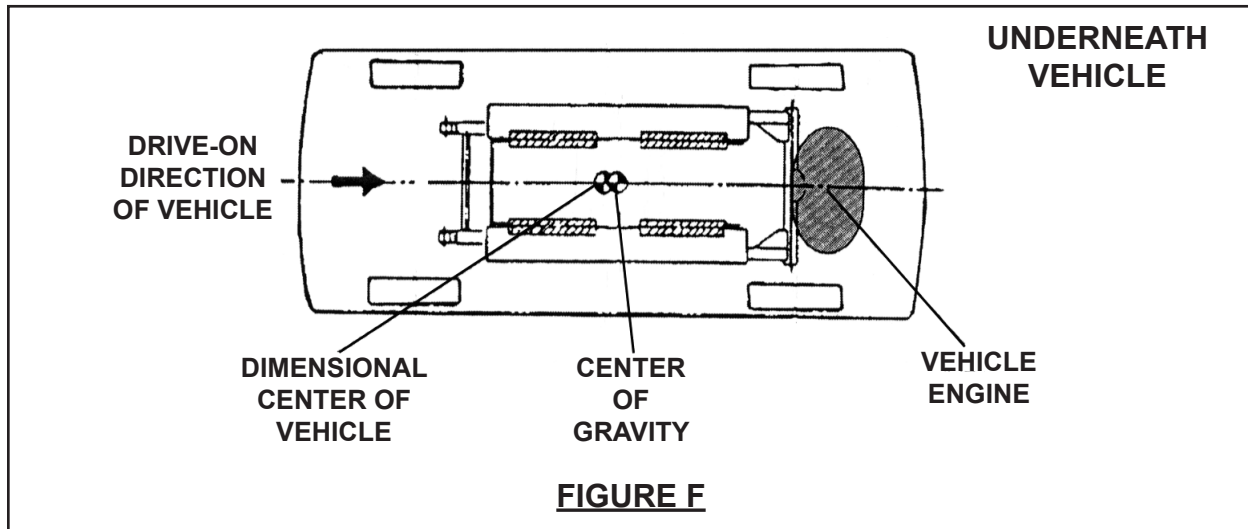
response to the Brake Lever. Then, release pressure on the Brake Lever.
(See Figures D and E.)

4. Press on the Power Switch and hold, and observe that the Safety Lock Assembly (1C through 11C) “clicks” into place as the Scissor Lift rises. **NOTE:** There are *safety catches* on the Safety Lock Assembly as the Scissor Lift rises. Once the Safety Lock Assembly locks into each of these safety catches, you must *squeeze and hold in* on the Brake Lever (13B) to lower the Scissor Lift.
(See Figures D and E.)
5. Once the Scissor Lift is fully elevated, release pressure on the Power Switch.
(See Figure D.)
6. Without squeezing the Brake Lever (13B), press in on the Pressure Relief Valve Handle (3A) and hold. Observe that the Scissor Lift will not lower, as the Safety Lock Assembly (1C through 11C) is engaged. **CAUTION! If the Safety Lock Assembly does not engage, fully lower the Scissor Lift and have a qualified service technician immediately repair the Safety Lock Assembly.**
(See Figures D and E.)
7. Should the Safety Lock Assembly (1C through 11C) *not* operate as described in Step #6, raise the Scissor Lift slightly to take pressure off the safety catches. Then, while squeezing the Brake Lever (13B) lower the Scissor Lift fully to the floor.

Note: When working properly, you must BOTH squeeze in and hold the Brake Lever and press in and hold the Pressure Relief Valve Handle (3A) to lower the Scissor Lift. **(See Figure D.)**

To Position, Lift, And Lower A Vehicle On The Scissor Lift:

1. Before driving a vehicle onto the Scissor Lift make sure that the Lift is fully lowered, and position the Plates (42B) and Rubber Saddles (39B) *inward*.
(See Figure E.)



2. Drive the vehicle over the Scissor Lift while keeping the vehicle parallel with the Lift and aligning the center of gravity of the vehicle with the center of the Lift. **NOTE:** The “Center of Gravity” (COG) of the vehicle is the balance point at which there is equal weight in front of and behind the COG, and equal weight on both sides of the COG. The COG is not necessarily the dimensional center of the vehicle, but is often slightly toward the engine from the dimensional center of the vehicle. (See Figure F.)
3. Turn off the vehicle’s engine and engage the parking brake of the vehicle.
4. Read the vehicle owner’s manual to identify the recommended vehicle lifting points.
5. Move the Plates (42B) outward, and position the Rubber Saddles (39B) to contact the vehicle lifting points. (See Figures E and F.)
6. **⚠WARNING!** Do not lift the vehicle if you cannot establish secure and level lifting points. Do not use substandard shims or other devices in place of approved and recommended Rubber Saddle (39B) adapters. Never use the Scissor Lift without the Rubber Saddles in place on each Plate (42B) and in contact with the lifting points of the vehicle. (See Figure E.)
7. Once the Rubber Saddles (39B) have been positioned under the vehicle lifting points, operate the Power Switch to lift the vehicle slightly, and test to make sure the vehicle is well balanced and the contact between the Rubber Saddles and vehicle lifting points are secure. Then, proceed to lift the vehicle to the desired height. (See Figure E.)
8. **NOTE:** When the vehicle has been lifted to the desired height, and the Safety Lock Assembly (1C through 11C) has locked in place, make sure to install proper safety jack stands (not included), under the vehicle once it is lifted to the desired height, as an additional safety measure.

9. Once the repair work to the vehicle is completed make sure to remove all tools, safety jack stands, and materials from under the vehicle and Scissor Lift. Also, make sure the work area is clear and it is safe to lower the vehicle.
10. To lower the Scissor Lift, use the Power Switch and raise the vehicle slightly to take weight off the Safety Lock Assembly (1C through 11C). Then, release pressure on the Power Switch. **(See Figure D.)**
11. Stand well away from the Scissor Lift and vehicle. Then squeeze and hold in the Brake Lever (13B) while at the same time pushing in and holding the Pressure Release Valve Handle (3A) to slowly lower the Scissor Lift all the way down to the floor. **(See Figure D.)**
12. Move the Rubber Saddles (39B) and Plates (42B) inward, out of the path of the vehicle. **(See Figure E.)**
13. Disengage the vehicle parking brake. Start the vehicle's engine, and drive the vehicle off the Scissor Lift slowly and carefully.

INSPECTION, MAINTENANCE, AND CLEANING

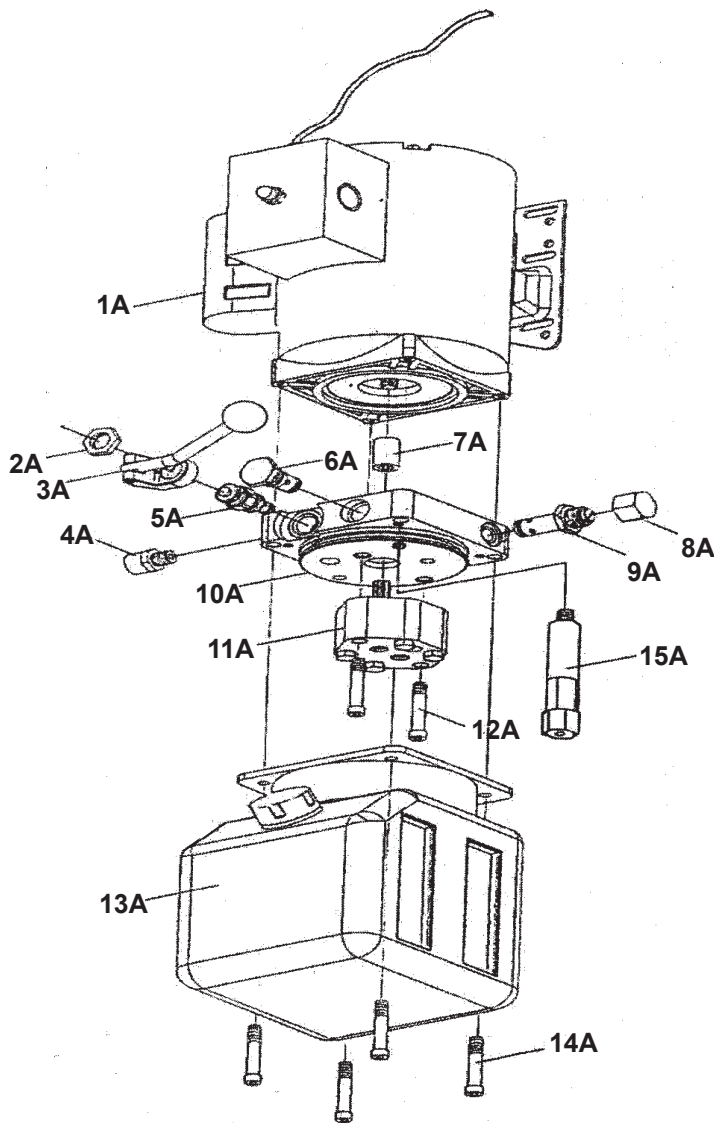
⚠WARNING! Always unplug the Power Cord from its electrical outlet before performing any inspection, adjustments, maintenance, or cleaning.

1. **Before each use**, inspect the general condition of the Scissor Lift. Check for loose screws, misalignment or binding of moving parts, cracked or broken parts, damaged electrical wiring and hoses, and any other condition that may affect its safe operation. If abnormal noise or vibration occurs, have the problem corrected before further use.
Do not use damaged equipment.
2. **Daily:** With compressed air or a vacuum, remove all dirt and debris from the Scissor Lift. Also, use a detergent or mild solvent to remove oil and grease from the unit. Then, use a premium quality, machine oil to lubricate all moving parts.
3. **Daily:** Check the level of hydraulic oil in the Oil Tank. The Oil Tank (13A) has a holding capacity of 6.5 quarts. To fill the Oil Tank, squeeze and hold the Brake Lever (13B) to release any load on the Scissor Lift. Remove the Oil Tank Fill Cap on the Oil Tank. Add a premium quality hydraulic oil until the level of oil is even with the Oil Tank's fill hole. Then, replace the Oil Tank Fill Cap. **(See Figure D.)**

PARTS LIST/ASSEMBLY DIAGRAM A

Part	Description	Qty.
1A	Motor	1
2A	Nut (M20 x 1.5)	1
3A	Pressure Relief Valve Handle	1
4A	Oil Fill Cap	1
5A	Release Valve Assy.	1
6A	Check Valve Assy.	1
7A	9 Gear Bearing Cap	1
8A	Safety Valve Nut Cap	1

Part	Description	Qty.
9A	Safety Valve Assy.	1
10A	Valve Seat	1
11A	Gear Pump	1
12A	Bolt	2
13A	Oil Tank	1
14A	Bolt	4
15A	Bumper Assy.	1

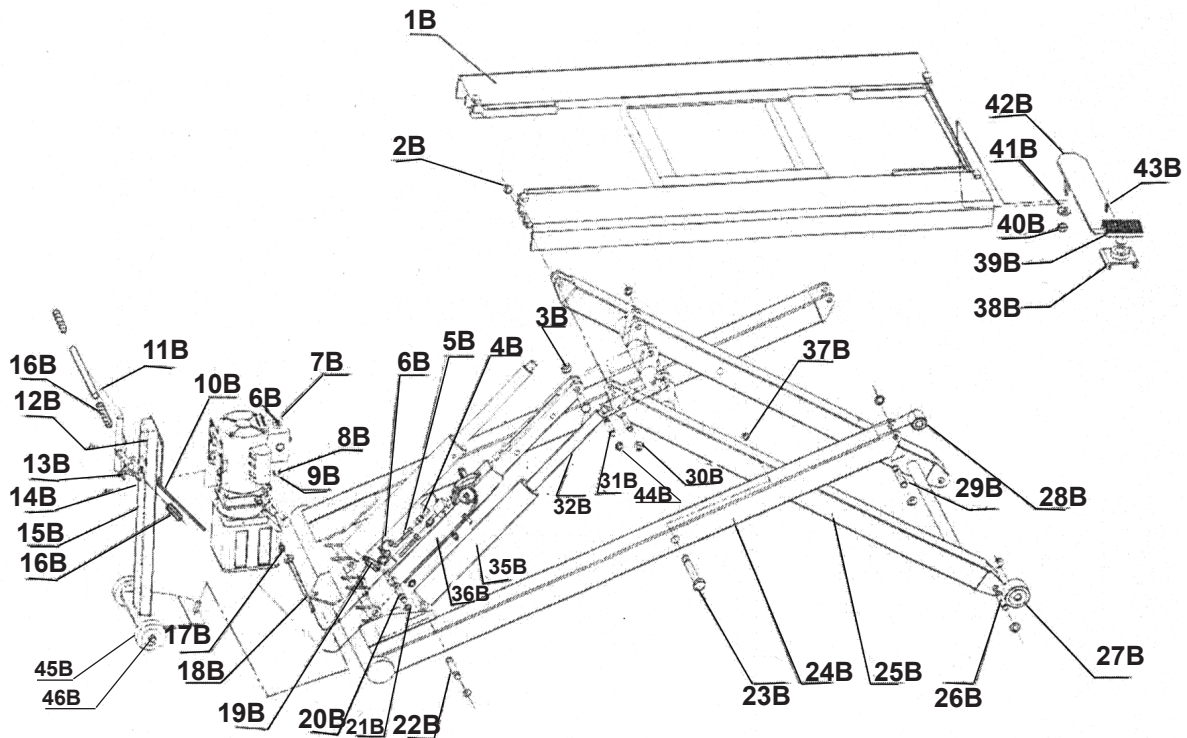


NOTE: Some parts are listed and shown for illustration purposes only, and are not available individually as replacement parts.

PARTS LIST/ASSEMBLY DIAGRAM B

Part #	Description	Qty.
1B	Table	1
2B	Retaining Ring (18)	8
3B	Locking Nut (M20)	1
4B	Oil Pipe Connector (3)	3
5B	Branch Inlet Pipe	2
6B	Oil Pipe Connector (2)	2
7B	Oil Supply Fitting	1
8B	Nut (M8)	4
9B	Washer (8)	4
10B	Brake Steel Cable	4
11B	Handle	1
12B	Hex Screw (M8)	4
13B	Brake Lever Assy.	1
14B	Bolt (M8)	4
15B	Transmission Holder	1
16B	Rubber Cap	3
17B	Oil Pipe Connector (1)	1
18B	General Inlet Pipe	1
19B	Check Valve	2
20B	Safety Locking Pin	1
21B	Retaining Ring (20)	20
22B	Cylinder Pin	2

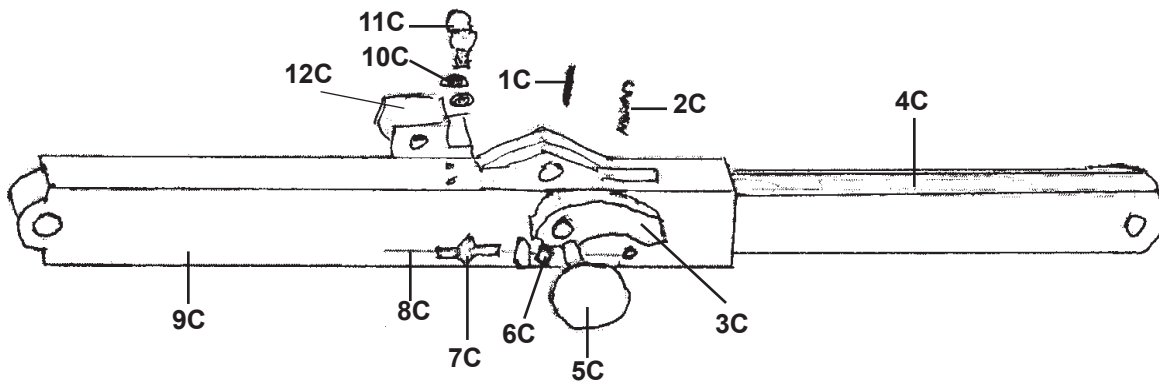
Part #	Description	Qty.
23B	Scissor Pin	2
24B	Outer Scissor	1
25B	Inner Scissor	1
26B	Wheel Pin	2
27B	Large Wheel	2
28B	Small Wheel	2
29B	Wheel Pin	2
30B	Connecting Pin	2
31B	Cylinder Pin	2
32B	Safety Locking Pin	1
35B	Cylinder Assy.	2
36B	Safety Lock Assy.	1
37B	Retaining Ring (24)	2
38B	Saddle Holder	4
39B	Rubber Saddle	4
40B	Locking Nut	4
41B	Washer (20)	4
42B	Plate	4
43B	Bolt (M8 x 20)	4
44B	Ring (15)	2
45B	Wheel	2
46B	Nut	2



NOTE: Some parts are listed and shown for illustration purposes only, and are not available individually as replacement parts.

PARTS LIST/ ASSEMBLY DIAGRAM C

Part #	Description	Qty.
1C	Pin	1
2C	Spring	1
3C	Lock Block	1
4C	Lock Pole	3
5C	Lock Wheel	1
6C	Nut M (8)	1
7C	Bolt (M8)	1
8C	Steel Wire Cable	1
9C	Lock Sheath	1
10C	Washer (12)	1
11C	Bolt (M12)	1
12C	Check Valve	1



NOTE: Some parts are listed and shown for illustration purposes only, and are not available individually as replacement parts.

PLEASE READ THE FOLLOWING CAREFULLY

THE MANUFACTURER AND/OR DISTRIBUTOR HAS PROVIDED THE PARTS LIST AND ASSEMBLY DIAGRAM IN THIS MANUAL AS A REFERENCE TOOL ONLY. NEITHER THE MANUFACTURER OR DISTRIBUTOR MAKES ANY REPRESENTATION OR WARRANTY OF ANY KIND TO THE BUYER THAT HE OR SHE IS QUALIFIED TO MAKE ANY REPAIRS TO THE PRODUCT, OR THAT HE OR SHE IS QUALIFIED TO REPLACE ANY PARTS OF THE PRODUCT. IN FACT, THE MANUFACTURER AND/OR DISTRIBUTOR EXPRESSLY STATES THAT ALL REPAIRS AND PARTS REPLACEMENTS SHOULD BE UNDERTAKEN BY CERTIFIED AND LICENSED TECHNICIANS, AND NOT BY THE BUYER. THE BUYER ASSUMES ALL RISK AND LIABILITY ARISING OUT OF HIS OR HER REPAIRS TO THE ORIGINAL PRODUCT OR REPLACEMENT PARTS THERETO, OR ARISING OUT OF HIS OR HER INSTALLATION OF REPLACEMENT PARTS THERETO.

LIMITED 1 YEAR / 90 DAY WARRANTY

Harbor Freight Tools Co. makes every effort to assure that its products meet high quality and durability standards, and warrants to the original purchaser that for a period of one year from date of purchase that the tank is free of defects in materials and workmanship (90 days if used by a professional contractor or if used as rental equipment). Harbor Freight Tools also warrants to the original purchaser, for a period of ninety days from date of purchase, that all other parts and components of the product are free from defects in materials and workmanship. This warranty does not apply to damage due directly or indirectly to misuse, abuse, negligence or accidents, repairs or alterations outside our facilities, normal wear and tear, or to lack of maintenance. We shall in no event be liable for death, injuries to persons or property, or for incidental, contingent, special or consequential damages arising from the use of our product. Some states do not allow the exclusion or limitation of incidental or consequential damages, so the above limitation of exclusion may not apply to you. THIS WARRANTY IS EXPRESSLY IN LIEU OF ALL OTHER WARRANTIES, EXPRESS OR IMPLIED, INCLUDING THE WARRANTIES OF MERCHANTABILITY AND FITNESS.

To take advantage of this warranty, the product or part must be returned to us with transportation charges prepaid. Proof of purchase date and an explanation of the complaint must accompany the merchandise. If our inspection verifies the defect, we will either repair or replace the product at our election or we may elect to refund the purchase price if we cannot readily and quickly provide you with a replacement. We will return repaired products at our expense, but if we determine there is no defect, or that the defect resulted from causes not within the scope of our warranty, then you must bear the cost of returning the product.

This warranty gives you specific legal rights and you may also have other rights which vary from state to state.

3491 Mission Oaks Blvd. • PO Box 6009 • Camarillo, CA 93011 • (800) 444-3353