

NOTICE: To comply with FCC rules, adjustment or modifications of this receiver and/or transmitter are prohibited, except for changing the code setting or replacing the battery. **THERE ARE NO OTHER USER SERVICEABLE PARTS.**

NOTE: The Passport transmitter works with all Chamberlain Security+™ rolling code garage door openers.

NOTE: When using the Passport transmitter with an access system or gated entry, contact property manager.

NOTE: If programming a HomeLink® transmitter for an access system is required, contact property manager.



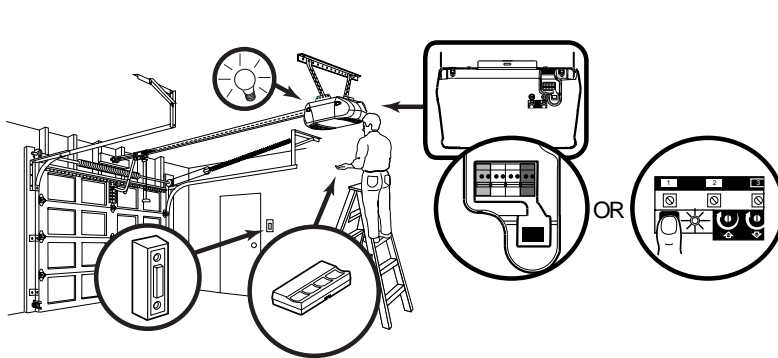
WARNING

Children operating or playing with a garage door opener can injure themselves or others. The garage door could close and cause serious injury or death. Do not allow children to operate the wall push buttons or remote controls.

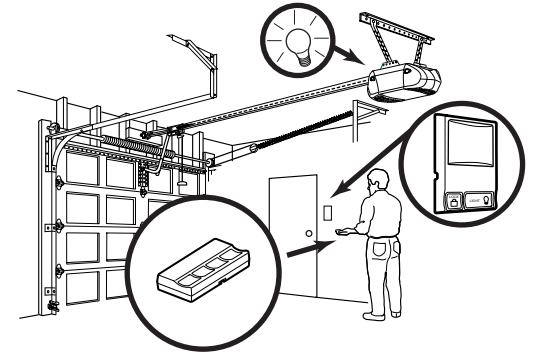
A moving garage door could injure or kill someone under it. Activate the opener only when you can see the door clearly, it is free of obstructions, and is properly adjusted.

PROGRAMMING

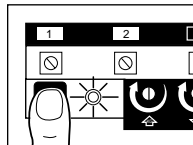
USING THE "LEARN" BUTTON



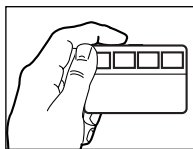
USING THE MULTI-FUNCTION DOOR CONTROL



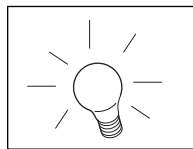
1. Press and release the "learn" button on the motor unit. The learn indicator light will glow steadily for 30 seconds.



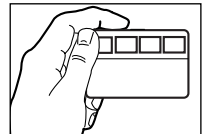
2. Within 30 seconds, press and hold the button on the hand-held remote* that you wish to operate your garage door.



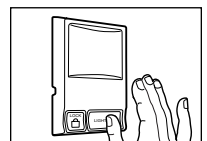
3. Release the button when the motor unit lights blink. It has learned the code. If light bulbs are not installed, two clicks will be heard.



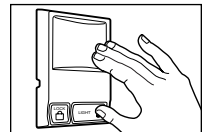
1. Press and hold the button on the hand-held remote* that you wish to operate your garage door.



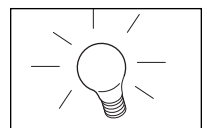
2. While holding the remote button, press and hold the LIGHT button on the Multi-Function Door Control.



3. Continue holding both buttons while you press the push bar on the Multi-Function Door Control (all three buttons are held).



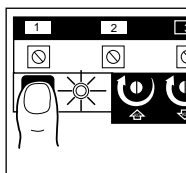
4. Release buttons when the motor unit lights blink. It has learned the code. If light bulbs are not installed, two clicks will be heard.



To Erase All Codes From Motor Unit Memory

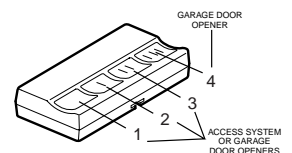
To deactivate any unwanted remote, first erase all codes:

Press and hold "learn" button on motor unit until the learn indicator light goes out (approximately 6 seconds). All previous codes are now erased. Reprogram each remote or keyless entry you wish to use.



NOTE: Any button can be used with a garage door opener and/or access control system.

Notice that on a four-button remote, the fourth button has a different access control identification number and facility code than the other three buttons. This only affects how the access control system is programmed by the property manager.



The Remote Control Batteries

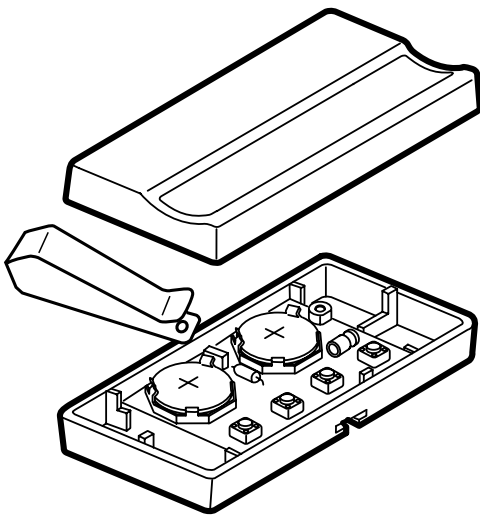
1. The lithium batteries should produce power for up to 5 years.
2. To replace, pry open case with visor clip or screwdriver, as shown. Insert batteries *positive side up (+)*. See figure 4.
3. Dispose of old batteries properly.



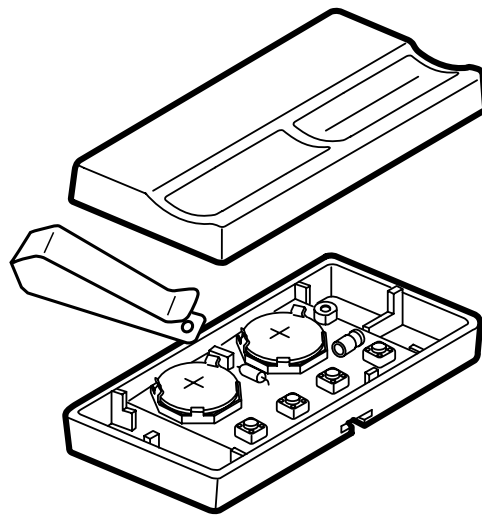
WARNING

Keep batteries away from small children. If swallowed, promptly notify doctor.

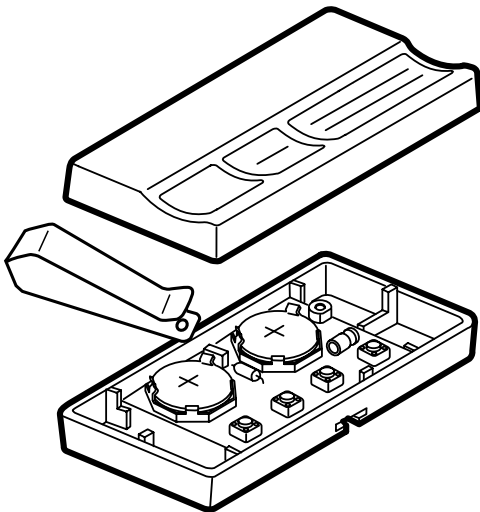
Figure 4



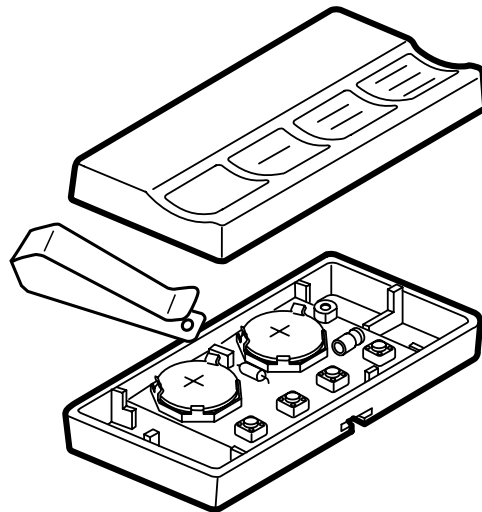
CPT1 (SINGLE CHANNEL TRANSMITTER)



CPT2 (DUAL CHANNEL TRANSMITTER)



CPT3 (THREE CHANNEL TRANSMITTER)



CPT4 (FOUR CHANNEL TRANSMITTER)