

For use with Chamberlain 315 MHz or 390 MHz garage door openers manufactured after January 1, 1993. The garage door opener activates when the 4-digit Personal Identification Number (PIN) and ENTER button are pressed on the Keyless Entry.

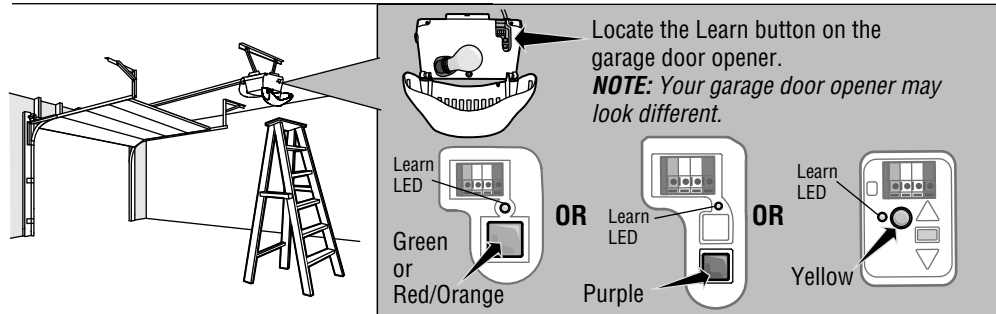
Install the battery and program the Keyless Entry prior to installation. Make sure the garage door opener has a working light bulb because it is a programming indicator.

⚠ WARNING

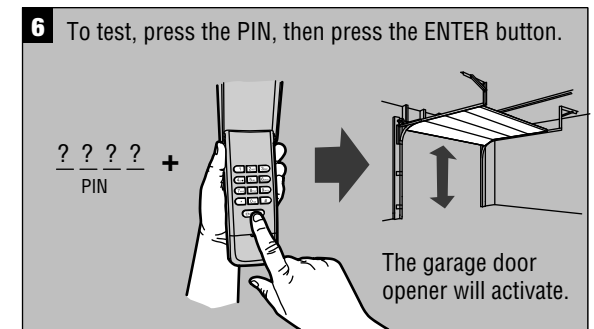
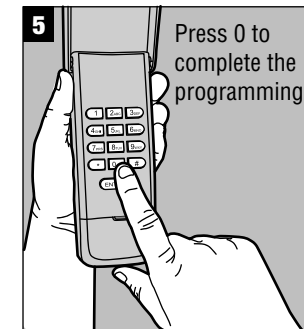
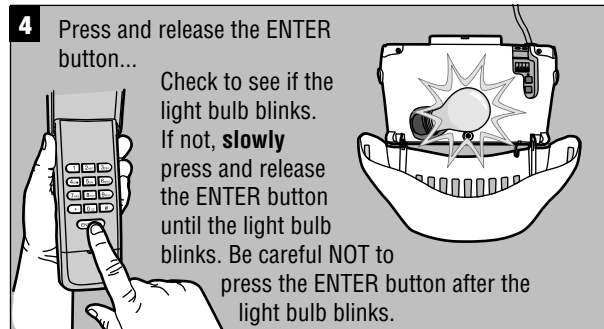
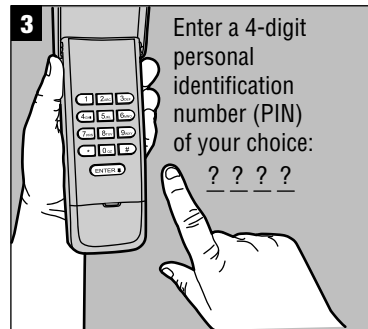
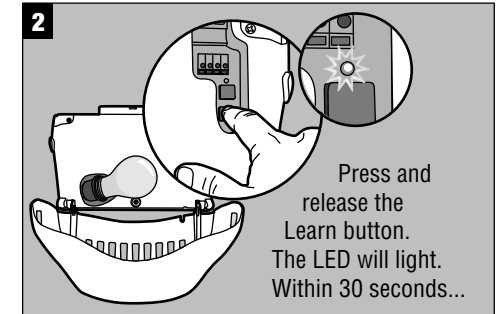
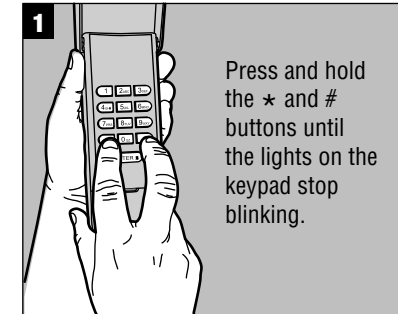
To prevent possible **SERIOUS INJURY** or **DEATH** from a moving gate or garage door:

- Install Keyless Entry Control within sight of the garage door, out of reach of children at a minimum height of 5 feet (1.5 m), and away from ALL moving parts of door.
- ALWAYS keep remote controls out of reach of children. NEVER permit children to operate, or play with remote controls.
- Activate gate or door ONLY when it can be seen clearly, is properly adjusted, and there are no obstructions to door travel.
- ALWAYS keep gate or garage door in sight until completely closed. NEVER permit anyone to cross path of moving gate or door.

PREPARE

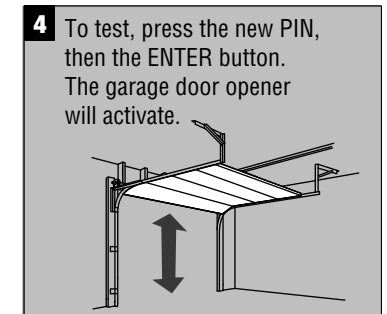
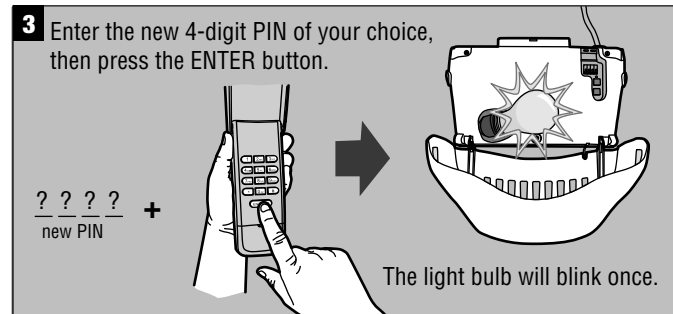
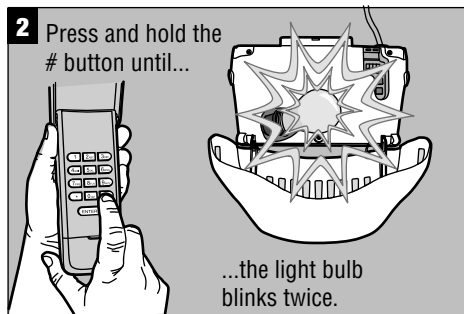
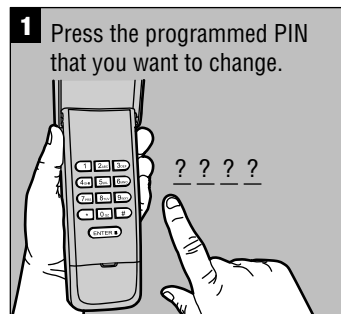


PROGRAM INITIAL PIN



To program the Keyless Entry to more than one garage door opener, repeat the steps above using a new PIN for each additional garage door opener.

CHANGE AN EXISTING PIN*



* For garage door openers that have a green Learn button or an external receiver repeat "Program Initial PIN" to change the existing PIN.

PROGRAM A TEMPORARY PIN

NOTE: This feature is not available on garage door openers that have a green Learn button or an external receiver.

A temporary 4-digit PIN can be programmed to allow access to visitors. Each programmed PIN can program one temporary PIN. The temporary PIN can be set for a number of hours or a number of door openings. The temporary PIN cannot be the same as any previously programmed PIN.

1 Press any programmed PIN, then press and hold the * button until...

...the light bulb blinks 3 times.

2 Enter the temporary 4-digit PIN of your choice, then press the ENTER button.

The light bulb will blink 4 times.

3 **NUMBER OF HOURS**

Press the number of hours the temporary PIN will work (up to 255). + Then press the * button.

1 blink

3 **NUMBER OF OPENINGS**

Press the number of openings the temporary PIN will work (up to 255). + Then press the # button.

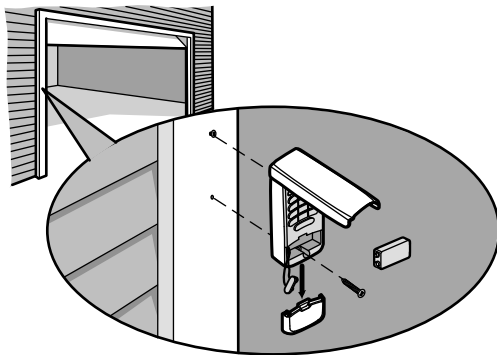
1 blink

To test, press the temporary PIN, then press the ENTER button. The garage door opener will activate. If the temporary PIN was set for a number of openings, the test will use up one opening.

To clear the temporary PIN, repeat steps 1-3 above, setting the number of hours or openings to 0 in step 3.

INSTALLATION

- 1 Select a location to mount the Keyless Entry at a minimum height of 5 feet (1.5 m) out of the reach of children.
- 2 Remove battery cover and battery.
- 3 Mark the top mounting hole and drill 1/8 inch (3.2 mm) pilot hole.
- 4 Install the top screw, allowing 1/8 inch (3.2 mm) to protrude above the surface. Position the Keyless Entry over the top screw.
- 5 Mark the bottom hole and drill 1/8 inch (3.2 mm) pilot hole. Install the bottom screw. Do not overtighten to avoid cracking the plastic housing.
- 6 Reinstall battery and replace cover.



OPERATION

The garage door opener activates when the PIN and ENTER button are pressed. The keypad will blink for 15 seconds, during that time the ENTER button can be used to stop, start or reverse the door.

If the wrong number is accidentally pressed, press the correct PIN then the ENTER button. The Keyless Entry will transmit only the last four digits that were pressed before the ENTER button.

ONE BUTTON CLOSE: The Keyless Entry has a feature that allows the door to be closed using the ENTER button instead of a PIN.

NOTE: This feature is not available on garage door openers manufactured prior to 2006 or an external receiver.

To deactivate the one button close feature:

- 1 Press and hold the 1 and 9 buttons for 10 seconds.
- 2 The keypad will blink four times when the one button close feature is deactivated.

To activate the one button close feature:

- 1 Press and hold the 1 and 9 buttons for 10 seconds.
- 2 The keypad will blink twice when the one button close feature is activated.

REPLACEMENT PARTS

Battery	10A25
Keypad Cover	41D621
Battery Cover	41D541

BATTERY

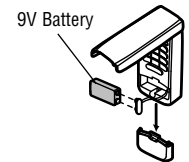
⚠ WARNING

To prevent possible **SERIOUS INJURY** or **DEATH:**

- NEVER allow small children near batteries.
- If battery is swallowed, immediately notify doctor.

Replace the battery when the keypad becomes dim or does not light after a button is pressed.

Dispose of old battery properly.



NOTICE: To comply with FCC and or Industry Canada rules (IC), adjustment or modifications of this receiver and/or transmitter are prohibited, except for changing the code setting or replacing the battery. THERE ARE NO OTHER USER SERVICEABLE PARTS.

Tested to Comply with FCC Standards FOR HOME OR OFFICE USE. Operation is subject to the following two conditions: (1) this device may not cause harmful interference, and (2) this device must accept any interference received, including interference that may cause undesired operation.

WARRANTY

ONE YEAR LIMITED WARRANTY

The Chamberlain Group, Inc. warrants to the first retail purchaser of this product that is free from defect in materials and/or workmanship for a period of 1 year from the date of purchase.

www.chamberlain-diy.com

1-800-528-9131

114A3926

© 2011, The Chamberlain Group, Inc.
All Rights Reserved