

# Lift-Master

## The Professional Line

SAMPLE OF 362LM  
INSTRUCTIONS

Single-Function  
Remote Control Transmitter  
Model ~~61~~LM  
*361*

2-Channel  
Remote Control Transmitter  
Model ~~62~~LM  
*362*

Multi-Function  
Remote Control Transmitter  
Model ~~63~~LM  
*363*

F.C.C. rules prohibit adjustments to or modification of receiver and/or remote control transmitter circuitry except for changing the code setting and replacing remote control transmitter battery. THERE ARE NO OTHER USER SERVICEABLE PARTS.

Manufactured under 1 or more of the following U.S. patents: RE29,525; 4,037,201; 4,750,118; 4,806,930 — Other Patents Pending



**CAUTION: ACTIVATE THE OPENER ONLY WHEN THE DOOR IS IN FULL VIEW, FREE OF OBSTRUCTION AND PROPERLY ADJUSTED. NO ONE SHOULD ENTER OR LEAVE THE GARAGE WHILE DOOR IS IN MOTION. DO NOT ALLOW CHILDREN TO OPERATE THE REMOTE(S) OR THE DOOR CONTROL BUTTONS. DO NOT ALLOW CHILDREN TO PLAY NEAR THE DOOR.**

Match or change codes in new and original remote(s) as described and illustrated below. Side 2 explains how to set/change receiver codes and how to use Multi and 2-function remotes with other receivers.

The 2-Channel Remote Control has two push buttons (for Channel 1 and Channel 2), each activated by its own set of code switches. Refer to the illustration below. Channel 1 push button has a smooth surface. One of the buttons can be used to operate a garage door opener. The other button can operate an entry way, light product or another door opener.

Access the code switches for channel 1 push button (recommended for a garage door opener) by sliding back the battery compartment cover. To access the code switches for channel 2, remove the battery compartment cover and the cover screw. Then depress the tab in edge of case (along-side battery). The remote control case back will lift off.

**Single Function Remote Control:** Slide the battery compartment cover back to access code switches in the NEW remote control. Locate code switches in original remote control.

The Multi-Function Remote Control has three push buttons. The large button is recommended for use with a garage door opener. The other push buttons can be used to operate another garage door opener and/or light control product.

Slide back the battery compartment cover to access the code switches in the NEW remote control. **NOTE 1:** In multi-function remote controls, only code switches 2 through 9 must be set to matching positions. Code switch #1 is neutral. Set it to any position. It will not affect the code.

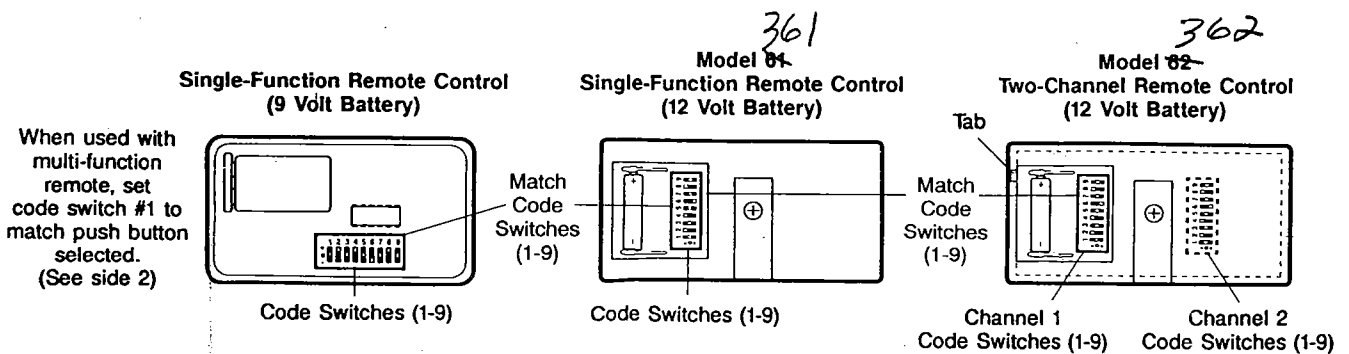
**NOTE 2:** If multi and single function remote controls will be used to operate the same receiver, set code switch #1 in the single function remote control to match the multi-function push button selected. (Refer to illustration B on Side 2 for the code positions that match the multi-function remote control push buttons.

### MATCH/CHANGE THE CODE IN NEW AND EXISTING REMOTE CONTROL TRANSMITTER(S) SET CODE SWITCHES IN ALL REMOTE CONTROL TRANSMITTERS TO MATCHING POSITIONS

If you want to keep the same code, proceed as follows (refer to the illustration of your Model remote control):

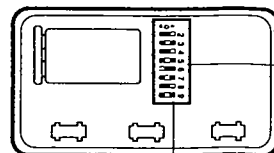
1. Locate code switches in original remote control(s), either by sliding the battery compartment cover back or by removing the cover screw and turning case over (push button side up). When you set the case bottom aside, be careful to avoid moving circuit board components.
2. Place remote controls side by side as shown. Set the code switches in the new remote control to the same positions as in the original remote control. Use a screwdriver or pen to slide the switches. Refer to note above regarding code switch #1 in Multi-Function Remote Controls.

**ALL MODEL REMOTES:** If original remote control has only 8 switches, set code switch #9 to (0) in new remote control.



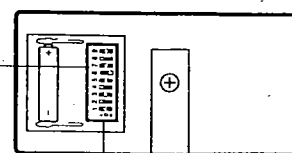
REPLACEMENT PARTS	
Visor clip	29C128
12V battery	10A14
<b>Remote Control Housing (no circuit board):</b>	
Single-Function:	41A3593
2-Channel:	41A3612
Multi-Function:	41A3613

Multi-Function Remote Control  
(9 Volt Battery)



Code Switches (2-9)

Multi-Function Remote Control  
(12 Volt Battery)



Code Switches (1-9)

Code Switch #1  
in a multi-function  
remote is  
neutral - set it  
to any position

## MATCH/CHANGE THE CODE IN RECEIVER

### "SMART" Garage Door Openers With Receiver Code Button

Make sure all remote controls that will be used to operate the same receiver are set to matching code switch positions as described on Side One.

**FOR MULTI-FUNCTION REMOTE CONTROLS ONLY:** Decide which push button you want to use to operate the receiver. The LARGE button is recommended for a garage door opener.

**FOR ALL MODEL REMOTE CONTROLS:** Locate the 'Smart' code button on your garage door opener. (Illustration (A) shows a representative garage door opener with the receiver in the rear panel).

Press the 'Smart' button and the adjacent indicator light will turn ON.

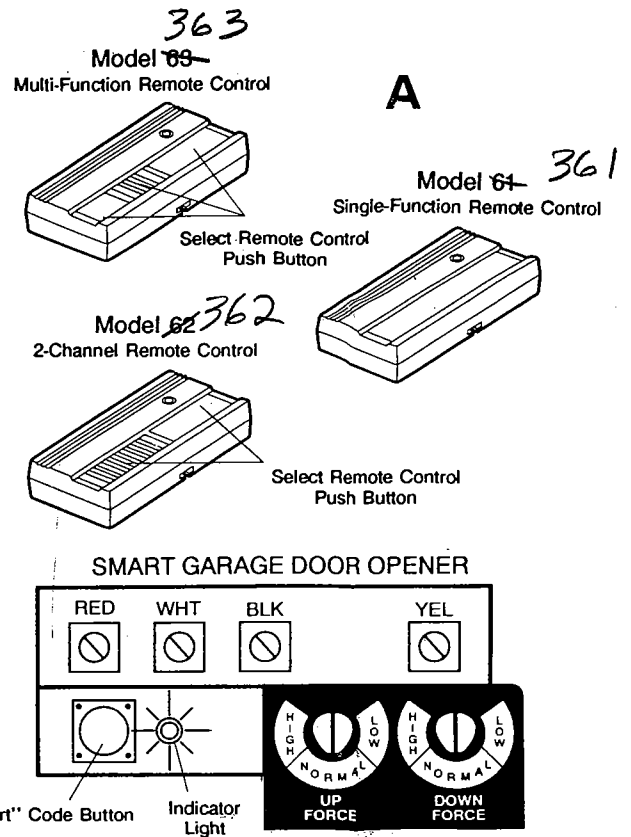
**STAND AWAY FROM DOOR** and press the remote control push button. **NOTE: On 2-channel and multi-function remote controls, make sure you press the selected push button.**

The indicator light will turn OFF and the door will move. The code in the receiver now matches remote control(s) code and the opener will activate from the door control button or when the remote control button is pressed.

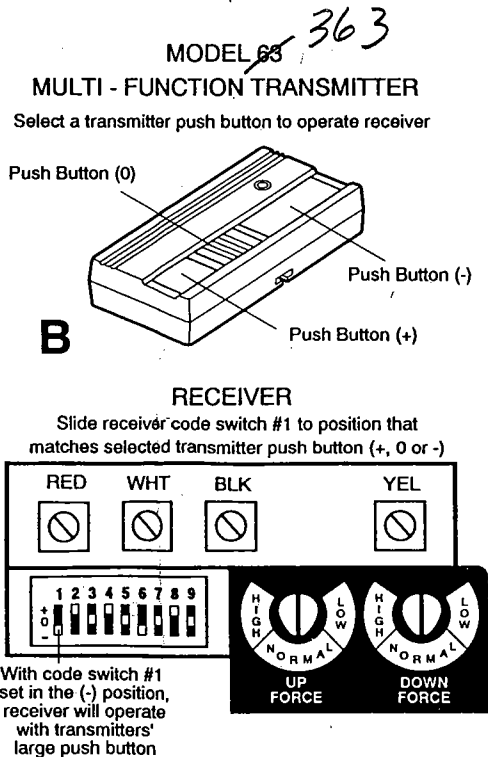
**NOTE: If the remote control push button is not pressed within 30 seconds, the indicator light will turn OFF. Repeat above procedure.**

**To use the 2-channel or multi-function remote control with other 'SMART' receivers:** Select another remote control push button to operate additional garage door opener. All remote controls used to operate receiver must be set to the same code (as described on Side One). Then repeat above procedure.

You can choose a different remote control push button to operate each device.



### Garage Door Openers and Light Controls With Receiver Code Switches



Make sure all remote controls that will be used to operate the same receiver are set to matching code switch positions as described on Side One.

Locate the code switches on your garage door opener or light control receiver. (Illustration (B) shows a representative garage door opener with the receiver in the rear panel).

**FOR SINGLE AND 2-CHANNEL REMOTE CONTROLS:** Hold remote control alongside receiver. Set receiver code switches 1 through 9 to match the remote control positions. **NOTE: If receiver has only 8 code switches, set remote control(s) switch #9 to (0).**

The code switches for the remaining channel in your 2-Channel Remote Control can be set to operate another garage door opener, an entry way or light control. Make sure the receiver code switches are set to the same positions.

**FOR MULTI-FUNCTION REMOTE CONTROL:** Decide which of the three push buttons you want to use to operate the receiver. The LARGE button is recommended for a garage door opener.

Set RECEIVER code switch #1 to match the position of the remote control push button selected. Refer to Illustration (B). Then set receiver code switches 2 through 9 to match remote control switches 2 through 9.

**NOTE: If the receiver has only 8 switches, set remote control switch #9 to (0).**

**To use the Multi-Function Remote Control with another garage door opener or light control:** Set receiver code switch #1 to match the position of another remote control push button. Then set remaining code switches to match remote control(s) code switches 2 through 9.