

# LiftMaster®

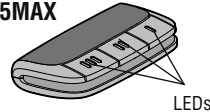
## 3-BUTTON REMOTE CONTROLS MODELS 890MAX, 893MAX, AND 895MAX

Can be used as a replacement remote control for 80 Series, 970 Series, and 370 Series LiftMaster remote controls.

Compatible with 315 MHz or 390 MHz garage door openers manufactured after January 1, 1993. Make sure the garage door opener has a working light bulb because it is a programming indicator.

For use with gate operators, commercial door operators, or other products that are 315 MHz or 390 MHz and have a Learn button. Refer to your product manual for the location of the Learn button.

MODEL 895MAX



MODEL 893MAX



MODEL 890MAX

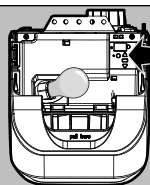
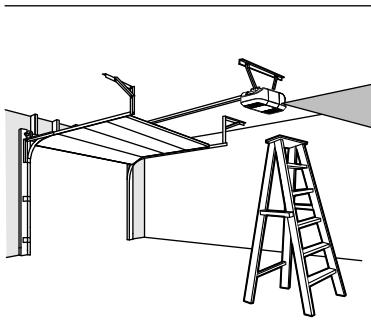


### ⚠ WARNING

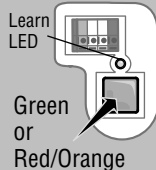
To prevent possible **SERIOUS INJURY** or **DEATH** from a moving gate or garage door:

- ALWAYS keep remote controls out of reach of children. NEVER permit children to operate or play with remote controls.
- Activate gate or door ONLY when it can be seen clearly, is properly adjusted and there are no obstructions to door travel.
- ALWAYS keep gate or garage door in sight until completely closed. NEVER permit anyone to cross path of moving gate or door.

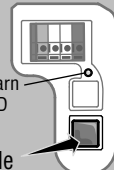
## PREPARE



Locate the Learn button on the garage door opener.  
**NOTE:** Your garage door opener may look different.



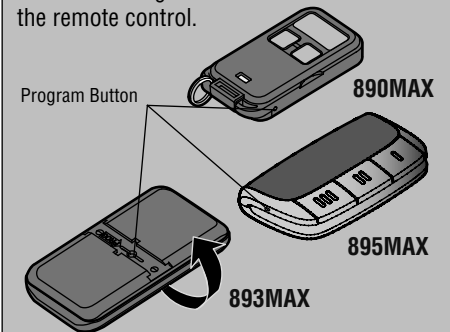
OR



OR

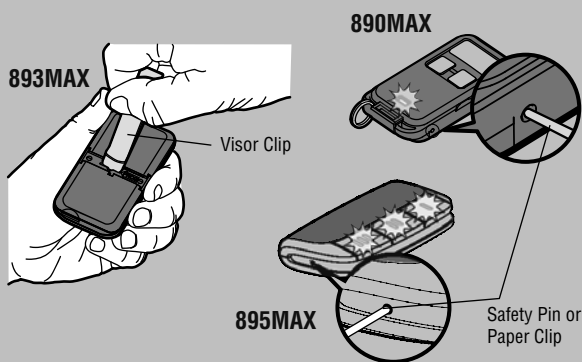


Locate the Program button on the remote control.

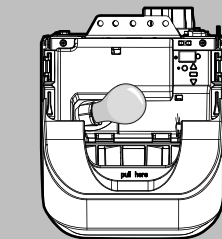


## PROGRAMMING THE REMOTE CONTROL

**1** To enter programming mode, press the Program button until the LED on the **front** of the remote control turns on.



**2** Press and release the Learn button on the garage door opener.



The Learn LED will light.

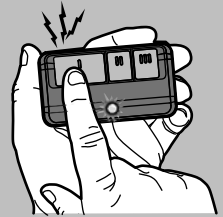
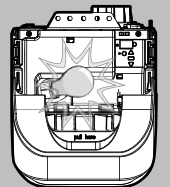
Within 30 seconds...

**3** Press and release the remote control button you want to use...

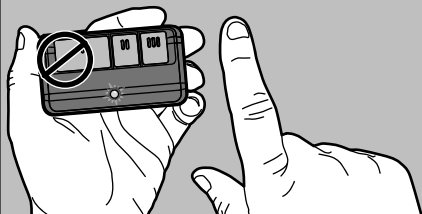
Check to see if the garage door opener light bulb blinks.

If not, wait for the remote control LED to light solid then **slowly** press and release the remote control button again.

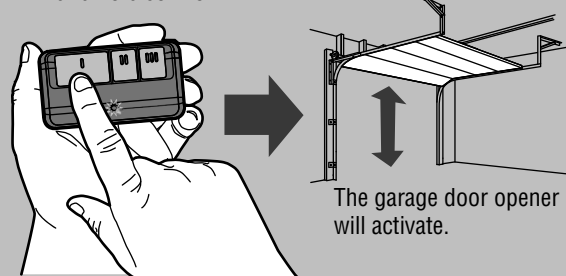
**Repeat** until the light bulb blinks. **DO NOT** press the button after the light bulb blinks.



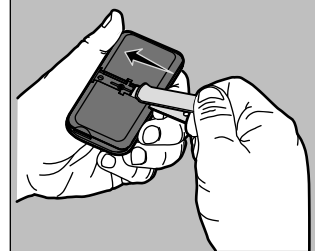
**4** To exit programming mode, press any remote control button **except** the button that was just programmed.



**5** To test, press the programmed button on the remote control...



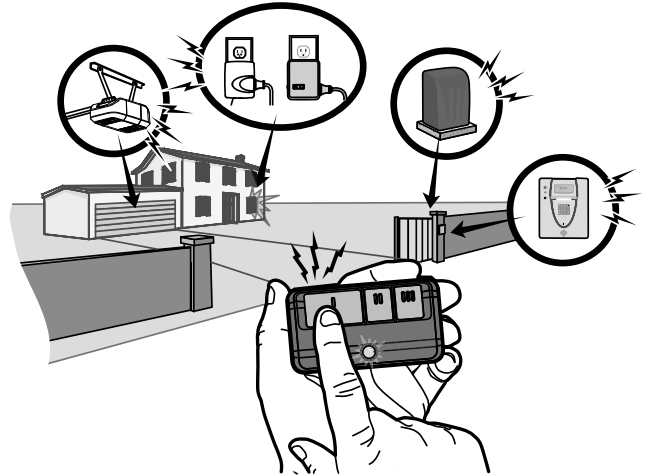
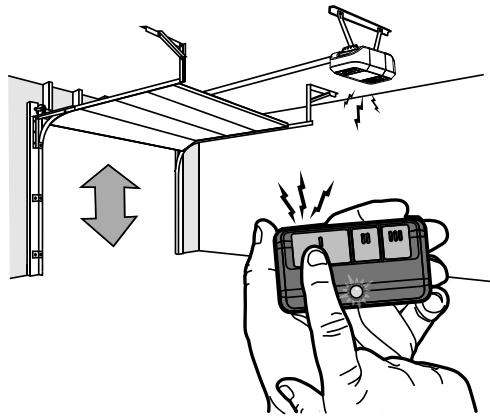
**6** Install the visor clip (not applicable for Model 890MAX).



## HOW TO USE THE REMOTE CONTROL

Press and hold the button down until the door or gate starts to move. The remote control will operate from up to 3 car lengths away on typical installations. Installations and conditions vary, contact an installing dealer for more information.

Additional buttons on the remote control can be programmed to operate up to 3 devices such as additional garage door openers, light controls, gate operators or access control systems.

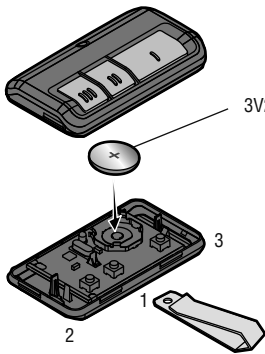


## BATTERY

The LED(s) on your remote control will stop flashing when the battery is low and needs to be replaced. To replace battery, open the case as shown. Insert battery positive side up (+). Replace the battery with only 3V2032 or 3V2016 coin cell batteries (depending on the model). Dispose of old battery properly.

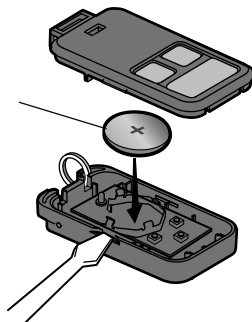
### 893MAX

Pry open the case first in the middle (1), then at each side (2 and 3) with the visor clip.



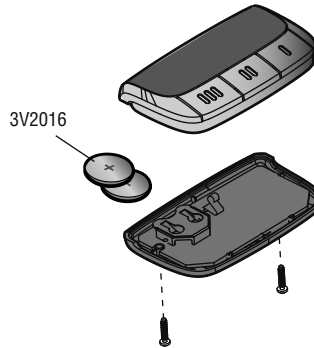
### 890MAX

Pry open the case with a screwdriver blade.



### 895MAX

Remove the two screws and open the case.



3V2032

3V2016

## WARNING

To prevent possible **SERIOUS INJURY** or **DEATH**:

- NEVER allow small children near batteries.
- If battery is swallowed, immediately notify doctor.

To reduce risk of fire, explosion or chemical burn:

- Replace **ONLY** with 3V2032 coin batteries.
- **DO NOT** recharge, disassemble, heat above 212° F (100° C) or incinerate.

**NOTICE:** To comply with FCC and or Industry Canada rules (IC), adjustment or modifications of this receiver and/or transmitter are prohibited, except for changing the code setting or replacing the battery. **THERE ARE NO OTHER USER SERVICEABLE PARTS.**

Tested to Comply with FCC Standards for Home or office use. Operation is subject to the following two conditions: (1) this device may not cause harmful interference, and (2) this device must accept any interference received, including interference that may cause undesired operation.

## WARRANTY

### ONE YEAR LIMITED WARRANTY

The Chamberlain Group, Inc. warrants to the first consumer purchaser of this product that it is free from defect in materials and/or workmanship for a period of 1 year from the date of purchase.

## REPLACEMENT PARTS

3V2032 Lithium Battery (Models 893MAX & 890MAX)	10A20
3V2016 Lithium Battery (Model 895MAX)	10A19
Visor Clip (Model 893MAX)	29B137
Visor Clip (Model 895MAX)	29C151

[www.liftmaster.com](http://www.liftmaster.com)

1-800-528-9131