

CHAMBERLAIN[®]

Access Solutions

ACCESSMASTER OL1010 OVERLOCK

INSTALLATION MANUAL



For Technical Support Please Call:

1-888-528-7826

www.chamberlainaccess.com

Overview

The Overlock device is a battery-powered, radio-actuated, locking device that provides a positive stop to control unit access. An actuator is extended until it sits against a closed door hasp, providing a positive lock that effectively prevents the door from being opened.

The Overlock provides additional access and security control that integrates with a Falcon XT access control system. This additional control helps to protect vacant units from unauthorized use or vandalism and assists in preventing access to units by delinquent users.

The overlock device provides automated overlocking of commercial doors. The device offers two modes of operation:

- Delinquent payment: Allows manager to overlock the customer's unit until the delinquent amount has been paid.
- Vacant unit: Allows manager to secure a vacant unit to help prevent vandalism and unauthorized use.

An opt-out function is included that allows the site manager to turn off any or all of these options. Please refer to the Overlock Software Manual for information on setting up each function.

Specifications

Battery:	4 AA lithium, 1.5V
Temperature:	-40° C to +85° C
Range:	500 ft Open Range maximum
Frequency:	903 to 928 Mhz ISM

Door and Hasp Types Supported: (For Beta)

Door Types:	Janus 650
	DBCI 2000
	US Door 501/502
Hasp Types:	Chateau C-DL-1 and
	C-DL2 four bolt door latch

The overlock can be installed on both right-hand and left-hand door hasps.

Chamberlain Access Solutions shall have no liability for any death, injury, or damage, however incurred, based on a claim that Chamberlain Access Solutions Products failed to function. However, if Chamberlain Access Solutions is held liable, directly or indirectly, for any loss or damage arising under this limited warranty or otherwise, Chamberlain Access Solutions's maximum liability will not in any case exceed the purchase price of the Product, which will be fixed as liquidated damages and not as a penalty, and will be the complete and exclusive remedy against Chamberlain Access Solutions

Warning: The User should follow all installation, operation, and maintenance instructions. The User is strongly advised to conduct Product and systems test at least once each week. Changes in environmental conditions, electric or electronic disruptions, and tampering may cause the Product to not perform as expected.

Warning: Chamberlain Access Solutions warrants its Product to the User. The User is responsible for exercising all due prudence and taking necessary precautions for the safety and protection of lives and property wherever Chamberlain Access Solutions Products are installed. Chamberlain Access Solutions does not authorize the use of its Products in applications affecting life safety.

Notice. Some Chamberlain Access Solutions products use 900Mhz wireless technology. Other devices at the site such as cordless telephones or alarm components may cause interference that will disrupt the operation of the system or may be interfered with by the system. Chamberlain Access Solutions assumes no liability for any problems caused by interference. It is the sole responsibility of the user to identify and correct such problems.

WARRANTY & DISCLAIMER

Chamberlain Access Solutions warrants its products and equipment to conform to its own specifications and to be free from defects in materials and workmanship, under normal use and service, for a period of two years from the date of shipment. Within the warranty period, Chamberlain Access Solutions will repair or replace, at its option, all or any part of the warranted product which fails due to materials and/or workmanship. Chamberlain Access Solutions will not be responsible for the dismantling and/or re-installation charges. To utilize this warranty, the customer must be given a Return Goods Authorization (RGA) number by Chamberlain Access Solutions. The customer must pay all shipping costs for returning the product.

This warranty does not apply in cases of improper installation, misuse, failure to follow the installation and operating instructions, alteration, abuse, accident, tampering, natural events (lightning, flooding, storms, etc.), and repair by anyone other than Chamberlain Access Solutions. This warranty does not warrant the replacement of batteries that are used to power our products.

This warranty is exclusive and in lieu of all other warranties, expressed or implied, including but not limited to the implied warranties of merchantability and fitness for a particular purpose. Chamberlain Access Solutions will not be liable to anyone for any consequential or incidental damages for breach of this warranty or any other warranties.

This warranty will not be modified or varied. Chamberlain Access Solutions does not authorize any person to act on its behalf to modify or vary this warranty. This warranty applies to Chamberlain Access Solutions products only. All other products, accessories, or attachments used in conjunction with our equipment, including batteries, will be covered solely by their own warranty, if any. Chamberlain Access Solutions will not be liable for any direct, incidental, or consequential damage or loss whatsoever, caused by the malfunction of product due to products, accessories, or attachments of other manufacturers, including batteries, used in conjunction with our products.

The customer recognizes that a properly installed and maintained security system may only reduce the risk of events such as burglary, robbery, personal injury, and fire. It does not insure or guarantee that there will be no death, personal damage, and/or damage to property as a result. Chamberlain Access Solutions does not claim that the Product may not be compromised and/or circumvented, or that the Product will prevent any death, personal and/or bodily injury and/or damage to property resulting from burglary, robbery, fire, or otherwise, or that the Product will in all cases provide adequate warning or protection.

Chamberlain Access Solutions products should only be installed by qualified installers. The customer is responsible for verifying the qualifications of the selected installer.

Battery Power

Power for the unit is provided by four AA lithium batteries (included). The lithium batteries supplied are maintenance-free batteries. Under normal operating conditions these batteries should last for up to 2 years. When the batteries need to be replaced, the system will alert the administrator. To replace the batteries:

- Remove the old batteries and replace with new lithium batteries.
- Dispose of the old batteries per local codes for hazardous waste.

NOTE: Do not use alkaline batteries in the overlock. Alkaline batteries will result greatly reduced battery life and system performance. Lithium batteries last up to 7 times longer than alkaline and will withstand outdoor temperatures that alkaline batteries will not.

Tools Required

- Drill
- 1/4" drill bit
- allen wrench (may change if new screw head is used)
- Pop riveting tool for 1/4" pop rivet
- Marking pen
- Ruler

Assembly

The only assembly required will be to insert the batteries and fasten the battery cover after installation.

NOTE: If door alarms are installed on the door, ensure that they are installed on the opposite side of the door hasp so they do not impede the movement of the door and overlock after installation.

Set Up the OL1010

To program the overlock, the device must 'learn' the devices to

with. Devices must be manually learned before installation. To manually learn overlocks to the transceiver:

- After the transceiver is connected to the Falcon XT, press the function button on the transceiver (SW1) to put it into learn mode.
- When the red LED is lit (not blinking) the transceiver is in learn

Insert the batteries in the overlock.

Press the Learn button on the overlock (S2) to be learned. The LED on both the overlock and the transceiver will pulse while the device is being learned. When the LED on the overlock goes out, the device is learned. Learn all overlocks in this manner.

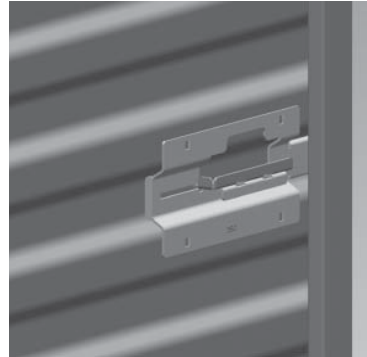
After all overlocks have been learned to the transceiver, press the function button on the transceiver and the LED will go off. The transceiver is no longer in learn mode.

Mounting the Overlock

After overlocks have been learned they can be installed on the units. During installation, keep track of the serial number of each overlock, the unit number on which it is installed, and the serial number of the transceiver to which it reports. This information will be needed when installing the software. (The worksheets on pages 9-10 can be copied and used as needed to keep track of device and unit assignments.)

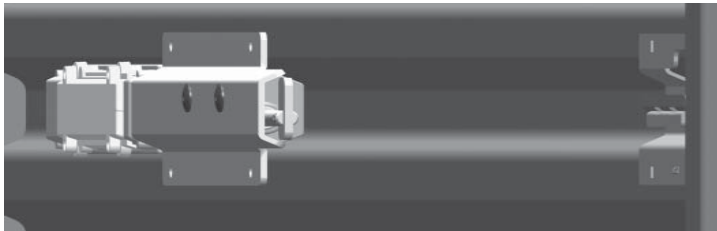
Use the following procedure to install the overlock device on a corrugated rolling or swing door:

1. If the unit is unrented, ensure that the door is closed and the door hasp is in the locked position. (The unit may be rented with a customer lock already installed.)

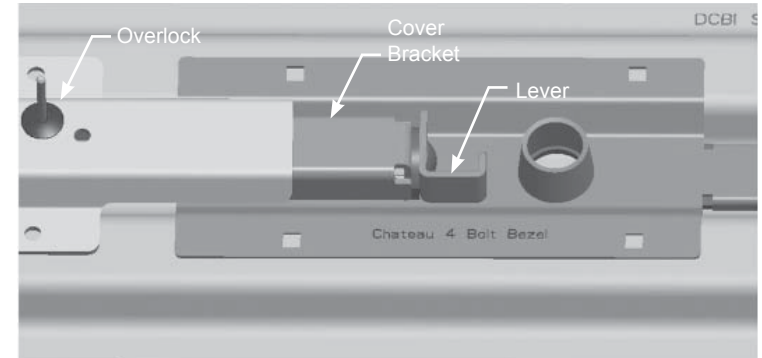


2. Test the actuator to ensure that it extends and retracts properly. The overlock device should be delivered from the factory with the actuator extended and should be in the extended position before installation. To operate the actuator, press the black tamper switch once to extend and again to retract.

3. Position the overlock device in the door groove with the door hasp. (A customer lock may be present on the unit if the unit is currently rented.)



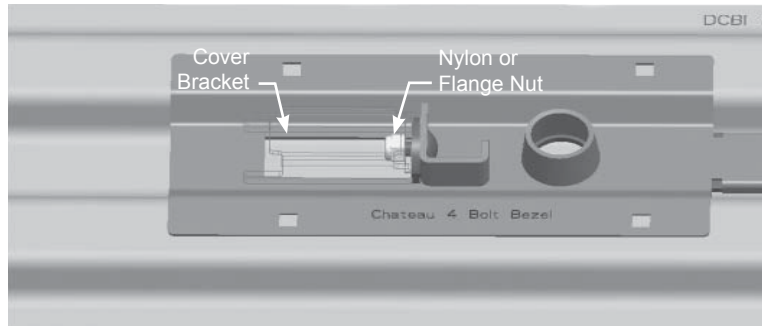
5. After installation, the overlock and adapter should be positioned as follows.



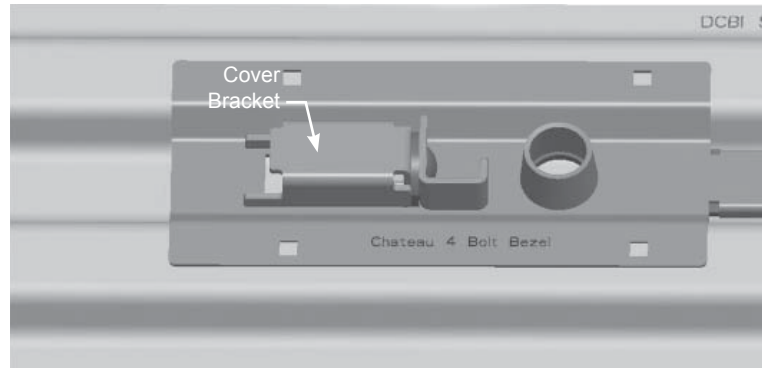
Troubleshooting

Overlock service alerts are managed in the overlock management software. In the software, go to Tools\Manage Overlocks to view and clear alerts.

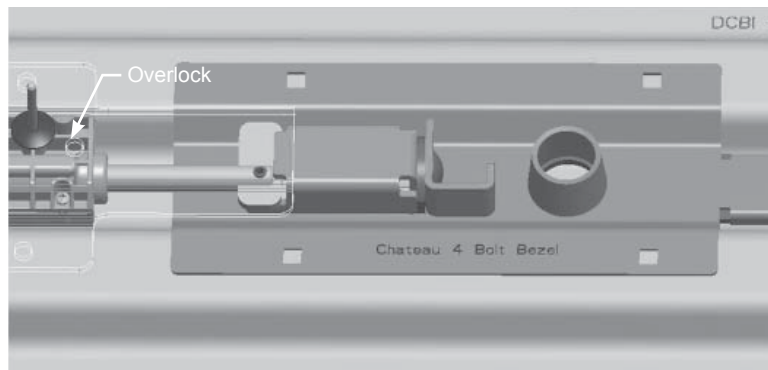
2. Add the cover bracket and the nylon or flange nut. Tighten until fitted snugly using a 1/4" drive ratchet with extension and a 7/16" socket.



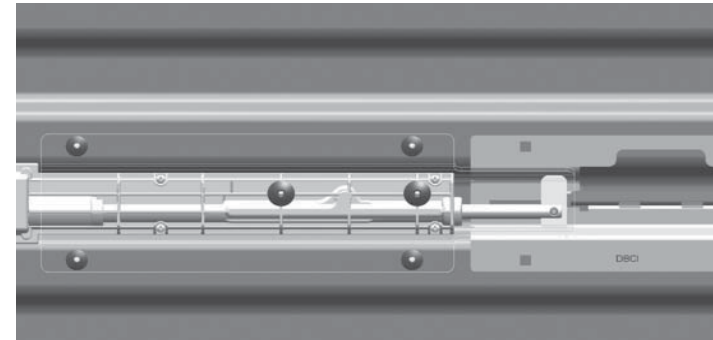
3. When installation is complete, the adapter should be positioned as follows.



4. Install the overlock device using the previous mounting instructions.

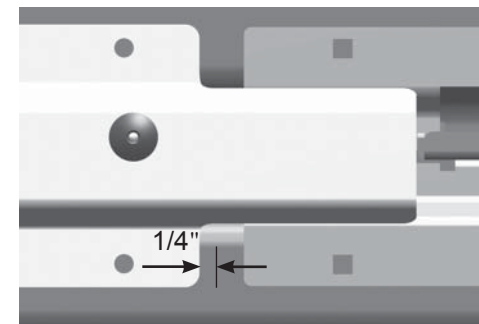
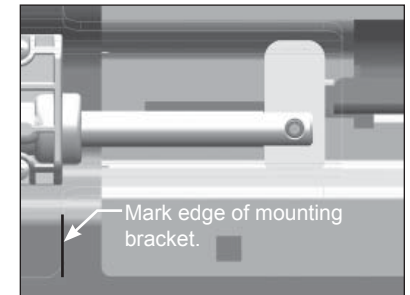


4. Slide the overlock toward the hasp until the end of the extended actuator touches the end of the hasp.



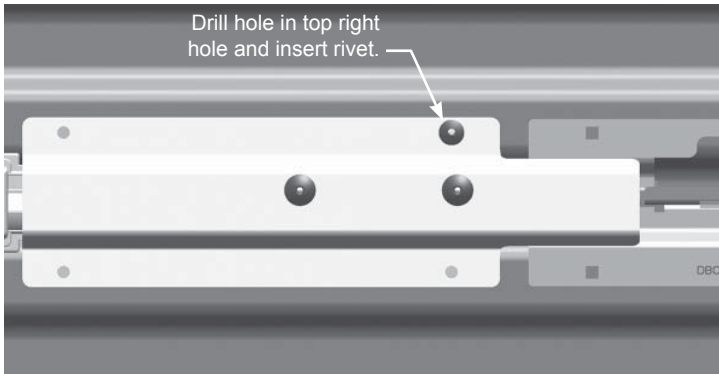
NOTE: The actuator will not be visible from the front as the mounting bracket covers the actuator.

5. Using the edge of the mounting bracket as a guide, mark this position on the door with the marking pen.
6. Slide the overlock away from the hasp until there is a 1/4" gap between the hasp and the actuator. Mark this position using the marking pen.

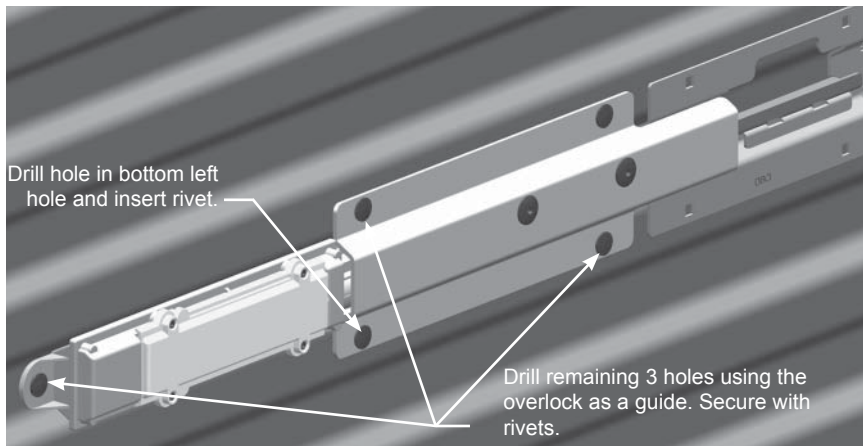


NOTE: The overlock device may need to be shimmed to hold the device tight against the door. If spacers are used for shimming, be sure to use them at all five rivet points. Not shimming a door that requires it can severely damage both the overlock and the door.

7. Hold the overlock in position tight against the door and drill a 1/4" hole in the door through the top right hole.

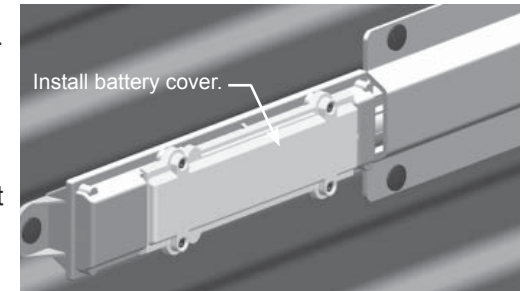


8. With the overlock still held tight in position, place a rivet through the hole and secure it using the pop rivet tool.
9. Drill a second hole in the door through the bottom left hole on the metal plate. Place a rivet through the hole and secure it using the pop rivet tool.
10. Drill the remaining three holes in the overlock device. Place rivets in each of the three holes and secure using the pop rivet tool.



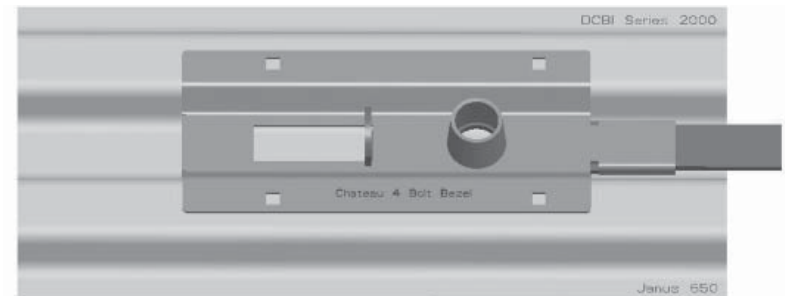
11. Test the actuator again after installation. Press the tamper switch (S3) located to the left of the battery case to retract the actuator arm. The actuator should be in the retracted position after installation.

12. Install the battery cover. Install all screws just until each one holds. Tighten down each screw using a cross-hatch pattern to prevent binding of the screws.



Installing an Adapter

The standard overlock device is designed for use with Chateau C-DL-1 and C-DL2 four bolt door latch door hasps. An adapter has been designed so that the overlock can be used with the Chateau 4 bolt bezel latch hasp type.



Use the following procedure to install the adapter.

1. After installing the bezel latch, add the lever and the 1/4" x 3/4" carriage bolt.

