



# SideKick

## 3000

### Full-featured ~~MINIATURIZED~~ Vehicle Security System

- **Longer Range Receiver Design.**
- **Advanced Fault Tolerant Outputs.. Every Transistor Is Protected.**
- **Valet Mode Via Remote.. As well as using the Valet Button.**
- **Dome Light Supervision Circuitry.**
- **Accepts 4 Button and 2 Button Remotes... Simultaneously!**
- **Automatically conforms to different remote configurations.**
- **Permanent Chirp Delete Function Via Remote.**
- **Separate Driver / All Doors Unlocks.**
- **Permanent Warn Delete Via Remote.**
- **Ignition Controlled Door locks; Selectable.**
- **Built-in 2 zone Shock Sensor.**
- **"Anti Hijack Via Remote" Feature.**
- **Code Learning Feature, up to 4 Remotes.**
- **Built-in Lights Relay, 12 Amp.**
- **Parking Lights Supervision Output; Selectable.**
- **Multi - Car Operation.**
- **Fuzzy Logic Shock Sensor .**
- **Advanced "Shock Learn" function.**
- **Horn Honk Output.**
- **Smart Passive Locking Feature.** The system will never lock your keys in the car, but knows when your keys are NOT in the car!
- **MemoMax™ Feature Remembers All Settings and States Of The System.** On Power-up, the system initiates in the last state it was before last power-down!

FCCID RECEIVER: JLFM1  
TRANSMITTER: JLFTX4  
FCC Notice:  
This device complies with FCC Part 15 regulations. This device  
1: Will not cause harmful interference with other devices.  
2: Must accept interference, including that which may cause undesired operation.

BE CAREFUL NOT TO USE YOUR TEST LIGHT ON THE AIRBAG WIRES, AS THAT COULD DEPLOY YOUR AIR BAG. KEEP YOUR HEAD AND BODY AWAY FROM THE STEERING WHEEL WHEN TESTING WIRES UNDER DASH.

## IMPORTANT

THE REMOTES ARE NOT PROGRAMMED AT THE FACTORY TO THIS UNIT.

### TEACH THE REMOTES FIRST.

#### CODE LEARNING FEATURE (OR TO ADD A NEW TRANSMITTER):

- 1- Turn the ignition to the "On" position.
- 2- Press and hold the VALET button until the system "Chirps" to indicate ready to learn status.
- 3- Press Button#1 of the new transmitter once. The system will "Chirp" to indicated learned remote.  
(If you teach Button #2 instead, then that remote will control this vehicle from its button #2, and treat button#1 as the second button. This feature is designed for 2 car operation).
- 4- Another remote may be taught now.
- 5- When done, turn off the ignition. The system will chirp to indicate done.

Note: If you place the system in learn mode and teach nothing, the system will exit in 10 seconds.

Note: If the 4 location limit is exceeded, the system erases old codes.

To erase a lost remote, teach remaining or new remotes a total of 4 times.

twice to indicate the cycle has begun. The 60 second timer is reset each time a protected opening has been opened. The LED flashes rapidly at this time. The doors will not lock when armed passively, unless the installer has set the option to allow for the doors to lock automatically.

**DOOR INPUTS ARE DELAYED;**

This system features DELAYED door inputs ( 1 second) when opened with the alarm armed. This feature is designed to avoid the computer glitches generated by some cars a few minutes after the last door has been closed, avoiding false alarms without any loss of security.

**CODE LEARNING FEATURE (OR TO ADD A NEW TRANSMITTER):**

To "Teach" new or additional remotes to this system..

- 1- Turn the ignition to the "On" position.
  - 2- Press and hold the VALET button until the system "Chirps" to indicate ready to learn status.
  - 3- Press Button#1 of the new transmitter once. The system will "Chirp" to indicated learned remote.  
(If you teach Button #2 instead, then that remote will control this vehicle from its button #2, and treat button#1 as the second button. This feature is designed for 2 car operation).
  - 4- Another remote may be taught now.
  - 5- When done, turn off the ignition. The system will chirp to indicate done.
- Note: If you place the system in learn mode and teach nothing, the system will exit in 10 seconds.  
Note: If the 4 location limit is exceeded, the system erases old codes.  
To erase a lost remote, teach remaining or new remotes a total of 4 times.  
The memory for the codes is NON VOLATILE and will not be erased by power failure for 10 years or more.

(c) 1999, International Electronics, Inc. All rights reserved. IEI is not responsible for defective installation.

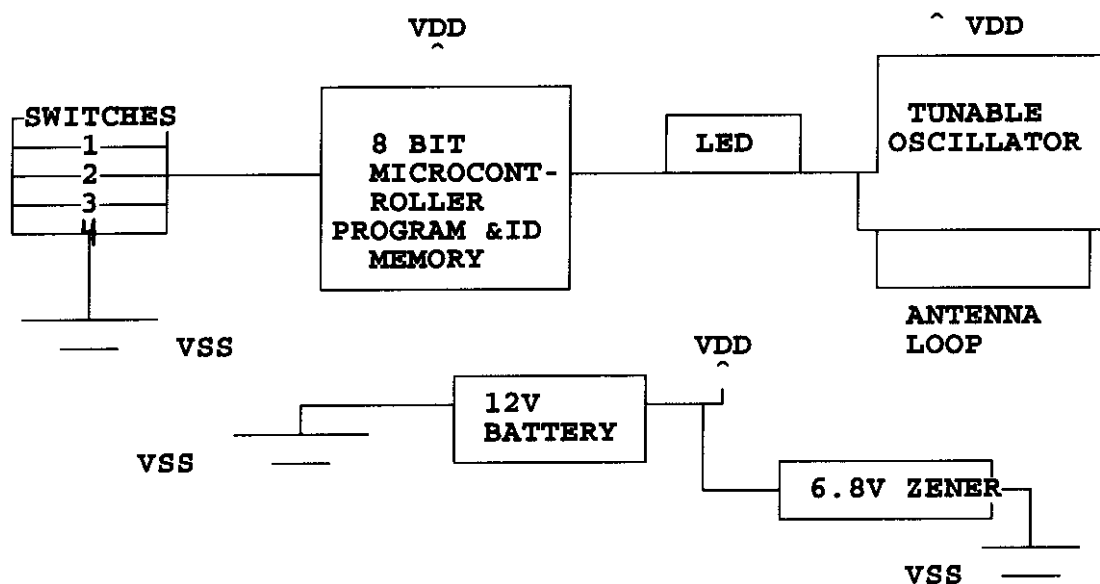
**MADE IN USA**

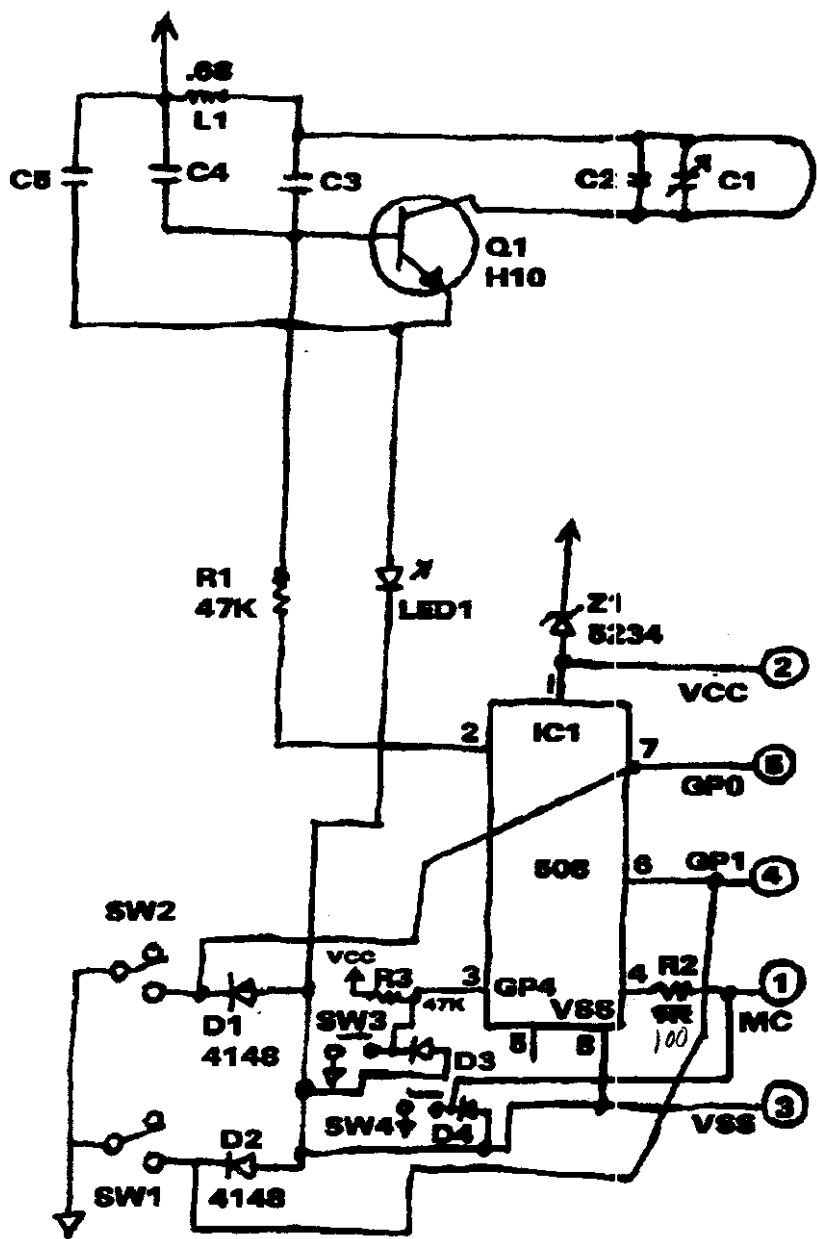
International Electronics, Inc.

FCC ID JLFTX4 "Transmitter For Car Alarm"

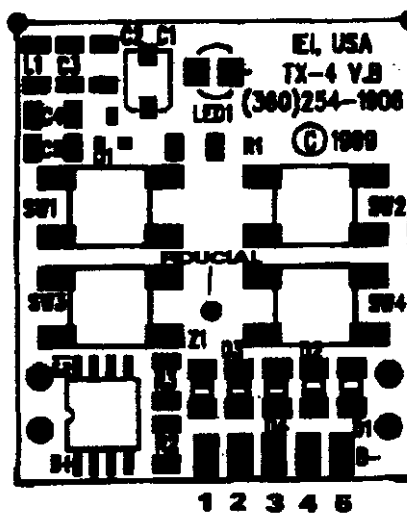
This Transmitter is made up of the following parts:

- 1: Microcontroller, which generates a unique ID for the said transmitter.
- 2: Switches, which when actuated, apply power to the circuit.
- 3: Oscillator, which operate as OOK (On-Off-Keyed), with the center frequency of 310MHZ.
- 4: LED indicator, which indicates transmission in progress.





**ASSEMBLY**



IE	
3-3-88	REV. B
TX-4	

# OPERATION

## **ARMING AND DISARMING THE SYSTEM:**

NOTE: In VALET mode, there are no Chirps issued. In VALET mode, the lights only flash once.

NOTE: If the CHIRPS have been deleted previously, arming and disarming issue no chirps.

2 Button Remote..... Button #1 = Arm, 1 Chirp, 1 Flash.

4 Button Remote..... Button#1 = Arm, 1 Chirp, 1 Flash.

Button #1= Disarm, 2 Chirps, 2 Flashes.

Button#2 = Disarm, 2 Chirps, 2 Flashes.

## **REMOTE DOOR LOCKS**

If this OPTIONAL FEATURE is installed, The Doors Will Lock And Unlock as the system is Armed and Disarmed.

## **CONTROLLING THE DRIVER'S DOOR LOCKS SEPARATELY Dip Switch #5 = ON**

If this OPTIONAL FEATURE is installed, the system can Unlock the Driver's Door separately from the other doors.

2 Button Remote: Unlocking / Disarming using Button #1 (When system is armed or doors are locked) will Only Unlock The Driver's Door. Pressing Button #2 one time unlocks all doors.

4 Button Remote: When system is armed, press the Unlock Button once. Only the Driver's Door will unlock. Pressing the Unlock Button a second time unlocks all doors.

## **INTRUSION MEMORY AND ZONE REPORT;**

On disarm, if the alarm sounded in your absence, the zone memory will issue a report. . The following codes will be issued:

3 Chirps: External Shock Sensor Triggered.

4 chirps: Door Intrusion.

5 Chirps: External Sensor (Such as Radar) triggered.

6 Chirps: Shock Sensor (Internal) triggered.

## **PANIC VIA REMOTE;**

2 Button Remote..... Hold button #1 down for 3 seconds; The alarm will sound. Works regardless of alarm status.  
Press Button#1 again to stop the sound.

4 Button Remote..... Press and hold the 3rd button marked with a "Horn". The alarm will sound.  
Press the DISARM button to stop the sound.

## **CHANNEL #2 OR TRUNK RELEASE (Optional.. extra installation may be required)**

2 Button Remote..... Press and hold button #2 until the trunk opens (3 seconds).

4 Button Remote..... Press and hold the UNLOCK button until the trunk opens.

If the alarm is armed, the system will automatically disarm and unlock the doors. There is no need to disarm the system before you open the trunk via remote.

## **IGNITION TRIGGERED DOOR LOCKS: (if selected)**

5 Seconds after the engine has been started by your key, the system will lock the doors to protect the occupants. The doors will unlock when the ignition has been turned off.

*THIS FEATURE IS CANCELED AUTOMATICALLY* if the door is open or opened during the 5 seconds noted above, protecting against accidental locking of the keys in the car.

## **SMART FLASHING LED;**

The LED informs you of the status of the system:

- Slow flash = Armed.

- Solid on = The system is in valet mode.

-Very Fast flash = Passive arming is counting down.

- Fast flash = Alarm Sounded in your absence.

## **PERMANENT CHIRP DELETE / RESTORE;**

To mute the chirps issued during Arm, Disarm and Successful Remote Engine Start cycles...Using the remote:

1- Turn the Ignition Switch to the "ON" position.

2- Press Button #2 4 times in a row.

3- The system will indicate CHIRP delete or restore by issuing the following "Chirps":

2 "Chirps" = System will "Chirp" during arm / disarm.

3 "Chirps" = Chirps have been deleted.

NOTE: The chirps are temporarily reinstated when the system toggles WARN & CHIRP modes, as well as during Shock and Code Learn procedures.

## **WARN-FIRST FEATURE;**

This system features a special shock sensor design which will warn the would be intruder to stay away, using a short "Burst" of warning alarm "Chirps". The setting of this feature is always set to 50% of your shock sensor setting .

HOWEVER, IF THE SHOCK SETTING IS ADJUSTED TO SENSITIVE, THE WARN FEATURE IS AUTOMATICALLY DEACTIVATED BY THE COMPUTER avoiding annoying warnings.

## **TO DEACTIVATE WARN-FIRST FEATURE;**

Press Button #2 4 times . The system will chirp to indicate the status of the Warn-Away feature:

2 Chirp = Warn-First is ENABLED. 3 Chirps = Warn-away is DISABLED.

The setting will not change, EVEN WITHOUT POWER CONNECTED, until you change it again.