

# Champion®

The Dishwashing Machine Specialists

Project \_\_\_\_\_  
 Item No. \_\_\_\_\_  
 Quantity \_\_\_\_\_

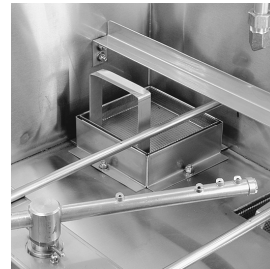
MODEL UTC-6 WASHER

## STANDARD FEATURES

- Fits under a standard countertop
- External wash hose and spray gun
- Heavy-duty stainless steel construction
- Moisture resistant control gauges
- Drop-down door system and drain table
- Digital control & information center
- Self-contained water heating
- Fresh hot water sanitizing rinse
- Recirculating wash water
- Easy to remove filter baskets
- Adjustable wash and rinse cycle times

## MODEL UTC-6

Pot, Pan and Utensil Washer



Easily removable filter basket



Digital control & information center

## OPTIONS

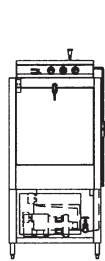
Tank Heat

- Steam  
 Gas

Additional Pan Washer Models:



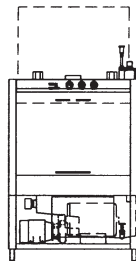
LD-10



UTM-10



SD-20



LD-20



Champion Industries, Inc.  
 P. O. Box 4149, Winston-Salem, NC 27115  
 Tel: 800/532-8591 Fax: 336/661-1979  
 2674 N. Service Road,  
 Jordan Station, Ontario, Canada L0R 1S0  
 Tel: 800/263-5798 Fax: 905/562-4618

[www.championindustries.com](http://www.championindustries.com)

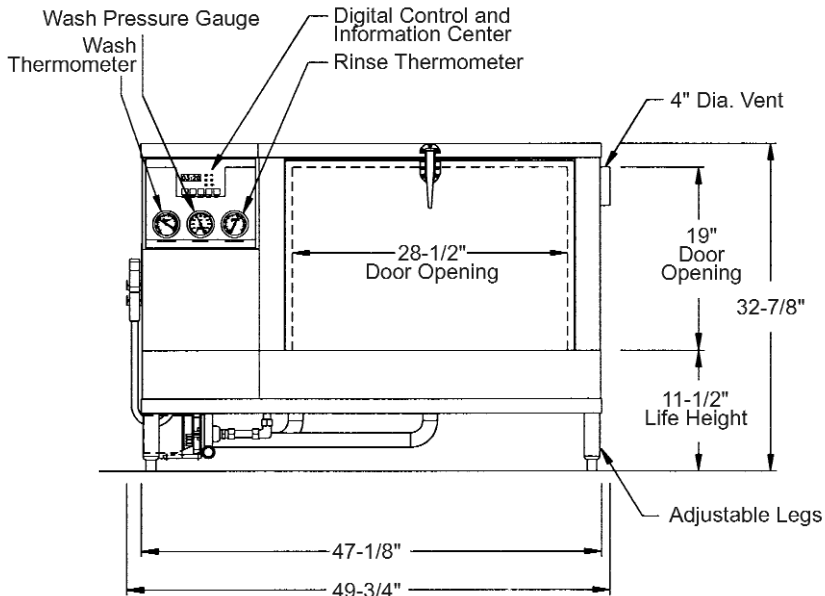
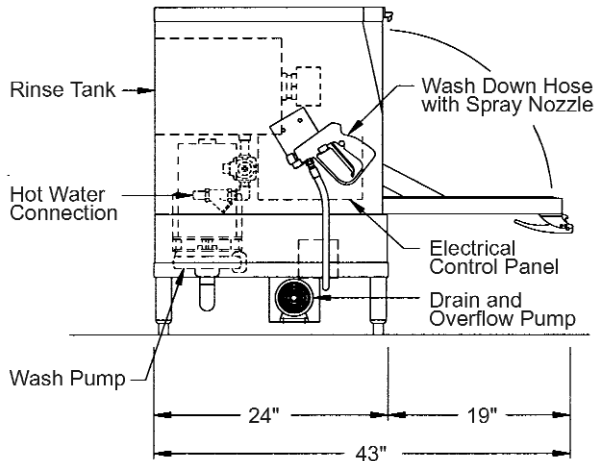
# MODEL UTC-6

Pot, Pan and Utensil Washer

# Champion®

The Dishwashing Machine Specialists

Dimensions shown in inches



## SPECIFICATIONS

### Machine Construction

12, 14, 16 & 18 gauge Stainless steel.

### Door

Stainless Steel drop-down door for easy loading and unloading.

### Spray Arm Assembly

STAINLESS STEEL spray arm assembly with stainless steel jets, removable end caps and hand operated quick release mechanism for easy cleaning and reassembly.

### Filter

Perforated, removable, Stainless Steel baskets.

### Water Pump

2 Hp, 208/240 or 480 volt, 1 phase or 3 phase 60 cycle with output of 100 gallons per minute at 35 to 45 P.S.I.

### Digital Control & Information Center

110 volt control circuit with push pad operation of "power on", "stop" and "short, medium or long wash cycles". A digital display indicates "time remaining" for each cycle. LED's indicate wash, rinse and unload functions. A buzzer is also included to provide an audible indication of time to unload. A programmable controller allows the push pad to be used as a "diagnostic center" by displaying "error codes" for ease of troubleshooting.

### Gauges

Special moisture resistant design measure wash temperature, rinse temperature, wash pressure.

### Wash Tank

Stainless Steel with electric heater, thermostatically controlled, low water protected, sloped to drain with a 14-gallon capacity

### Rinse Tank

Stainless Steel with 3 kW 208/240 or 480 volt electric booster heater to provide 180°F/190°F hot sanitizing rinse.

### Racks

Stainless Steel built to match specific washing requirements.



The Dishwashing Machine Specialists

## SPECIFICATIONS

### MODEL UTC-6 POT, PAN & UTENSIL WASHER

<b>Washer</b>	Automatic washing machine designed to wash all pots, pans and utensils commonly used in baking and cooking operations.
<b>Cabinet</b>	47-1/4" wide x 24" deep x 32-7/8" high. Door Opening 28-1/2" wide x 19" high. Wash Area: 26-1/2" wide x 19" high x 17-1/2" deep. Constructed of 12, 14 & 16 gauge, type 304 #3 finish, Stainless Steel. All seams tig-welded, cleaned and polished.
<b>Door</b>	Front-loading, drop-down door designed for easy loading and unloading. Door opens to create a convenient, space-saving drain table. Door is interlocked with limit switch to prevent machine operation while door is open.
<b>Recirculating Wash Tank</b>	Heated by one (1) 6 kW 208/240 at 480 volt electric immersion heater, thermostatically controlled wash temperature and low water protection system. 14 gallons, sloped to drain.
<b>Wash Tank Filter</b>	Perforated, Stainless Steel basket type designed for increased effectiveness and easy cleaning without emptying wash tank.
<b>Wash Tank Drain &amp; Overflow Pump</b>	1/14 hp, 120 volt, single phase drain pump for automatic operation and remote connection hook-up.
<b>Wash Pump</b>	2 hp, 208/240 or 480 volt, 3 phase or 1 phase, 60 cycle. Close coupled; 50 gallons per minute at 35 to 45 psi.
<b>Rotating Wash Hub Assembly</b>	Water driven, quick release, Stainless Steel ball bearing assembly. Complete with two Stainless Steel arms, high velocity wash jets and removable end caps for quick and easy cleaning without the use of tools.
<b>Sanitizing Rinse Tank</b>	Stainless Steel 4 gallon capacity, with one (1) 3 kW 208/240 or 480 volt electric booster heater to provide 180°-190°F hot sanitizing rinse. Uses 2.5 gallons per 15 second cycle.
<b>Water Supply Valve</b>	Size 1/2" brass material, solenoid type, automatic.
<b>Final Rinse Piping</b>	Type 304 Stainless Steel tubing with brass compression fittings and piping brass or optional Stainless Steel full cone rinse jets.
<b>Control and Information Center</b>	110 volt control circuit with push pad operation of "Power On," "Stop" and "Short, Medium or Long wash cycles." A digital display indicates "Time Remaining" for each cycle. LED's indicate wash, rinse and unload functions. A buzzer is also included to provide an audible indication of time to unload. A pre-programmed circuit board allows the push pad to be used as a "Diagnostic Center" by displaying "Error Codes" for ease of troubleshooting. Moisture resistant gauges measure Wash Temperature, Wash Pressure and Rinse Temperature.
<b>Wash Down Spray Hose</b>	Externally mounted spray hose with insulated handle for pre-rinse of heavily soiled items and easy cleaning and maintenance of machine.

Champion Industries, Inc.  
2674 N. Service Road,  
Jordan Station, Ontario, Canada L0R 1S0  
Tel: 800/263-5798 Fax: 905/562-4618

Champion Industries, Inc.  
P. O. Box 4149, Winston-Salem, NC 27115  
Tel: 800/532-8591 Fax: 336/661-1979

[www.championindustries.com](http://www.championindustries.com)



The Dishwashing Machine Specialists

**SPECIFICATIONS**  
**MODEL UTC-6**  
**POT, PAN &**  
**UTENSIL WASHER**

- Steam Exhaust Vent** Steam exhaust vent 4" diameter, consisting of 16 gauge rolled Stainless Steel collar, bolted to the side of the machine. Machine pre-wired with control timer for the addition of a fan.
- Optional Exhaust Fan** Draft inducer fan, side mounted on exhaust duct, to extract excess steam after final rinse cycle. Rated for 300 CFM @ .05" static pressure. 1/10 Hp, 110 volt motor, 1550 RPM.
- Electric Enclosure** Constructed of Stainless Steel, UL approved.
- Racks** Standard rack is a combination utensil rack with hold-down lid and bun/sheet pan insert designed to hold 6 pans, constructed of Stainless Steel. Alternative racks can be customized to hold a customer's specific items.
- Connections** Water Inlet: 120°F, 3/4" NPT  
Water Drain and Overflow: 3/4" NPT  
Electrical: Two point connection through knock out on electrical enclosure.
- Weight** Crated: 400 lbs.; Uncrated: 350 lbs.  
NOTE: All weights are approximate. Weights will vary depending on the number of options included with the machine.

<b>Elec. Spec.</b>	<b>Running Amps</b>	<b>Service Breaker</b>
<b>208 Volt 3 phase</b>	31	40
<b>240 Volt 1 phase</b>	48	60
<b>240 Volt 3 phase</b>	28	35
<b>480 Volt 3 phase</b>	14	25

**Certifications** UL and UL Sanitation Listed (all). CUL Listed (electric and steam only).