

DISCHARGE	4" 125 lb., Flange Horizontal
LIQUID TEMPERATURE	104°F Continuous
MOTOR HOUSING	Cast Iron, Class 30
VOLUTE	Cast Iron, Class 30
IMPELLER	2 vane open type with pump out vanes on back side, Dynamically balanced, ISO G6.3, Cast Iron, Class 30
SOLIDS HANDLING	3" spherical
SHAFT	Stainless steel
SEALPLATE	Cast Iron, Class 30
SQUARE RINGS	Buna-N
HARDWARE	Stainless steel
PAINT	Air dry enamel
SEAL	Double mechanical, Oil Filled pressure equalized reservoir, Silicon Carbide outer seal
UPPER BEARING	Single row, ball, oil lubricated
LOWER BEARING	Double row, ball, oil lubricated
POWER CORD	25 Ft. Cord. Epoxy sealed housing with secondary Pressure grommet for sealing and strain relief.
MOTOR	Class F Insulation, Oil Filled
SINGLE PHASE	Capacitor Start/Capacitor Run. Requires Starter/Panel which includes capacitors and overload protection.
THREE PHASE	230/460 Volt. Dual Voltage. Requires overload protection to be included in control panel.
MOISTURE SENSOR	Normally open (N/O), requires relay in control panel
TEMPERATURE SENSOR	Normally closed (N/C), requires relay in control panel

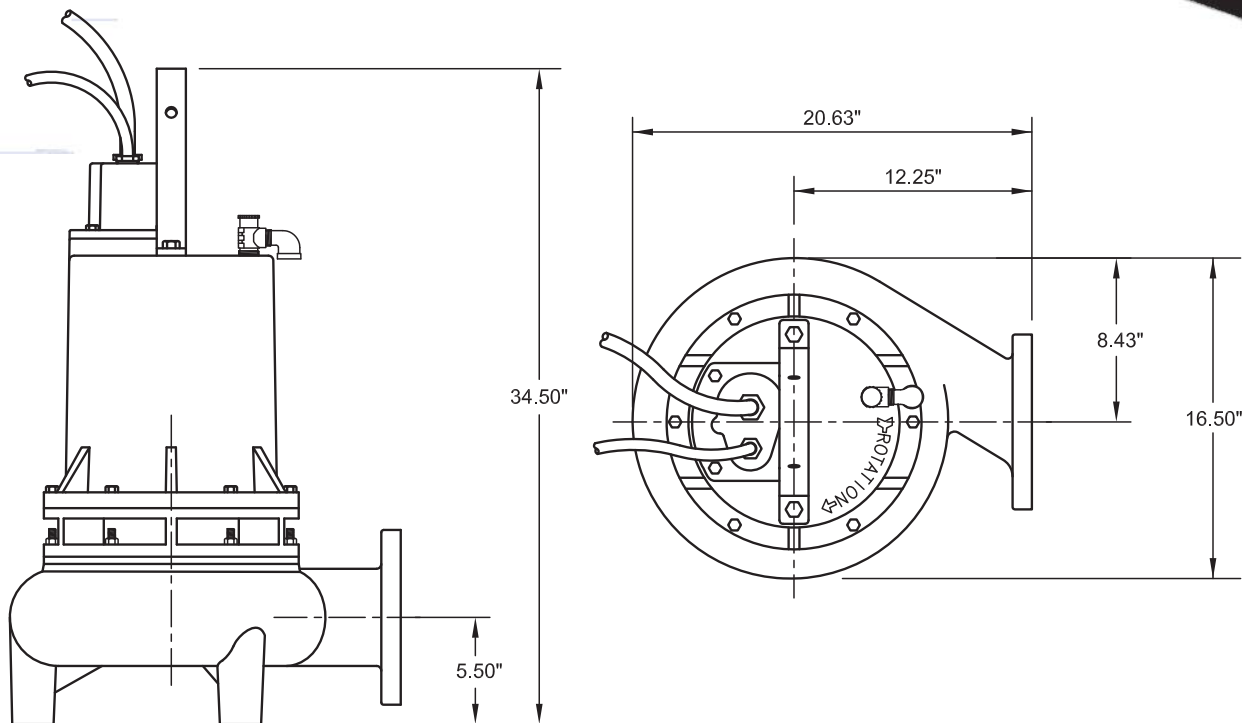


**CP4NC4524, CP4NC4534,
CP4NC4544, CP4NC4564,
CP4NC4564, CP4NC7524,
CP4NC7534, CP4NC7544,
CP4NC7564, CP4NC11334,
CP4NC11344, CP4NC11364,
CP4NC15034, CP4NC15044**

1750RPM, 60Hz

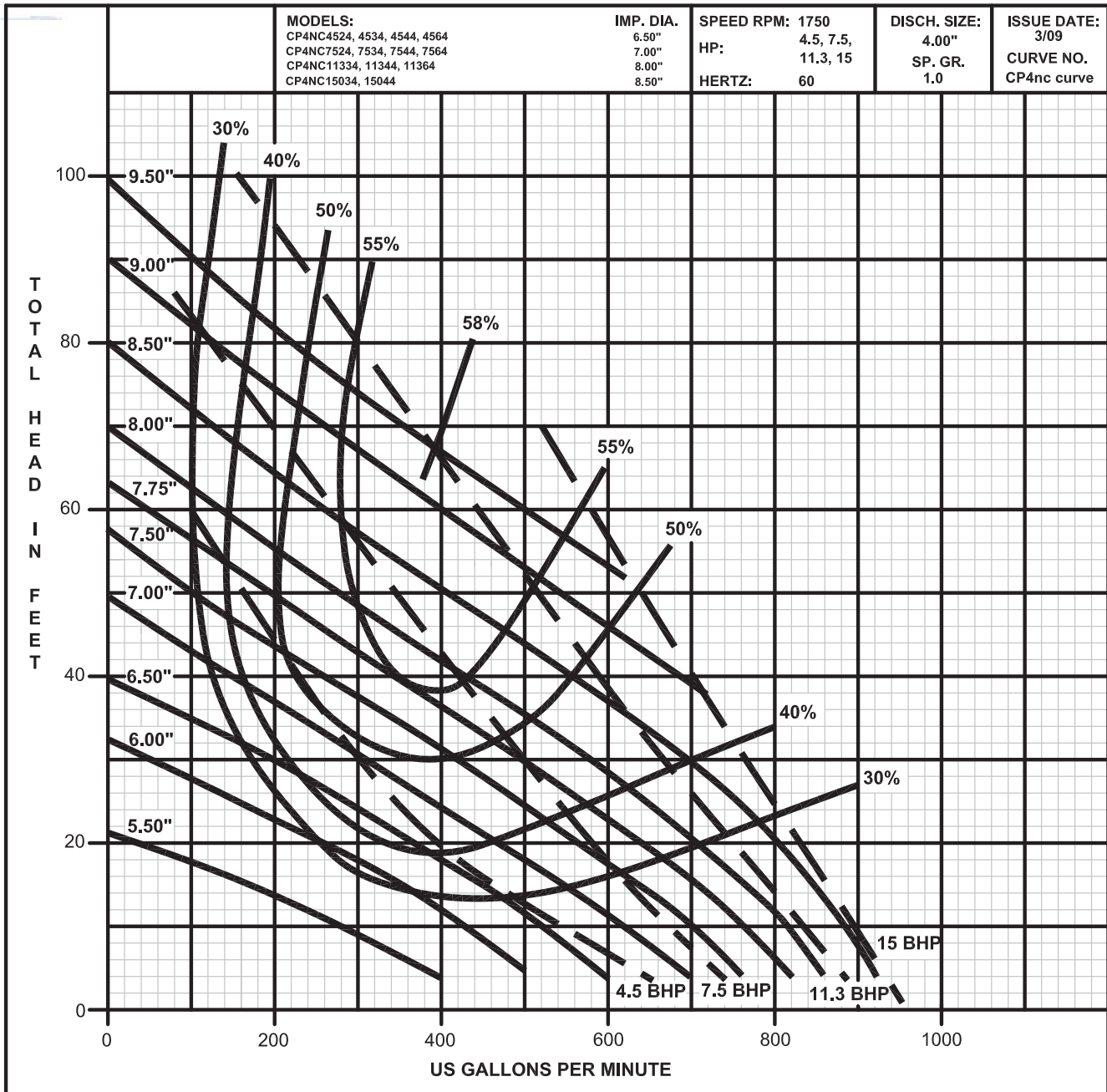
Description

Submersible non-clog sewage pump designed for typical raw sewage applications.



MODEL	HP	Volt/PH	Hz	RPM (Nom)	NEMA Start Code	Full Load Amps	Locked Rotor Amps	Cord Size	Cord Type	Cord O.D inch
CP4NC4524	4.5	230/1	60	1750	A	26.0	59.0	10/4	SOW	0.750
CP4NC4534	4.5	230/3	60	1750	E	18.2	56.0	10/4	SOW	0.750
CP4NC4544	4.5	460/3	60	1750	E	9.1	28.0	10/4	SOW	0.750
CP4NC4564	4.5	200/3	60	1750	C	20.9	48.6	10/4	SOW	0.750
CP4NC7524	7.5	230/1	60	1750	A	39.0	96.0	6/4	SOW	1.060
CP4NC7534	7.5	230/3	60	1750	D	26.8	80.0	8/4	SOW	0.830
CP4NC7544	7.5	460/3	60	1750	D	13.4	40.0	8/4	SOW	0.830
CP4NC7564	7.5	200/3	60	1750	B	30.8	69.5	8/4	SOW	0.830
CP4NC11334	11.3	230/3	60	1750	D	28.0	126.0	8/4	SOW	0.830
CP4NC11344	11.3	460/3	60	1750	D	14.0	63.0	8/4	SOW	0.830
CP4NC11364	11.3	200/3	60	1750	B	32.2	109.5	8/4	SOW	0.830
CP4NC15034	15	230/3	60	1750	D	38.0	160.0	6/4	SOW	1.060
CP4NC15044	15	460/3	60	1750	D	19.0	80.0	6/4	SOW	1.060

Winding resistance \pm 5% at terminal block. Rated operation at \pm 10% voltage at motor.
Moisture/Temperature sensor cable for all models is 18/5 SOW, 0.476 inch O.D.



www.championpump.com

**Champion
Pump**

www.championpump.com

Champion Pump Company, Inc • P.O. Box 528 • Ashland, OH 44805
Phone 419-281-4500 • toll free 800-659-4491 • fax 419-616-1100