

## A/B/C Wireless Selection

To allow for more than one weather station and wireless sensor network to be used in close proximity, the main unit and all 3 wireless sensors have a small switch labeled "A B C" near or in the battery compartments. These switches are all factory preset into the same position (either A, B, or C). This switch selects one of 3 wireless modes to use, and all 4 switches in all 4 components **MUST** be set in matching positions (either A, B, or C) for wireless communication to take place successfully.

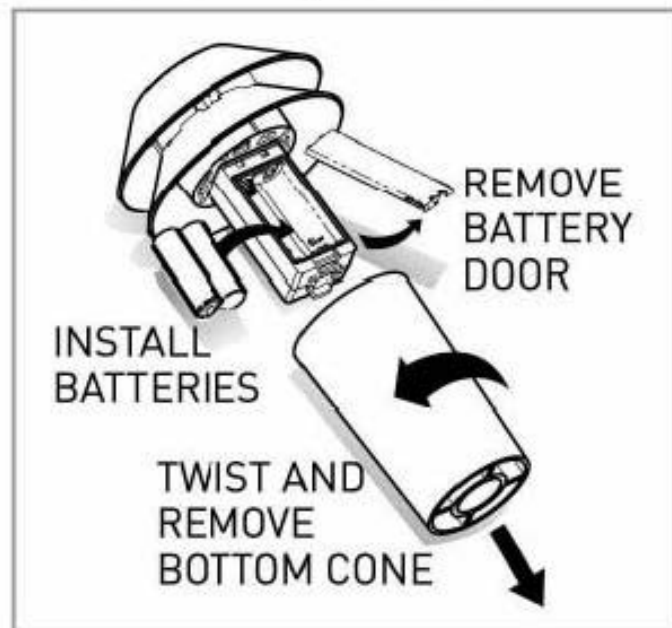
## Install Batteries

Batteries must be installed into all three of the wireless sensors **BEFORE** installing batteries into the main display unit. Use only fresh or new batteries in all cases, and install correctly according to the polarity ( - & + ) symbols marked on the batteries and in the battery compartments. We suggest using lithium batteries for better cold weather performance. Do not mix old and new batteries.

## Wireless Temperature & Humidity Sensor

### INSTALL BATTERIES:

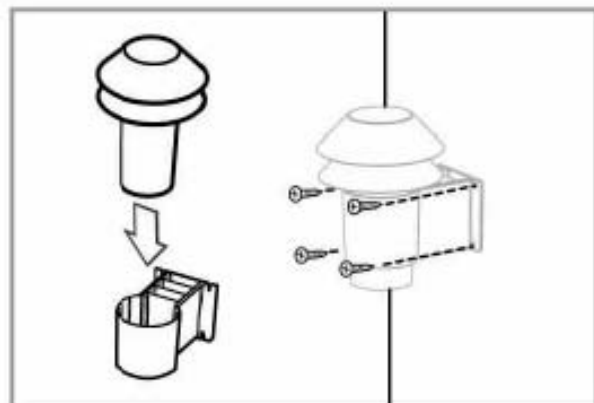
1. Twist and remove larger bottom cone section.
2. Remove the battery door and set aside.
3. Install 2 "AA" batteries into the battery compartment.
4. Replace the battery door and replace and twist the bottom cone section.



## Wireless Temperature & Humidity Sensor

### PLACEMENT

1. Attach the temperature & humidity sensor to the mounting bracket by simply sliding into the bracket.



## 2. Attach to a solid vertical

surface out of direct sunlight for maximum performance. Attach the mounting bracket utilizing the included screws and wall anchors (if applicable). Depending on the mounting surface, other steps may need to take place to ensure the sensor is mounted successfully.

Alternatively, the wireless temperature sensor may be mounted onto a PVC pole. See "Alternative Mounting Option" later in this section.

## About the Atomic Clock

A clock is considered atomic if it has an accuracy of one second in a million years. Consumer clocks are considered atomic if they attain this accuracy by receiving a signal from an atomic clock. In North America, the National Institute of Standards and Technologies operates an atomic clock in Colorado which transmits the time codes via the radio station WWVB. The signal is transmitted in a very low frequency (60,000 Hz). The Acurite clock you have purchased includes a built-in receiver which picks up the signal from the WWVB station. NOTE: Due to solar radiation in the atmosphere, the atomic clock signal is weak during the day. Most synchronization with the WWVB atomic clock signal happens at night when there is less interference.

## Measurement Ranges

### Temperature

Main Unit Temperature: 32°F to 122°F / 0°C to 50°C

Wireless Sensors:

temperature sensor: -40°F to 158°F / -40°C to 70°C

humidity sensor: 16% RH to 99% RH

wind sensor: up to 99 mph / 159 Kph (depending on conditions)

rainfall collector sensor: 0 to 99.99 inches / 2539 mm

## Specifications

### Power Requirements

Main Unit: 3 x "AA" alkaline or lithium batteries or AC power Adaptor

Wireless Sensors:

temperature & humidity sensor: 2 x "AA" alkaline or lithium (recommended) batteries

wind sensor: 2 x "AA" alkaline or lithium (recommended) batteries

rainfall collector sensor: 2 x "AA" alkaline or lithium (recommended) batteries

### Wireless Communication

Radio Frequency: 433 mhz

Transmission Intervals: every 16 seconds

### Atomic Clock

Frequency: WWVB 60Khz

Synchronizes Daily

**SAFETY:**

DAMAGE CAUSED BY FAILURE TO COMPLY WITH THIS INSTRUCTION MANUAL WILL INVALIDATE ANY MANUFACTURER GUARANTEE. THE MANUFACTURER AND SUPPLIER WILL NOT BE HELD LIABLE FOR DAMAGES DUE TO FAILURE TO COMPLY WITH THIS INSTRUCTION MANUAL OR FROM DATA INACCURACIES THAT MAY OCCUR WITH THIS PRODUCT.

IN CASE OF HARM OR DAMAGE TO A PERSON OR PROPERTY CAUSED BY IMPROPER HANDLING OR FAILURE TO COMPLY WITH THIS INSTRUCTION MANUAL, THE MANUFACTURER AND SUPPLIER CANNOT BE HELD LIABLE.

- **Inserting batteries in an incorrect polarity will cause damage to this weather station and remote sensors.**
- **Do not dispose of new or used batteries in a fire as they may explode or could release dangerous chemicals.**
- **Please participate in the preservation of the environment by properly disposing of all discarded batteries in designated disposal receptors.**
- **Do not subject the main unit or remote sensors to excessive force, shock, dust, temperature or humidity, as these conditions may shorten the life of the main unit and/or remote sensors.**
- **To operate main unit and remote sensors, use only recommended battery types.**
- **Altering the main unit or remote sensors in any way is strictly prohibited.**
- **Do not leave discharged batteries in the device as these may corrode and/or release chemicals that may damage this product.**
- **This product is not to be used for medical, commercial or public purposes.**
- **This product is not a toy and should be kept out of reach of children.**

ALWAYS USE PROPER TOOLS AND MOUNT/PLACE SENSORS IN AREAS THAT WILL BE SAFE TO YOURSELF AND OTHERS. SEEK PROFESSIONAL ASSISTANCE IN MOUNTING/PLACING THE WIRELESS SENSORS AND FOLLOW YOUR LOCAL LAWS AND REGULATIONS WHEN CHOOSING A MOUNTING/PLACEMENT LOCATION FOR THE WIRELESS SENSORS

**PLEASE DISPOSE OF OLD OR DEFECTIVE BATTERIES IN AN ENVIRONMENTALLY SAFE WAY AND IN ACCORDANCE WITH YOUR LOCAL LAWS AND REGULATIONS.**

**BATTERY SAFETY:** Follow the polarity (+/-) diagram in the battery compartment. Promptly remove dead batteries from the device. Dispose of used batteries properly. Only batteries of the same or equivalent type as recommended are to be used. DO NOT incinerate used batteries. DO NOT dispose of batteries in fire, as batteries may explode or leak. DO NOT mix old and new batteries or types of batteries (alkaline/standard). DO NOT use rechargeable batteries. DO NOT recharge non-rechargeable batteries. DO NOT short-circuit the supply terminals.

**ACURITE**  
DESIGNED TO WORK FOR YOU<sup>®</sup>**Product Registration**

To receive product information, register  
your product online. It's quick and easy!

Log on to [http://www.chaneyinstrument.com/product\\_reg.htm](http://www.chaneyinstrument.com/product_reg.htm)

## **FCC statement**

This equipment has been tested and found to comply with the limits for a Class B digital device, pursuant to Part 15 of the FCC Rules. These limits are designed to provide reasonable protection against harmful interference in a residential installation. This equipment generates, uses and can radiate radio frequency energy and if not installed and used in accordance with the instructions, may cause harmful interference to radio communications. However, there is no guarantee that interference will not occur in a particular installation. If this equipment does cause harmful interference to radio or television reception, which can be determined by turning the equipment off and on. The user is encouraged to try to correct the interference by one of the following measures:

- Reorient or relocate the receiving antenna.

- Increase the separation between the equipment and receiver.

- Connect the equipment into an outlet on a circuit different from that to which the receiver is connected.

- Consult the dealer or an experienced radio/TV technician for help. To assure continued compliance, any changes or modifications not expressly approved by the party responsible for compliance could void the user's authority to operate this equipment. (Example- use only shielded interface cables when connecting to computer or peripheral devices).

## **FCC Radiation Exposure Statement**

This equipment complies with Part 15 of the FCC Rules. Operation is subject to the following two conditions:

- (1) This device may not cause harmful interference, and
- (2) This device must accept any interference received, including interference that may cause undesired operation.