




Set Up Your Connection

- Launch your Web browser and type <http://my.firewall> in the address bar.
- Choose a password for the default system administrator login (admin), and use it to log in.

 **Note:** Pop-ups must always be **allowed** on the browser you use for configuration. If your browser is configured to use a proxy server make sure **my.firewall** is included in the browser's exceptions list.



- After logging in for the first time the **Setup Wizard** will launch automatically. If, at a later time, you wish to return to the configuration wizard, click on **Setup** and choose **Setup Wizard**.
- The wizard will guide you through the connection setup process. Fill in the required information, as provided by your service provider or system administrator.



Software Updates & Technical Support

- Please refer to the Check Point UTM-1 Edge User Guide.



Warning: Do not block air vents. A minimum 5cm clearance is required. Do not stack appliances.



Warning: Danger of explosion if battery is incorrectly replaced. Dispose used batteries according to the manufacturer's instructions

For additional technical information, visit the Check Point Support Center (<http://supportcenter.checkpoint.com>).

Use of this product is subject to the enclosed license agreement.
Use of the product constitutes your agreement to these terms and conditions.
©2003-2012 Check Point Software Technologies, Ltd. All rights reserved.

UTM-1 Edge™ NW ADSL Getting Started Guide SBXN-200WDE-3

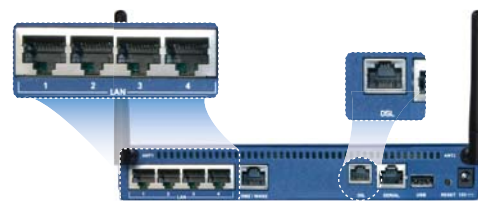
Power Up Your Check Point UTM-1 Edge NW ADSL Appliance

- Connect the power cable to the power port on the UTM-1 Edge NW appliance rear panel and plug it into a power outlet.
- The Power LED (PWR) will turn green indicating the appliance is powered on.
- The System LED (SYS) on the front panel will start blinking green rapidly, indicating the appliance is now booting.
- Carefully screw the two supplied antennas onto the antenna connectors marked ANT1 and ANT2 located on the appliance's rear panel.

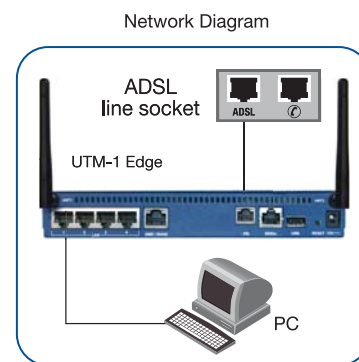


Connect Your Network

- Connect one end of your network cable to one of the four UTM-1 Edge NW LAN ports and the other end to your PC. If you have additional PCs or other network devices you can connect them to other LAN ports. A network hub or a switch can be employed to connect more than four devices to the appliance.
- A corresponding LAN LED will light up, indicating each connected device.
- Connect one end of the telephone cable provided with your UTM-1 Edge appliance to the DSL port on the rear panel of your UTM-1 Edge appliance, and the other end to the ADSL line socket, as shown in the figure below.
- The DSL LNK and DAT LEDs will light up indicating a proper connection to the DSL line.



Important Note: You must have a microfilter connected to each socket on the line the ADSL is enabled, even if you will not connect the ADSL modem to that socket. Consult your ADSL Service Provider for more information.



Configuring Your PC

- Initial setup must be done from a computer connected to the appliance's LAN interface via Ethernet cable. After completing the initial connection, the Setup Wizard will guide you through the process of configuring your wireless network.

Before continuing make sure all your PCs are configured correctly.

For Windows XP operating system:

- Click > Settings > Control Panel > Network Connections. Double-click Local Area Connection.

- In the **General** tab, click **Properties**.

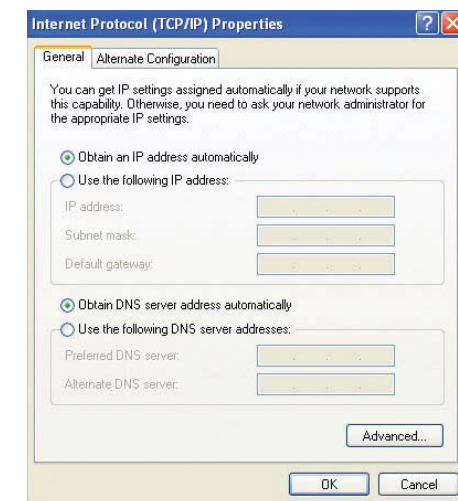
- Select **Internet Protocol (TCP/IP)**. Select **Properties**.

- Select **Obtain an IP address automatically**.

- Select **Obtain DNS server address automatically**.

- Click **OK** and close the dialog boxes.

- If prompted to restart your PC, click **Yes**.



Note: The configuration process varies between operating systems. If you are using Windows 7, Windows Vista, Linux, a MAC OS or another operating system, please consult your system administrator or contact our support team.



FCC Warning Statement

This equipment has been tested and found to comply with the limits for a class B digital device, pursuant to part 15 of the FCC Rules. These limits are designed to provide reasonable protection against harmful interference in a residential installation.

This equipment generates, uses and can radiate radio frequency energy and, if not installed and used in accordance with the instructions, may cause harmful interference to radio communications. However, there is no guarantee that interference will not occur in a particular installation. If this equipment does cause harmful interference to radio or television reception, which can be determined by turning the equipment off and on, the user is encouraged to try to correct the interference by one or more of the following measures:

- Reorient or relocate the receiving antenna.
- Increase the separation between the equipment and receiver.
- Connect the equipment into an outlet on a circuit different from that to which the receiver is connected.
- Consult the dealer or an experienced radio/TV technician for help.

This device complies with Part 15 of the FCC Rules. Operation is subject to the following two conditions:

- This device may not cause harmful interference.
- This device must accept any interference received, including interference that may cause undesired operation.

Installation and use of this Wireless LAN device must be in strict accordance with the instructions included in the user documentation provided with the product. Any changes or modifications (including the antennas) made to this device that are not expressly approved by the manufacturer may void the user's authority to operate the equipment. The manufacturer is not responsible for any radio or television interference caused by unauthorized modification of this device, or the substitution of the connecting cables and equipment other than manufacturer specified. It is the responsibility of the user to correct any interference caused by such unauthorized modification, substitution or attachment. Manufacturer and its authorized resellers or distributors will assume no liability for any damage or violation of government regulations arising from failing to comply with these guidelines.

FCC RF Radiation Exposure Statement:

- This Transmitter must not be co-located or operating in conjunction with any other antenna or transmitter.
- This equipment complies with FCC RF radiation exposure limits set forth for an uncontrolled environment. This equipment should be installed and operated with a minimum distance of 20 centimeters between the radiator and your body.

b. FCC Part 15.21 information for user

You are cautioned that changes or modifications not expressly approved by the party responsible for compliance could void your authority to operate the equipment.