



MOTOMANUAL

Motorola RCKT

526648-001-00
526649-001-00
529185-001-00



User's Guide

DRAFT

iRadio

- Make sure Motorola RCKT dip-switch is set correctly for the car radio : switch 2 “on” all others “off” for Car Stereo ◦

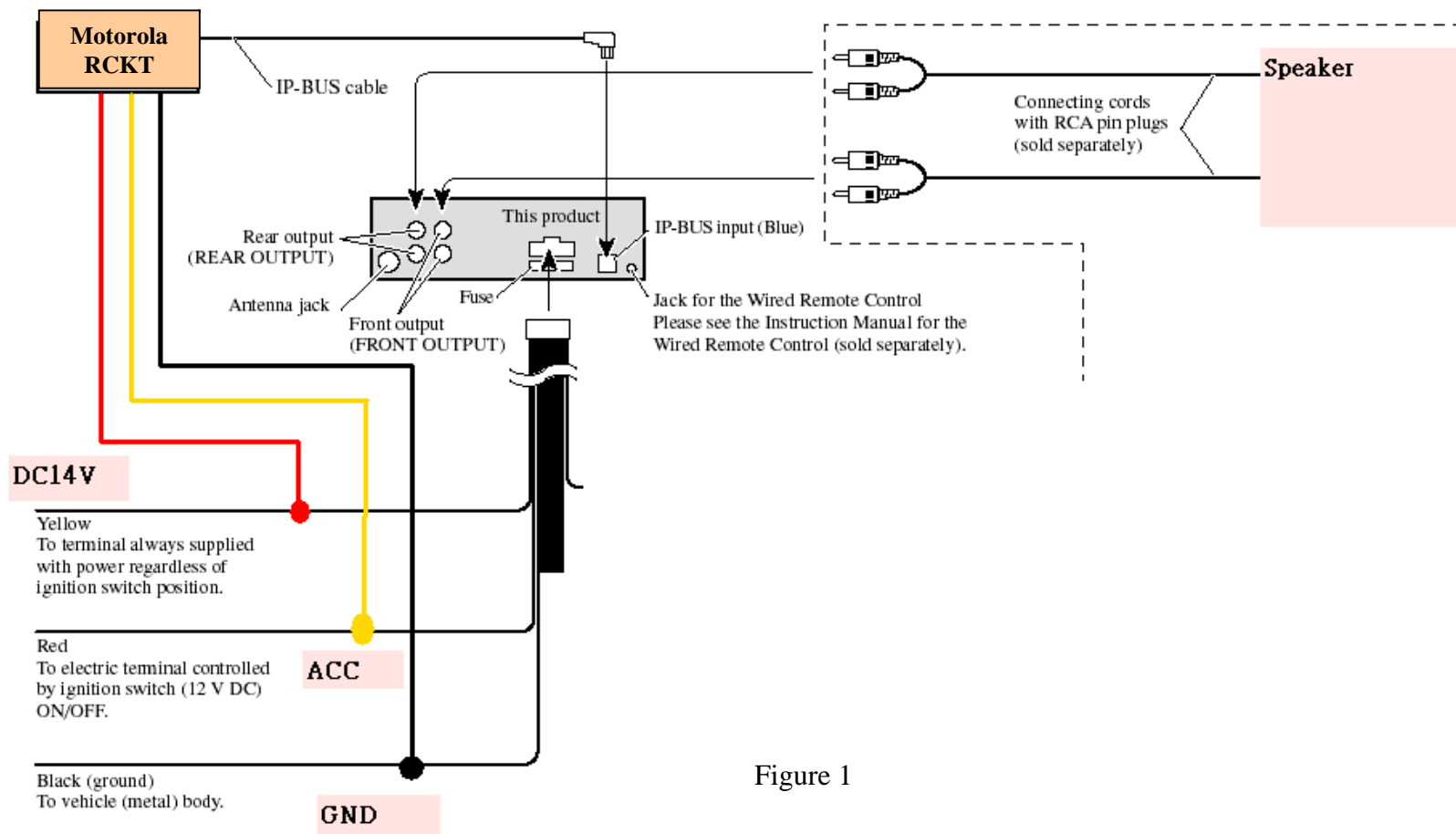


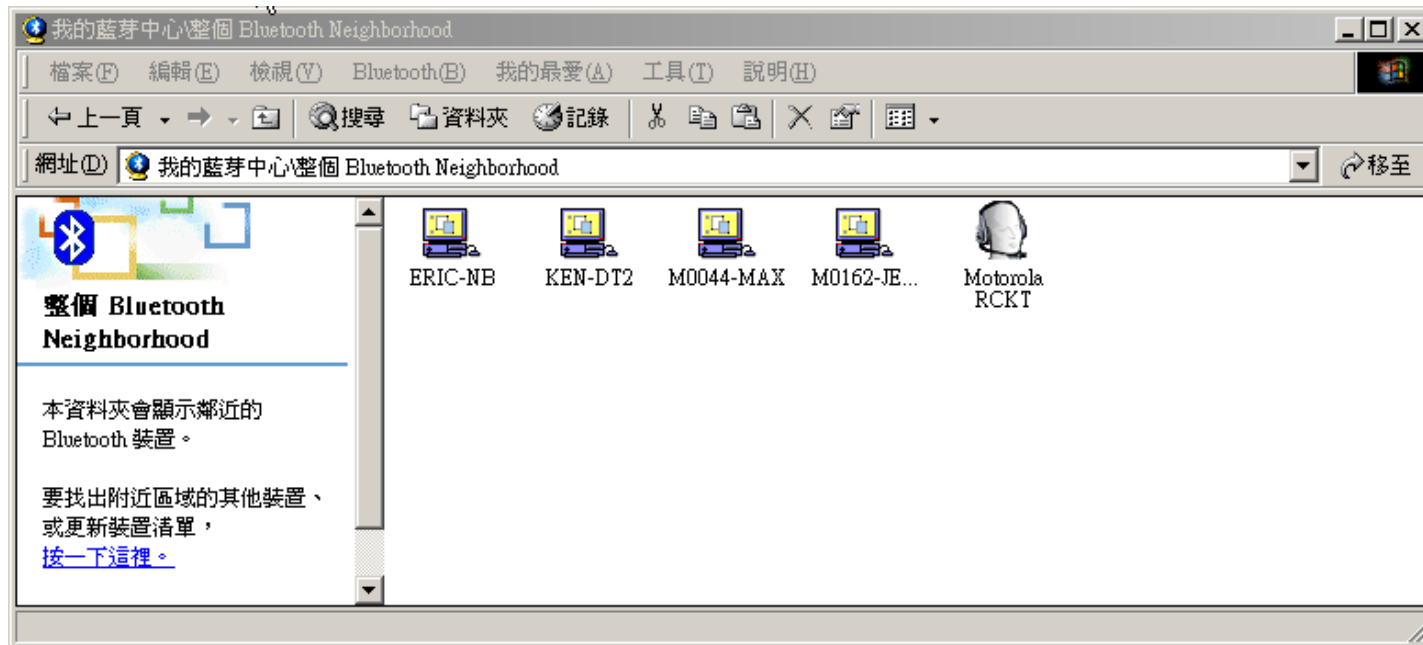
Figure 1

iRadio


- Power up unit with Vbatt (Pin10 of JS1) = 14V ◦
- Measure current on Vbatt (Pin10 of JS1) line (this is standby current) ◦
- Connect ACC (Pin11 of JS1) pin to 14V ◦ ACC (Pin11 of JS1) pin on Motorola RCKT and ACC pin on stereo should be connected together ◦
- Plug Bluetooth Dongle on testing PC ◦

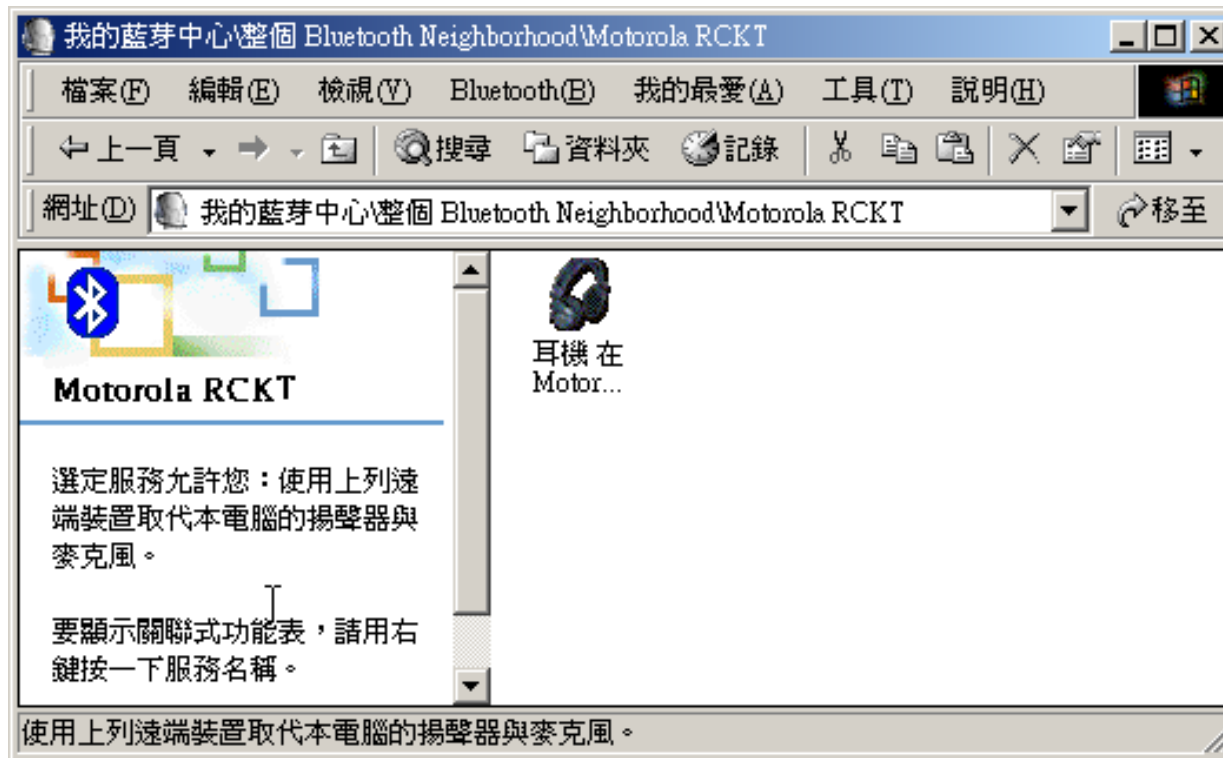
iRadio

- To search Bluetooth Device , and double click



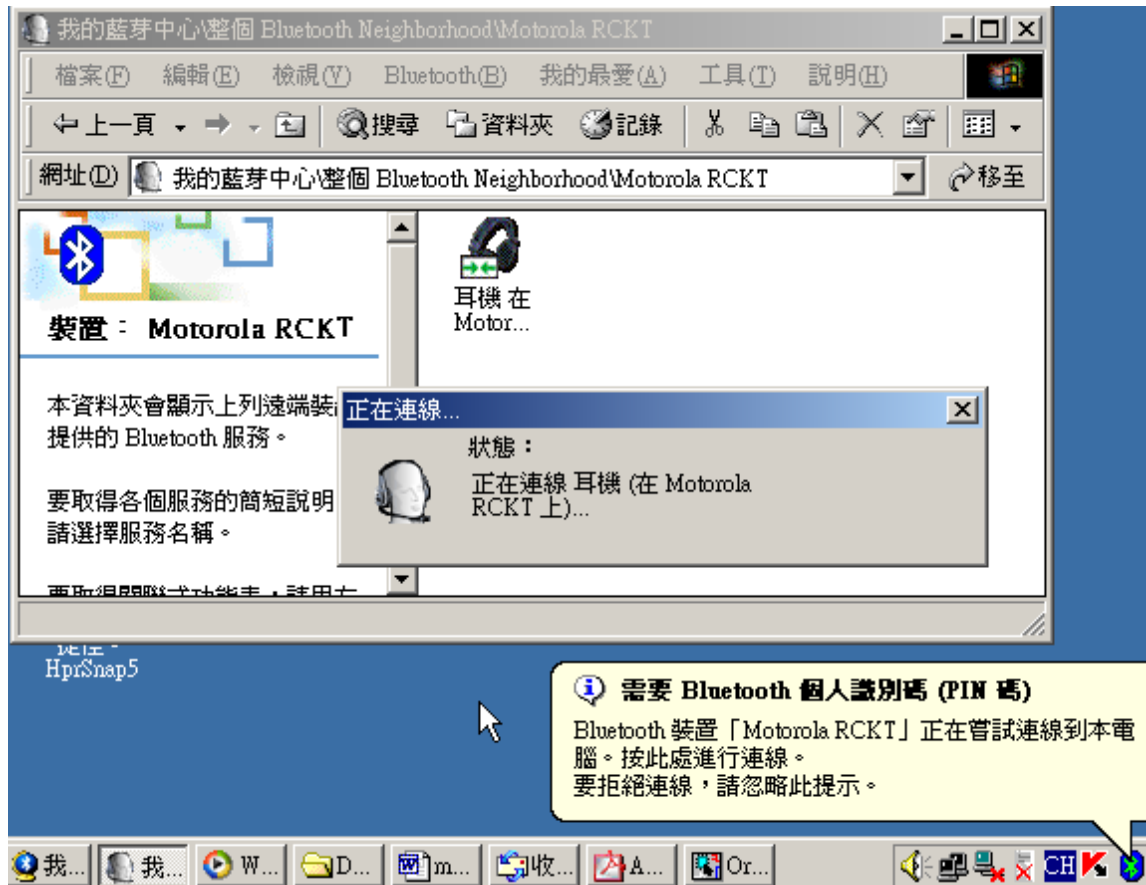
iRadio

- Double click  耳機在 Motor...



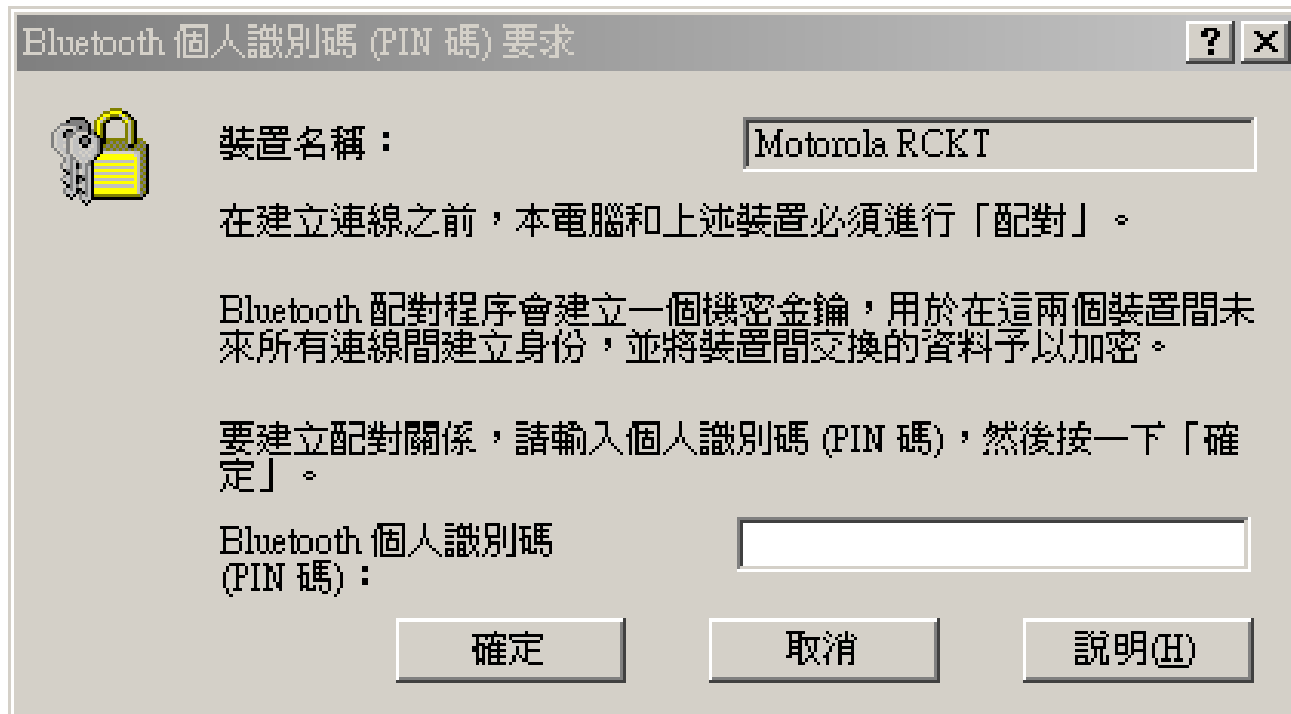
iRadio

- Software require to key in PIN code (default : 4444 or 0000)



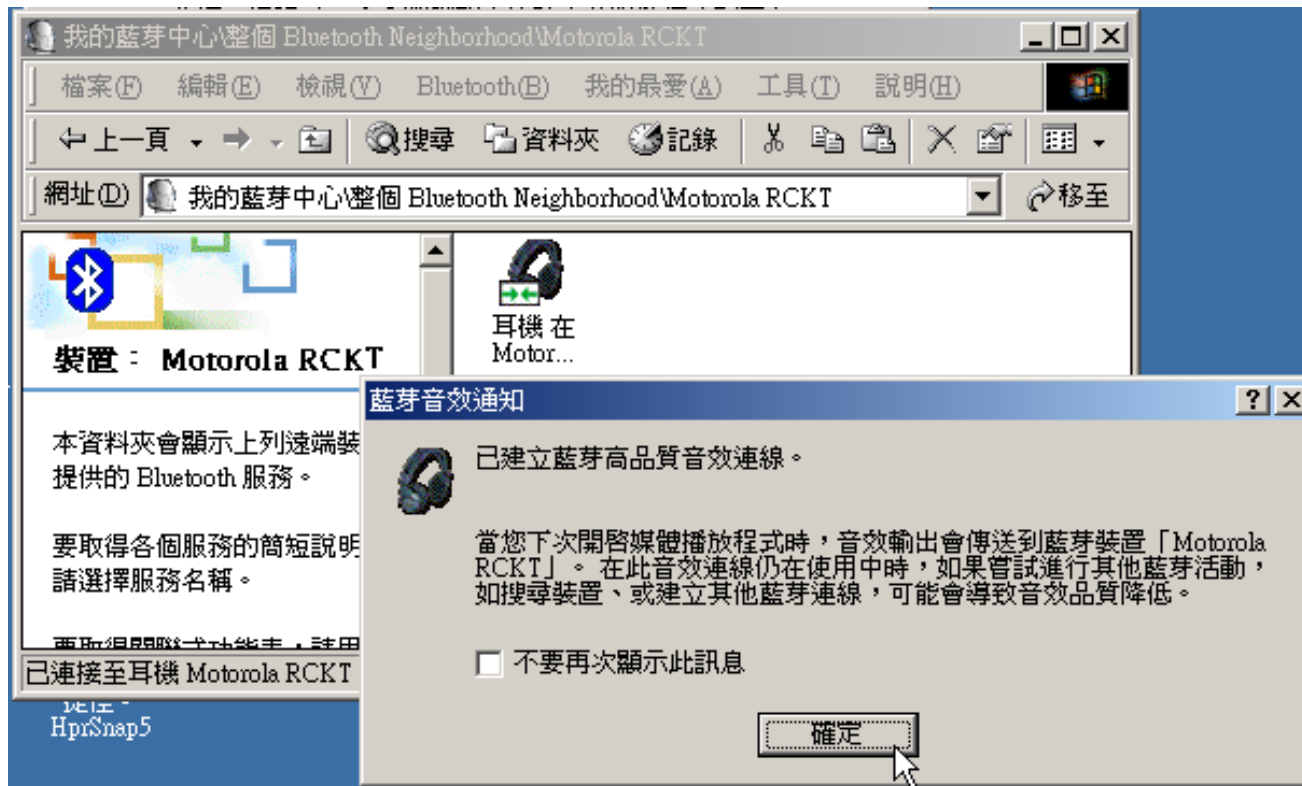
iRadio

- Key in 4444 or 0000

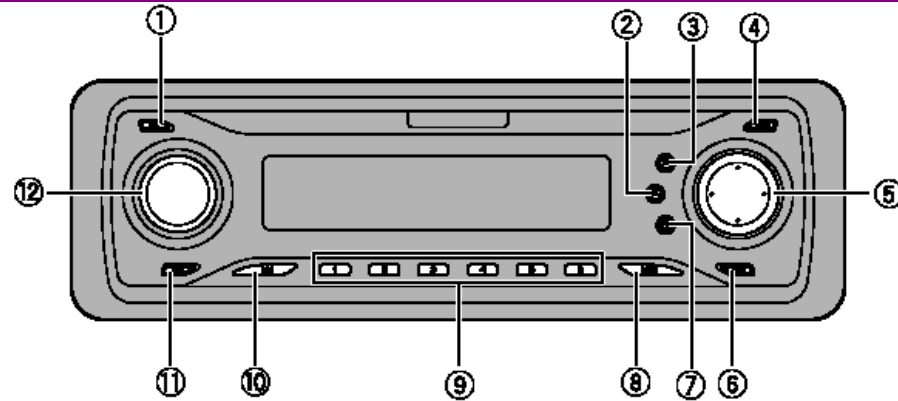


iRadio

- PC shows High Quality audio Stereo connection built , Press “OK”




iRadio



Head unit

- ① **CLOCK button**
Press to change to the clock display.
- ② **AUDIO button**
Press to select various sound quality controls.
- ③ **FUNCTION button**
Press to select functions.
- ④ **OPEN button**
Press to open the front panel.
- ⑤ **▲/▼/◀/▶ buttons**
Press to do manual seek tuning, fast forward, reverse and track search controls. Also used for controlling functions.
- ⑥ **LOUDNESS button**
Press to turn loudness on or off.
- ⑦ **EQ button**
Press to select various equalizer curves.
- ⑧ **BAND button**
Press to select among three FM bands and one AM band and to cancel the control mode of functions.

- ⑨ **1-6 buttons**
Press for preset tuning and disc number search when using a multi-CD player.
- ⑩ **SOURCE button**
This unit is turned on by selecting a source. Press to cycle through all the available sources.
- ⑪ **DISPLAY button**
Press to select different displays.
- ⑫ **VOLUME**
When you press **VOLUME**, it extends outward so that it becomes easier to turn. To retract **VOLUME**, press it again. Rotate it to increase or decrease the volume. 

Remote control

Operation is the same as when using the buttons on the head unit. See the explanation of the head unit about the operation of each button with the exception of **ATT**, which is explained below.

- ⑬ **PAUSE button**
Press to turn pause on or off.

iRadio

- Press SRC [Button (10)] to turn the Car stereo ON ◦
- Press SRC [Button (10)] to select source , Press **SRC** repeatedly to switch between the following source ◦

CD→TUNER→XM Tuner

- ▲ If the Motorola RCKT is functioning properly , the radio will allow the user to go into XM mode ◦

iRadio

- Verify Motorola RCKT is communicating with car stereo by observing display on stereo :
 - ▲ When mobile phone in pairing, power on the car stereo , the Car stereo LCD shows “**Search**”
 - ▲ Motorola RCKT BT link connected , and the car stereo LCD shows “**Ready**” ◦
 - ▲ Motorola RCKT BT link disconnect , and the car stereo LCD shows “**no phone**” ◦

iRadio

- Button 1 ~ 6 on location (9) of Car stereo

There are two test condition , one is Motorola RCKT connecting with BT Dongle,the other is connecting with Mobil Phone

(a) In case of connecting with BT Dongle :

we can only play and pause music by using either button #1 or #2 of Car Stereo radio (button #number from left to right)

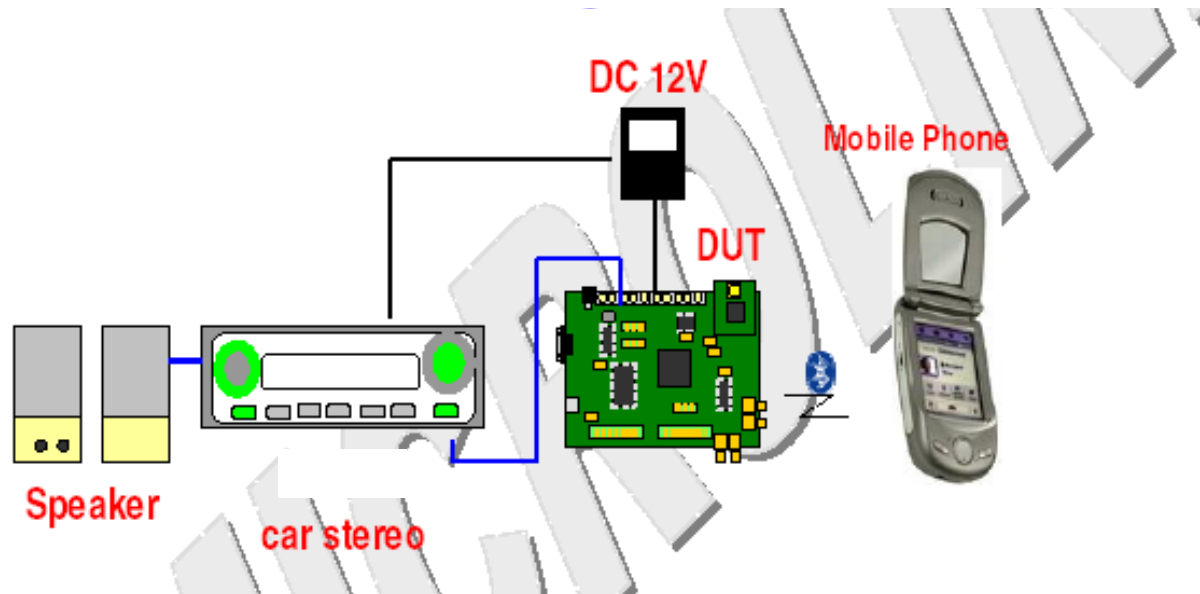
(b) In case of connecting with Mobil Phone

we can play and pause music by using button #1 and #2 of Car Stereo radio

iRadio

- Play either stereo audio or a test tone in both channels ◦

Motorola RCKT Manufacturing Test Architecture (PIE)



iRadio

- Dial — up phone to Mobil Phone , pick up a incoming call on Mobil Phone , talk to each other ◦

Make a outgoing call on Mobil Phone , talk to each other ◦

Auto Connect / Disconnect — Changing in and out of XM mode should force a connection and disconnection between the Motorola RCKT and the phone ◦



iRadio

FCC Notice to Users

Users are not permitted to make changes or modify the device in any way. Changes or modifications not expressly approved by the party responsible for compliance could void the user's authority to operate the equipment. See 47 CFR Sec. 15.21.

This device complies with part 15 of the FCC Rules. Operation is subject to the following two conditions: (1) This device may not cause harmful interference, and (2) this device must accept any interference received, including interference that may cause undesired operation. See 47 CFR Sec. 15.19(3).

This equipment has been tested and found to comply with the limits for a Class B digital device, pursuant to Part 15 of the FCC Rules. These limits are designed to provide reasonable protection against harmful interference in a residential installation. This equipment generates, uses and can radiate radio frequency energy and, if not installed and used in accordance with the instructions, may cause harmful interference to radio communications. However, there is no guarantee that interference will not occur in a particular installation. If this equipment does cause harmful interference to radio or television reception, which can be determined by turning the equipment off and on, the user is encouraged to try to correct the interference by one of the following measures:

- Reorient or relocate the receiving antenna.
- Increase the separation between the equipment and receiver.
- Connect the equipment into an outlet on a circuit different from that to which the receiver is connected.
- Consult the dealer or an experienced radio/TV technician for help.

The antenna(s) used for this transmitter must not be co-located or operating in conjunction with any other antenna or transmitter.

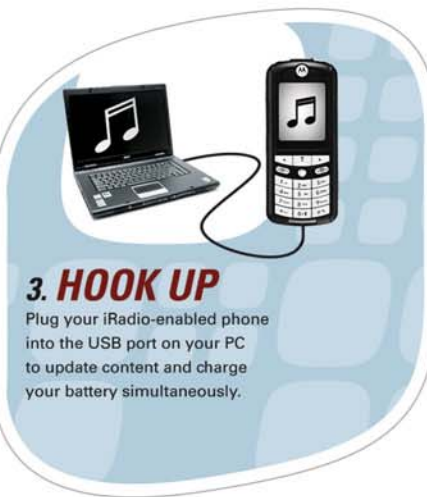
FCC Caution

1. The device complies with Part 15 of the FCC rules. Operation is subject to the following two conditions:
 - (1) This device may not cause harmful interference.
 - (2) This device must accept any interference received, including interference that may cause undesired operation.

2. FCC RF Radiation Exposure Statement: The equipment complies with FCC RF radiation exposure limits set forth for an uncontrolled environment. This equipment should be installed and operated with a minimum distance of 20 centimeters between the radiator and your body.

3. This Transmitter must not be co-located or operating in conjunction with any other antenna or transmitter.

4. Changes or modifications to this unit not expressly approved by the party responsible for compliance could void the user authority to operate the equipment.



IGNITED MINDS
4499 Glencoe Avenue
Marina del Rey, California 90292
T 310.754.3200 F 310.754.3201
www.ignitedminds.com

Motorola
CLIENT
10.19.05
DATE

iRadio
PROJECT TITLE
Quick Start Guide
COMPONENT

MOT-IRAD_QuickStart_Gd_R1.indd
FILE NAME
100%
PERCENT OF ACTUAL SIZE

MOT-IRAD-PP3
JOB CODE
Comp
COMP OR MECHANICAL

R1
CONCEPT NUMBER