

## 14 Allgemeiner Anwenderhinweis

Cherry optimiert seine Produkte ständig im Zuge der Entwicklung von neuen Technologien. Technische Änderungen behalten wir uns deshalb vor. Die Ermittlung der Zuverlässigkeit sowie die Definition von technischen Angaben erfolgen gemäß Cherry-interner Prüfung, um international anerkannte Vorschriften bzw. Normen zu erfüllen. Davon abweichende Anforderungen können durch gegenseitige Zusammenarbeit erfüllt werden. Unsachgemäße Behandlung, Lagerung und äußere Einflüsse können zu Störungen und Schäden im Einsatz führen.

Wir übernehmen keinerlei Gewährleistung für Mängel, die auf einer anwenderseitigen Veränderung des Produkts beruhen, und haften nicht im Falle unbefugter Veränderungen. Alle Reparaturen müssen durch Cherry oder eine offiziell berechnigte Person oder Organisation durchgeführt werden. Bei unsachgemäßem Austausch der optional eingesetzten Lithiumbatterie besteht Explosionsgefahr! Etwaige Schadensersatzansprüche gegen Cherry oder seine eingesetzten Vertreter – gleich aus welchem Rechtsgrund (einschließlich stressbedingte körperliche Schäden) – sind ausgeschlossen, soweit uns nicht Vorsatz, grobe Fahrlässigkeit oder die Nichtbeachtung zwingender Produkthaftungsbestimmungen treffen oder bei Verletzungen von Leben, Körper oder Gesundheit. Die vorliegende Anleitung ist nur gültig für das mitgelieferte Produkt.

Weitere Informationen darüber sind bei den jeweiligen Cherry Distributoren oder direkt über die Cherry GmbH erhältlich.

## 15 Zertifizierungszeichen

### 15.1 Federal Communications Commission (FCC) Radio Frequency Interference Statement

Information to the user: This equipment has been tested and found to comply with the limits for Class B digital device, pursuant to Part 15 of the FCC Rules. These limits are designed to provide reasonable protection against harmful interference in a residential installation. This equipment generates, uses and can radiate radio frequency energy and, if not installed and used in accordance with

the instructions, may cause harmful interference to radio communications. However, there is no guarantee that interference will not occur in a particular installation. If this equipment does cause harmful interference to radio or television reception, which can be determined by turning the equipment off and on, the user is encouraged to try to correct the interference by one or more of the following measures:

- Reorientate or relocate the receiving antenna.
- Increase the separation between the equipment and receiver.
- Connect the equipment into an outlet on a circuit different from that to which the receiver is connected.
- Consult the dealer or an experienced radio/TV technician for help.

### 15.3 CE-Konformitätserklärung



#### CE - Konformitätserklärung

#### CE - Declaration of Conformity

**Hersteller:** CHERRY GmbH  
 Manufacturer:

**Anschrift:** Cherrystraße  
 Address: D- 91275 Auerbach/Opf.

**Modellbezeichnung:** G- 208 (Art-Nr.:G85-208VVWWXXYYZ)  
 Model designation:


**Das bezeichnete Produkt stimmt mit den Vorschriften folgender Europäischer Richtlinien überein:**  
 The designated product is in conformity with the provisions of the following European Directives:

- |                       |  |
|-----------------------|--|
| <b>73 / 23 / EWG</b>  | <b>Richtlinie betreffend elektrische Betriebsmittel zur Verwendung innerhalb bestimmter Spannungsgrenzen</b> |
| 73 / 23 / EEC         | Council Directive relating to electrical equipment designed for use with in certain voltage limits           |
| <b>89 / 336 / EWG</b> | <b>Richtlinie über die elektromagnetische Verträglichkeit</b>  |
| 89 / 336 / EEC        | Council Directive relating to electromagnetic compatibility  |
| <b>99 / 5 / EWG</b>   | <b>Richtlinie über Funkanlagen und Kommunikationsendeinrichtungen</b>  |
| 99 / 5 / EEC          | Council Directive relating to radio equipment and telecommunications terminal equipment                      |

**Die Übereinstimmung wird nachgewiesen durch die vollständige Einhaltung nachfolgender europäischer Normen.**  
 The Conformity is proved by full compliance with the following European Standards.

<b>Referenznummer</b>	<b>Ausgabedatum</b>	<b>Referenznummer</b>	<b>Ausgabedatum</b>
Reference number	Date of Issue	Reference number	Date of Issue
EN 55022 (Class B)	2001-11	EN 61000-4-6	2001-12
EN 55024	1999-05		
EN 61000-4-2	2001-12	EN 300440 -2	2001-09
EN 61000-4-3	2001-12	EN 301489 -3	2002-08
EN 61000-4-4	2002-07		
EN 61000-4-5	2001-12	EN 60950	2003

08-Oct-04  
 Date / Datum

  
 W. Schrüfer  
 Director of Engineering



## Table of contents

1	Information available as hardcopy, direct help and on CD .....	14
2	Setting up the devices.....	14
3	Installation of the Cherry KeyM@n software.....	15
4	Recharging the batteries .....	16
5	Using the functions of the mouse.....	16
6	Encryption .....	17
7	Setting the transmission frequency .....	17
8	Setting the range.....	18
9	Returning the devices to their default state.....	18
10	Help in case of problems .....	19
11	Tips .....	19
12	Technical data.....	20
13	Support .....	22
14	General advice.....	23
15	Certification .....	23

## 1 Information available as hardcopy, direct help and on CD

Information on setup, operation and configuration can be obtained in these operating manual, as direct help and as additional information for the **KeyM@n** software.

- The quick-start instructions essentially describe setup of the device and software installation.
- The direct help is a component of the software included on the CD. It provides you with information on operation where you need it. It is called up via F1. You can also access it via **Start/Programs/Cherry Keyboard Manager/Documentation**.
- Additional information on operation and configuration of the **KeyM@n** software is available on the included CD (**CD-ROM/Manuals**). You can read the desired content on the screen or print it out here.

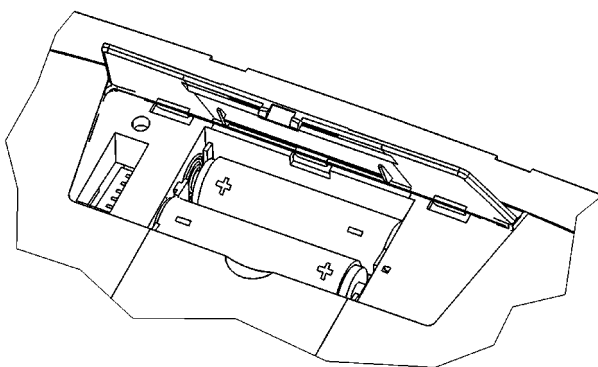
By supplying only the most essential information as a printout, we are reducing the unnecessary use of paper and thus making our contribution towards environmental protection.

Please observe the general user information and the license agreements.

## 2 Setting up the devices

### 2.1 Inserting the batteries

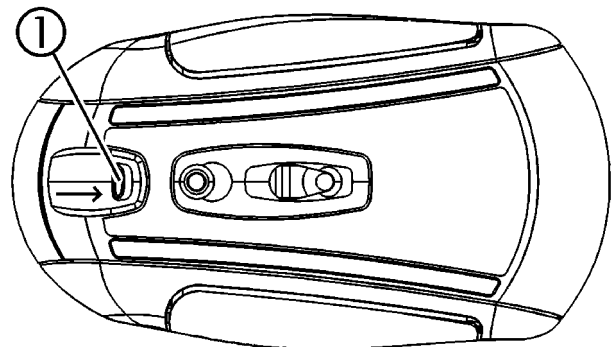
#### Inserting the batteries into the keyboard



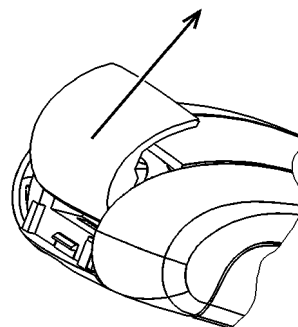
- 1 Open the battery compartment on the underside of the keyboard.

- 2 Insert both included rechargeable alkaline AA (LR6) batteries with the minus end towards the spring.
- 3 Close the battery compartment.

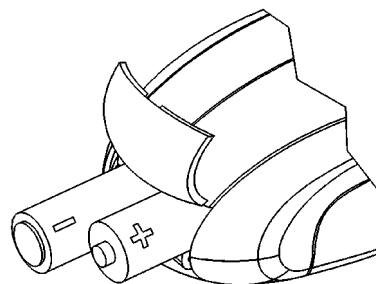
#### Inserting the batteries into the mouse



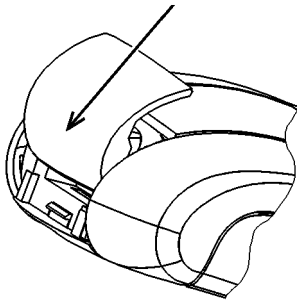
- 1 Press the latch ① on the underside of the mouse to the middle of the mouse.



- 2 At the same time, slide the cover of the battery compartment on the back of the mouse towards the top of the mouse.



- 3 Insert both included rechargeable alkaline AA (LR6) batteries in the battery compartment in accordance with the +/- markings.



- 4 Slide the cover of the battery compartment from the top of the mouse into the **side guides** until it locks.

## 2.2 Connecting the receiver to the PC

Thanks to the mini USB receiver, unnecessary cables from the USB port to the receiver have been eliminated.

- Insert the receiver into any USB port of your PC or of another device connected to the PC.

## 3 Installation of the Cherry KeyM@n software

The Cherry **KeyM@n** software is a powerful and extensive program. By using this software, you can assign links, programs, system functions and even any text you desire to the additional keys of the keyboard and mouse. You can thereby call up frequently used functions by pressing a key.

- First connect the device and then install the software.

### 3.1 Is software for a keyboard/mouse already installed on the PC?

If software for a keyboard/mouse from Cherry or another manufacturer is already installed on the PC, you should uninstall it first for safety purposes.

- Uninstall the software (via **Windows Start menu/Settings/Control Panel/Add/Remove Programs**).

### 3.2 Installing KeyM@n software in Windows 98/ME/2000/XP



#### Current Cherry KeyM@n software on the Internet

The Cherry **KeyM@n** software is constantly being developed and updated. The current version can be downloaded from CHERRY via the Internet: <http://support.cherry.de>

- 1 Place the Cherry CD in your CD-ROM drive. The CD-ROM starts automatically. The **Installation** window is displayed.
- 2 If the CD-ROM does not start automatically, double-click the CD-ROM drive in Windows Explorer and then the **Start.exe** start file. The **Installation** window is displayed.
- 3 Click on the Cherry product for which you would like to install the software. Installation begins.
- 4 Follow the installation instructions on the screen. The Cherry **KeyM@n** software is installed.

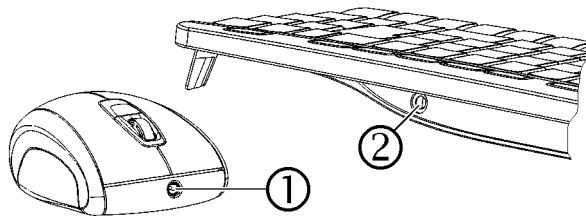


#### Running the Cherry KeyM@n software

You can run the Cherry **KeyM@n** software by the following means:

- Start/Programs/Cherry Keyboard Manager/Keyboard properties
- Start/Settings/Control Panel/Keyboard

## 4 Recharging the batteries



- 1 Insert the hollow connector of the charging cable into the socket on the back of the keyboard ② or on the front of the mouse ①. It does not matter whether the PC is switched on or off.
- 2 Plug the power plug of the power supply into an electrical outlet.  
You can continue working while charging is taking place.

### 4.1 Tips for charging the alkaline batteries

Completely charging the alkaline batteries takes approx. 4 hours. The charging circuit prevents overcharging.

You must charge the batteries when the LED on the receiver flashes (green = keyboard battery, red = mouse battery).



#### Charging of batteries in external charging unit

The use of an external charger is unnecessary as the keyboard/mouse batteries are charged via the charging cable.

Commercially-available chargers are not suitable for alkaline batteries.



#### Usable battery type

The charging electronics only function with rechargeable alkaline batteries (example: AccuCell AC 1800). No other batteries can be charged in the keyboard and mouse.

Rechargeable alkaline batteries have the following advantages:

- high capacity (1800 mAh)
- minimal self-discharge
- can be recharged at any time without the memory effect
- rechargeable several hundred times
- high output voltage (1.5 V)
- environmentally friendly due to less waste

## 5 Using the functions of the mouse



### Prerequisite for optimal use

Using the mouse on a bright, textured surface increases its effectiveness:

- optimum movement detection
- longer battery life

Reflective surfaces are not suitable for use with the mouse.

### 5.1 Using the increased power-save function of the mouse

The power-save function increases battery life by approx. 15 %. After 15 minutes of non-use, the power-save function switches off the optical sensor of the mouse. You must therefore press a mouse button to switch it on. In standard mode, moving the mouse is sufficient.

- 1 Remove the batteries from the mouse.
- 2 Keep the left and right mouse buttons pressed simultaneously and reinsert the batteries.  
Activation of the power-save function is confirmed by 10 flashes of the optical sensor of the mouse.



### Deactivating the power-save function

The power-save function is deactivated when you remove the batteries from the mouse. It must be reactivated each time after the batteries are removed.

---

## 5.2 Using the transport function of the mouse

The transport function of the mouse switches the mouse off and protects it from unintentional use.

- 1 Keep the left and right mouse buttons pressed simultaneously for 3 seconds.  
The mouse is switched off.
- 2 Keep the left and right mouse buttons pressed simultaneously again for 3 seconds.  
The mouse is switched on again.

## 6 Encryption

### 6.1 Activating encryption



### Encryption of the wireless transmission

The keyboard and mouse are ready for operation after being connected and are unencrypted at the factory.

---

You can conveniently activate encryption via the Cherry **KeyM@n** software or on the receiver.

- 1 Move the keyboard and mouse close to the receiver.  
If you do not perform the following measures within 50 seconds, setting is canceled.

- 2 Navigate to the **Wireless** tab of the Cherry **KeyM@n** software: **Start/Settings/Control Panel/Keyboard/Wireless**, click on the **CONNECT** button and follow the on-screen instructions.

– or –

- Press the button on top of the receiver until the green and red LEDs flash.
  - 3 On the underside of the keyboard, press the **CONNECT** button in the battery compartment with a pointed object until only the red LED flashes.  
A new channel is saved in the keyboard and receiver.
  - 4 Press the **CONNECT** button on the underside of the mouse until the red LED goes out.  
A new channel is saved in the mouse and receiver.
- 



### Deactivating encryption

Encryption is deactivated when you remove the batteries from the keyboard/mouse. It must be reactivated each time after the batteries are removed.

---

## 7 Setting the transmission frequency

The frequencies of the keyboard and mouse must match.

The devices are set to channel 17 at the factory. You will find the frequencies which can be set in 12.5 "Transmission frequencies".

---



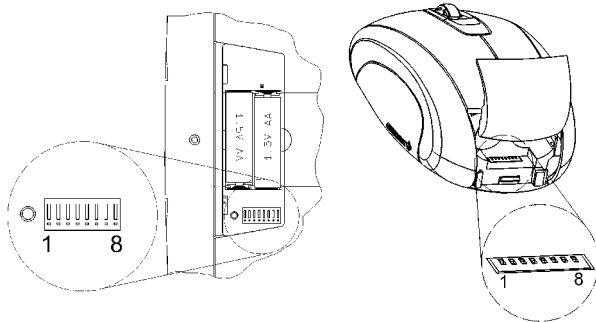
### Small DIP switches

The DIP switches of the mouse in particular are very small due to the compact size.

Use a pointed object, e.g. a watchmaker's screw driver, to change the position of the switch.

---

- 1 Open the battery compartment of the keyboard/mouse.



- 2 Change the position of the DIP switches 1 to 6 of the keyboard and mouse according to Table 12.5 "Transmission frequencies". The frequencies of the keyboard and mouse must match. Switch towards position digit = switch position 0 (OFF), switch away from position digit = switch position 1 (ON).

## 8 Setting the range

The default range is set to maximum. It makes sense to reduce the range if you wish to use several sets (keyboard and mouse) in a room, to reduce power consumption or to increase security against "listening in".

DIP switches		Max. keyboard current consumption (approx.)	Max. mouse current consumption (approx.)	Range (approx.)
7	8			
0	0	11 mA	33 mA	2 – 5 m
1	0	12 mA	34 mA	4 – 10 m
0	1	14 mA	36 mA	8 – 15 m
1	1	17 mA	39 mA	15 – 20 m



### Small DIP switches

The DIP switches of the mouse in particular are very small due to the compact size.

Use a pointed object, e.g. a watchmaker's screw driver, to change the position of the switch.

- 1 Open the battery compartment of the keyboard/mouse.
- 2 Change the position of the DIP switches 7 and 8 according to the table. Switch towards position digit = switch position 0 (OFF), switch away from position digit = switch position 1 (ON).

## 9 Returning the devices to their default state

### 9.1 Resetting the receiver

You can conveniently reset encryption of the receiver via the Cherry **KeyM@n** software or on the device.

- 1 Navigate to the **Wireless** tab of the Cherry **KeyM@n** software: **Start/Settings/Control Panel/Keyboard/Wireless**.
- 2 Click on the **Reset receiver** button.

– or –

- 1 Remove the USB plug of the receiver from the USB port.
- 2 Reinsert the USB plug of the receiver into the USB port while keeping the button on top of the receiver pressed.

### Resetting the keyboard/mouse

- 1 Remove the batteries from the keyboard and mouse.
- 2 Reinsert the batteries into the keyboard and mouse.
- 3 Set the DIP switches of the transmission frequencies to channel 17. See 7 "Setting the transmission frequency".



## 10 Help in case of problems

### 10.1 Keyboard and mouse do not operate

- 1 It is advisable to change the transmission frequency if you are using several sets (keyboard and mouse) in a room, or to avoid interferences with wireless LANs or other 2.4 GHz devices. The keyboard and mouse frequencies must match, but should differ as much as possible from those of other devices.
- 2 Use another USB port on the PC.
- 3 Test the receiver on another PC to ensure that the receiver still functions.
- 4 Reset encryption to its default state. See 9 "Returning the devices to their default state".
- 5 Activate encryption. See 6.1 "Activating encryption".
- 6 Check whether software for a keyboard/mouse is already present on the PC and uninstall it.

### 10.2 Only the keyboard or mouse does not operate

- 1 Check whether the batteries are inserted correctly.
- 2 Check whether the batteries are charged. See 4 "Recharging the batteries".
- 3 Check whether the transmission frequency of the keyboard and mouse match. See 7 "Setting the transmission frequency".
- 4 Activate encryption. See 6.1 "Activating encryption".

### 10.3 Cherry **KeyM@n** software does not function.

- 1 Check whether software for a keyboard/mouse is already present on the PC and uninstall it.
- 2 Check whether the user logged in on the PC has the rights to install the software (example: administrator rights in Windows 2000 and XP).
- 3 Check whether your operating system is supported by the software.

## 11 Tips

### 11.1 Increasing stability of keyboard

- Fold out the supports at the back of the keyboard toward the side so that it is stable.

### 11.2 Cleaning the devices



#### **Caution!**

Damage may be caused by harsh cleaning agents or liquids in the keyboard

- 1 Do not use solutions such as gasoline or alcohol and scouring agents or scouring sponges for cleaning.
- 2 Prevent fluids from entering the devices.
- 3 Do not remove the keycaps of the keyboard.

- 
- 1 Switch off the PC.
  - 2 Clean the devices with a slightly damp cloth and some mild cleaning agent (e. g.: dishwashing liquid).
  - 3 Dry off the devices with a soft, lint-free cloth.

### 11.3 Disposal

- Dispose of the batteries and the devices in accordance with local regulations.

## 11.4 RSI syndrome



### RSI syndrome

RSI stands for "Repetitive Strain Injury". RSI arises due to small movements continuously repeated over a long period of time.

Typical symptoms are discomfort in the fingers or neck.

- 1 Set up your workspace ergonomically.
- 2 Change the angle of the keyboard using the rear supports.
- 3 Position the keyboard and mouse in such a manner that your upper arms and wrists are outstretched and to the sides of your body.
- 4 Take several short breaks, with stretching exercises if necessary.
- 5 Change your posture often.

## 12 Technical data

### 12.1 Wireless keyboard

Designation	Value
Battery type	2 rechargeable alkaline batteries, type AA (LR6)
Supply voltage	2.0 to 3.3 V SELV
Operating duration with charged batteries	approx. 12 months of normal use in an office setting
Charging period	approx. 4 hrs.
Transmission frequency	2.4 – 2.4835 GHz
Frequency channels	64
Range	max. 20 m
Transmission output	can be set from –20 dBm to 0 dBm
Storage temperature	–20 °C to +60 °C
Operating temperature	0 °C to +50 °C

### 12.2 Wireless mouse

Designation	Value
Resolution	800 dpi
Battery type	2 rechargeable alkaline batteries, type AA (LR6)
Supply voltage	2.2 to 3.3 V SELV
Operating duration with charged batteries	approx. 3 months of normal use in an office setting
Charging period	approx. 4 hrs.
Transmission frequency	2.4 – 2.4835 GHz
Frequency channels	64
IDs	65,536
Range	min. 3 m, max. 20 m
Transmission output	can be set from –20 dBm to 0 dBm
Storage temperature	–20 °C to +60 °C
Operating temperature	0 °C to +50 °C

### 12.3 Wireless receiver

Designation	Value
Sensitivity	–80 dBm
Storage temperature	–20 °C to +60 °C
Operating temperature	0 °C to +50 °C

## 12.4 Power supply

Designation	Value
Input voltage	100 – 240 V AC, 50 – 60 Hz
Output voltage	5 V DC
Output current	max. 1 amp
Storage temperature	–20 °C to +60 °C
Operating temperature	0 °C to +50 °C

## 12.5 Transmission frequencies



### Set the same frequency for keyboard and mouse

The frequencies of the keyboard and mouse must match.

The devices are factory-set to channel 17.

Switch towards position digit = switch position 0 (OFF), switch away from position digit = switch position 1 (ON).

### Transmission frequencies that can be set:

Chan- nel	DIP switches						Frequency range (GHz)	
	1	2	3	4	5	6	Key- board	Mouse
1	0	0	0	0	0	0	2.404	2.412
2	1	0	0	0	0	0	2.405	2.413
3	0	1	0	0	0	0	2.406	2.414
4	1	1	0	0	0	0	2.407	2.415
5	0	0	1	0	0	0	2.408	2.416
6	1	0	1	0	0	0	2.409	2.417
7	0	1	1	0	0	0	2.410	2.418
8	1	1	1	0	0	0	2.411	2.419
9	0	0	0	1	0	0	2.412	2.420

Chan- nel	DIP switches						Frequency range (GHz)	
	1	2	3	4	5	6	Key- board	Mouse
10	1	0	0	1	0	0	2.413	2.421
11	0	1	0	1	0	0	2.414	2.422
12	1	1	0	1	0	0	2.415	2.423
13	0	0	1	1	0	0	2.416	2.424
14	1	0	1	1	0	0	2.417	2.425
15	0	1	1	1	0	0	2.418	2.426
16	1	1	1	1	0	0	2.419	2.427
17	0	0	0	0	1	0	2.420	2.428
18	1	0	0	0	1	0	2.421	2.429
19	0	1	0	0	1	0	2.422	2.430
20	1	1	0	0	1	0	2.423	2.431
21	0	0	1	0	1	0	2.424	2.432
22	1	0	1	0	1	0	2.425	2.433
23	0	1	1	0	1	0	2.426	2.434
24	1	1	1	0	1	0	2.427	2.435
25	0	0	0	1	1	0	2.428	2.436
26	1	0	0	1	1	0	2.429	2.437
27	0	1	0	1	1	0	2.430	2.438
28	1	1	0	1	1	0	2.431	2.439
29	0	0	1	1	1	0	2.432	2.440
30	1	0	1	1	1	0	2.433	2.441
31	0	1	1	1	1	0	2.434	2.442
32	1	1	1	1	1	0	2.435	2.443
33	0	0	0	0	0	1	2.436	2.444
34	1	0	0	0	0	1	2.437	2.445
35	0	1	0	0	0	1	2.438	2.446
36	1	1	0	0	0	1	2.439	2.447
37	0	0	1	0	0	1	2.440	2.448



Channel	DIP switches						Frequency range (GHz)	
	1	2	3	4	5	6	Key-board	Mouse
38	1	0	1	0	0	1	2.441	2.449
39	0	1	1	0	0	1	2.442	2.450
40	1	1	1	0	0	1	2.443	2.451
41	0	0	0	1	0	1	2.444	2.452
42	1	0	0	1	0	1	2.445	2.453
43	0	1	0	1	0	1	2.446	2.454
44	1	1	0	1	0	1	2.447	2.455
45	0	0	1	1	0	1	2.448	2.456
46	1	0	1	1	0	1	2.449	2.457
47	0	1	1	1	0	1	2.450	2.458
48	1	1	1	1	0	1	2.451	2.459
49	0	0	0	0	1	1	2.452	2.460
50	1	0	0	0	1	1	2.453	2.461
51	0	1	0	0	1	1	2.454	2.462
52	1	1	0	0	1	1	2.455	2.463
53	0	0	1	0	1	1	2.456	2.464
54	1	0	1	0	1	1	2.457	2.465
55	0	1	1	0	1	1	2.458	2.466
56	1	1	1	0	1	1	2.459	2.467
57	0	0	0	1	1	1	2.460	2.468
58	1	0	0	1	1	1	2.461	2.469
59	0	1	0	1	1	1	2.462	2.470
60	1	1	0	1	1	1	2.463	2.471
61	0	0	1	1	1	1	2.464	2.472
62	1	0	1	1	1	1	2.465	2.473
63	0	1	1	1	1	1	2.466	2.474
64	1	1	1	1	1	1	2.467	2.475

### IEEE 802.11b standard frequencies (WLAN):

The standard frequencies of a wireless LAN are listed here to avoid using the frequency ranges of your WLAN when setting the transmit frequencies for the keyboard and mouse.

Channel	Frequency range (GHz)
1	2.400 – 2.424
2	2.405 – 2.429
3	2.410 – 2.434
4	2.415 – 2.439
5	2.420 – 2.444
6	2.425 – 2.449
7	2.430 – 2.454
8	2.435 – 2.459
9	2.440 – 2.464
10	2.445 – 2.469
11	2.450 – 2.474
12	2.455 – 2.479
13	2.460 – 2.484

## 13 Support

We would be happy to help you with any problems you may encounter in the installation of the keyboard or the software.

Before contacting us, please have the following information at the ready:

- Part no. of the Cherry product (found on the back)
- Designation and manufacturer of your PC/ laptop/motherboard
- Operating system and version of an installed Service Pack if necessary

Cherry Support can be contacted at <http://support.cherry.de>. There you can submit your questions to us directly around the clock and seven days a week.



If you do not have an Internet connection, please contact us at the following address:

Cherry GmbH  
Cherrystraße  
D-91275 Auerbach  
Germany

Hotline:

Tel.: +49 (0) 1805 919108 (12 Cents/min.)

Fax: +49 (0) 9643 18-1545

We are available to help you Monday to Thursday from 7:15 a.m. to 4:00 p.m. and Friday from 7:15 p.m. to 1:30 p.m. (GMT + 1 h).

## 14 General advice

Cherry continuously optimizes products as new technologies are developed. For this reason we reserve the right to make technical alterations. The evaluation of product reliability and the definition of the product's technical performance are carried out according to Cherry's own requirements in order to meet internationally recognized regulations and standards. Requirements in addition to these can be met through mutual cooperation. Improper usage, handling, storage and external influences could lead to faults and defects during use.

We do not accept warranty for defects caused by alterations to our product by the user and shall not be held liable for unauthorized modifications. All repairs must be made by Cherry or an officially appointed organization or person. There is a danger of explosion if the optional lithium battery is not exchanged in the correct manner! Possible compensation claims against Cherry or its nominated officers – whatever the legal justification including physical or stress related injuries – are excluded. Exceptions to this exist in the case of intent or gross negligence on the part of Cherry, infringements of Product Liability Law or in cases of injury, bodily harm or risk to health. These operating instructions only apply to the accompanying product.

Full details can be obtained from your local Cherry dealer or direct from Cherry GmbH.

## 15 Certification

### 15.1 Federal Communications Commission (FCC) Radio Frequency Interface Statement

Information to the user: This equipment has been tested and found to comply with the limits for Class B digital device, pursuant to Part 15 of the FCC Rules. These limits are designed to provide reasonable protection against harmful interference in a residential installation. This equipment generates, uses and can radiate radio frequency energy and, if not installed and used in accordance with the instructions, may cause harmful interference to radio communications. However, there is no guarantee that interference will not occur in a particular installation. If this equipment does cause harmful interference to radio or television reception, which can be determined by turning the equipment off and on, the user is encouraged to try to correct the interference by one or more of the following measures:

- Reorientate or relocate the receiving antenna.
- Increase the separation between the equipment and receiver.
- Connect the equipment into an outlet on a circuit different from that to which the receiver is connected.
- Consult the dealer or an experienced radio/ TV technician for help.

### 15.3 CE Declaration of Conformity



#### CE - Konformitätserklärung

#### CE - Declaration of Conformity

**Hersteller:** CHERRY GmbH  
 Manufacturer:

**Anschrift:** Cherystraße  
 Address: D- 91275 Auerbach/Opf.

**Modellbezeichnung:** G- 208 (Art-Nr.:G85-208VVWWXXYYZ)  
 Model designation:


**Das bezeichnete Produkt stimmt mit den Vorschriften folgender Europäischer Richtlinien überein:**  
 The designated product is in conformity with the provisions of the following European Directives:

- |                       |  |
|-----------------------|--|
| <b>73 / 23 / EWG</b>  | <b>Richtlinie betreffend elektrische Betriebsmittel zur Verwendung innerhalb bestimmter Spannungsgrenzen</b> |
| 73 / 23 / EEC         | Council Directive relating to electrical equipment designed for use with in certain voltage limits           |
| <b>89 / 336 / EWG</b> | <b>Richtlinie über die elektromagnetische Verträglichkeit</b>  |
| 89 / 336 / EEC        | Council Directive relating to electromagnetic compatibility  |
| <b>99 / 5 / EWG</b>   | <b>Richtlinie über Funkanlagen und Kommunikationsendeinrichtungen</b>  |
| 99 / 5 / EEC          | Council Directive relating to radio equipment and telecommunications terminal equipment                      |

**Die Übereinstimmung wird nachgewiesen durch die vollständige Einhaltung nachfolgender europäischer Normen.**  
 The Conformity is proved by full compliance with the following European Standards.

<b>Referenznummer</b>	<b>Ausgabedatum</b>	<b>Referenznummer</b>	<b>Ausgabedatum</b>
Reference number	Date of Issue	Reference number	Date of Issue
EN 55022 (Class B)	2001-11	EN 61000-4-6	2001-12
EN 55024	1999-05		
EN 61000-4-2	2001-12	EN 300440 -2	2001-09
EN 61000-4-3	2001-12	EN 301489 -3	2002-08
EN 61000-4-4	2002-07		
EN 61000-4-5	2001-12	EN 60950	2003

08-Oct-04  
 Date / Datum

  
 W. Schrüfer  
 Director of Engineering

## Table des matières

1	Informations sur papier, comme aide contextuelle et sur CD .....	26
2	Mise en service des appareils.....	26
3	Installation du logiciel Cherry KeyM@n .....	27
4	Charger les piles .....	28
5	Utiliser les fonctions de la souris.....	28
6	Cryptage .....	29
7	Régler la fréquence d'émission.....	29
8	Régler la portée .....	30
9	Remettre les appareils dans l'état de livraison .....	30
10	Aide en cas de problème .....	31
11	Conseils .....	31
12	Caractéristiques techniques.....	32
13	Assistance.....	34
14	Généralités.....	35
15	Certifications .....	35

## 1 Informations sur papier, comme aide contextuelle et sur CD

Vous trouverez les informations concernant la mise en service, la manipulation et la configuration dans le présent mode d'emploi, comme aide contextuelle et sous forme d'informations complémentaires pour le logiciel **KeyM@n**.

- Le mode d'emploi abrégé décrit essentiellement la mise en service de l'appareil et l'installation du logiciel.
- L'aide contextuelle fait partie du logiciel joint sur CD. Elle vous donne des informations sur la commande là où vous en avez besoin et vous l'appellez avec la touche F1. Vous y accédez également via **Démarrer/Programmes/Cherry Keyboard Manager/Documentation**.
- Des informations complémentaires concernant la commande et la configuration du logiciel **KeyM@n** vous sont fournies sur le CD annexé (**CD-ROM/Manuals**). Vous pouvez lire ce qui vous intéresse à l'écran ou l'imprimer.

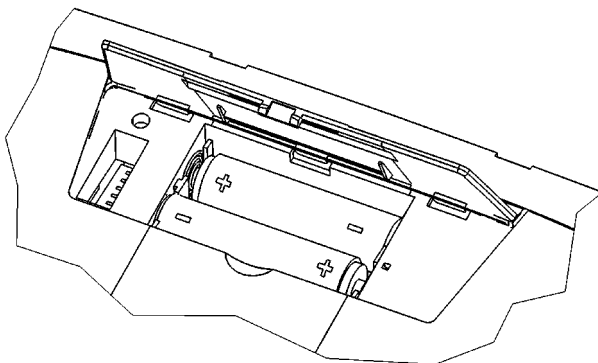
En vous donnant seulement les informations essentielles sur papier, nous réduisons la consommation de feuilles et contribuons à la protection de l'environnement.

Veillez tenir compte des remarques générales pour l'utilisateur et des conventions de licence.

## 2 Mise en service des appareils

### 2.1 Placer les piles

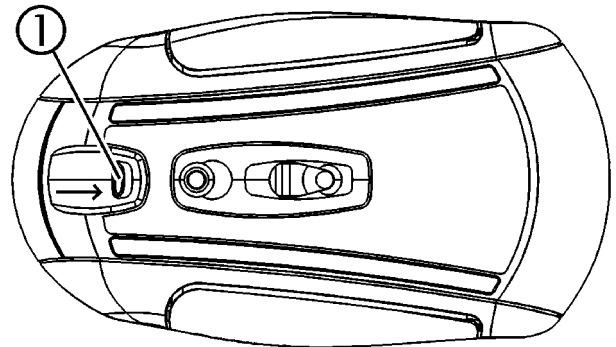
#### Placer les piles dans le clavier



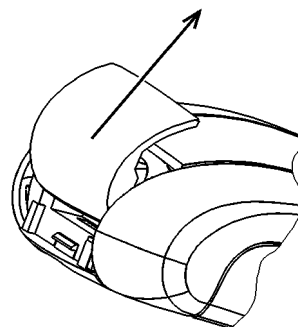
- 1 Ouvrez le compartiment à piles situé à la face inférieure du clavier.

- 2 Mettez en place les deux piles alcalines rechargeables fournies, de type LR6 (AA), avec le moins du côté du ressort.
- 3 Fermez le compartiment à piles.

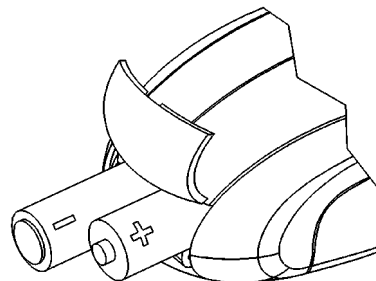
#### Placer les piles dans la souris



- 1 Poussez le levier ① situé à la face inférieure de la souris vers le milieu de la souris.

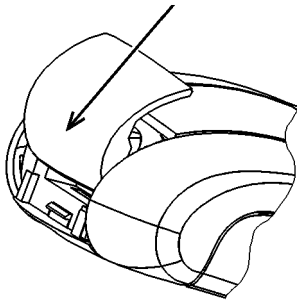


- 2 Faites glisser simultanément le couvercle du compartiment à piles à la face arrière de la souris en direction de la face supérieure de la souris.



- 3 Mettez en place dans le compartiment à piles les deux piles alcalines rechargeables fournies, de type LR6 (AA), en respectant le marquage +/-.





- 4 Faites glisser le couvercle du compartiment à piles de la face supérieure de la souris dans les **guidages latéraux**, jusqu'à ce qu'il se verrouille.

## 2.2 Raccorder le récepteur au PC

Grâce au mini récepteur USB, il n'y a plus de câbles superflus du raccordement USB au récepteur.

- Branchez le récepteur dans un raccordement USB quelconque de votre PC ou d'un autre appareil raccordé au PC.

## 3 Installation du logiciel Cherry KeyM@n

Le logiciel Cherry **KeyM@n** est un programme puissant et très complet. Il vous permet d'affecter des liens, des programmes, des fonctions système et même du texte quelconque aux touches supplémentaires du clavier. Vous pouvez ainsi appeler d'un actionnement de touche des fonctions fréquemment utilisées.

- Raccordez d'abord l'appareil et installez ensuite le logiciel.

### 3.1 Y a-t-il déjà un logiciel pour un clavier ou une souris sur le PC?

Si un logiciel pour un clavier ou une souris de Cherry ou d'un autre fabricant est déjà installé, vous devriez d'abord le désinstaller par sécurité.

- Désinstallez le logiciel (via le **menu Windows Démarrer/Panneau de configuration/Ajout-Suppression de programmes.**)

### 3.2 Installation du logiciel KeyM@n sous Windows 98/ME/2000/XP



#### Logiciel Cherry KeyM@n actualisé sur internet

Le logiciel Cherry **KeyM@n** est en développement permanent. Vous pouvez télécharger la dernière version de Cherry via l'internet:

**<http://support.cherry.de>**

- 1 Placez le CD Cherry dans votre lecteur de CD-ROM.

Le CD-ROM démarre automatiquement. La fenêtre **Installation** apparaît.

- 2 Si le CD-ROM ne démarre pas automatiquement, faites un double clic sur le lecteur de CD-ROM dans l'Explorateur et ensuite sur le fichier de démarrage **Start.exe**.

La fenêtre **Installation** apparaît.

- 3 Cliquez sur le produit Cherry pour lequel vous voulez installer le logiciel.

L'installation commence.

- 4 Suivez les instructions d'installation à l'écran.

Le logiciel Cherry **KeyM@n** est installé.

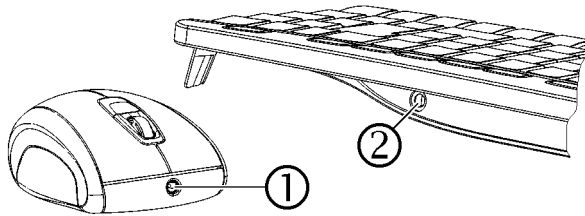


#### Appeler le logiciel Cherry KeyM@n

Vous pouvez appeler le logiciel Cherry **KeyM@n** par les voies suivantes:

- Démarrer/Programmes/Cherry Keyboard Manager/Propriétés de Clavier
- Démarrer/Réglages/Panneau de configuration/Clavier

## 4 Charger les piles



- 1 Insérez la fiche creuse du câble de chargement dans la douille à la face arrière du clavier ② ou à la face avant de la souris ①. Que le PC soit en service ou non ne joue aucun rôle.
- 2 Branchez la fiche secteur du bloc d'alimentation dans une prise de courant.  
Vous pouvez poursuivre le travail pendant le processus de chargement.

### 4.1 Conseils de chargement des piles alcalines

La charge complète des piles alcalines dure environ 4 heures. Le circuit de charge empêche la surcharge.

Si une LED clignote sur le récepteur, vous devez charger les piles (vert = piles du clavier, rouge = piles de la souris).



#### Chargement des piles dans le chargeur externe

Comme les piles du clavier/de la souris sont chargées via le câble de chargement, l'utilisation d'un chargeur externe est superflue.

Les chargeurs du commerce ne conviennent pas pour les piles alcalines.



#### Type de pile utilisable

L'électronique de chargement fonctionne uniquement avec des piles alcalines rechargeables (exemple: AccuCell AC 1800). On ne peut pas charger d'autres accus ou piles dans le clavier et la souris.

Les piles alcalines rechargeables offrent les avantages suivants:

- capacité élevée (1800 mAh)
- faible décharge spontanée
- rechargeables à tout moment sans effet de mémoire
- rechargeables plusieurs centaines de fois
- tension de sortie élevée (1,5 V)
- ménageant l'environnement, grâce à une teneur réduite en substances polluantes

## 5 Utiliser les fonctions de la souris



### Conditions pour une utilisation optimale

L'utilisation de la souris sur une surface claire, structurée augmente son effectivité par:

- une détection optimale de mouvement
- une longue durée de vie des piles

Une surface réfléchissante ne convient pas pour la souris.

### 5.1 Utiliser la fonction d'économie accrue d'énergie de la souris

La fonction d'économie d'énergie augmente la durée de vie des piles d'env. 15 %. La fonction d'économie d'énergie désactive le capteur optique de la souris après une période d'inactivité de 15 minutes. Vous devez dès lors actionner un bouton de la souris pour la mettre en service. En mode standard, un mouvement de la souris suffit.

- 1 Enlevez les piles de la souris.
- 2 Maintenez le bouton de gauche et le bouton de droite de la souris simultanément enfoncés et replacez les piles.

L'activation de la fonction d'économie d'énergie est confirmée par 10 clignotements du capteur optique de la souris.



### Désactivation de la fonction d'économie d'énergie

La fonction d'économie d'énergie est désactivée lorsque vous enlevez les piles de la souris. Pour cette raison, elle doit être réactivée chaque fois que vous enlevez les piles.

## 5.2 Utiliser la fonction de transport de la souris

La fonction de transport met la souris hors service et la protège d'un actionnement involontaire.

1 Maintenez le bouton de gauche et le bouton de droite de la souris simultanément enfoncés pendant 3 secondes.

La souris est désactivée.

2 Maintenez à nouveau le bouton de gauche et le bouton de droite de la souris simultanément enfoncés pendant 3 secondes.

La souris est réactivée.

## 6 Cryptage

### 6.1 Activer le cryptage



#### Cryptage de la transmission radio

Le clavier et la souris sont prêts à fonctionner après le raccordement; le cryptage est désactivé à la sortie d'usine.

Vous pouvez lancer le cryptage de manière confortable via le logiciel Cherry **KeyM@n** ou sur le récepteur.

1 Amenez le clavier et la souris à proximité du récepteur.

Si vous n'effectuez pas les étapes suivantes dans les 50 secondes, le réglage est interrompu.

2 Naviguez vers l'onglet **Sans fil** du logiciel Cherry **KeyM@n**: **Démarrer/Réglages/Panneau de configuration/Clavier/Sans fil**, cliquez sur le bouton de commande **CONNECT** et suivez le guidage de l'utilisateur.

– ou –

Appuyez sur la touche à la face supérieure du récepteur jusqu'à ce que les LED verte et rouge clignotent.

3 Appuyez à la face inférieure du clavier sur le bouton **CONNECT** dans le compartiment à piles jusqu'à ce que seule la LED rouge clignote.

Un nouveau canal est mémorisé dans le clavier et le récepteur.

4 Appuyez à la face inférieure de la souris sur le bouton **CONNECT** jusqu'à ce que la LED rouge s'éteigne.

Un nouveau canal est mémorisé dans la souris et le récepteur.



#### Désactivation du cryptage

Le cryptage est désactivé lorsque vous enlevez les piles du clavier/de la souris. Pour cette raison, elle doit être réactivée chaque fois que vous enlevez les piles.

## 7 Régler la fréquence d'émission

Les fréquences du clavier et de la souris doivent être identiques.

En usine, les appareils sont réglés sur le canal 17. Vous trouverez les fréquences réglables au point 12.5 "Fréquences d'émission".

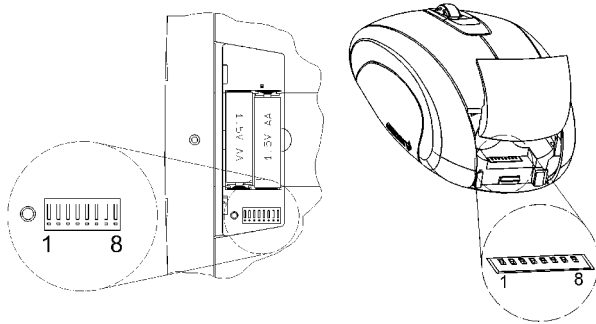


#### Petits commutateurs DIL

En raison de la dimension constructive compacte, surtout les commutateurs DIL de la souris sont très petits.

Utilisez un objet pointu, p. ex. un tournevis d'horloger, pour modifier la position des commutateurs.

- 1 Ouvrez le compartiment à piles du clavier/de la souris.



- 2 Modifiez la position des commutateurs DIL 1 à 6 du clavier et de la souris selon le tableau 12.5 "Fréquences d'émission". Les fréquences du clavier et de la souris doivent être identiques. Commutateur sur le chiffre de position = position du commutateur 0 (OFF), commutateur écarté du chiffre de position = position du commutateur 1 (ON).

## 8 Régler la portée

A la livraison, la portée maximale est réglée. Une diminution de la portée est judicieuse si vous désirez exploiter plusieurs jeux (clavier et souris) dans un local, afin de réduire la consommation de courant ou pour augmenter la sécurité contre l'écoute.

Commutateurs DIL		Consommation de courant max. du clavier (env.)	Consommation de courant max. de la souris (env.)	Portée (env.)
7	8			
0	0	11 mA	33 mA	2 – 5 m
1	0	12 mA	34 mA	4 – 10 m
0	1	14 mA	36 mA	8 – 15 m
1	1	17 mA	39 mA	15 – 20 m



### Petits commutateurs DIL

En raison de la dimension constructive compacte, surtout les commutateurs DIL de la souris sont très petits.

Utilisez un objet pointu, p. ex. un tournevis d'horloger, pour modifier la position des commutateurs.

- 1 Ouvrez le compartiment à piles du clavier/de la souris.
- 2 Modifiez la position des commutateurs DIL 7 et 8 selon le tableau. Commutateur sur le chiffre de position = position du commutateur 0 (OFF), commutateur écarté du chiffre de position = position du commutateur 1 (ON).

## 9 Remettre les appareils dans l'état de livraison

### 9.1 Réinitialiser le récepteur

Vous pouvez annuler le cryptage du récepteur via le logiciel Cherry **KeyM@n** ou sur l'appareil.

- 1 Naviguez vers l'onglet **Sans fil** du logiciel Cherry **KeyM@n**: **Démarrer/Réglages/Panneau de configuration/Clavier/Sans fil**.
- 2 Cliquez sur le bouton de commande **Réinitialisation récepteur**.

– ou –

- 1 Déconnectez la fiche USB du récepteur du raccordement USB.
- 2 Maintenez enfoncée la touche à la face supérieure du récepteur et réinsérez en même temps le connecteur USB du récepteur dans le raccordement USB.

### Réinitialiser le clavier/la souris

- 1 Enlevez les piles du clavier et de la souris.
- 2 Replacez les piles dans le clavier et la souris.
- 3 Réglez les commutateurs DIL des fréquences d'émission sur le canal 17. Voir 7 "Régler la fréquence d'émission".

## 10 Aide en cas de problème

### 10.1 Le clavier et la souris ne fonctionnent pas

- 1 Qi vous utilisez plusieurs jeux (clavier et souris) dans un local, ou afin d'éviter des interférences avec un réseau sans fil ou d'autres appareils 2,4 GHz, il est judicieux de modifier la fréquence d'émission. Les fréquences du clavier et de la souris doivent correspondre, doivent cependant être aussi éloignées que possible de celles d'autres appareils.
- 2 Utilisez une autre connexion USB du PC.
- 3 Testez le récepteur sur un autre PC, afin d'être sûr que le récepteur fonctionne.
- 4 Remettez le cryptage dans l'état de livraison. Voir 9 "Remettre les appareils dans l'état de livraison".
- 5 Activez le cryptage. Voir 6.1 "Activer le cryptage".
- 6 Contrôlez si un logiciel pour un clavier/une souris est déjà présent sur le PC et désinstallez celui-ci.

### 10.2 Seul le clavier ou la souris ne fonctionne pas

- 1 Vérifiez si les piles sont correctement installées.
- 2 Vérifiez si les piles sont chargées. Voir 4 "Charger les piles".
- 3 Vérifiez si la fréquence d'émission du clavier et de la souris correspondent. Voir 7 "Régler la fréquence d'émission".
- 4 Activez le cryptage. Voir 6.1 "Activer le cryptage".

### 10.3 Le logiciel Cherry **KeyM@n** ne fonctionne pas.

- 1 Contrôlez si un logiciel pour un clavier/une souris est déjà présent sur le PC et désinstallez celui-ci.
- 2 Vérifiez si l'utilisateur actuel du PC a les droits d'installer le logiciel (exemple: droits d'administrateur sous Windows 2000 et XP).
- 3 Vérifiez si votre système d'exploitation est supporté par le logiciel.

## 11 Conseils

### 11.1 Augmenter la stabilité

- Déployez latéralement les pieds d'appui à la face arrière du clavier, afin que celui-ci repose de manière stable.

### 11.2 Nettoyage des appareils



#### **Attention!**

Détérioration en cas d'utilisation de produits de nettoyage agressifs ou de pénétration de liquide dans le clavier

- 1 Pour le nettoyage, n'utilisez pas de solvants tels que l'essence ou l'alcool ni aucun produit ou éponge abrasif.
- 2 Empêchez tout liquide de pénétrer dans les appareils.
- 3 N'enlevez pas les capuchons des touches du clavier.

- 
- 1 Mettez le PC hors service.
  - 2 Nettoyez les appareils avec un chiffon légèrement humide et un produit de nettoyage doux (p. ex.: détergent vaisselle).
  - 3 Séchez les appareils avec un chiffon doux non peluchant.

### 11.3 Mise au rebut

- Éliminez les piles et les appareils conformément aux prescriptions locales en vigueur.

## 11.4 Syndrome RSI



### Syndrome RSI

RSI signifie "Repetitive Strain Injury" = "blessure par sollicitation répétée". Le syndrome RSI apparaît suite à de petits mouvements se répétant en permanence durant une longue période.

Des symptômes typiques sont des douleurs dans les doigts ou la nuque.

- 1 Organisez votre poste de travail de manière ergonomique.
- 2 Modifiez l'inclinaison du clavier à l'aide des pieds réglables arrières.
- 3 Positionnez le clavier et la souris de telle façon que vos bras et vos poignets se trouvent latéralement par rapport au corps et soient étendus.
- 4 Faites plusieurs petites pauses, le cas échéant accompagnées d'exercices d'étirement.
- 5 Modifiez souvent votre attitude corporelle.

## 12 Caractéristiques techniques

### 12.1 Clavier sans fil

Désignation	Valeur
Type de piles	2 piles alcalines rechargeables, type LR6 (AA)
Alimentation	2,0 à 3,3 V SELV
Durée de service avec piles chargées	env. 12 mois, pour une utilisation bureautique typique
Durée de chargement	env. 4 h
Fréquence d'émission	2,4 – 2,4835 GHz
Canaux de fréquence	64
Portée	max. 20 m
Puissance d'émission	réglable –20 dBm à 0 dBm

Désignation	Valeur
Température de stockage	–20 °C à +60 °C
Température de fonctionnement	0 °C à +50 °C

### 12.2 Souris sans fil

Désignation	Valeur
Résolution	800 ppp
Type de piles	2 piles alcalines rechargeables, type LR6 (AA)
Alimentation	2,2 à 3,3 V SELV
Durée de service avec piles chargées	env. 3 mois, pour une utilisation bureautique typique
Durée de chargement	env. 4 h
Fréquence d'émission	2,4 – 2,4835 GHz
Canaux de fréquence	64
ID	65536
Portée	min. 3 m, max. 20 m
Puissance d'émission	réglable –20 dBm à 0 dBm
Température de stockage	–20 °C à +60 °C
Température de fonctionnement	0 °C à +50 °C

### 12.3 Récepteur radio

Désignation	Valeur
Sensibilité	–80 dBm
Température de stockage	–20 °C à +60 °C
Température de fonctionnement	0 °C à +50 °C

## 12.4 Bloc d'alimentation

Désignation	Valeur
Tension d'entrée	100 – 240 V/AC, 50 – 60 Hz
Tension de sortie	5 V/DC
Courant de sortie	max. 1 A
Température de stockage	-20 °C à +60 °C
Température de fonctionnement	0 °C à +50 °C

## 12.5 Fréquences d'émission



### Régler la même fréquence pour le clavier et la souris

Les fréquences du clavier et de la souris doivent être identiques.

En usine, les appareils sont réglés sur le canal 17.  
Commutateur sur le chiffre de position = position du commutateur 0 (OFF), commutateur écarté du chiffre de position = position du commutateur 1 (ON).

### Fréquences d'émission réglables:

Canal	Commutateurs DIL						Plage de fréquence (GHz)	
	1	2	3	4	5	6	Clavier	Souris
1	0	0	0	0	0	0	2,404	2,412
2	1	0	0	0	0	0	2,405	2,413
3	0	1	0	0	0	0	2,406	2,414
4	1	1	0	0	0	0	2,407	2,415
5	0	0	1	0	0	0	2,408	2,416
6	1	0	1	0	0	0	2,409	2,417
7	0	1	1	0	0	0	2,410	2,418

Canal	Commutateurs DIL						Plage de fréquence (GHz)	
	1	2	3	4	5	6	Clavier	Souris
8	1	1	1	0	0	0	2,411	2,419
9	0	0	0	1	0	0	2,412	2,420
10	1	0	0	1	0	0	2,413	2,421
11	0	1	0	1	0	0	2,414	2,422
12	1	1	0	1	0	0	2,415	2,423
13	0	0	1	1	0	0	2,416	2,424
14	1	0	1	1	0	0	2,417	2,425
15	0	1	1	1	0	0	2,418	2,426
16	1	1	1	1	0	0	2,419	2,427
17	0	0	0	0	1	0	2,420	2,428
18	1	0	0	0	1	0	2,421	2,429
19	0	1	0	0	1	0	2,422	2,430
20	1	1	0	0	1	0	2,423	2,431
21	0	0	1	0	1	0	2,424	2,432
22	1	0	1	0	1	0	2,425	2,433
23	0	1	1	0	1	0	2,426	2,434
24	1	1	1	0	1	0	2,427	2,435
25	0	0	0	1	1	0	2,428	2,436
26	1	0	0	1	1	0	2,429	2,437
27	0	1	0	1	1	0	2,430	2,438
28	1	1	0	1	1	0	2,431	2,439
29	0	0	1	1	1	0	2,432	2,440
30	1	0	1	1	1	0	2,433	2,441
31	0	1	1	1	1	0	2,434	2,442
32	1	1	1	1	1	0	2,435	2,443
33	0	0	0	0	0	1	2,436	2,444
34	1	0	0	0	0	1	2,437	2,445
35	0	1	0	0	0	1	2,438	2,446
36	1	1	0	0	0	1	2,439	2,447
37	0	0	1	0	0	1	2,440	2,448

Canal	Commutateurs DIL						Plage de fréquence (GHz)	
	1	2	3	4	5	6	Clavier	Souris
38	1	0	1	0	0	1	2,441	2,449
39	0	1	1	0	0	1	2,442	2,450
40	1	1	1	0	0	1	2,443	2,451
41	0	0	0	1	0	1	2,444	2,452
42	1	0	0	1	0	1	2,445	2,453
43	0	1	0	1	0	1	2,446	2,454
44	1	1	0	1	0	1	2,447	2,455
45	0	0	1	1	0	1	2,448	2,456
46	1	0	1	1	0	1	2,449	2,457
47	0	1	1	1	0	1	2,450	2,458
48	1	1	1	1	0	1	2,451	2,459
49	0	0	0	0	1	1	2,452	2,460
50	1	0	0	0	1	1	2,453	2,461
51	0	1	0	0	1	1	2,454	2,462
52	1	1	0	0	1	1	2,455	2,463
53	0	0	1	0	1	1	2,456	2,464
54	1	0	1	0	1	1	2,457	2,465
55	0	1	1	0	1	1	2,458	2,466
56	1	1	1	0	1	1	2,459	2,467
57	0	0	0	1	1	1	2,460	2,468
58	1	0	0	1	1	1	2,461	2,469
59	0	1	0	1	1	1	2,462	2,470
60	1	1	0	1	1	1	2,463	2,471
61	0	0	1	1	1	1	2,464	2,472
62	1	0	1	1	1	1	2,465	2,473
63	0	1	1	1	1	1	2,466	2,474
64	1	1	1	1	1	1	2,467	2,475

### Fréquences standard IEEE 802.11b (WLAN):

Les fréquences standard du réseau sans fil WLAN sont mentionnées ici afin de pouvoir éviter les plages de fréquence utilisées dans votre WLAN

lors du réglage des fréquences d'émission pour le clavier et la souris.

Canal	Plage de fréquence (GHz)
1	2,400 – 2,424
2	2,405 – 2,429
3	2,410 – 2,434
4	2,415 – 2,439
5	2,420 – 2,444
6	2,425 – 2,449
7	2,430 – 2,454
8	2,435 – 2,459
9	2,440 – 2,464
10	2,445 – 2,469
11	2,450 – 2,474
12	2,455 – 2,479
13	2,460 – 2,484

## 13 Assistance

Nous vous aiderons volontiers en cas de problèmes lors de l'installation du clavier ou du logiciel.

Avant de prendre contact avec nous, veuillez à disposer des informations suivantes à portée de main:

- N° de pièce du produit Cherry (se trouve au verso)
- Désignation et fabricant de votre PC/portable/ carte-mère
- Système d'exploitation et le cas échéant version installée d'un Service Pack





Vous atteindrez le support Cherry sous <http://support.cherry.de>. Vous pourrez ainsi nous transmettre directement vos questions 7 jours sur 7 et 24 h sur 24.

Si vous ne disposez pas d'un accès internet, veuillez nous contacter à l'adresse suivante:

Cherry GmbH  
Cherrystraße  
91275 Auerbach

Allemagne

Ligne d'assistance:

Tel.: +49 (0) 1805 919108 (12 cents/min)

Fax: +49 (0) 9643 18-1545

Nous sommes à votre disposition Lu-Je de 7:15 à 16:00 heures et le Ve de 7:15 à 13:30 heures (GMT + 1h).

## 14 Généralités

Cherry optimise continuellement ses produits en fonction des progrès technologiques. Par conséquent, nous nous réservons le droit de faire des modifications techniques. L'évaluation de la fiabilité ainsi que la définition des détails techniques sont le résultat des tests internes conformes aux normes internationales en vigueur. D'autres spécifications peuvent être appliquées suite à une coopération mutuelle. Des mauvaises conditions d'utilisation, de stockage, ou d'environnement peuvent entraîner des dysfonctionnements ou des dommages lors de l'utilisation.

Nous insistons sur le fait que nous ne pouvons accorder quelque garantie que ce soit causée par une modification du matériel par l'utilisateur. Ceci est valable également pour d'éventuels travaux de réparation ou de maintenance effectués par des personnes non agréées. Danger d'explosion en cas d'échange inadéquat de la pile au lithium optionnelle! Toute demande d'indemnisation éventuelle contre Cherry ou ses représentants – quoi que soit la cause (ainsi que des dommages corporels dus à une réaction émotionnelle) – sera rejetée dans la mesure où elle n'est pas la conséquence d'une négligence de notre part. Les restrictions ci-dessus ne s'appliquent pas dans le cadre de la loi sur la Responsabilité Produit allemande ainsi qu'en cas de blessures corporelles ou d'atteintes à la santé. Les conditions

d'utilisation ci-dessus ne sont valables que pour le produit livré avec cette notice.

Pour tout complément d'information, veuillez contacter votre revendeur Cherry ou directement Cherry GmbH.

## 15 Certifications

### 15.1 Federal Communications Commission (FCC) Radio Frequency Interference Statement

Information to the user: This equipment has been tested and found to comply with the limits for Class B digital device, pursuant to Part 15 of the FCC Rules. These limits are designed to provide reasonable protection against harmful interference in a residential installation. This equipment generates, uses and can radiate radio frequency energy and, if not installed and used in accordance with the instructions, may cause harmful interference to radio communications. However, there is no guarantee that interference will not occur in a particular installation. If this equipment does cause harmful interference to radio or television reception, which can be determined by turning the equipment off and on, the user is encouraged to try to correct the interference by one or more of the following measures:

- Reorientate or relocate the receiving antenna.
- Increase the separation between the equipment and receiver.
- Connect the equipment into an outlet on a circuit different from that to which the receiver is connected.
- Consult the dealer or an experienced radio/ TV technician for help.



## 15.2 Canadian Radio Interference Regulations

Notice of CSA C 108.8 (DOC Jan. 1989)

This digital apparatus does not exceed the Class B limits for radio noise emissions from digital apparatus set out in the Radio Interference Regulations of the Canadian Department of Communications.

Le présent appareil numérique n'émet pas de bruits radioélectriques dépassant les limites applicables aux appareils numériques de la classe B prescrites dans le Règlement sur le brouillage radioélectrique édicté par le ministère des Communications du Canada.

## 15.3 Déclaration de conformité CE

Nous, Cherry GmbH, déclarons que le produit **CyMotion Pro wireless Desktop (G-208XX)** est conforme aux exigences suivantes:

- Directive basse tension 73/23/CEE, contrôle suivant EN 60950
- Directive CEM (directive sur la compatibilité électromagnétique) 89/336/CEE, contrôle suivant EN 55024 et EN 55022 et EN 301 489-1, -3
- Loi sur les installations radio et installations de télécommunication (FTEG) et directive R&TTE, contrôle suivant EN 300 220-3

Testé suivant procédure de test standard Cherry.

