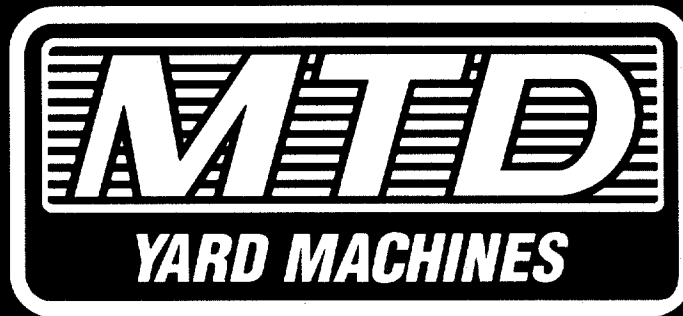


# ILLUSTRATED PARTS

AMERICAN  AMERICAN  
M A D E O W N E D  
OUTDOOR POWER EQUIPMENT

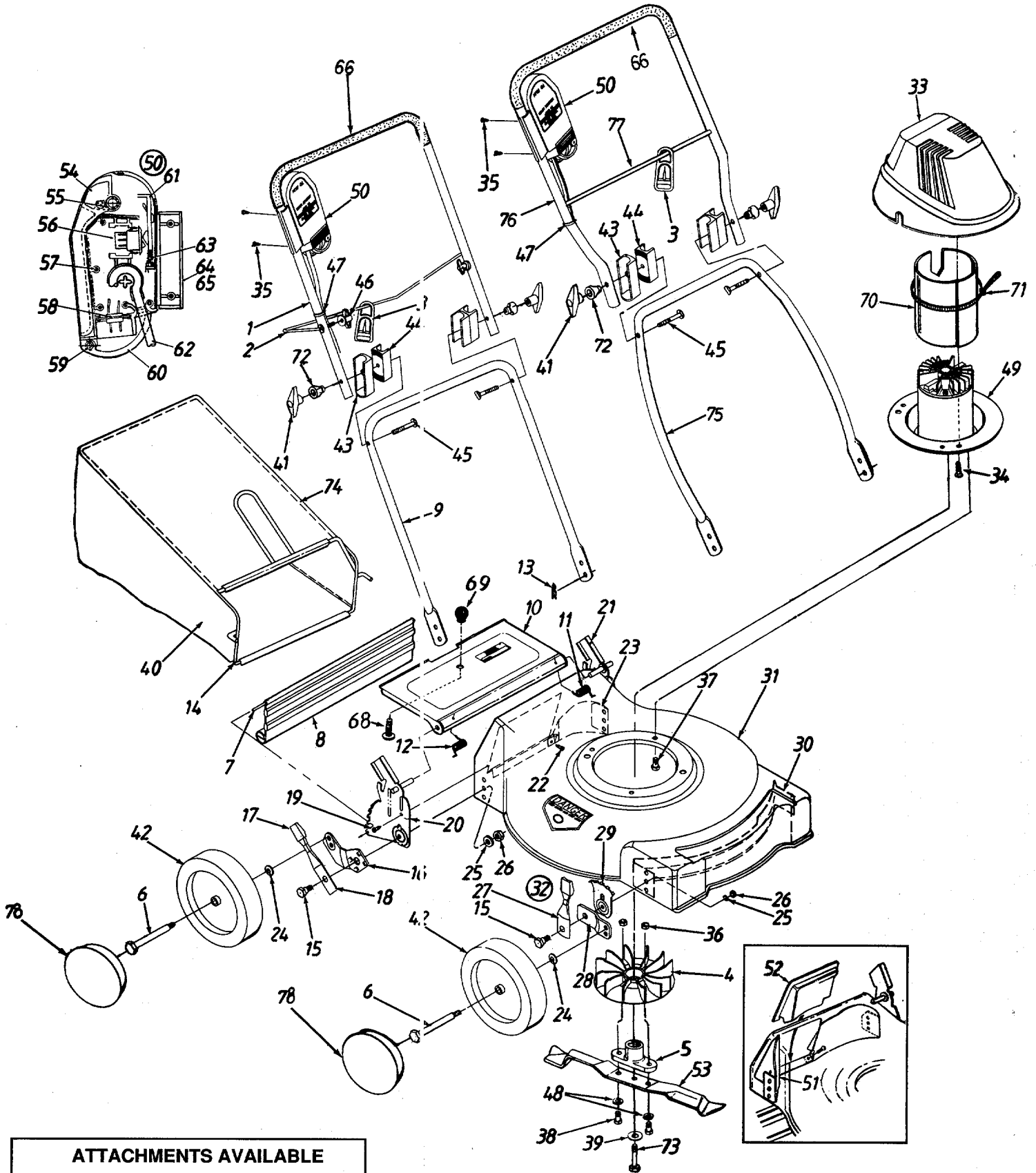


## 1995

## ELECTRIC AND BATTERY POWERED MOWERS

Model Number	Pages
185-387-000 .....	2, 3
185-707-000 .....	4, 5
185-708-000 .....	6, 7
185-798-000 .....	8, 9

# Model 387



**ATTACHMENTS AVAILABLE**  
 Mulching Kit — Model 190-099-000

# Model 387

## PARTS LIST FOR MODEL 387 ROTARY MOWER

REF. NO.	PART NO.	CODE	DESCRIPTION	REF. NO.	PART NO.	CODE	DESCRIPTION
1	749-0883		Upper Handle	38	710-0191		Hex Bolt 3/8-24 x 1.25" Lg.
2	747-0790		Cord Control Rod	39	736-0452		Bell-Wash. .396" I.D. x 1.14"
3	725-1590		Strain Relief—Cord	40	764-0446		Grass Bag
4	731-1270		Fan		764-0475		Grass Bag w/Logo
5	748-0356		Blade Adapter	41	720-0241		Plastic Knob
6	738-0102		Axle Bolt	42	734-1781		Wheel Ass'y. Comp. (8" x 1.75")
7	732-0712		Rear Flap Wire		734-1699		Wheel Ass'y. Comp. (7" x 1.5")
8	731-1261		Rear Flap	43	731-1268		Upper Handle Insulator
9	749-0885		Lower Handle	44	731-1267		Lower Handle Insulator
10	782-7025		Chute Door	45	710-0450		Carriage Bolt 5/16-18 x 3" Lg.
11	732-0677		Door Spring—L.H.	46	712-0397		Wing Nut 1/4-20 Thd.
12	732-0678		Door Spring—R.H.	47	726-0303		Cable Tie
13	714-0104		Hairpin Clip	48	736-0331		Bell-Wash. 3/8" I.D.
14	764-0326		Front Catcher Frame	49	818-60013		Motor, Cord & Switch Ass'y.
15	738-0507B		Shld. Bolt .5" Dia. x .434"	50	624-0032		Cord & Switch Ass'y. Comp.
16	14765		Pivot Bar—R.H.	51	782-5004		Mulching Baffle—R.R. (Optional)
	14766		Pivot Bar—L.H. (Not Shown)	52	782-5007		Mulching Baffle Plug (Optional)
17	720-0190		Spring Lever Knob	53	742-0719		19" Mulching Blade
18	732-0417A		Spring Lever	54	731-1210		Handle—Switch Actuator
19	710-0892		Hex L-Wash. Hd. AB-Tap Scr. 1/4 x .62" Lg.	55	732-0679		Spring—Switch Handle
				56	725-1565		Switch
20	682-0514		Handle Brkt. Ass'y.—R.H.	57	710-1147		Screw #6-32 x .5" Lg.
21	682-0513		Handle Brkt. Ass'y.—L.H.	58	729-0304		Plug Ass'y.
22	710-1017		Torx. Mach. AB-Tap Scr. 1/4 x .62" Lg.	59	732-0680		Retainer Plug Spring
				60	731-1211		Retainer Plug
23	782-5026		Rear Baffle	61	731-1198		Latch
24	736-0105		Bell-Wash. .38" I.D. x .88" O.D.	62	624-0053		Cord Ass'y. (Incl. Ref. #58)
25	736-0356		Bell-Wash. .39" I.D. x 1.38" O.D.	63	732-0681		Spring Latch
26	712-0798		Hex Nut 3/8-16 Thd.*	64	731-1208		Housing—Upper Half
27	14832		Spring Lever Ass'y. w/Knob	65	731-1209		Housing—Lower Half (Not Shown)
28	15262B		Pivot Bar				Foam Grip (Optional)
29	15261A		Height Adj. Plate	66	720-0226		Truss Scr. #10-24 x .38" Lg.
30	782-5025		Front Baffle	68	710-0192		Knob
31	782-0054		19" Deck	69	720-0275		Insulator
32	14578		Height Adj. Ass'y. Comp.—R.H.	70	721-0311		Cable Tie
	14579		Height Adj. Ass'y. Comp.—L.H. (Not Shown)	71	726-0209		Insulator Knob
				72	731-1388		Hex Bolt 3/8-24 x 2.5" Lg.
33	731-1263		Motor Cover	73	710-1251		Rear Catcher Frame
	731-1264		Motor Cover (Sears)	74	764-0325		Lower Handle
34	710-1128		Scr. #10-16 x .75" Lg.	75	749-0882		Upper Handle
35	710-1150		Self-Tap. Scr. #7 x 1" Lg.	76	749-0881		Cord Control Rod
36	712-0241		Hex Nut 3/8-24 Thd.	77	747-0825		Hub Cap (See Chart)
37	710-1006		Hex L-Wash. TT-Tap Scr. 3/8-16 x .75" Lg.	78	†		

\*For faster service obtain standard nuts, bolts and washers locally. If these items cannot be obtained locally, order by part number and size as shown on parts list.

### †Optional Hub Caps

Description	Part No.
Gray (3-1/2" Dia.)	720-0249
Gray (5-1/2" Dia.)	731-0981A
Beige (5-1/2" Dia.)	731-0982A
Black (1-7/8" Dia.)	720-0258

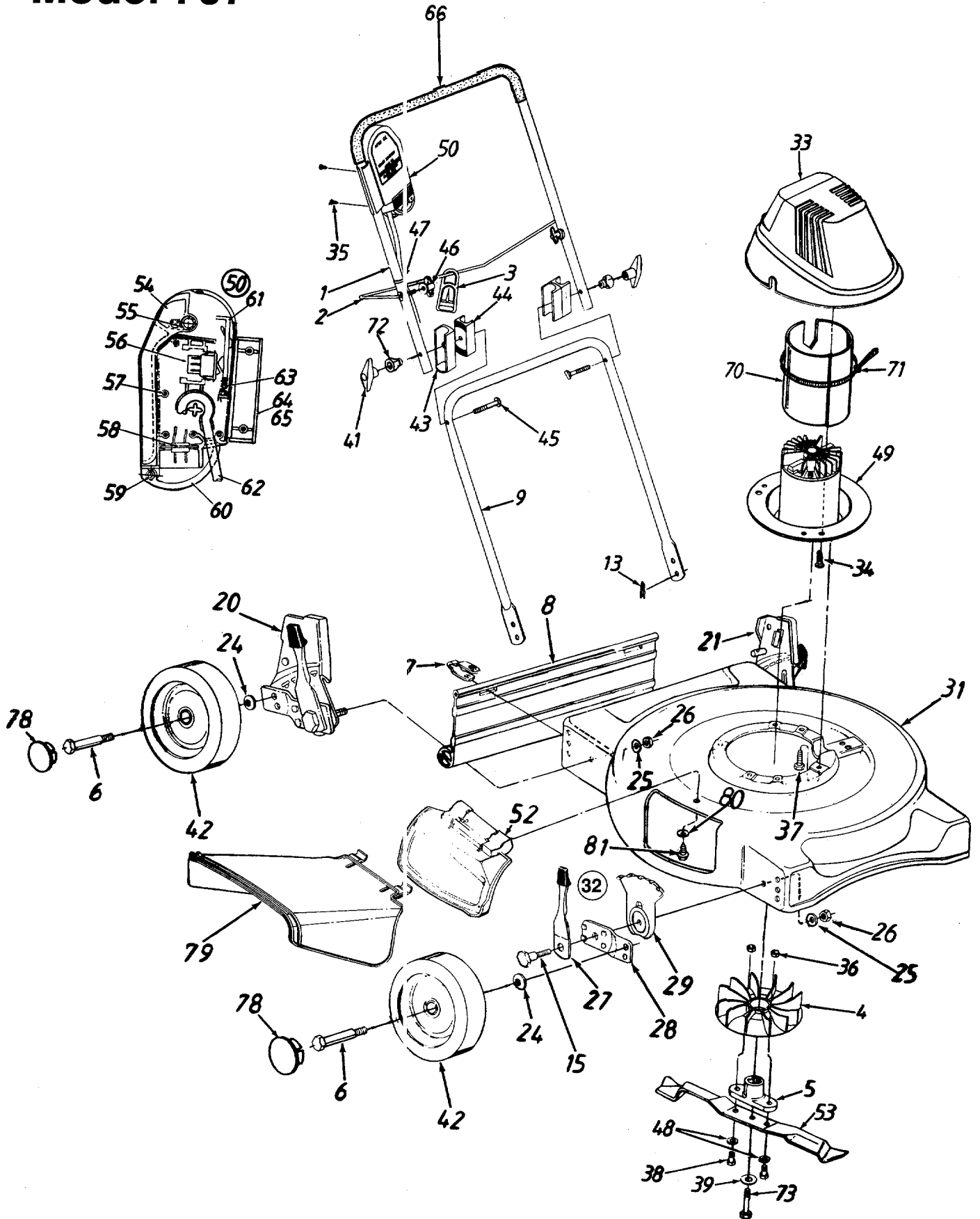


**WARNING: The motor is an important part of the double insulated system. To avoid the possibility of alteration or damage to the system, it is recommended that service be performed at a factory authorized service location.**



**WARNING: Insulators are safety components. It is very important that all parts be reassembled in positions shown.**

# Model 707



# Model 707

## PARTS LIST FOR MODEL 707 ROTARY MOWER

REF. NO.	PART NO.	CODE	DESCRIPTION	REF. NO.	PART NO.	CODE	DESCRIPTION
1	749-0883		Upper Handle	43	731-1268		Upper Handle Insulator
2	747-0790		Cord Control Rod	44	731-1267		Lower Handle Insulator
3	725-1590		Strain Relief—Cord	45	710-0450		Carriage Bolt 5/16-18 x 3" Lg.
4	731-1270		Fan	46	712-0397		Wing Nut 1/4-20 Thd.
5	748-0356		Blade Adapter	47	726-0303		Cable Tie
6	738-0102		Axle Bolt	48	736-0331		Bell-Wash. 3/8" I.D.
7	17098		Hinge Clip	49	818-60013		Motor, Cord & Switch Ass'y.
8	731-1028		Rear Flap	50	624-0032		Cord & Switch Ass'y. Comp.
9	749-0885		Lower Handle	52	682-7002		Mulching Plug
13	714-0104		Hairpin Clip	53	742-0718		18" Blade
15	738-0507B		Shld. Bolt .5" Dia. x .434"	54	731-1210		Handle—Switch Actuator
20	682-3024		Handle Brkt. Ass'y.—R.H.	55	732-0679		Spring—Switch Handle
21	682-3025		Handle Brkt. Ass'y.—L.H.	56	725-1565		Switch
24	736-0105		Bell-Wash. .38" I.D. x .88" O.D.	57	710-1147		Screw #6-32 x .5" Lg.
25	736-0356		Bell-Wash. .39" I.D. x 1.38" O.D.	58	729-0304		Plug Ass'y.
26	712-0798		Hex Nut 3/8-16 Thd.*	59	732-0680		Retainer Plug Spring
27	14832		Spring Lever Ass'y. w/Knob	60	731-1211		Retainer Plug
28	15262B		Pivot Bar	61	731-1198		Latch
29	15261A		Height Adj. Plate	62	624-0053		Cord Ass'y. (Incl. Ref. #58)
30	782-5025		Front Baffle	63	732-0681		Spring Latch
31	682-0218		18" Deck Ass'y.	64	731-1208		Housing—Upper Half
32	14578		Height Adj. Ass'y. Comp.—R.H.	65	731-1209		Housing—Lower Half (Not Shown)
	14579		Height Adj. Ass'y. Comp.—L.H. (Not Shown)	66	720-0226		Foam Grip (Optional)
33	731-1263		Motor Cover	70	721-0311		Insulator
34	710-1128		Scr. #10-16 x .75" Lg.	71	726-0209		Cable Tie
35	710-1150		Self-Tap. Scr. #7 x 1" Lg.	72	731-1388		Insulator Knob
36	712-0241		Hex Nut 3/8-24 Thd.	73	710-1251		Hex Bolt 3/8-24 x 2.5" Lg.
37	710-1006		Hex L-Wash. TT-Tap Scr. 3/8-16 x .75" Lg.	78	720-0258		Hub Cap (Optional)
38	710-0191		Hex Bolt 3/8-24 x 1.25" Lg.	79	731-1409		Chute Deflector
39	736-0452		Bell-Wash. .396" I.D. x 1.14"	80	736-0270		Bell-Wash. 1/4" I.D.
41	720-0241		Plastic Knob	81	710-0599		Hex Wash. Hd. TT-Tap Scr. 1/4-20 x .5" Lg.
42	734-1781		Wheel Ass'y. Comp. (8" x 1.75")				
	734-1699		Wheel Ass'y. Comp. (7" x 1.5")				

\*For faster service obtain standard nuts, bolts and washers locally. If these items cannot be obtained locally, order by part number and size as shown on parts list.

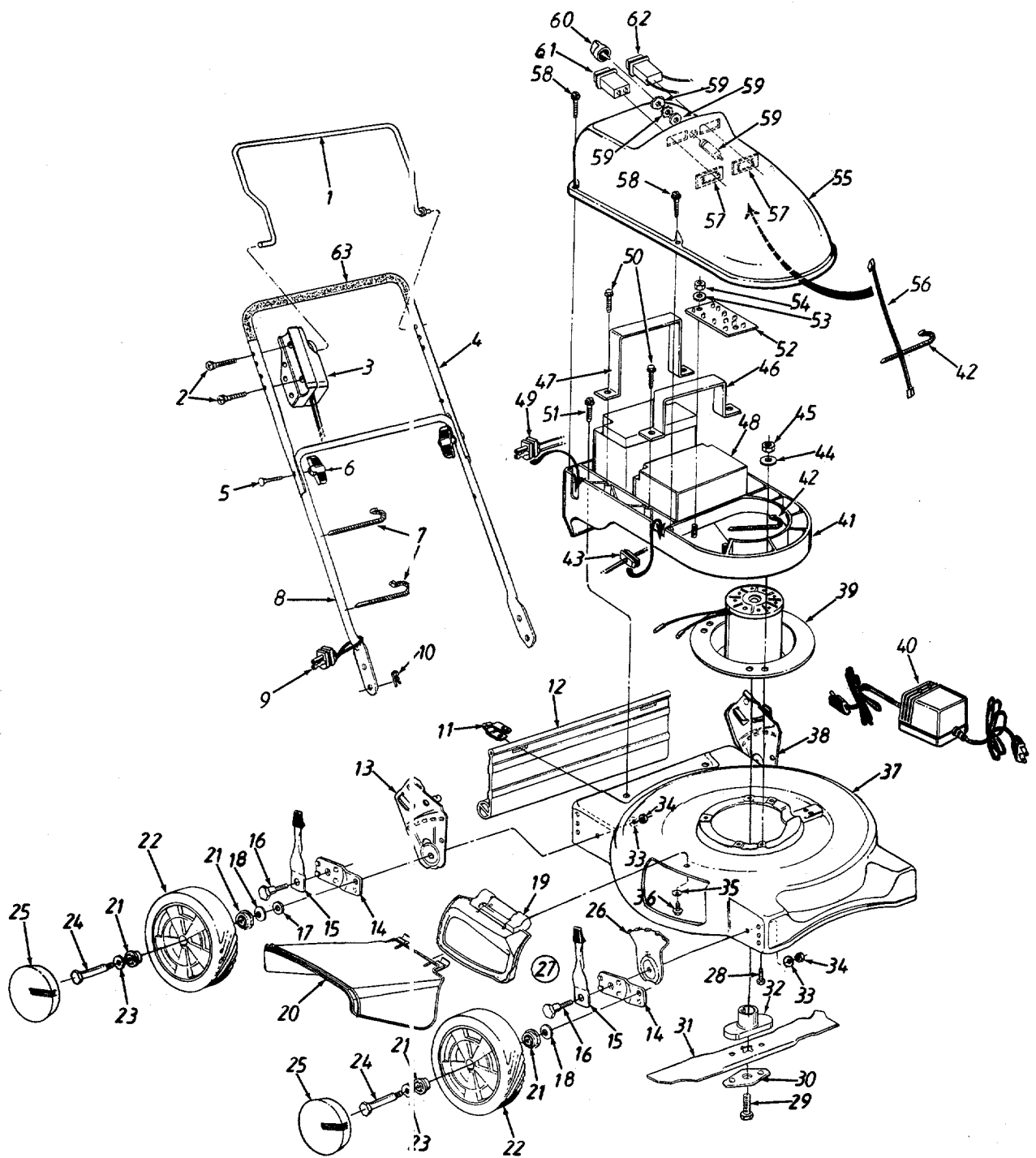


**WARNING:** The motor is an important part of the double insulated system. To avoid the possibility of alteration or damage to the system, it is recommended that service be performed at a factory authorized service location.



**WARNING:** Insulators are safety components. It is very important that all parts be reassembled in positions shown.

# Model 708

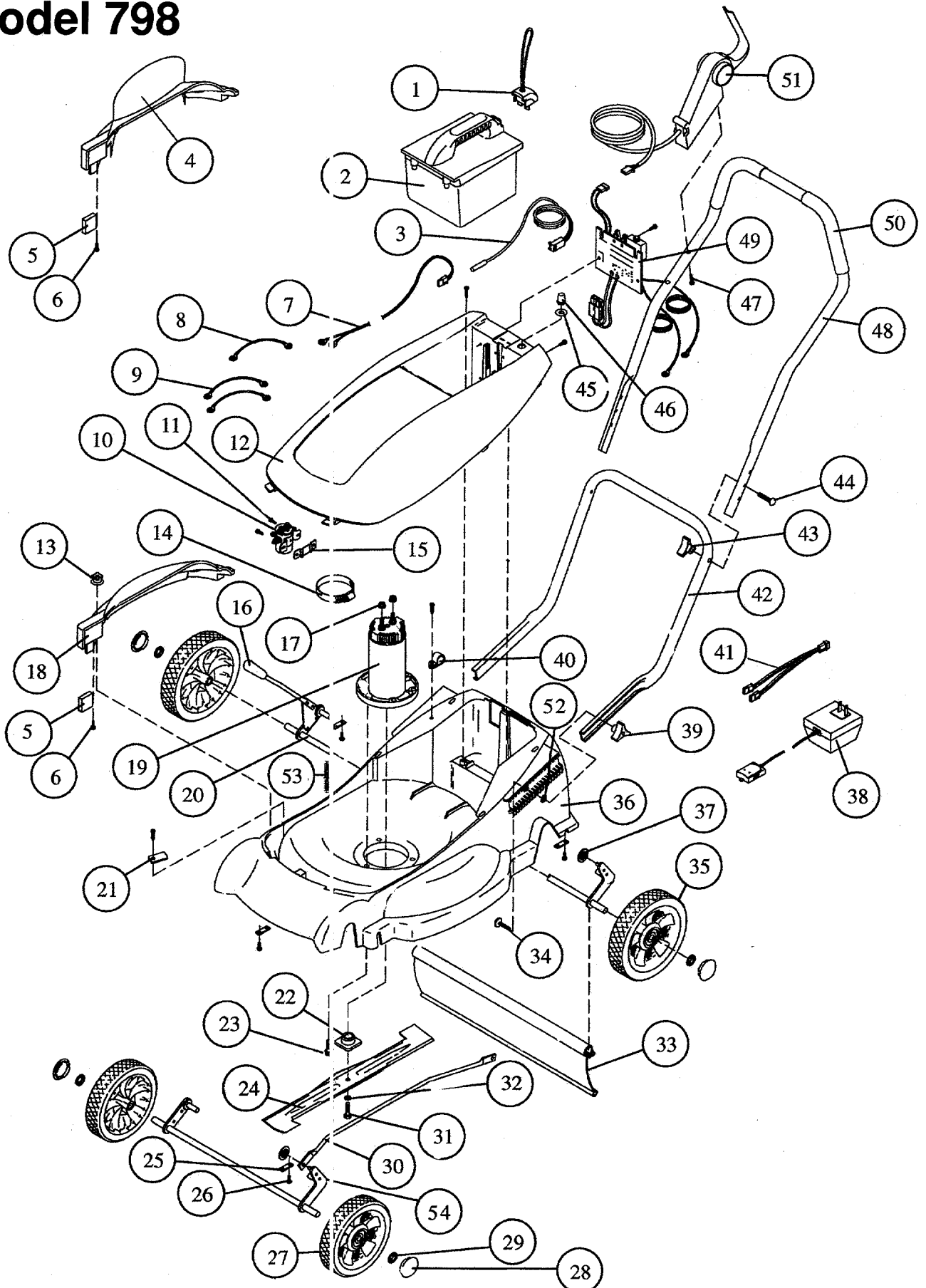


# Model 708

## PARTS LIST FOR MODEL 708 ROTARY MOWER

REF. NO.	PART NO.	CODE	DESCRIPTION	REF. NO.	PART NO.	CODE	DESCRIPTION
✓ 1	747-0622	N	Control Handle	32	748-0380		Blade Adapter
2	710-0605		C-Sunk Scr. 1/4-20 x 1.8" Lg.	33	736-0356		Bell-Wash. .39" I.D. x 1.38" O.D.
③	625-0010	N	Switch Ass'y.	34	712-0798		Hex Nut 3/8-16 Thd.
4	749-0538C		Upper Handle	35	736-0270		Bell-Wash. 1/4" I.D.
5	710-1174		Carr. Bolt 5/16-18 x 2" Lg.	36	710-0599		Hex Wash. Hd. TT-Tap Scr. 1/4 x .5" Lg.
6	720-0276		Handle Knob	37	682-0018		Deck Ass'y.
7	726-0240		Cable Tie	38	682-3001A		Handle Brkt. Ass'y.—L.H.
8	749-0928		Lower Handle	39	624-0033		Motor Ass'y.
9	725-1206		Plug	40	725-1684		Charger
10	714-0104		Hairpin Clip	41	731-1593	N	Tray Ass'y.
11	17098		Hinge Clip	42	726-0317		Cable Tie
12	731-1028		Rear Flap	43	629-0235	N	Harness Ass'y. Switch
13	682-3000A		Handle Brkt. Ass'y.—R.H.	44	736-3050		FI-Wash. .406" I.D.
14	15262B		Wheel Pivot Bar	45	712-0181		Hex L-Nut 3/8-16 Thd.
15	14832		Spring Lever Ass'y. w/Knob	46	682-9016	N	Front Bracket Ass'y.
16	738-0507B		Shld. Bolt .5" Dia. x .43" Lg.	47	682-9017	N	Rear Bracket Ass'y.
17	736-0258		FI-Wash. .385" I.D. x 1" O.D.	48	625-0017	N	Battery Ass'y.
18	736-0105		Bell-Wash. .38" I.D. x .88" O.D.	49	629-0251	N	Charger Plug
19	682-7002		Mulching Plug Ass'y.	50	710-0895		Hex Hd. Hi-Lo Scr. 1/4 x .75" Lg.
20	731-1409		Chute Deflector	51	710-0788		Hex Wash. Hd. TT-Tap Scr. 1/4-20 x 1" Lg.
21	741-0484		Ball Bearing	52	725-1689	N	Circuit Board
22	734-1513B		Wheel Ass'y.	53	736-0534		FI-Wash. .21" I.D. x .56" O.D.
23	736-0504		Wave Wash. .51" I.D. x .75" O.D.	54	712-3060		Pinnut Self-Threading
24	738-0213		Shld. Bolt .498" Dia. x 1.45	55	731-1594		Motor Cover
25	720-0249		Hub Cap	56	629-0249		Key Switch Harness Ass'y.
26	15261A		Height Adj. Plate	57	725-1687		Mounting Clamp
27	14578		Height Adj. Ass'y. Comp.—R.F.	58	710-0589		Hex AB-Tap Scr. #10 x .75" Lg.
	14579		Height Adj. Ass'y. Comp.—L.F. (Not Shown)	59	725-1676		Key Switch
28	710-0654A		Hex Wash. Self-Tap Scr. 3/8-16 x 1" Lg.	60	725-1341B		Key
29	710-1251		Hex Bolt 3/8-24 x 2.5" Lg.	61	725-1685		Meter
30	736-0524		Blade Bell Support	62	725-1686		Meter
31	742-0743	N	18" Blade	63	720-0226		Foam Grip (Optional)

# Model 798





# Model 798

## PARTS LIST FOR MODEL 798 ROTARY MOWER

REF. NO.	PART NO.	DESCRIPTION	REF. NO.	PART NO.	DESCRIPTION
1	497399	Key Assembly	29	751B94933	Retainer
2	497395	Battery Pack Assembly	30	751B263068	Height Adjustor Link
3	751B497496	Interlock Switch Assembly	31	751B94932	Blade Mounting Bolt
4	751B281488	Discharge Chute	32	751B90366	Washer, Split Ring
5	751B211884	Magnet	33	751B281492	Drag Shield
6	751B94969	Screw	34	751B263067	Lower Handlebar Bolt
7	497875	Circuit Board Wire Assembly	35	751B497387	Rear Wheel
8	497873	Solenoid Wire Assembly	36	751B281485	Mower Deck
9	497888	Solenoid Wire Assembly	37	751B94972	Link retainer
10	497878	Solenoid	38	497400	Charger
11	805448	Regulator Screw	39	751B281495	Handlebar Knob
12	751B281486	Mower Cover	40	751B281559	Wire Clamp
13	751B281051	Knob	41	497435	Harness, Battery Charger
14	393514	Regulator Clamp	42	751B263071	Lower Handlebar
15	222934	Regulator Bracket	43	751B281495	Handlebar Knob
16	751B281512	Height Adjustor Handle	44	751B94937	Handlebar Bolt
17	94949	Motor Nut	45	273147	Circuit Breaker Label
18	751B281487	Mulching Cover	46	281530	Circuit Breaker Boot
19	497383	Motor	47	751B94941	Handlebar Screw
20	751B497385	Height Adjustor, Rear	48	751B263070	Upper Handlebar
21	751B68848	Retainer	49	497627	Motor Control
22	751B263059	Blade Adaptor	50	751B281497	Foam Grip
23	751B94939	Bolt, Motor	51	751B497392	Deadman Control Assembly
24	751B225145	Blade	52	751B94936	Bolt Retainer
25	751B225151	Axle Retainer	53	751B263064	Chute Stud
26	751B94969	Screw	54	751B497384	Height Adjustor (Front)
27	751B497386	Front Wheel	55	751B281532	Cord Clip
28	751B281500	Hubcap			



