

Belt-Pack Transmitter

6. Sliding the power switch of the transmitter control panel to "on" position, as shown in Fig. 6, the battery status indicating gives a flash to indicate a normal operation. If there is no flashing, it indicates either power supply is not available or battery is installed wrongly. If the indicator keeps lighting, it indicates that battery is weak, a replacement is necessary.

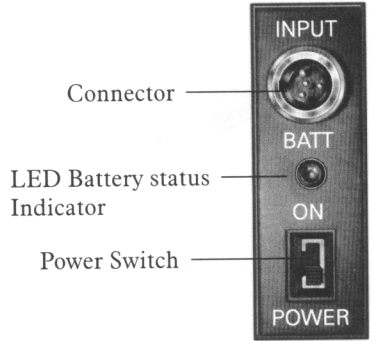


Fig. 6

7. The pin arrangement of the transmitter's connector jack is shown in Fig. 7. A unique feature of the M-303 is its separate high/low impedance and bias with the same jack for ECM input. You could properly match the high impedance input signals such as electric guitar, or low impedance input signals such as dynamic microphone, then choose the proper input connecting cable and plug correctly, as shown in Fig. 8, 9, and 10.

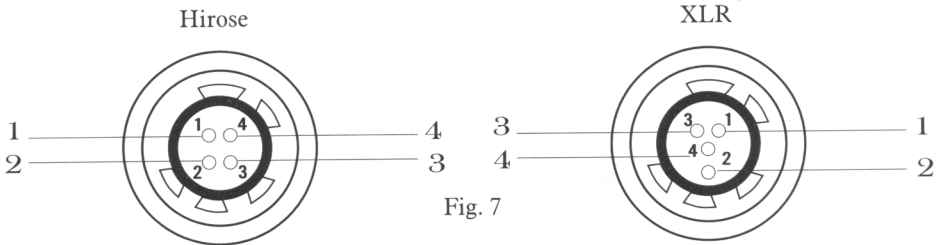


Fig. 7

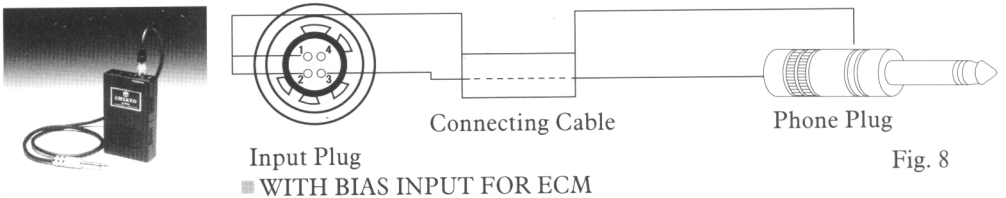


Fig. 8