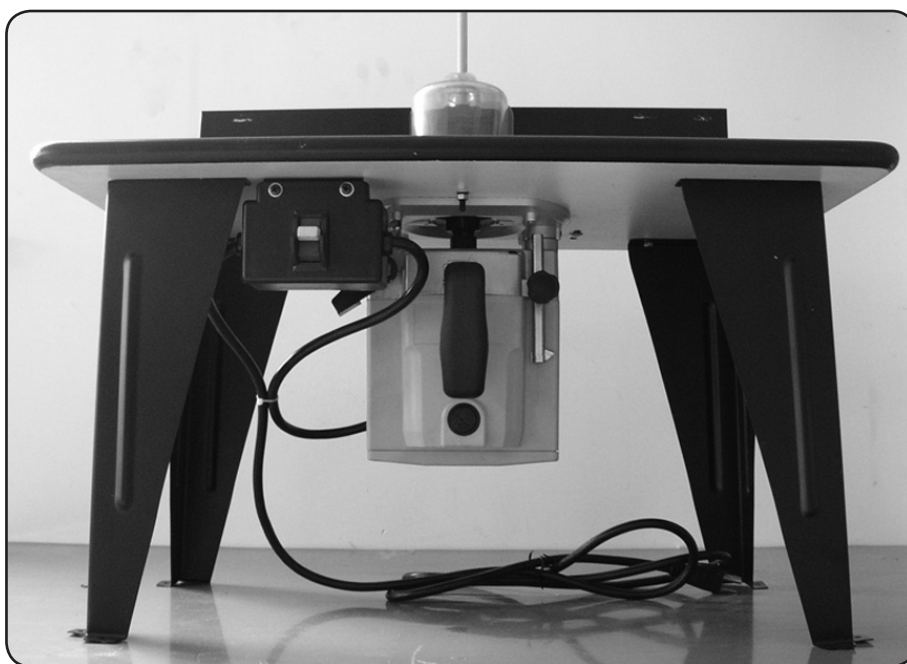


CHICAGO
Electric[®]Power Tools

ROUTER TABLE WITH ROUTER

Model 95380

SET UP AND OPERATING INSTRUCTIONS



Visit our website at: <http://www.harborfreight.com>



**Read this material before using this product.
Failure to do so can result in serious injury.
SAVE THIS MANUAL.**

Copyright[®] 2006 by Harbor Freight Tools[®]. All rights reserved. No portion of this manual or any artwork contained herein may be reproduced in any shape or form without the express written consent of Harbor Freight Tools. Diagrams within this manual may not be drawn proportionally. Due to continuing improvements, actual product may differ slightly from the product described herein. Tools required for assembly and service may not be included.

For technical questions or replacement parts, please call 1-800-444-3353.

SPECIFICATIONS

Motor	110 VAC / 60 Hz / 11 A / 1-3/4 HP / 20,000 Maximum RPM
Router Type	Plunge Router with Brake
Router Power Cord	SJT 16 AWG x 2C
Router Table Power Switch	Rocker (ON/OFF) with Safety Key
Router Table Power Cord	16 AWG 3C
Router Table Power Plug	3-Prong / Grounded
Router Collet Sizes	1/2" with 3/8" & 1/4" Adapters
Router Depth Scale	1" to 3" in 1/16" Increments
Miter Gauge Dimensions	5-1/2" Long x 3" Wide x 1-1/2" High
Miter Gauge Capacity	0° to 60° (Left & Right)
Table Dust Port Dimensions	1-3/8" Outside Diameter
Table Top Dimensions	14-3/8" Long x 23-3/4" Wide x 3/4" Thick
Overall Dimensions	14-13/16" Long x 23-3/4" Wide x 15-3/4" High
Additional Features	19 Gauge Steel Legs / Clear Plastic Guard
Weight	20 Pounds



SAVE THIS MANUAL

You will need this manual for the safety warnings and precautions, assembly, operating, inspection, maintenance and cleaning procedures, parts list and assembly diagram. Keep your invoice with this manual. Write the invoice number on the inside of the front cover. Keep this manual and invoice in a safe and dry place for future reference.

GENERAL SAFETY RULES



WARNING! Read all instructions

Failure to follow all instructions listed below may result in electric shock, fire, and/or serious injury. The term "power tool" in all of the warnings listed below refers to your mains-operated (corded) power tool or battery-operated (cordless) power tool.

SAVE THESE INSTRUCTIONS

WORK AREA


1. **Keep your work area clean and well lit.** Cluttered benches and dark areas invite accidents.
2. **Do not operate the Router in explosive atmospheres, such as in the presence of flammable liquids, gases, or dust.** Power equipment creates sparks which may ignite the dust or fumes.
3. **Keep bystanders, children, and visitors away while operating power equipment.** Distractions can cause you to lose control. Protect others in the work area from debris such as chips and sparks. Provide barriers or shields as needed. Children and visitors should never be in the work area.

ELECTRICAL SAFETY

1. **Grounded tools must be plugged into an outlet properly installed and grounded in accordance with all codes and ordinances. Never remove the grounding prong or modify the plug in any way. Do not use any adapter plugs. Check with a qualified electrician if you are in doubt as to whether the outlet is properly grounded.** If the tools should electrically malfunction or break down, grounding provides a low resistance path to carry electricity away from the user.
2. **Avoid body contact with grounded surfaces such as pipes, radiators, ranges, and refrigerators.** There is an increased risk of electric shock if your body is grounded.
3. **Do not expose power tools to rain or wet conditions.** Water entering power equipment will increase the risk of electric shock.
4. **Do not abuse the Power Cord. Never use the Power Cord to pull the Plug from an outlet. Keep the Power Cord away from heat, oil, sharp edges, or moving parts. Replace damaged Power Cords immediately.** Damaged Power Cords increase the risk of electric shock.

PERSONAL SAFETY

1. **Stay alert. Watch what you are doing, and use common sense when operating the Router. Do not use the tool while tired or under the influence of drugs, alcohol, or medication.** A moment of inattention while operating power tools may result in serious personal injury.
2. **Dress properly. Do not wear loose clothing or jewelry. Contain long hair. Keep your hair, clothing, and gloves away from moving parts.** Loose clothes, jewelry, or long hair can be caught in moving parts.
3. **Use the right product for the job.** Do not attempt to force small equipment to do the work of larger industrial equipment. There are certain applications for which this product was designed. It will do the job better and safer at the rate and capacity for which it was designed. Do not modify this product, and do not use this product for a purpose for which it was not designed.
4. **Avoid accidental starting. Be sure the Power Switch is off before plugging in.** Plugging in power equipment with the Power Switch on, invites accidents.
5. **Remove adjusting keys or wrenches before turning the power tool on.** A wrench or a key that is left attached to a rotating part of the Router may result in personal injury.
6. **Do not overreach. Keep proper footing and balance at all times.** Proper footing and balance enables better control of the Router in unexpected situations.

7.  **Use safety equipment. Always wear ANSI-approved safety impact eye goggles.** Dust mask or respirator, and hearing protection must be used for appropriate conditions.

TOOL USE AND CARE

1. **Do not force the Router. Use the correct tool for your application.** The correct tool will do the job better and safer at the rate for which it is designed.
2. **Do not use the Router if the Power Switch does not turn it on or off.** Any tool that cannot be controlled with the Power Switch is dangerous and must be replaced.
3. **Disconnect the Power Cord Plug from the power source before making any adjustments, changing accessories, or storing the Router.** Such preventive safety measures reduce the risk of starting the tool accidentally.
4. **Store idle tools and equipment out of reach of children and other untrained persons.** Tools and equipment are dangerous in the hands of untrained users.
5. **Maintain this product with care. Keep the Router and its Table clean and in proper working order.** Properly maintained tools and equipment are easier to control. Do not use damaged tools and equipment. Tag damaged tools and equipment “Do not use” until repaired.
6. **Check for misalignment or binding of moving parts, breakage of parts, and any other condition that may affect the Router’s operation. If damaged, have the tool serviced before using.** Many accidents are caused by poorly maintained tools.
7. **Use only accessories that are recommended by the manufacturer for your model.** Accessories that may be suitable for one product may become hazardous when used on another product.

SERVICE


1. **Tool service must be performed only by qualified repair personnel.** Service or maintenance performed by unqualified personnel could result in a risk of injury.
2. **When servicing a tool, use only identical replacement parts. Follow instructions in the “*Inspection, Maintenance, And Cleaning*” section of this manual.** Use of unauthorized parts or failure to follow maintenance instructions may create a risk of electric shock or injury.

SPECIFIC SAFETY RULES

1. **Maintain labels and nameplates on the Router and its Table.** These carry important information. If unreadable or missing, contact Harbor Freight Tools for a replacement.
2. **Avoid unintentional starting.** Make sure you are prepared to begin work before turning on the Router.
3. **Do not force the Router.** This tool will do the work better and safer at the speed and capacity for which it was designed.
4. **This Router is designed for use only with 1/2" Router Bits and 3/8" and 1/4" Adapters rated at 20,000 RPM or greater.**
5. **⚠ WARNING! Keep hands and fingers away from the cutting area and Router Bit** (not included). Use a "push stick" (not included) when necessary.
6. **Make sure the Router Table is securely attached to a dry, flat, level, sturdy workbench surface capable of supporting the weight of the unit, accessories, and workpieces.**
7. **Never leave the Router Table unattended when it is plugged into an electrical outlet.** Always unplug the unit from its electrical outlet before leaving.
8. **Industrial applications must follow OSHA guidelines.**
9. **Never stand on the Router Table.** Serious injury could result if the unit is tipped.
10. **Always unplug the Router Table from its power supply source before performing any inspection, maintenance, or cleaning procedures.**
11. **Keep all guards in place and in proper working order.**
12. **Allow the Router Bit** (not included) **to spin up to full speed before feeding a workpiece into the Bit.** When turning off the Router, allow the Bit to spin down and stop on its own. Do not press against the Bit to stop it.
13. **Turn off the Router and allow the Router Bit** (not included) **to stop on its own if the workpiece is to be backed out of an uncompleted cut.**
14. **Never attempt to remove material stuck in the moving parts of the Router while it is plugged in and running.**
15. **When routing a large workpiece, make sure its entire length is properly supported.** If necessary, use a roller stand (not included) with larger workpieces.
16. **Never attempt to cut freehand.** Make sure the workpiece to be cut is pressed firmly against the Table's Fence.

17. **Never cut pieces too small to be held securely against the Table's Fence without leaving enough space for the hand to be a safe distance from the Router Bit** (not included).
18. **Make sure the Table and surrounding area are clear with the exception of the workpiece to be cut.**
19. **Before each use of the Router, make sure it is securely attached to the Router Table.**
20. **The Router Table is designed for cutting flat workpieces only.** Do not attempt to cut workpieces that are not flat.
21. **The Router and Router Table are designed for cutting wood workpieces only.** Do not attempt to use the Router and its Table to cut metal or other non-wood materials.
22. **Never attempt to cut more than one workpiece at a time.**
23. **Always make sure the work surface of the Router Table is clean and free of dust, wood chips, and other debris that can interfere with the cut you are going to make.**
24. **Always keep children and other unauthorized people away from the Router Table.** Unplug the Table, and remove the Power Switch's Safety Key when the Table is not in use.
25. **Never reach under the Router Table for any reason when the Router is running.**
26. **Avoid overloading the Router.** If the speed drops abnormally, decrease the pressure on the workpiece immediately.
27. **Use the right tool for the job.** Do not attempt to force a small tool or attachment to do the work of a larger industrial tool. There are certain applications for which this tool was designed. It will do the job better and more safely at the rate for which it was intended. Do not modify this tool, and do not use this tool for a purpose for which it was not intended.
28. **Always use sharp Router Bits** (not included). If the Bit stops abruptly, or the Bit becomes blocked, turn the Router Table's Power Switch to its "OFF" position immediately.
29. **Before routing, run the Router for about ten seconds to ensure all moving parts are running smoothly and there are no loose parts, rattles, or sparking that would indicate damage.**
30. **WARNING!** Some dust created by power sanding, sawing, grinding, drilling, and other construction activities, contain chemicals known (to the State of California) to cause cancer, birth defects or other reproductive harm. Some

examples of these chemicals are: lead from lead-based paints, crystalline silica from bricks and cement or other masonry products, arsenic and chromium from chemically treated lumber. Your risk from these exposures varies, depending on how often you do this type of work. To reduce your exposure to these chemicals: work in a well ventilated area, and work with approved safety equipment, such as those dust masks that are specially designed to filter out microscopic particles. (California Health & Safety Code § 25249.5, *et seq.*)

31. People with pacemakers should consult their physician(s) before use. Electromagnetic fields in close proximity to heart pacemaker could cause pacemaker interference or pacemaker failure.
32.  **WARNING!** The warnings and cautions discussed in this manual cannot cover all possible conditions and situations that may occur. It must be understood by the operator that common sense and caution are factors which cannot be built into this product, but must be supplied by the operator.

SAVE THESE INSTRUCTIONS

GROUNDING

WARNING

Improperly connecting the grounding wire can result in electric shock.



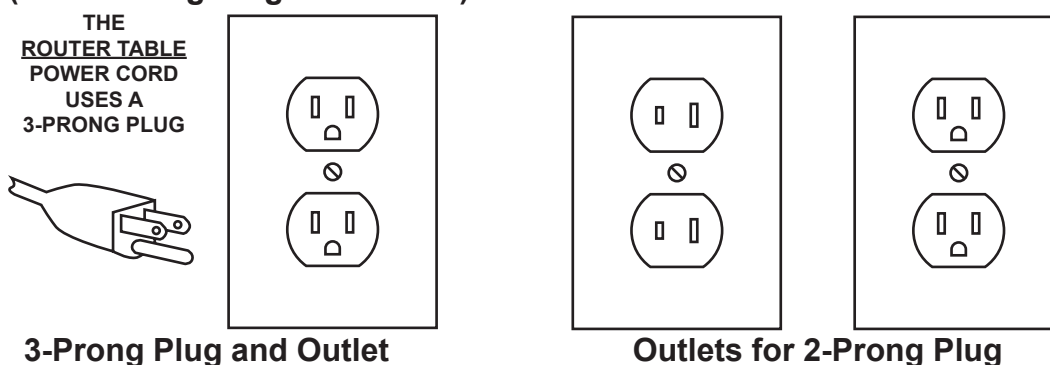
Check with a qualified electrician if you are in doubt as to whether the outlet is properly grounded. Do not modify the power cord plug provided with the tool. Never remove the grounding prong from the plug. Do not use the tool if the power cord or plug is damaged. If damaged, have it repaired by a service facility before use. If the plug will not fit the outlet, have a proper outlet installed by a qualified electrician.

Grounded Tools: Tools with Three Prong Plugs

1. Tools marked with “Grounding Required” have a three wire cord and three prong grounding plug. The plug must be connected to a properly grounded outlet. If the tool should electrically malfunction or break down, grounding provides a low resistance path to carry electricity away from the user, reducing the risk of electric shock. **(See 3-Prong Plug and Outlet.)**
2. The grounding prong in the plug is connected through the green wire inside the cord to the grounding system in the tool. The green wire in the cord must be the only wire connected to the tool’s grounding system and must never be attached to an electrically “live” terminal. **(See 3-Prong Plug and Outlet.)**

- The tool must be plugged into an appropriate outlet, properly installed and grounded in accordance with all codes and ordinances. The plug and outlet should look like those in the following illustration.

(See 3-Prong Plug and Outlet.)



Double Insulated Tools: Tools with Two Prong Plugs

- Tools marked “Double Insulated” do not require grounding. They have a special double insulation system which satisfies OSHA requirements and complies with the applicable standards of Underwriters Laboratories, Inc., the Canadian Standard Association, and the National Electrical Code.
(See Outlets for 2-Prong Plug.)
- Double insulated tools may be used in either of the 120 volt outlets shown in the preceding illustration. **(See Outlets for 2-Prong Plug.)**

Symbology

	Double Insulated	$V \sim$	Volts Alternating Current
	Canadian Standards Association	A	Amperes
	Underwriters Laboratories, Inc.	n_0 xxxx/min.	No Load Revolutions per Minute (RPM)

UNPACKING

When unpacking, check to make sure all the parts shown on the **Parts List on pages 16 and 17** are included. If any parts are missing or broken, please call Harbor Freight Tools at the number shown on the cover of this manual as soon as possible.

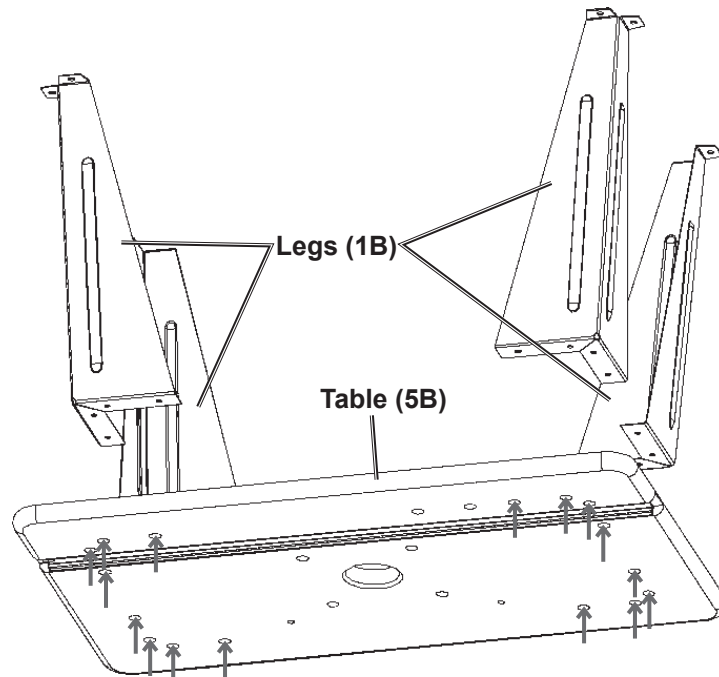
ASSEMBLY INSTRUCTIONS

Note: For additional information regarding the parts listed in the following pages, refer to the **Assembly Diagram on pages 16 and 17.**

⚠ CAUTION! Always make sure the Power Switch (2B) of the Router Table is in its “OFF” position and the unit is unplugged from its electrical outlet prior to performing any assembly procedures.

To Attach the Legs to the Table:


1. Carefully turn the Router Table (5B) upside down.
2. Insert a Machine Screw (25B) through each of the 16 holes indicated with an arrow in Figure A, below. Insert them so that the heads are near the top of the table and the threads stick out to allow the Legs to be attached.



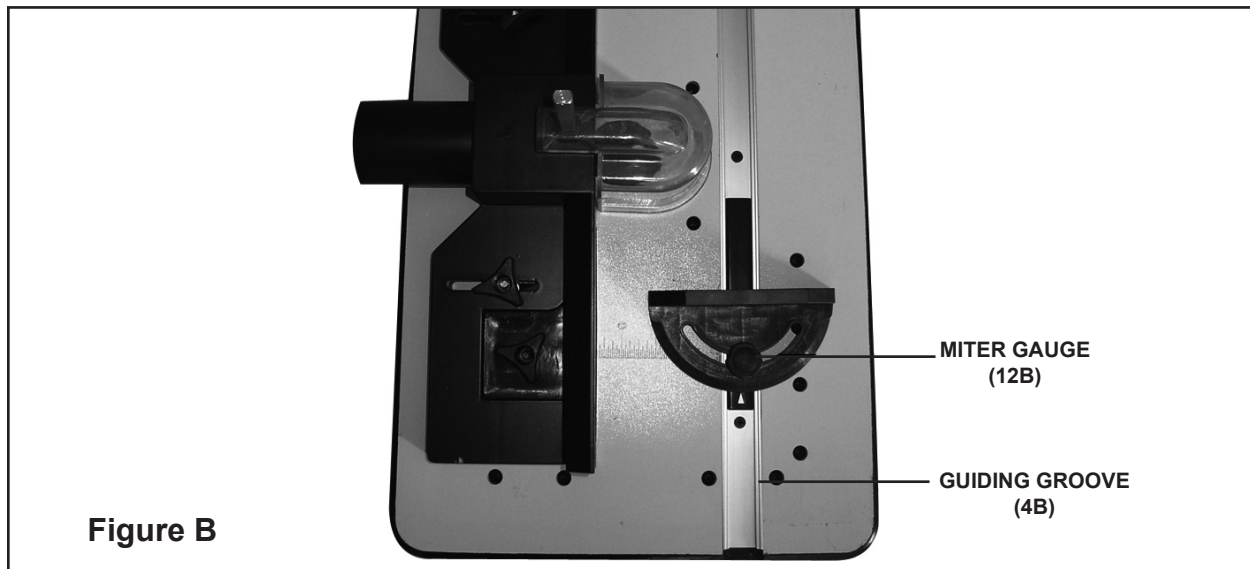
**Figure A - Insert Machine Screws (25B)
upwards through the Table.**

3. Each Leg (1B) has four holes at its top. Place those holes over the ends of the Screws as shown in Figure A.
4. Secure the Legs to the Screws using the Spring Lock Washers (17B) and Nuts (18B). Tighten securely.

To Mount The Router Table On A Workbench:

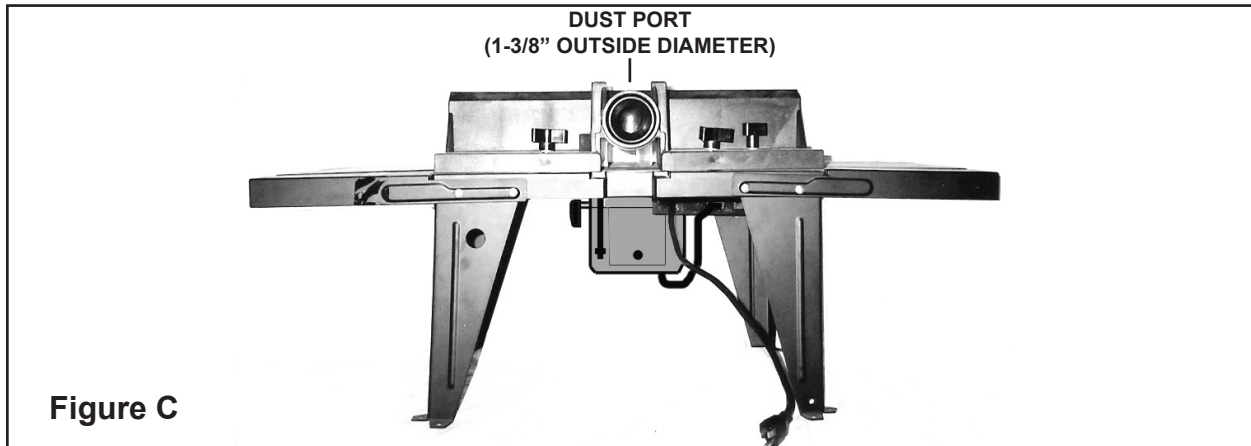
1.  **CAUTION!** Make sure the Router Table is securely attached to a dry, flat, level, sturdy workbench surface capable of supporting the weight of the unit, accessories, and workpieces.
2. At the bottom of each of the four Legs (1B) of the Router Table are two 1/4" diameter mounting holes. **(See Assy. Diagram B.)**
3. With assistance, place the Router Table in the desired location on the workbench. Then use the mounting holes (eight total) in the Legs (1B) as a template to mark where eight 1/4" diameter holes are to be drilled through the workbench.
4. Temporarily remove the Router Table from the workbench. Then, using a 1/4" drill bit (not included), drill the pre-marked holes through the workbench. Always check for hidden obstructions in the drilling path.
5. Place the Router Table back on the workbench and align the mounting holes in its Legs (1B) with the pre-drilled holes in the workbench.
6. Secure the Router Table to the workbench, using eight 1/4" diameter Bolts of appropriate length, eight Lock Washers, and eight Nuts (none included).

To Install The Miter Gauge:



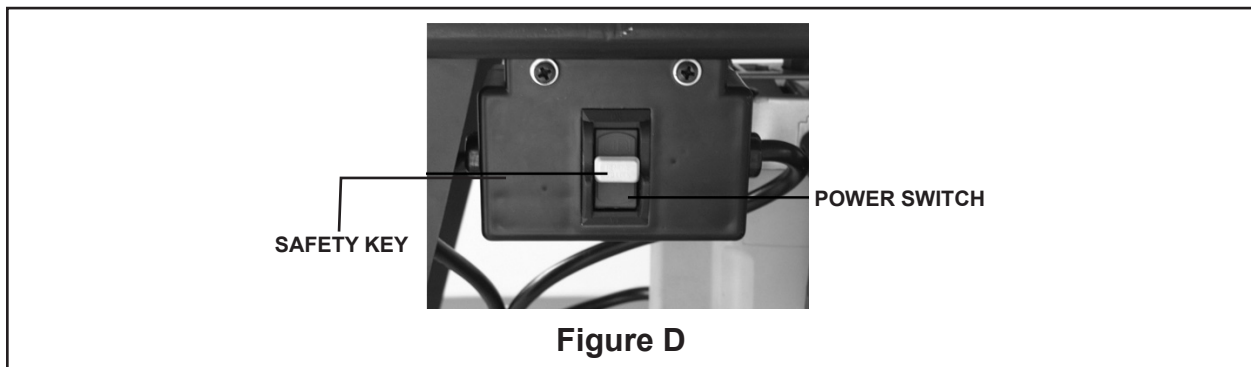
Make sure the Guiding Groove (4B) on the Worktable (5B) top is clean and free of all debris. Then, insert the Miter Bar of the Miter Gauge (12B) in the groove. Slide the Miter Gauge assembly forward and backward in the groove to ensure proper installation. **(See Figure B.)**

To Connect A Vacuum Hose To The Dust Port:



The Dust Port of the Router Table is 1-3/8" O.D. (outside diameter) and is located at the rear of the Router Table. Use an automotive hose clamp (not included) to secure an appropriate size vacuum hose (not included) to the Dust Port. (See Figure C.)

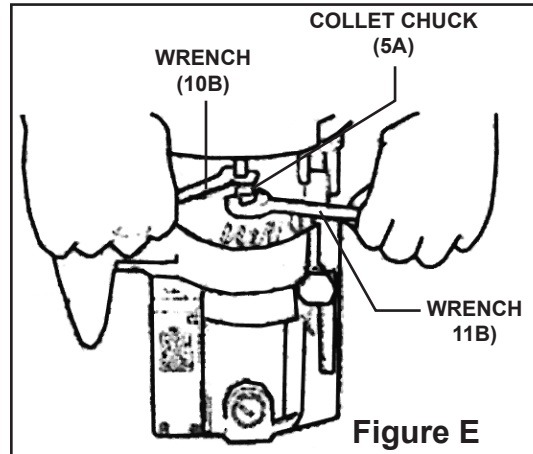
The Router Table Power Switch/Outlets Assembly:



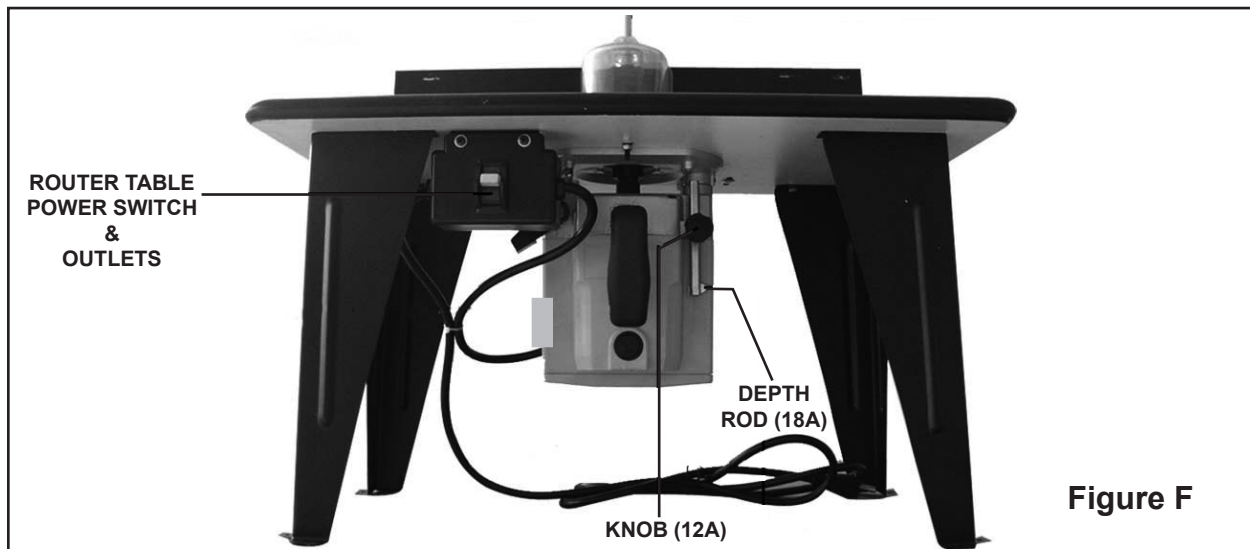
1. The Power Switch/Outlets (2B) assembly is equipped with a Safety Key to help prevent unauthorized use of the Router Table. (See Figure D.)
2. To provide power to the Router Table, connect the Power Cord/Plug of the Power Switch/Outlets assembly to the nearest 110 volt, grounded, electrical outlet. Insert the Safety Key into the Power Switch (2B), and pull up on the Power Switch to provide power to the Router Table (and Router). To shut off power to the Router Table (and Router), push down on the Power Switch and remove the Safety Key. Make sure to store the Safety Key in a safe location, out of reach of children and other unauthorized people. (See Figure D.)
3. The Power Switch/Outlets (2B) assembly also provides two 110 volt, grounded, electrical outlets with which to provide electrical power to the Router and/or another electrically powered tool.

To Install A Router Bit:

1. **⚠ WARNING! Make sure the Power Switch of the Router Table is in its “OFF” position and the Router Table is not plugged into an electrical outlet.**
2. Fully insert the Router Bit (not included) into the Collet Chuck (5A). Firmly tighten the Collet Chuck with the two accessory Wrenches (10B, 11B). (See Figure E.)




To Adjust The Depth Of The Cut:



1. Loosen the Lock Lever (8A). Then, loosen the Knob (12A). (See Figure F and Assy. Diagram A.)
2. Adjust the Router to obtain the required cutting depth. Then, retighten the Lock Lever.
3. Adjust the Depth Rod (18A) on the Router to read “0” when the router bit is flush with the table top. Check to make sure that even if released with the Lock Lever, the Router stops at the determined depth for repeated cuts.

Note: Minute depth adjustments (in 1/16” increments) can be made by raising or lowering the Depth Rod (18A). (See Figure F and Assy. Diagram A.)

BASIC OPERATING INSTRUCTIONS



 **WARNING!** Use safety equipment. Always wear ANSI-approved safety impact eye goggles. Dust mask or respirator, and hearing protection must be used for appropriate conditions.

1. **Make sure the Power Switch of the Router Table is in its “OFF” position and the Table is not plugged into an electrical outlet.** Then, install a Router Bit (not included) onto the Router and adjust its cutting depth.
2. Make all necessary adjustments to the Router Table’s Fence (6B), Adjustable Fence (9B), and Miter Gauge (12B) depending on the cut(s) to be made to the workpiece. Also, check to make sure the retractable Guard (8B) is in proper working order.
3. Check to make sure the Router Table’s Power Switch/Outlets (2B) assembly is in its “OFF” position. Then connect the Router Table’s Power Switch/Outlets assembly into the nearest 110 volt, grounded, electrical outlet.
4. **Note:** Before first use of the Router on a workpiece it is recommended that you test and practice with the Router using a scrap workpiece.
5. Insert the Safety Key of the Router Table’s Power Switch/Outlets (2B), and pull up on the Power Switch to provide power to the Router Table and Router.
6. Make sure to hold the workpiece firmly against the Router Table’s Stationary Fence (6B), Adjustable Fence (9B), and Miter Gauge (12B) depending on the cut(s) to be made to the workpiece.
7. Allow the Bit of the Router to rotate up to full speed, **then feed the workpiece gradually from right to left against the rotation of the Bit.** Keep the feed rate constant. Feeding the workpiece too quickly will slow the motor of the Router. Feeding the workpiece too slowly will cause burns to the workpiece.
8. On very hard wood or large cuts it may be necessary to make more than one pass at progressive depth settings until the desired depth of cut is made.
9. When finished, remove the workpiece from the Router Table. Turn the Power Switch/Outlets (2B) assembly to its “OFF” position and remove the Safety Key. Then, disconnect the Power Switch/Outlets assembly from its electrical outlet.
10. Allow sufficient time for the Router Bit to stop rotating and also to completely cool before removing the Bit from the Router.
11. Always store the Router and Router Table in a clean, dry, safe location out of reach of children and other unauthorized people.

TROUBLESHOOTING

Problem	Possible Solution
Router will not run.	<ol style="list-style-type: none"> 1. Make sure the Power Switch of the Router Table is in its "ON" position. 2. Make sure the Power Switch of the Router is in its "ON" position. 3. Make sure the Power Cord of the Router is connected to the Power Table's Outlet. 4. Make sure the Power Cord of the Router Table is connected to a working, 110 volt, grounded, electrical outlet. 5. Check the Power Cords of the Router and Router Table for damage. 6. Carbon brushes need replacing. 7. Have a qualified service technician check the Router and Router Table for defects.
Excessive vibration when Router is on.	<ol style="list-style-type: none"> 1. Make sure the Router is properly and firmly attached to the Router Table. 2. Make sure the Bit in the Router is sharp and properly installed. Make sure Bit is not bent or damaged. 3. Have a qualified service technician check the Router and Router Table for defects.
The Power Switch of the Router and/or Router Table does not turn off the tool.	Immediately unplug the Router Table's Power Cord from its electrical outlet. Discontinue using tool until a qualified service technician checks the Router and Router Table for defects.

INSPECTION, MAINTENANCE, AND CLEANING

1.  **CAUTION!** Always make sure the Power Switch of the Router Table is in its “OFF” position and the Router Table is unplugged from its electrical outlet prior to performing any inspection, maintenance, or cleaning procedures.
2. **Before each use**, inspect the general condition of the Router and Router Table. Check for misalignment or binding of moving parts, cracked or broken parts, damaged electrical wiring, and any other condition that may affect their safe operation. If abnormal noise or vibration occurs, have the problem corrected before further use. **Do not use damaged equipment.**
3. To clean the exterior of the Router and Router Table, use only a clean cloth and mild detergent. **Do not immerse any part of the unit in liquid.**
4. **To clean or replace the Carbon Brushes (32A):** It may become necessary to clean or replace the two Carbon Brushes when the Motor performance decreases, or stops working completely. **The Carbon Brushes are located on each side of the Motor Housing (36A).** To do so, remove the two Brush Holders (31A). Then, remove the two Carbon Brushes from the Brush Holders. If the Carbon Brushes are worn down more than 1/2, replace *both* Carbon Brushes. If, however, the Carbon Brushes are just dirty they may be cleaned by rubbing them with a pencil eraser. When installing the Carbon Brushes, make sure brushes are in the same position and direction as before they were removed. Make sure the carbon portion of the Carbon Brushes contact the Stator (23A) assembly and the springs face away from the Motor. Also, make sure the springs operate freely. After cleaning or replacement, replace the Brush Holders.
NOTE: New Carbon Brushes tend to arc or spark when first used until they wear and conform to the Stator assembly. (See Assy. Diagram.)
5.  **CAUTION!** All maintenance, service, or repairs not mentioned in this manual must only be performed by a qualified service technician.

PLEASE READ THE FOLLOWING CAREFULLY

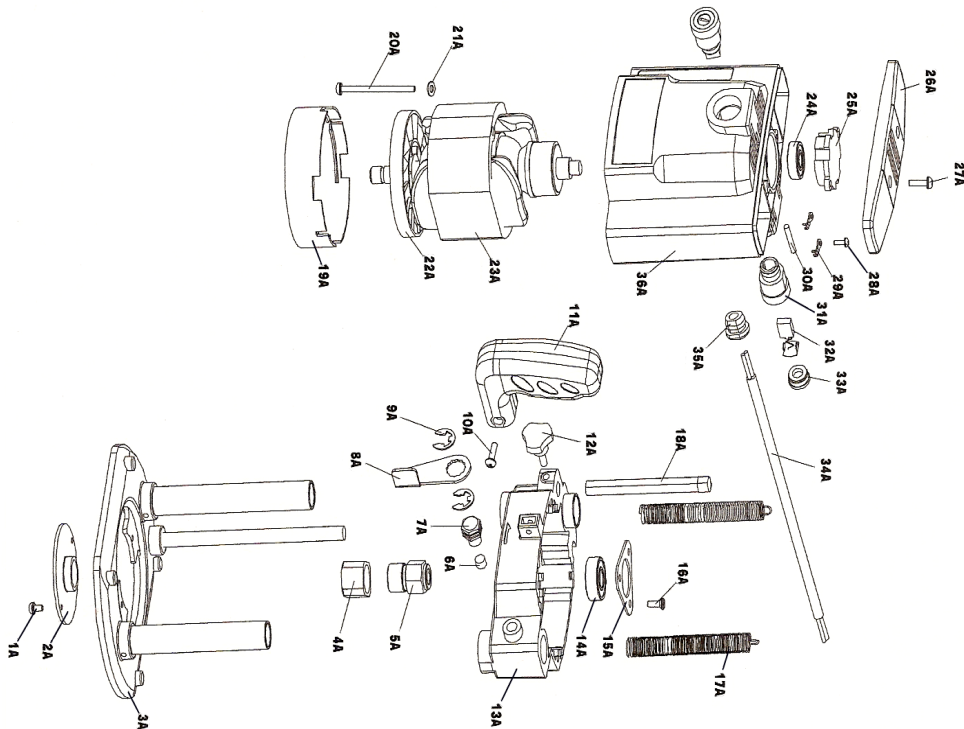
THE MANUFACTURER AND/OR DISTRIBUTOR HAS PROVIDED THE PARTS LIST AND ASSEMBLY DIAGRAM IN THIS MANUAL AS A REFERENCE TOOL ONLY. NEITHER THE MANUFACTURER OR DISTRIBUTOR MAKES ANY REPRESENTATION OR WARRANTY OF ANY KIND TO THE BUYER THAT HE OR SHE IS QUALIFIED TO REPLACE ANY PARTS OF THE PRODUCT. IN FACT, THE MANUFACTURER AND/OR DISTRIBUTOR EXPRESSLY STATES THAT ALL REPAIRS AND PARTS REPLACEMENTS SHOULD BE UNDERTAKEN BY CERTIFIED AND LICENSED TECHNICIANS, AND NOT BY THE BUYER. THE BUYER ASSUMES ALL RISKS AND LIABILITY ARISING OUT OF HIS OR HER REPAIRS TO THE ORIGINAL PRODUCT OR REPLACEMENT PARTS THERETO, OR ARISING OUT OF HIS OR HER INSTALLATION OF REPLACEMENT PARTS THERETO.

PARTS LISTS & ASSEMBLY DIAGRAMS

PARTS LIST & ASSEMBLY DIAGRAM A - ROUTER

Part	Description	Qty.
1A	Machine Screw	2
2A	Template Guide	1
3A	Base Assy.	1
4A	Nut Clamp	1
5A	Collet Chuck	1
6A	Lock Piece	1
7A	Lock Screw	1
8A	Lock Lever	1
9A	E-Type Retaining Ring	2
10A	Machine Screw	1
11A	Handle	1
12A	Knob	1
13A	End Bracket Assy.	1
14A	Ball Bearing	1
15A	Bearing Cover	1
16A	Flat Head Screw	3
17A	Spring	2
18A	Depth Rod	1

Part	Description	Qty.
19A	Insulator	1
20A	Tapping Screw	2
21A	Washer	2
22A	Armature	1
23A	Stator Assy.	1
24A	Ball Bearing	1
25A	Bearing Bushing	1
26A	End Cover	1
27A	Tapping Screw	2
28A	Tapping Screw	4
29A	Teeterboard	4
30A	Peg	2
31A	Brush Holder	2
32A	Carbon Brush	2
33A	Brush Cap	2
34A	Power Cord	1
35A	Line Lock	1
36A	Motor Housing	1



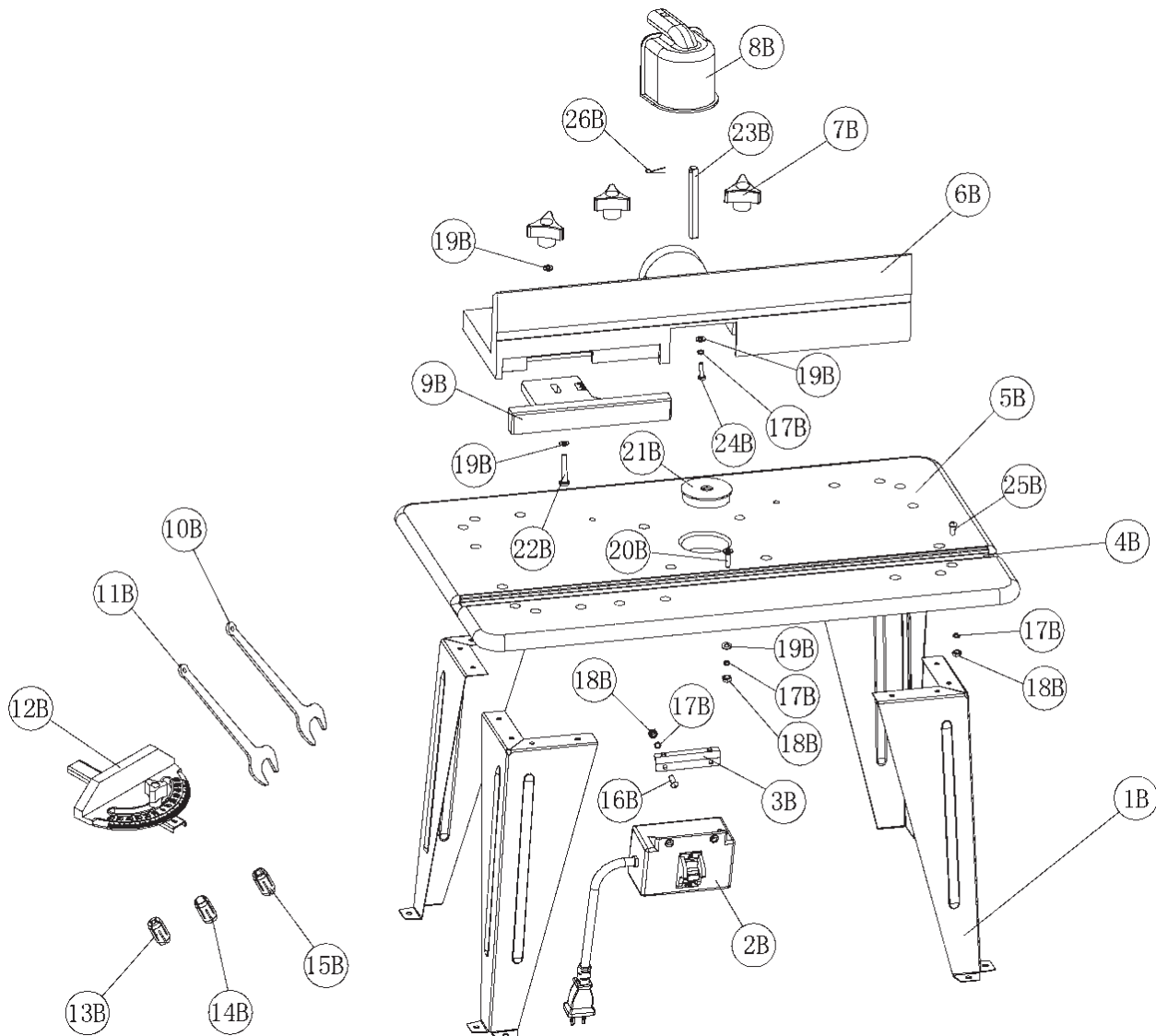
NOTE:

Some parts are listed and shown for illustration purposes only, and are not available individually as replacement parts.

PARTS LIST & ASSEMBLY DIAGRAM B - ROUTER TABLE

Part	Description	Qty.
1B	Leg	4
2B	Power Switch/Outlets	1
3B	Fixed Stand	1
4B	Guiding Groove	1
5B	Work Table	1
6B	Fence	1
7B	Knob	3
8B	Guard	1
9B	Adjustable Fence	1
10B	Wrench (21mm)	1
11B	Wrench (24mm)	1
12B	Miter Gauge	1
13B	Chuck Sleeve (1/4")	1

Part	Description	Qty.
14B	Chuck Sleeve (1/2")	1
15B	Chuck Sleeve (3/8")	1
16B	Machine Screw	2
17B	Spring Lock Washer	23
18B	Nut	23
19B	Metal Gasket	10
20B	Flat Head Screw	3
21B	Dust Cover	1
22B	Machine Screw	3
23B	Torsion Spring	1
24B	Tapping Screw	1
25B	Machine Screw	18
26B	Spacing Pin	1



LIMITED 90 DAY WARRANTY

Harbor Freight Tools Co. makes every effort to assure that its products meet high quality and durability standards, and warrants to the original purchaser that this product is free from defects in materials and workmanship for the period of 90 days from the date of purchase. This warranty does not apply to damage due directly or indirectly, to misuse, abuse, negligence or accidents, repairs or alterations outside our facilities, criminal activity, improper installation, normal wear and tear, or to lack of maintenance. We shall in no event be liable for death, injuries to persons or property, or for incidental, contingent, special or consequential damages arising from the use of our product. Some states do not allow the exclusion or limitation of incidental or consequential damages, so the above limitation of exclusion may not apply to you. THIS WARRANTY IS EXPRESSLY IN LIEU OF ALL OTHER WARRANTIES, EXPRESS OR IMPLIED, INCLUDING THE WARRANTIES OF MERCHANTABILITY AND FITNESS.

To take advantage of this warranty, the product or part must be returned to us with transportation charges prepaid. Proof of purchase date and an explanation of the complaint must accompany the merchandise. If our inspection verifies the defect, we will either repair or replace the product at our election or we may elect to refund the purchase price if we cannot readily and quickly provide you with a replacement. We will return repaired products at our expense, but if we determine there is no defect, or that the defect resulted from causes not within the scope of our warranty, then you must bear the cost of returning the product.

This warranty gives you specific legal rights and you may also have other rights which vary from state to state.

3491 Mission Oaks Blvd. • PO Box 6009 • Camarillo, CA 93011 • (800) 444-3353