



ASUS[®]
IN SEARCH OF INCREDIBLE

ASUS Zen AiO[™] Pro

Quick Start Guide

Z240IE



HDMI[™]
HIGH-DEFINITION MULTIMEDIA INTERFACE



IR Camera module*

Camera

Microphone



Mode
button

Mode Down
button

Mode Up
button



Wireless Keyboard

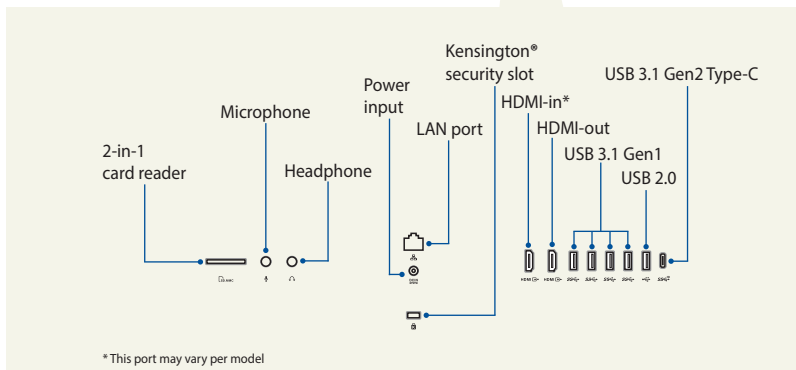


Wireless Mouse

* Available on selected models only



Power button

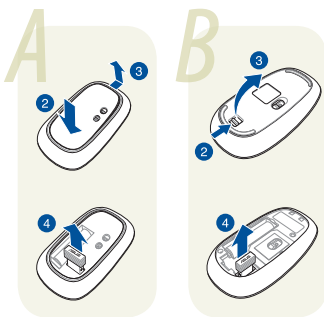


ASUS hereby declares that this All-in-One PC is in compliance with the essential requirements and other relevant provisions of Directive 1995/5/EC.



To use your wireless mouse (on selected models)

1. Flip your bundled mouse over.
2. Open the bottom cover:
 - A. Press down on the lower half of the bottom cover.
 - B. Push the latch up.
3. Remove the bottom cover.
4. Remove the wireless dongle from the mouse and insert it into an empty USB port on your ASUS All-in-One PC.



NOTE:

- The appearance of the wireless mouse may vary per region, please refer to the steps above according to the model of your mouse.
- Using SuperSpeed USB devices and 2.4Ghz USB wireless devices at the same time may affect the wireless device performance.
- The wireless mouse has a power saving feature and will enter sleep mode after a few minutes of inactivity. To wake your mouse, press any button on your mouse.

SERVICE AND SUPPORT

Visit our multi-language web site at
<https://www.asus.com/support>

E12257

First Edition
December 2016

