



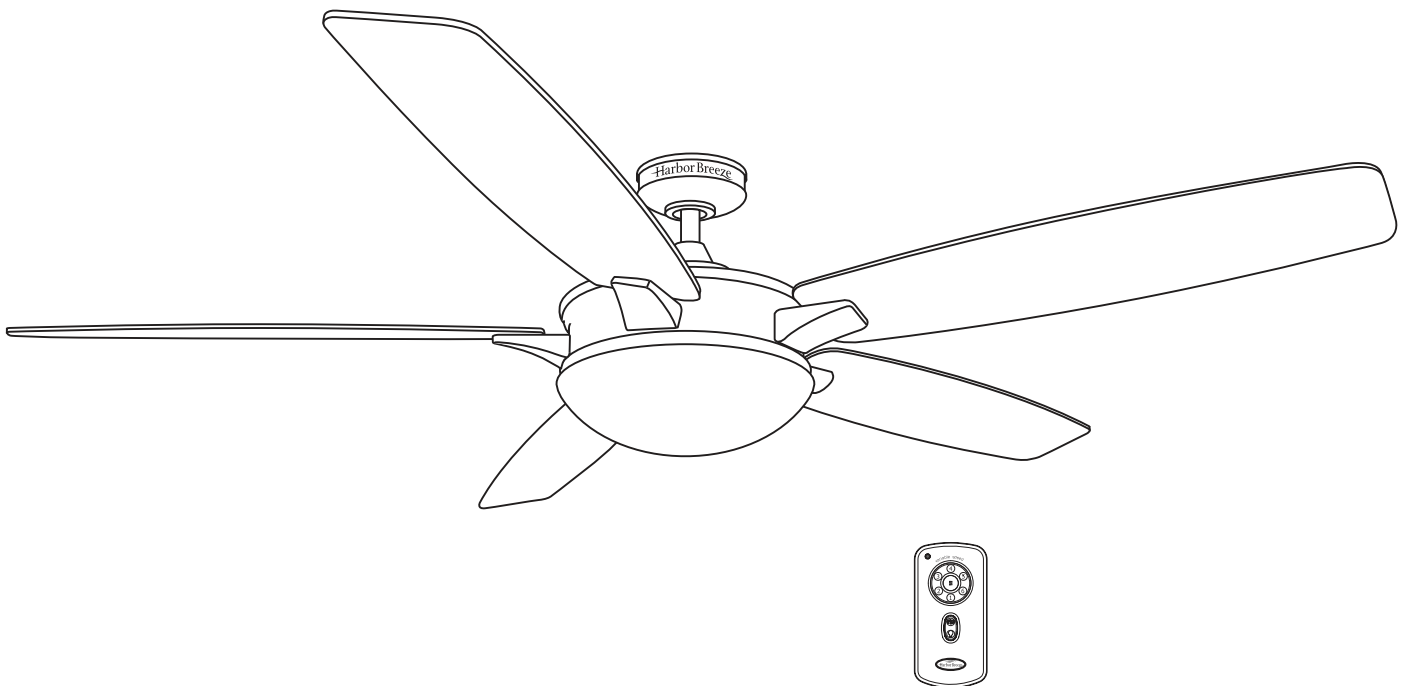
ITEM #0184428

KINGSBURY CEILING FAN

MODEL #Casual-3-2011

Harbor Breeze® is a registered trademark of LF, LLC. All Rights Reserved.

Español p. 19



ATTACH YOUR RECEIPT HERE

Serial Number _____ **Purchase Date** _____

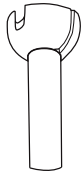


Questions, problems, missing parts? Before returning to your retailer, call our customer service department at 1-800-643-0067, 8 a.m. - 6 p.m., EST, Monday - Thursday, 8 a.m. - 5 p.m., EST, Friday.

TABLE OF CONTENTS

Package Contents	3
Hardware Contents.	4
Safety Information	5
Preparation	6
Assembly Instructions.	7
Wiring	10
Final Installation	11
Operating Instructions	14
Care and Maintenance	16
Troubleshooting	16
Limited Lifetime Warranty.	17
Replacement Parts List	18

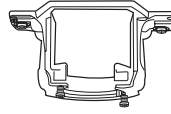
PACKAGE CONTENTS



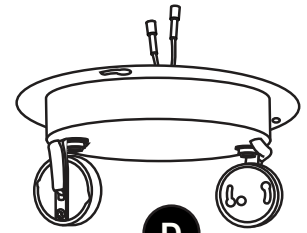
A



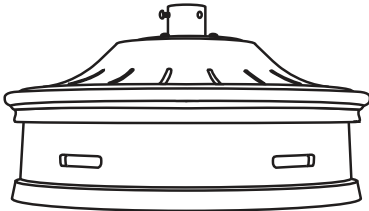
B



C



D



E



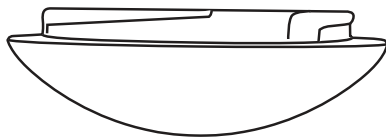
F



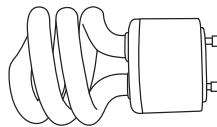
G



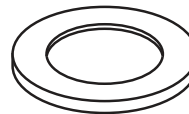
H



I



J



K



L



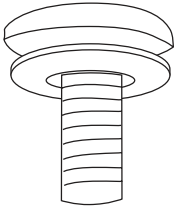
M

PART	DESCRIPTION	QUANTITY
A	Downrod	1
B	Canopy	1
C	Mounting Bracket	1
D	Light Kit Fitter	1
E	Motor Assembly	1
F	Yoke Cover	1
G	Blade Arm	5
H	Blade	5
I	Glass Shade	1
J	Bulb	2

PART	DESCRIPTION	QUANTITY
K	Canopy Cover	1
L	Light Kit Plate	1
M	Remote Control	1

HARDWARE CONTENTS (shown actual size)

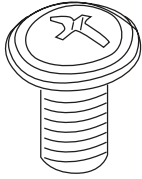
AA



Motor
Screw

Qty. 10
and 1 extra

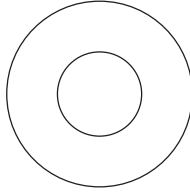
BB



Blade
Screw

Qty. 15
and 1 extra

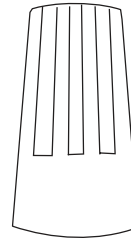
CC



Blade
Washer

Qty. 15
and 1 extra

DD






Wire
Connector

Qty. 4

SAFETY INFORMATION

Please read and understand this entire manual before attempting to assemble, operate or install the product.



1. Before you begin installing the fan, disconnect the power by removing fuses or turning off circuit Breakers.
2.  **CAUTION:** Read all instructions and safety information before installing your new fan. Review the accompanying assembly diagrams.
3.  **WARNING:** To avoid personal injury, the use of gloves may be necessary while handling fan parts with sharp edges.
4. Make sure that all electrical connections comply with local codes, ordinances, the National Electrical Code and ANSI/NFPA 70-199. Hire a qualified electrician or consult a do-it-yourself wiring handbook, available at Lowe's, if you are unfamiliar with installing electrical wiring.
5. Make sure the installation site you choose allows a minimum clearance of 7 feet from the blades to the floor and at least 30 in. from the end of the blades to any obstruction.
6. The net weight of this fan including the light kit is: 14.11 lbs. (6.4kg).
7.  **WARNING:** Using a full range dimmer switch to control fan speed will cause aloud humming noise from fan. To reduce the risk of fire or electric shock., do NOT use a full range dimmer switch to control.

DANGER






DANGER: When using an existing outlet box, make sure the outlet box is securely attached to the building structure and can support the full weight of the fan. Failure to do this can result serious injury or death. The stability of the outlet box is essential in minimizing wobble and noise in the fan after installation is complete.



WARNING

1.  **WARNING:** To reduce the risk of fire, electric shock, or personal injury, mount fan to outlet box marked: "ACCEPTABLE FOR FAN SUPPORT" and use mounting screws provided with the outlet box. Most outlet boxes commonly used for the support of lighting fixtures are not acceptable for fan support and may need to be replaced. Consult a qualified electrician if in doubt. Secure the outlet box directly to the building structure. The outlet box and its support must be able to support the moving weight of the fan (at least 35 lbs.). Do NOT use a plastic outlet box.
2.  **WARNING:** To reduce the risk of fire, electrical shock, or personal injury, wire connectors provided with this fan are designed to accept only one 12 guages house wire and two lead wires from the fan. If your house wire is larger than 12 guages or there is more than one house wire to connect to the two fan lead wires, consult an electrician for the proper size wire connectors to use.

WARNING

3.  **WARNING:** To reduce the risk of fire or electric shock, do not use the fan with any solid state speed control device or control fan speed with a full range dimmer switch.
4.  **WARNING:** To reduce the risk of fire, electric shock, or personal injury, do not bend the blade arms when installing them, balancing the blades, or cleaning the fan. Do not insert objects between the rotating fan blades.
5.  **WARNING:** To reduce the risk of personal injury, use only parts provided with this fan. The use of parts OTHER than those provided with this fan will void the warranty.

CAUTION

1.  **CAUTION:** Be sure outlet box is properly grounded or that a ground (green or bare) wire is present.
After opening top of carton, remove mounting hardware package from foam inserts. Remove motor from packing and place on carpet or on foam to avoid damage to finish.
2.  **CAUTION:** Carefully check all screws, bolts and nuts on fan motor assembly to ensure that they are secured.

PREPARATION

Before beginning assembly of product, make sure all parts are present. Compare parts with package contents list and hardware contents above. If any part is missing or damaged, do not attempt to assemble the product. Contact customer service for replacement parts.

Estimated Assembly Time: 120 minutes

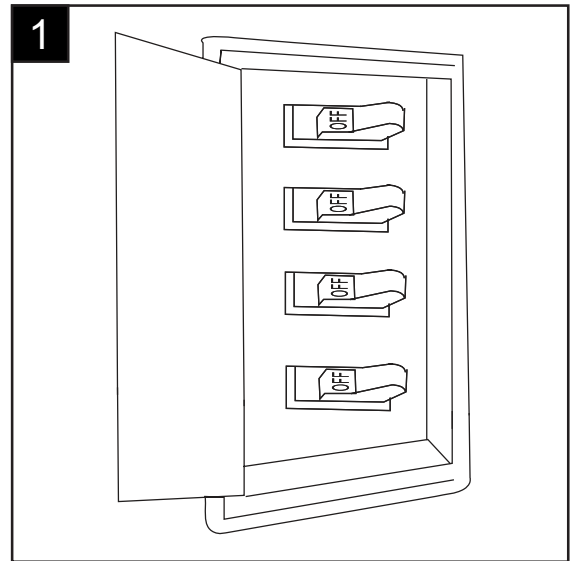
Tools required for Assembly (not included): Electrical Tape, Phillips Screwdriver, Pliers, Safety Glasses, Step Ladder and Wire Strippers

Helpful tools (not included): AC Tester Light, Tape Measure, Wiring Handbook, and Wire Cutters

ASSEMBLY INSTRUCTIONS

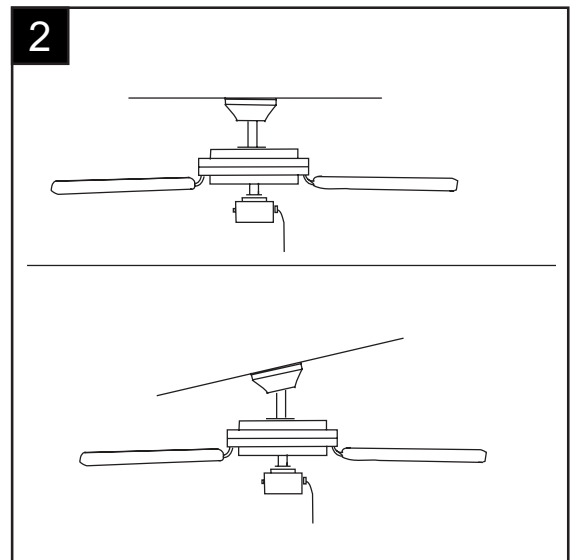
1. Turn off circuit breakers and wall switch to the fan supply line leads. [Fig. 1]

⚠ DANGER: Failure to disconnect power supply prior to installation may result in serious injury or death.

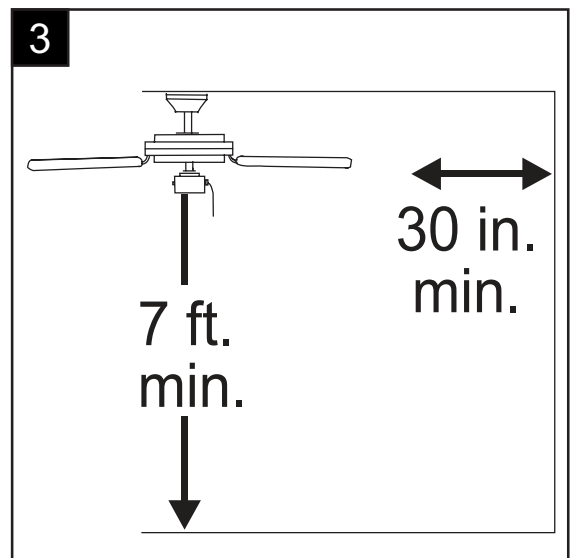


2. Determine mounting methods to use. [Fig. 2]

Important: If using the angle mount, check to make sure the ceiling angle is not steeper than 25°



3. Check to make sure blades (H) will be at least 30 in. from any obstructions. Check downrod (A) length to ensure blades (H) are at least 7 ft. above the floor. [Fig. 3]

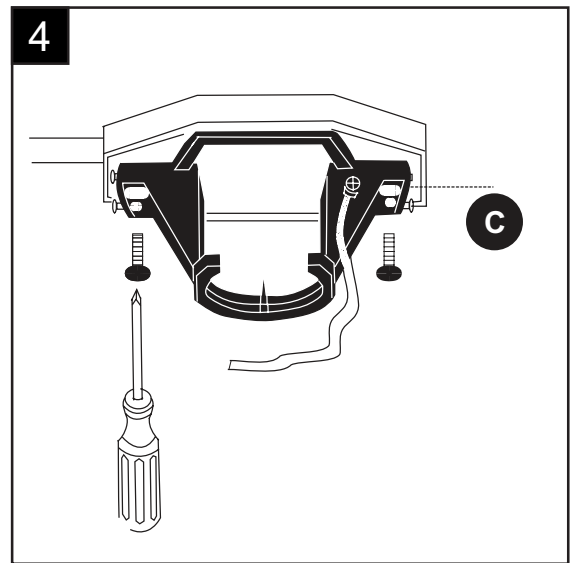


ASSEMBLY INSTRUCTIONS

4. Secure mounting bracket (C) to outlet box using screws, spring washers, and flat washers provided with the outlet box (not included). [Fig. 4]

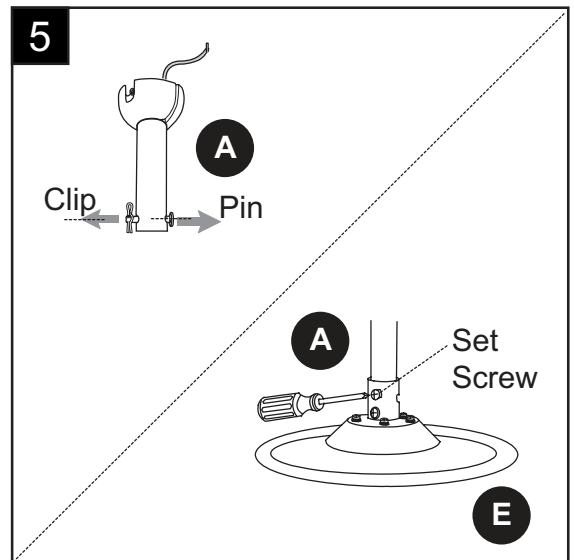
Note: It is very important that you use the proper hardware when installing the mounting bracket (C) as this will support the fan.

Important: If using the angle mount, make sure open end of mounting bracket (C) is installed facing the higher point of ceiling.

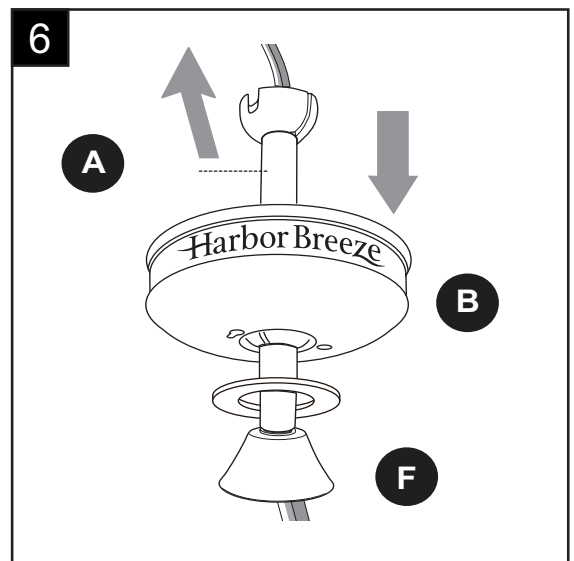


5. Remove pin and clip from downrod (A). Partially loosen set screws in motor housing yoke at top of motor housing (E). [Fig. 5]

Help Hint: Downrod style mounting is best suited for ceilings 8 ft. or higher. For taller ceilings you may want to use a longer downrod (not included). Angle style mounting is best suited for angled or vaulted ceilings. A longer downrod is sometimes necessary to ensure proper blade clearance.

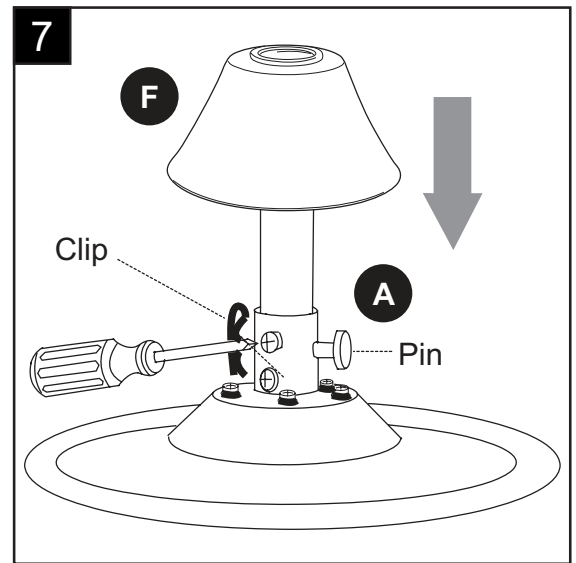


6. Insert downrod (A) through canopy (B) and yoke cover (F). Thread wires from motor housing (E) through downrod (A). [Fig. 6]

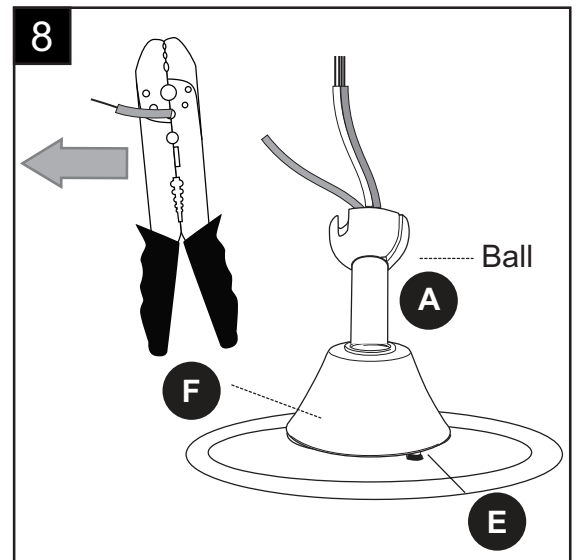


ASSEMBLY INSTRUCTIONS

7. Slip downrod (A) into motor housing yoke, align holes and re-install pin and clip. Re-tighten set screws in motor housing yoke and then tighten nuts. Slide yoke cover (F) down until it rests on top of motor housing (E). [Fig. 7]

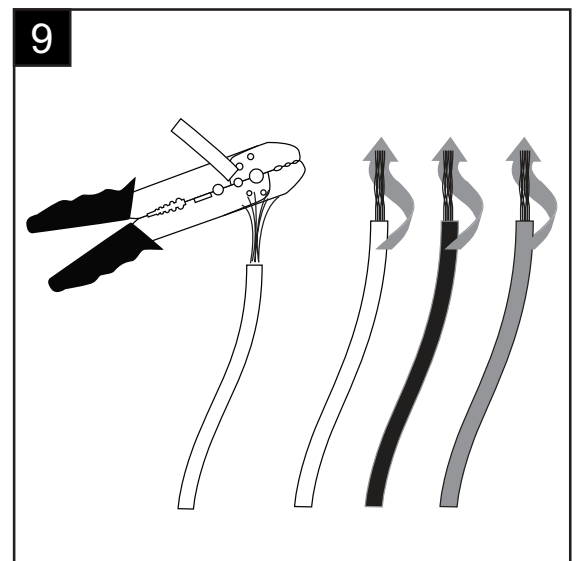


8. Depending on the length of downrod (A) you use, you may need to cut the lead wires back to simplify the wiring. If you decide to cut back the lead wires, it is suggested that you do so in the following manner: Take the lead wires and make sure that you have pulled them all the way through the top of the downrod (A) and measure 8 in. of lead wire, and then cut the excess wire off with wire cutters. [Fig. 8]



9. If you decided to cut back the lead wire in Step 9, strip 1/2 in. of insulation from end of white wire. Twist stripped ends of each strand of wire within the insulation with pliers. [Fig. 10] Repeat Step 10 for black, blue (if applicable) and green wires.

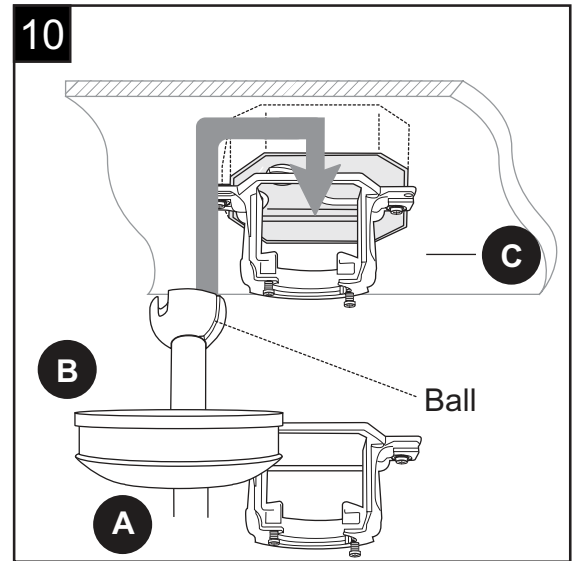
Note: If you did not cut back the lead wires, **Step 10 is not necessary and you may proceed to Step 11 instead.**



ASSEMBLY INSTRUCTIONS

10. Install ball end of downrod (A) into mounting bracket (C) opening. Align slot in ball with tab in mounting bracket (C). [Fig. 10]

⚠ DANGER: Failure to align slot in ball with tab in mounting bracket (C) may result in serious injury or death.



WIRING

⚠ WARNING: To reduce the risk of fire, electrical shock, or personal injury, wire connectors provided with this fan are designed to accept only one 12-gauge house wire and two lead wires from the fan. If your house wire is larger than 12 gauges there is more than one house wire to connect to the two fan lead wires, consult an electrician for the proper size wire connectors to use.

⚠ CAUTION: Be sure outlet box is properly grounded or that a ground (green or bare) wire is present.

⚠ WARNING: If house wires are different colors than referred to in the following step, stop immediately. A professional electrician is recommended to determine wiring.

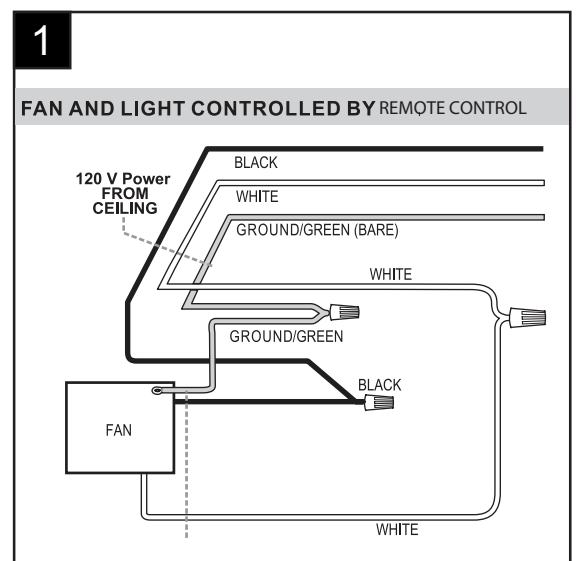
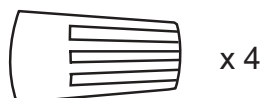
Note: Please refer to installation and operating instructions for remote control.

FAN AND LIGHT CONTROLLED BY REMOTE CONTROL

1. Connect **BLACK** wire from fan to **BLACK** wire from ceiling. Connect **WHITE** wire from fan to **WHITE** wire from ceiling. Connect all **GROUND (GREEN)** wires together from fan to **BARE/GREEN** wire from ceiling. [Fig. 1]

Hardware Used

DD Wire connector

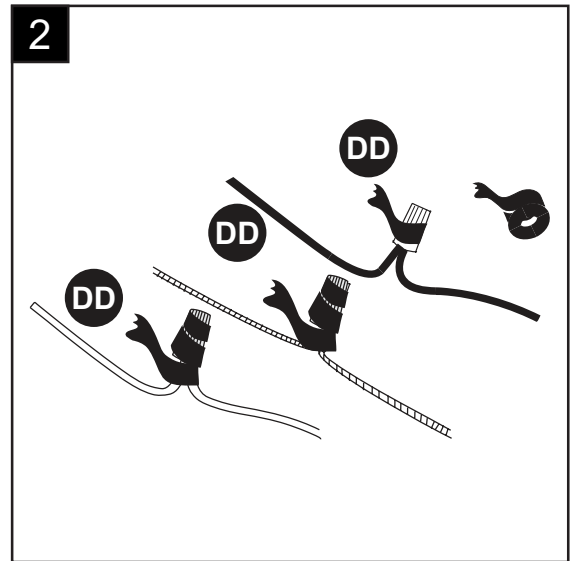


WIRING

2. Wrap electrical tape around each individual wire connector (DD) down to the wire as shown in Fig. 3.

⚠ WARNING: Make sure no bare wire or wire strands are visible after making connections. Place green and white connections on opposite side of box from the black and blue (if applicable) connections.

Turn spliced/taped wires upward and gently push wires and wire connector (DD) into outlet box.



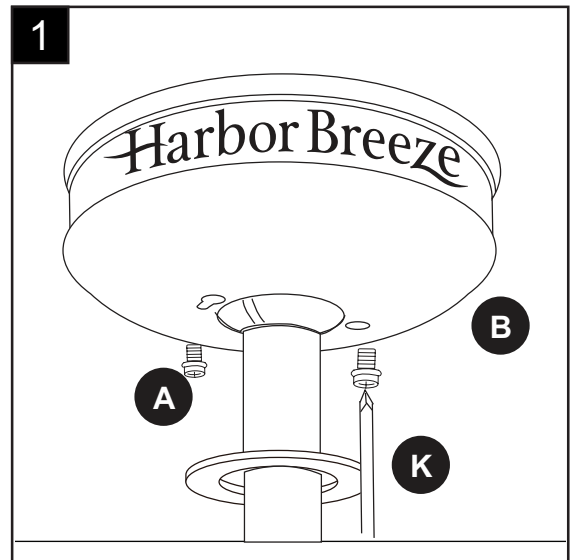
FINAL INSTALLATION

1. Tuck connections neatly into ceiling outlet box. Remove one screw from the mounting bracket (C) and loosen the other screw around 1/4 in.

Align the canopy (B) up to ceiling and over the loose screw. Place the canopy (B) into key hole and rotate clockwise.

Secure the canopy (B) with previously removed screw. Place the canopy cover (K) over the canopy (B) and rotate clockwise until it is locked into right position.

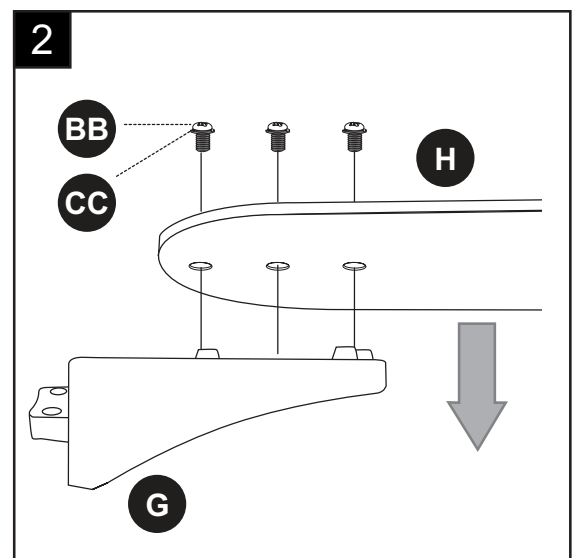
[Fig. 1]



2. Partially insert three blade screws (BB), along with three blade washers (CC) to attach one blade arm (G) to a blade (H). Then, tighten each blade screw (BB) starting with the one in the middle. [Fig. 2] Repeat with remaining blades (H).

Hardware Used

BB Blade Screw		x 15
CC Blade Washers		x 15

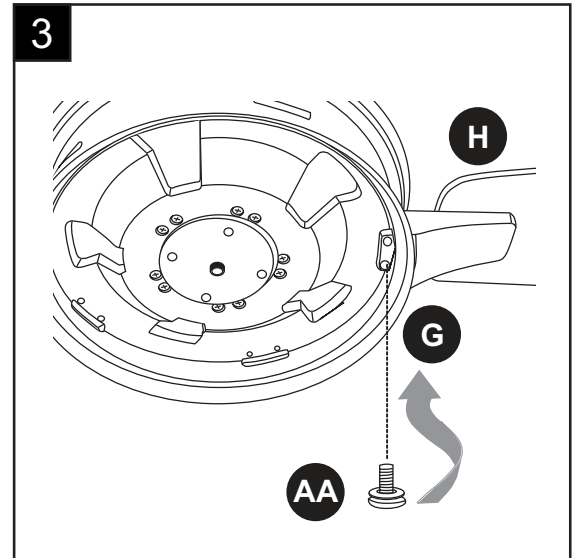
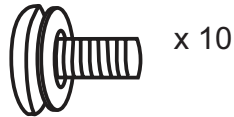


FINAL INSTALLATION

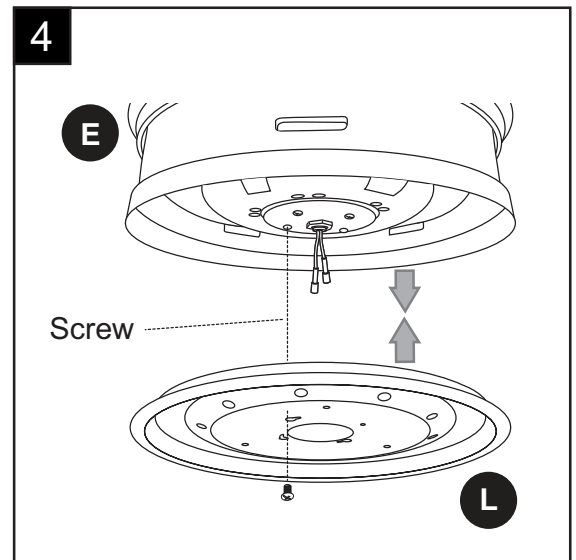
3. Insert two motor screws (AA), along with lock washers, through one blade arm, (G) to attach blade arm, (G) to motor. Tighten motor screws (AA) securely. [Fig. 3] Repeat with remaining blade arms (G), making sure to completely secure each blade arm (G) before proceeding with the next step.

Hardware Used

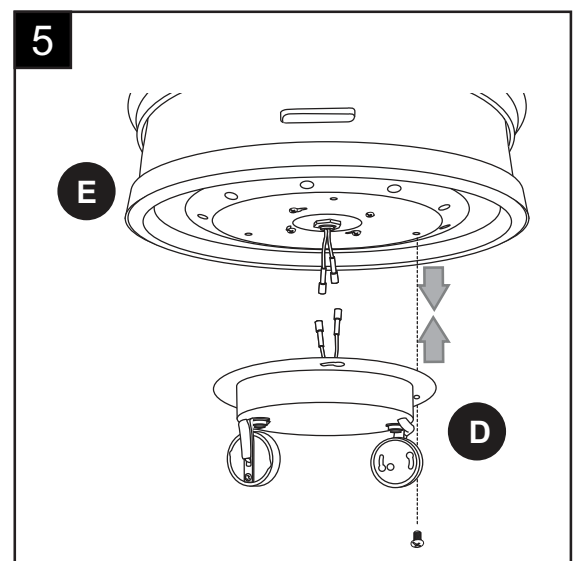
AA Motor Screw



4. Remove one of the four screws from the motor assembly (E) and loosen the other three. Align the screw holes of the light kit plate (L) with the loosened screws and replace and tighten all screws.



5. Remove one of the three screws from the light kit plate (L) and loosen other two. Connect the connectors from the light kit fitter (D) and fan. Align the screw holes of the light kit fitter (D) with the loosened screws and replace and tighten all screws.



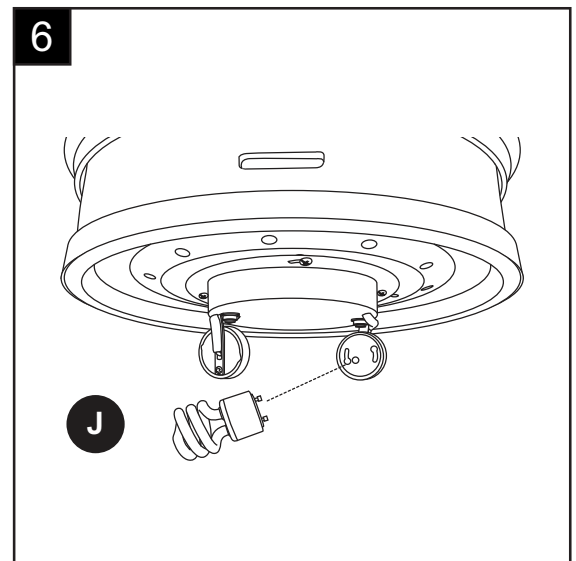
FINAL INSTALLATION

6. Install bulbs (J). [Fig. 6]

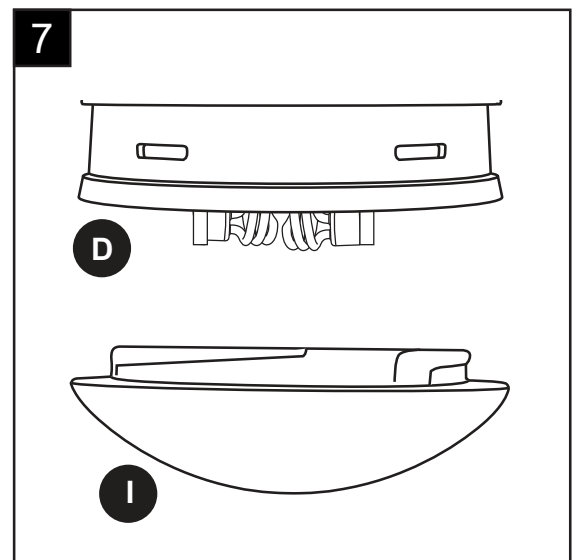
Important: When you need to replace bulbs, please allow bulb (J) and light kit to cool down before touching the bulb (J) or the light kit.

Note: fan uses two 13-watt max. GU24 bi-pin base CFL bulbs

⚠ WARNING: The CFL bulbs contain mercury, discard then according to the local law.



7. Attach the glass shade (I) to the light kit fitter (D) by twisting tightly.



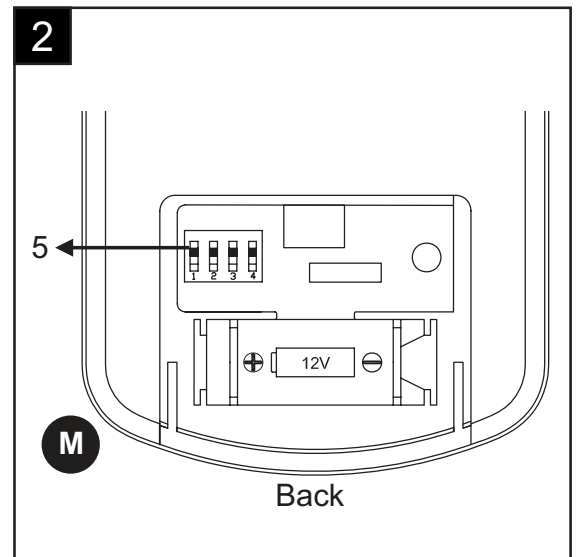
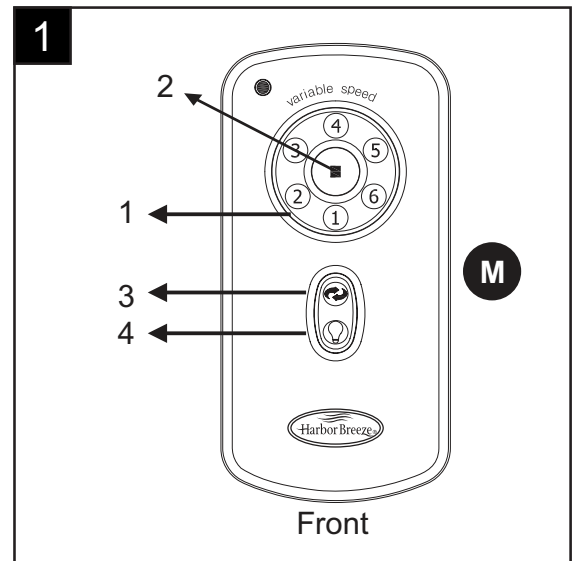
OPERATING INSTRUCTIONS

Remote control (M) functions:

1. Fan speed control button: To control the ceiling fan speed 1-6
2. Fan off button: To turn the fan off.
3. Reverse function button: To control fan direction.
4. Lighting control button: To control light on and off.

5. CODE setting button: With fan power off, arrange code switched to desired code setting. Turn fan power on.

Note: Install the 12-volt battery (not included) to the remote control.



Note: The receiver (inside the motor) provides the function of multiplicative protection.

1. Lock position: The DC motor has a built-in safety feature against obstruction during operation. If this occurs, the motor will discontinue operation within 3 seconds of interruption. To reset, simply disable power supply to the fan motor and re-start.
2. Over 80W protection: When the receiver detects power consumption is greater the 80W, the receiver power will be stopped and operation will immediately discontinue. To reset, simply disable power supply to the fan motor and re-start.
3. Blade setup of motor is arranged according to loading condition; please only install approved blades from a certified dealer or this may void the factory warranty.

OPERATING INSTRUCTIONS

⚠ WARNING: Changes or modifications to this unit not expressly approved by the party responsible for compliance could void the user's authority to operate the equipment.

NOTE: This equipment has been tested and found to comply with the limits for a Class B digital device, pursuant to Part 15 of the FCC Rules. These limits are designed to provide reasonable protection against harmful interference in a residential installation. This equipment generates, uses and can radiate radio frequency energy and, if not installed and used in accordance with the instructions, may cause harmful interference to radio communications.

However, there is no guarantee that interference will not occur in a particular installation. If this equipment does cause harmful interference to radio or television reception, which can be determined by turning the equipment off and on, the user is encouraged to try to correct the interference by one or more of the following measures:

1. Reorient or relocate the receiving antenna.
2. Increase the separation between the equipment and receiver.
3. Connect the equipment into an outlet on a circuit different from that to which the receiver is connected.
4. Consult the dealer or an experienced radio/TV technician for help.

Shielded cables must be used with this unit to ensure compliance with the Class B FCC limits.

CARE AND MAINTENANCE

At least twice each year, lower canopy to check down rod assembly, and then tighten all screws on fan. Clean motor housing with only a soft brush or lint-free cloth to avoid scratching the finish. Clean blades with a lint-free cloth. You may occasionally apply a light coat of furniture polish to wood blades for ass protection. Important: Shut off main power supply before beginning and maintenance. Do not use water or a damp cloth to clean the ceiling fan.

TROUBLESHOOTING

If you have any questions regarding the product, please call customer service at 1-800-643-0067, 8 a.m. - 6 p.m., EST, Monday - Thursday, 8 a.m. - 5 p.m., EST, Friday.

PROBLEM	DESCRIPTION	QUANTITY
Fan does not move.	<ol style="list-style-type: none"> 1. Power is off or fuse is blown. 2. Faulty wire connection. 3. Plugs not connected properly. 4. DC motor is obstructed during operation. 5. The power of motor over 80W. 	<ol style="list-style-type: none"> 1. Turn power on or check fuse. 2. Turn power off. Loosen canopy and check all connections. 3. Check that the connectors from the light kit fitter and fan are connected according to instructions on page 13. 4. Disable power supply to the fan motor and re-start. 5. The blade is overweight. Don't install the unapproved blades.
Noisy operation	<ol style="list-style-type: none"> 1. Blades are loose. 2. Cracked blade. 3. Full range dimmer switch. 4. Fan is new. 	<ol style="list-style-type: none"> 1. Tighten all blade screws. 2. Replace blade. 3. Replace with an approved speed control device. 4. Allow fan a "break in" period of a few days, especially when running the fan at Medium and High speeds.
Excessive wobbling	<ol style="list-style-type: none"> 1. Blades are loose. 2. Blade arms incorrectly attached. 3. Unbalanced blades. 4. Fan not securely mounted. 5. Fan too close to vaulted ceiling. 6. Set screw on motor housing yoke is(are) not tightened properly. 7. Set screw on hanging ball is not tightened properly. 	<ol style="list-style-type: none"> 1. Tighten all blade screws. 2. Re-install blade arms. 3. Switch one blade with a blade from the opposite side. 4. Turn power off. Carefully loosen canopy and verify that mounting bracket is secure. 5. Use a longer down rod or move fan to another location. 6. Tighten yoke set screw securely. 7. Carefully loosen and lower canopy and verify that set screw on hanging ball is tightened securely.

PROBLEM	DESCRIPTION	QUANTITY
Fan operated but lights fail (if applicable).	<ol style="list-style-type: none"> 1. Bulb(s) not installed correctly. 2. Wires in canopy not wired properly. 3. Plugs not connected properly. 4. Light kit is lamped with more than the allowable 190W, causing the wattage limiting device to interrupt the flow of electricity to the light kit. 	<ol style="list-style-type: none"> 1. Re-install bulb(s). 2. Check wires in canopy and, if necessary, re-wire according to wiring instructions on pages 9 and page 10. 3. Check that the connectors from the light kit fitter and fan are connected properly according to instructions on page 13. 4. Lamp light kit with bulbs that total no more than 190W.

LIMITED LIFETIME WARRANTY

The manufacturer warrants this fan to be free from defects in workmanship and materials present at time of shipment from the factory for a lifetime from the date of purchase by the original purchaser. The retailer also warrants that all other fan parts, excluding any glass or plexiglass blades, to be free from defects in workmanship and material at the time of shipment from the factory for a period of one year after the date of purchase by the original purchaser. A written warranty shall be included with light kit packaging at the time of shipment, which covers repair or replacement of defective parts of the light kit housing and electronics (excluding the lamp) for a minimum of three years from the date of purchase. The manufacturer agrees to correct such defects without charge or at our option replace the ceiling fan with a comparable or superior model.

To obtain warranty service, present a copy of the receipt as proof of purchase. All costs of removing and reinstalling the product are your responsibility. Any damage to any part such as by accident or misuse or improper installation or by affixing any accessories, is not covered by this warranty. The manufacturer assumes no responsibility whatsoever for fan installation during the limited lifetime warranty. Any service performed by an unauthorized person will render the warranty invalid.

Due to varying climatic conditions, this warranty does not cover any changes in brass finish, including rusting, pitting, corroding, tarnishing or peeling. Brass finishes of this type give their longest useful life when protected from varying weather conditions. Any glass provided with this fan is not covered by the warranty.

Any replacement of defective parts for the ceiling fan must be reported within the first year from the date of purchase. For the balance of the warranty, call our customer service department for return authorization and shipping instructions so that we may repair or replace the ceiling fan. Any fan or parts returned improperly is the sole responsibility of the purchaser. There is no other expressed warranty. The manufacturer disclaims any and all warranties. The duration of any implied warranty which cannot be disclaimed is limited to the time period as specified in the expressed warranty. The manufacturer shall not be liable for incidental, consequential, or special damages arising out of or in connection with product use or performance except as may otherwise be accorded by law. This warranty gives specific legal rights, and you may also have other rights which vary from state to state. This warranty supersedes all prior warranties.

Note: A small amount of “wobble” is normal and should not be considered a defect.

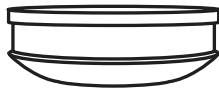
REPLACEMENT PARTS LIST

For replacement parts, call customer service department at 1-800-643-0067,
8 a.m. - 6 p.m., EST, Monday - Thursday, 8 a.m. - 5 p.m., EST, Friday.

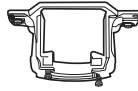
PART	DESCRIPTION	PART #
A	Downrod	13500104704200
B	Canopy	13500104702100
C	Mounting Bracket	13500104701200
D	Light Kit Fitter	13500104723200
F	Yoke Cover	13500104734200
G	Blade Arm	13500104707200
H	Blade	13500104708100
I	Glass Shade	13500104710100
K	Canopy Cover	13500104753100
L	Light Kit Plate	13500104725100
AA	Motor Screw	13500104719200
BB	Blade Screw	
CC	Blade Washer	
DD	Wire Connector	



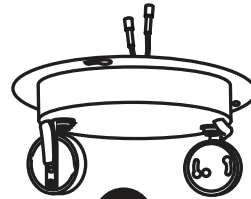
A



B



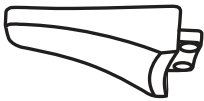
C



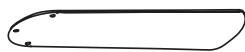
D



F



G



H



I



K



L



AA



BB



CC



DD