




SAFETY INFORMATION


Please read and understand this entire manual before attempting to assemble, operate, or install the product.


- Before you begin installing the fan, disconnect the power by removing fuses or turning off the circuit breakers.
- Make sure that all electrical connections comply with local codes, ordinances, the National Electrical Code, and ANSI/NFPA 70-199. Hire a qualified electrician or consult a do-it-yourself wiring handbook if you are unfamiliar with installing electrical wiring.
- Make sure the installation site you choose allows a minimum clearance of 7 ft. from the blades to the floor and at least 30 in. from the end of the blades to any obstruction.
- The net weight of this fan is: 16.12 lbs. (7.31 kg).


 **DANGER:** When using an existing outlet box, make sure the outlet box is securely attached to the building structure and can support the full weight of the fan. Failure to do this can result in serious injury or death. The stability of the outlet box is essential in minimizing wobble and noise in the fan after installation is complete.


 **WARNING:** To avoid personal injury, the use of gloves may be necessary while handling fan parts with sharp edges.


 **WARNING:** Using a full-range dimmer switch to control fan speed will cause a loud humming noise from the fan. To reduce the risk of fire or electric shock, do NOT use a full-range dimmer switch to control the fan speed.

 **WARNING:** To reduce the risk of fire, electric shock, or personal injury, mount the fan to an outlet box marked “ACCEPTABLE FOR FAN SUPPORT” and use the mounting screws provided with the outlet box. Most outlet boxes commonly used for the support of lighting fixtures are not acceptable for fan support and may need to be replaced. Consult a qualified electrician if in doubt. Secure the outlet box directly to the building structure. The outlet box and its support must be able to support the moving weight of the fan (at least 35 lbs.). Do NOT use a plastic outlet box.

 **WARNING:** To reduce the risk of fire, electrical shock, or personal injury, wire connectors provided with this fan are designed to accept only one 12-gauge house wire and two lead wires from the fan. If your house wire is larger than 12 gauges or there is more than one house wire to connect to the two fan lead wires, consult an electrician for the proper size wire connectors to use.

 **WARNING:** To reduce the risk of fire or electric shock, do not use the fan with any solid-state speed-control device or control the fan speed with a full-range dimmer switch.

 **WARNING:** To reduce the risk of fire, electric shock, or personal injury, do not bend the blade arms when installing them, balancing the blades, or cleaning the fan. Do not insert objects between the rotating fan blades.

 **WARNING:** To reduce the risk of personal injury, use only parts provided with this fan. The use of parts OTHER than those provided with this fan will void the warranty.

SAFETY INFORMATION

CAUTION: Read all instructions and safety information before installing your new fan. Review the accompanying assembly diagrams.



CAUTION: Be sure the outlet box is properly grounded or that a ground (green or bare) wire is present.

CAUTION: Carefully check all screws, bolts, and nuts on the fan motor assembly to ensure that they are secured.

CAUTION: Shielded cables must be used with this unit to ensure compliance with the Class B FCC limits.

! WARNING: Changes or modifications to this unit not expressly approved by the party responsible for compliance could void the user's authority to operate the equipment.

! WARNING: This equipment is a Class B digital device, pursuant to Part 15 of the FCC Rules. Limits are designed to provide reasonable protection against harmful interference in a residential installation. This equipment generates, uses, and can radiate radio frequency energy and, if not installed and used in accordance with the instructions, may cause harmful interference to radio communications.

	LAMP CONTAINS MERCURY LA BOMBILLA CONTIENE MERCURIO	
Manage in accordance with Spills, Disposal and Site Cleanup Requirements. In case of breakage, follow clean-up procedures provided by contacts below.		
Manipule según las exigencias sobre derrames, eliminación y limpieza del lugar. En caso se rompa, siga el método de limpieza proporcionado por los siguientes contactos.		
www.epa.gov/cflcleanup 1-866-284-4010		

PREPARATION

Before beginning the assembly of this product, ensure that all parts are present. Compare all parts with the package contents list and hardware contents list. If any part is missing or damaged, do not attempt to assemble the product.

After opening the top of the carton, remove the mounting hardware package from the foam inserts, then remove the motor from the packaging and place it on a soft surface, such as a carpet, to avoid damage to the finish.

Estimated Assembly Time: 120 minutes

Tools Required for Assembly (not included): Electrical Tape, Phillips Screwdriver, Pliers, Safety Glasses, Step Ladder, and Wire Strippers

Helpful Tools (not included): AC Tester Light, Tape Measure, Wiring Handbook, and Wire Cutters

WIRING

⚠ WARNING: To reduce the risk of fire, electrical shock, or personal injury, wire connectors provided with this fan are designed to accept only one 12 gauge house wire and two lead wires from the fan. If your house wire is larger than 12 gauges and there is more than one house wire to connect to the two fan lead wires, consult an electrician for the proper size wire connectors to use.

⚠ WARNING: If the house wires are different colors than referred to in the following step, stop immediately. A professional electrician is recommended to determine the correct wiring scheme.

CAUTION: Be sure the outlet box is properly grounded or that a ground (green or bare) wire is present.

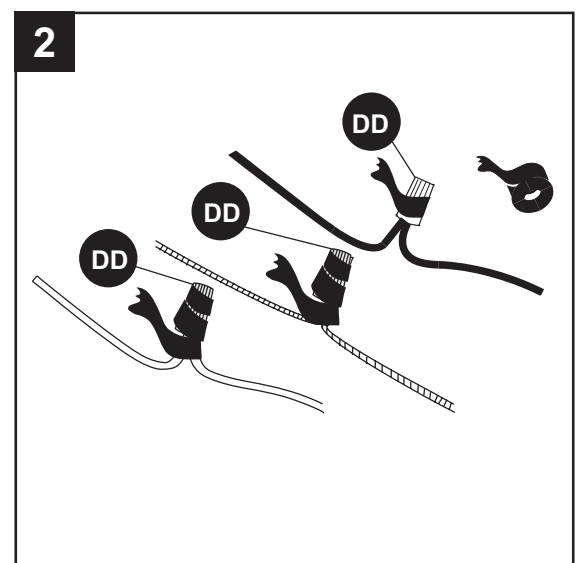
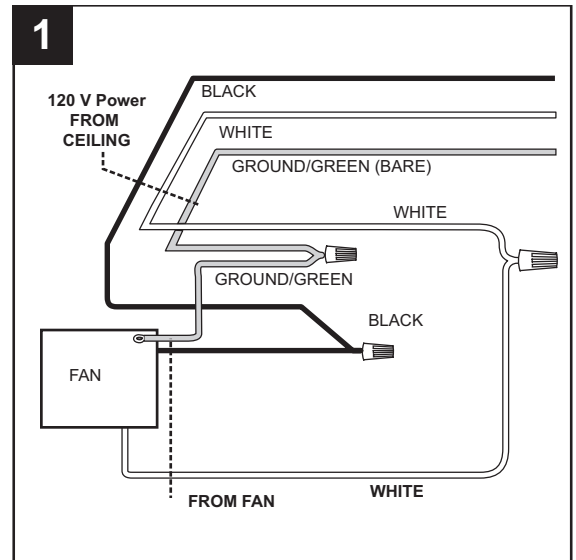
1. Connect with supply and fan wires according to the diagram and these steps:
 - Connect the Green/Ground wire from the downrod and the Green/Ground wire from the mounting bracket (D) to the Bare/Ground supply wire.
 - Connect the Red wire from the receiver (R) to the supply Black wire.
 - Connect the Black wire from the receiver (R) to the Black wire from the fan.
 - Connect the White wire from the receiver (R) to the supply White wire.
 - Connect the White wire from the receiver (R) to the White wire from the fan.
 - Connect the Blue wire from the receiver (R) to the Blue wire from the fan.
 - Secure all wiring connections together with wire connectors (BB).

Note: The Black wire is hot power for the fan. The Blue wire is hot power for the light kit. The White wire is common for the fan and light kit. The Green wire is the grounded wire. If house wires are different colors than referred to above, it is recommended a professional electrician determines the proper wiring.

Hardware Used

DD Wire Connector  x 4

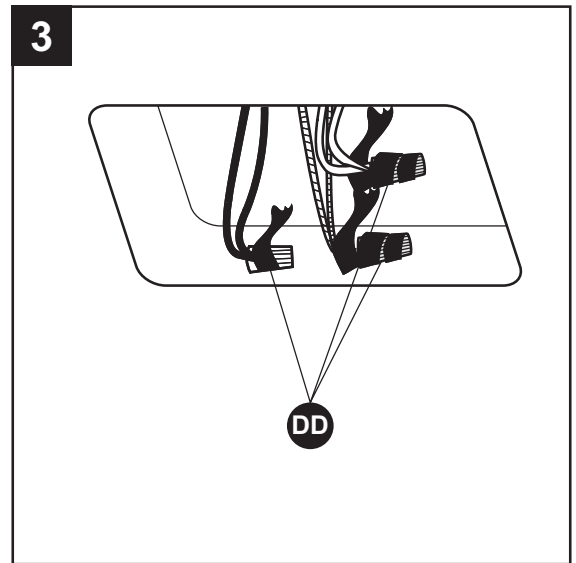
2. Wrap electrical tape (not included) around each individual wire connector (DD) down to the wire.



WIRING

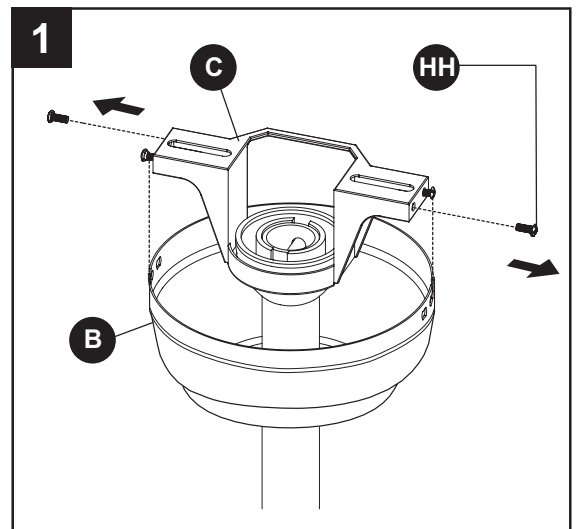
- Turn the spliced/taped wires upward and gently push the wires and wire connectors (DD) into the outlet box.

! WARNING: Ensure that no bare wire or wire strands are visible after making connections. Place the Green and White wire connections on opposite sides of the outlet box from the Black and Blue (if applicable) wire connections.




FINAL INSTALLATION

- Remove the two mounting bracket screws (HH) from the mounting bracket (C) and loosen the other two screws about 1/4 in. Then align the canopy (B) up to the ceiling over the loose mounting bracket screws (HH). Place the keyholes of the canopy (B) into the mounting bracket screws (HH) and rotate clockwise.



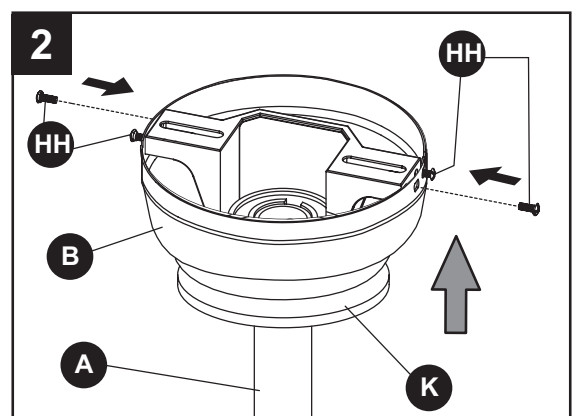
Hardware Used

HH Mounting Bracket Screw  x 4

- Secure the canopy (B) with the previously removed mounting bracket screws (HH) and securely tighten all four mounting bracket screws (HH). Push the canopy cover (K) up into the bottom of the canopy (B) until it is locked.

Hardware Used

HH Mounting Bracket Screw  x 4



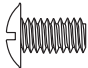
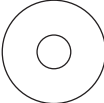
Note:

Closemount installation will not have the downrod (A) and canopy cover (K).

FINAL INSTALLATION

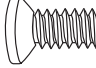

- Partially insert three blade screws (BB), along with three blade washers (CC) through one blade (H) and into one blade arm (G). Tighten each blade screw (BB) with a Phillips screwdriver (not included), starting with the one in the middle. Repeat this step for the remaining blades (H) and blade arms (G).

Hardware Used

BB	Blade Screw		x 15
CC	Blade Washer		x 15

- Align the holes of one blade arm (G) with two holes on the motor assembly (E) and attach with two motor screws (AA) and washers (LL) previously removed (Step 5, page 8) with a Phillips screwdriver. Repeat this step for the remaining blade arms (G).

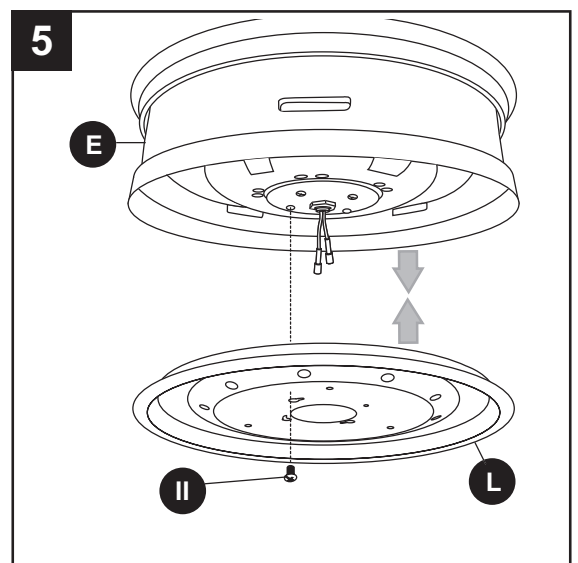
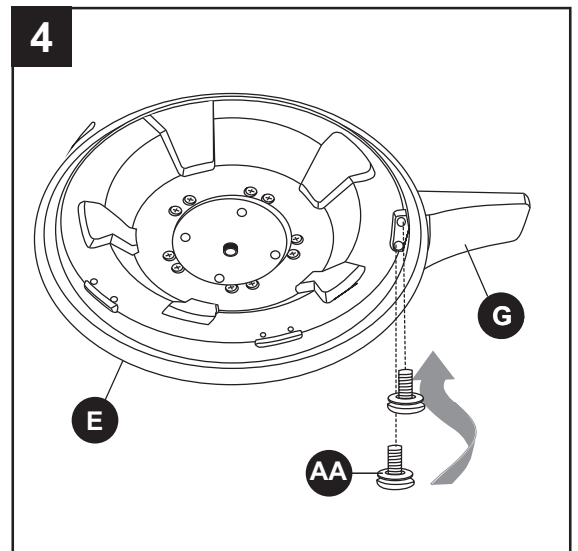
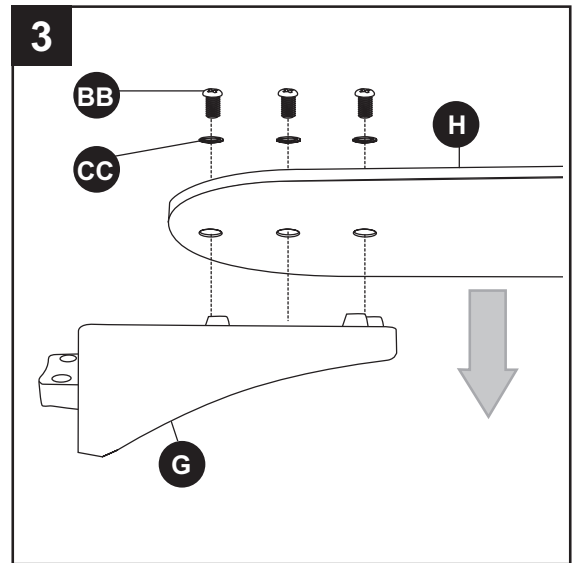
Hardware Used

AA	Motor Screw		x 10
LL	Motor Washer		x 10

- Remove one of the four fitter plate screws (II) located on the underside of the motor assembly (E) and loosen the other three screws. Align the screw holes of the light kit plate (L) with the loosened fitter plate screws (II). Then replace, and tighten all fitter plate screws (II).

Hardware Used

II	Fitter Plate Screw		x 4
-----------	--------------------	---	-----



OPERATING INSTRUCTIONS

1A. To operate the fan using remote control (M), press and release the following buttons:

Speed Control - Select fan speed 1 (low) - 6 (high).

Fan On/Off - Turns fan off or turns fan on at most recently selected speed. Press and hold to turn off or on the sounds from the remote control.

Natural Breeze - Simulates a natural breeze, as if you were outside. Press any speed control button to exit this mode.

Home Shield - When button is pressed, light blinks twice to confirm Home Shield mode.

Sleep Timer - Turns fan off after **(2H)** 2 hours, **(4H)** 4 hours or **(8H)** 8 hours.

Light Control - Turns light off or on.

Walk Away Light Delay - Delays turning off light for 1 minute which allows safe exit from room.

Season Slide Switch - Changes direction of blade rotation. For warm weather slide switch to the left and for cool weather slide switch to the right.

IMPORTANT: The dimmer function does not work with CFL bulbs.

1B. Remove battery door from back of the remote control (M) to access the following:

DIP Switch - Changes signal frequency (see troubleshooting for instructions).

Learn - Syncs remote control to receiver (see troubleshooting for instructions).

Battery Compartment - When necessary, replace the 12-volt battery (O) and replace the battery door.

