

DO NOT USE LOW RESOLUTION PDF FILE FOR PRINTING. ONLY USE THE HIGH RESOLUTION AI FILE
这是一个低分辨率的PDF文件,绝对不能用来做印刷,只能用高分辨率的AI

MERKURY
INNOVATIONS

MERKURY INNOVATIONS CONFIDENTIAL

FILE INFORMATION

DATE: 06/30/21
 FACTORY: China Etech Groups Ltd.
 MODEL NUMBER:
 MI-S071B-101B (Manual)

PRINTER SPECIFICATIONS

FILE NAME: MI-S071B-101B_Manual_063021_0L.ai
 SCALE: 100%
 SIZE: Trim: W 296mm x H 160mm
 PAPER STOCK: 80g Art Paper

FINISH: Matte Lamination

INKS: 1/0

Greyscale

PRESS WORK / NOTES: Trim to size, score, fold,
 & glue in specified areas.

Trim

Score

DO NOT print Comments or Dielines.

Physical sample according to specs must be approved
 by MERKURY before proceeding to production.

CONTACT

MERKURY CHINA:

Perry
 perry@mercuryinnovations.com.cn

COMMENTS (Internal reference only)

File created by Eileen
 - Please include this manual in all packaging
 for MI-S071B-101B
 - Greyscale
 - Double-sided printing
 - Matte Lamination

FCC Warning

This device complies with part 15 of the FCC Rules. Operation is subject to the following two conditions:

(1) This device may not cause harmful interference, and (2) this device must accept any interference received, including interference that may cause undesired operation.

Any Changes or modifications not expressly approved by the party responsible for compliance could void the user's authority to operate the equipment.

This equipment has been tested and found to comply with the limits for a Class B digital device, pursuant to part 15 of the FCC Rules. These limits are designed to provide reasonable protection against harmful interference in a residential installation. This equipment generates uses and can radiate radio frequency energy and, if not installed and used in accordance with the instructions, may cause harmful interference to radio communications. However, there is no guarantee that interference will not occur in a particular installation. If this equipment does cause harmful interference to radio or television reception, which can be determined by turning the equipment off and on, the user is encouraged to try to correct the interference by one or more of the following measures:

- Reorient or relocate the receiving antenna.
- Increase the separation between the equipment and receiver.
- Connect the equipment into an outlet on a circuit different from that to which the receiver is connected.
- Consult the dealer or an experienced radio/TV technician for help.

FCC RF exposure statement:

To maintain compliance with FCC's RF Exposure guidelines, This equipment should be installed and operated with minimum distance between 20cm the radiator your body.

FCC ID: 2AS50-S071B

INSIDE

GETTING STARTED:

Package Includes:

- Stellaris Projector
- USB Power Cable
- Remote Control
- User Manual

Projector Setup

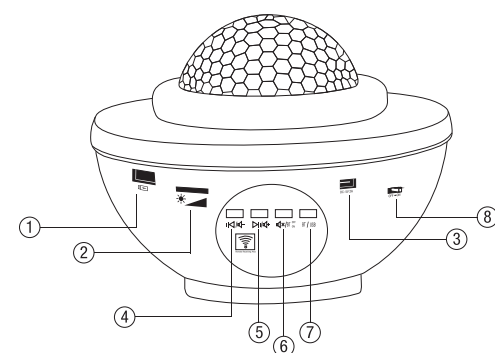
- The projector is USB powered. Connect to any standard USB power source using the included cable.
- The Projector works best in darker spaces with limited light distortion.

USING THE LASER LIGHT

- Connect the USB cable to the laser light and then plug into any standard power source.
- Power on the Laser Light using the included remote or the power button located on the base of the light.
- Use the base of the light or the included remote to customize the colors and effects.
- **Note: The lights will automatically turn off after 4 hours of inactivity to reserve battery.**

CONNECTING TO SPEAKER VIA BLUETOOTH

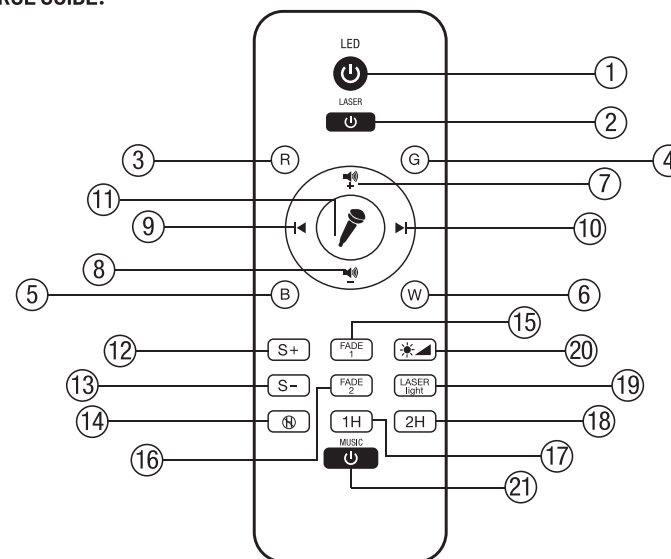
- The speaker is ready to pair with your device when powered on if there is no USB port connected.
- Locate the Bluetooth Menu in your smart device and search for "Mercury MI-S071B" in the Pair New Device section. It may take a minute to appear.
- Tap 'connect' and a tone will emit to confirm your connection!
- All audio, including music, media, and calls will play through the speaker.
- Speaker will automatically reconnect to your device every time it is in range and the device is powered on.



PROJECTOR BASE GUIDE

1. USB Drive input. (Automatically finds and plays standard music files)
2. Adjust Brightness
3. Power Cable Input
4. Previous Track (Press & Hold = Decrease Volume)
5. Skip Track (Press & Hold = Increase Volume)
6. Play/Pause Music
7. Switch to Bluetooth Mode when a USB drive is connected
8. Power ON/OFF

REMOTE CONTROL GUIDE:



1. Power ON/OFF
2. Laser Light ON/OFF
3. Red Light ON/OFF
4. Green Light ON/OFF
5. Blue Light ON/OFF
6. White Light ON/OFF
7. Volume Up
8. Volume Down
9. Previous Track
10. Next Track
11. Enable Sound-Sync Mode
12. Increase Rotation Speed
13. Decrease Rotation Speed
14. Cancel a Set Timer Mode
15. Enable Fade Effect 1
16. Enable Fade Effect 2
17. Press and Hold to Enable 1 Hour Timer.
18. Press and Hold to Enable 2 Hour Timer
19. Toggle Laser Light Fade ON/OFF
20. Adjust Brightness
21. Music ON/OFF

(NOTE: A beep will emit to verify timer has been set.)

OUTSIDE(FRONT)

MERKURY
INNOVATIONS

STELLARIS
WIRELESS SPEAKER
+ STARLIGHT PROJECTOR



User Manual for MI-S071B

Box Included:

Laser Projector, USB Power Cable, Remote Control, User Manual

NOTICE:

This product will automatically turn off after 4 hours of continuous use to preserve the life of the product and the laser installed in the device.

SPECIFICATION:

Maximum LED Power: 2 - 4W
 Green Laser: <1mW
 Power Input: USB DC5V/200mA
 Operation Temperature: 14°F - 104°F
 Projection Coverage: 161-538 ft
 Product Dimensions: 125 x 164mm



WARNING / CAUTION:

- Do not take apart the projector light or attempt to repair it yourself.
- Do not get projector wet or operate in a damp environment.
- Do not direct LED light into anyone's eyes.

TECHNICAL SUPPORT:

Please do not attempt to fix the product by yourself. If you are experiencing any problems with the product, please do not return it to the store you bought it from. You can contact our technical support representatives and they will assist you with any questions you might have.

For assistance operating your product, please consult the User's Manual first, then feel free to contact Mercury Innovations technical support:
 Mercury Innovations
 45 Broadway, 3rd Fl
 New York, New York 10006
 www.mercuryinnovations.com
 E-mail: support@mercuryinnovations.com

© 2021 Mercury Innovations LLC • 45 Broadway 3rd Fl, New York, NY 10006
 To explore our full selection of products, visit us at: www.mercuryinnovations.com
 The illustrated product and specifications may differ slightly from that supplied.
 The Bluetooth word mark and logos are registered trademarks owned by Bluetooth SIG, Inc.
 All other trademarks and trade names are those of their respective owners.
Made in China