

Troubleshooting

Problem	Reason	Solution
The LED receiver is blinking	The receiver does not receive a signal	Check the binding of the drone and make sure the handset is turned on.
The drone is not recognised	You are out of reach	Decrease the distance to the drone
	The handset batteries are too low	Put new batteries into the handset
The rotor is making strange noises	The rotor blade is damaged	Replace the rotor
After changing the blades, the drone does not fly properly	The blades are not installed properly	Install the blades properly
The drone does not rise up after charging	Battery or charger damaged	Replace the battery or charger
	The battery was not charged enough	Always charge the battery until it is fully charged
The LED's are blinking and the drone does not have fully power	The battery is empty	Recharge the battery

DECLARATION OF CONFORMITY
 Manufacturer's Name: China Industries Ltd. T/A Wow! Stuff
 Manufacturer's Address: Creative Industries Centre, Wolverhampton Science Park, Wolverhampton, WV10 9TG, UK
 Type of Equipment: Pocket Drone
 Model Number: TX-1022
 Year of Manufacture: 2015
 Application of Council Directive(s): 1999/5/EC The Radio Equipment and Telecommunications Terminal Equipment Regulations 2000 (and its amending directives)

Standard(s) to which Conformity is Declared: EN62479, EN62115, EN301 489-1/3, EN300 440-1/-2

"Hereby, China Industries Ltd. T/A Wow! Stuff, declares that this Stunt Plane Extreme is in compliance with the essential requirements and other relevant provisions of Directive 1999/5/EC."

Place: Wolverhampton, UK
 Date: April 2014

Dr. Graeme Taylor
 Director

CE 0678

Distributed by: China Industries Ltd. T/A Wow! Stuff,
 Creative Industries Centre, Wolverhampton Science Park,
 Wolverhampton, WV10 9TG.
 www.wowstuff.com

Designed by TX Juice in the UK, California and Asia.
 Manufactured and assembled in China.

Operating Safety Instructions

- Choose a spacious, obstacle-free area when operating indoors, ensure that the device is operating away from electronic fans and air conditioners as these may affect air flow.
- Choose a fine, calm day. It is not recommended to fly the plane in winds over 5mph.
- Power consumption will increase when operating in strong winds, which can also affect proper control of the aeroplane and may result in damage.
- Operation away from crowds, ponds, residential buildings and trees is recommended.
- Do not operate in the rain or snow or near to any high voltage cables.
- This product is not intended for use by individuals (including children) with reduced physical, sensory or mental capabilities or lack of experience and / or knowledge, unless they are supervised by a person responsible for their safety and is able to give instructions about how the product should be used.
- Children should be supervised to ensure that they do not play with the product.
- Keep the model away from children in case it is not appropriate to be used by a child (see note of age).
- Warning: Risk of eye injury! Keep a safe distance of at least 1 m.
- Keep hands, hair and loose clothing away from the rotor, do not reach into the rotors.
- Never allow anything to come into contact with the rotors.
- After you have flown, always allow the motor, electronics and battery to cool down especially before charging.

Safe Usage and Maintenance

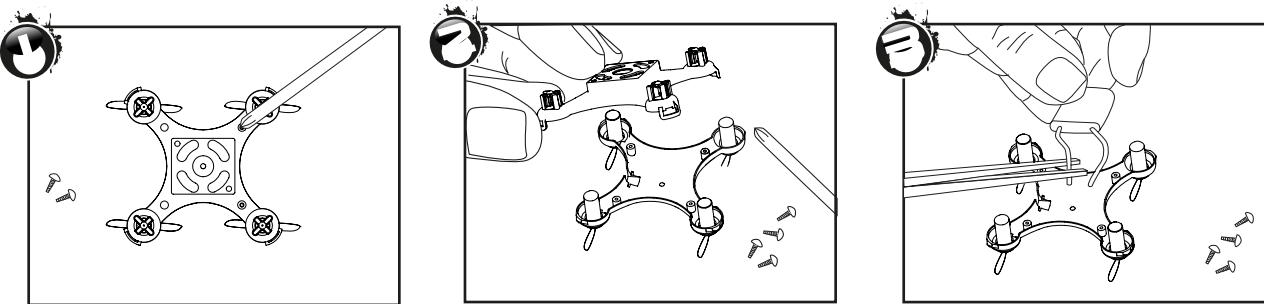
- If not in use for a long time, remove batteries from the controller.
- Ensure that the device is placed away from heat sources.
- Do not place in water as this may cause short circuit of the circuit board.
- Do not expose the plane to extreme temperatures.
- Always keep the plane clean, use a damp cloth to clean, followed by a dry cloth to wipe water away. Never use chemicals to clean the product.
- Long operation time may generate high heat levels causing wear and tear. To extend product life, operators are recommended to allow a 10-15 minute cool down period before recharging batteries.
- Keep this instruction manual for future use.

Attention!

Before operating: Switch the handset on first, then the drone.
 When finished: First switch off the drone, then the handset.

Disposal of Drone

Disposal of Li-poly battery instructions
 (Only follow these instructions when you wish to dispose of your Pocket Drone).
Warning: Batteries should only be removed by an adult. Children should not be allowed to carry out the following procedure.



- Using a Phillips screwdriver, unscrew the four screws on the base of the Pocket Drone
- Remove the casing and carefully remove the battery.
- Carefully cut the wires connecting the Li-Poly battery to the Pocket Drone. Use tape to cover the end of each wire from the battery to prevent short circuit.

WARNING: CUTTING BOTH WIRES AT THE SAME TIME MAY CAUSE A SHORT CIRCUIT & POTENTIALLY DANGEROUS RISK OF THE BATTERY OVERHEATING

WARNING: C E

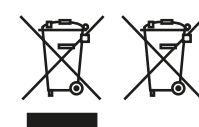
Not suitable for children under 3 years old due to small parts which may present a choking hazard.
 Not recommended for use by children under 8 years old.
 Please retain this information for future reference.

Adult supervision required. Operates on 2.4 GHz frequency.
Before first use: read the user's information carefully together with your child. Keep the instructions and packaging after reading it. •Check if the toy is assembled as instructed. •Do not change or modify anything on the drone. •Warning! Do not touch the rotating propeller. •Keep face, eyes, fingers, hair, body parts etc away from the propeller and other moving parts. •Always fly in an open space. •Do not expose to rain or moisture. •Do not fly in a crowded environment. •Do not fly in a dusty area. •Do not fly in complete darkness. •Ensure people know that you are flying the drone. •Never fly near pylons, substations, cables, roads, railways, trees, buildings, people, animals or any other object that could represent a hazard to yourself or others! •Never fly in a thunder storm. •Use only the handset included in this package. •Always turn "OFF" when not in use. •Contains battery. Battery must be recycled or disposed of properly. •Do not start the drone when persons, animals or any objects are within flying range of the drone. •Do not throw or hold any objects near the rotor. **Caution!** Risk of eye injuries! Keep a safe distance of at least 1m. •Do not fly near your face to avoid injuries. •Flying the aeroplane requires skill and children must be trained under the direct supervision of an adult. •Children should be supervised when playing with the product.

Battery Information

- Non-rechargeable batteries are not to be recharged.
 - Rechargeable batteries are only to be charged under adult supervision.
 - Rechargeable batteries are to be removed from the toy before being charged.
 - Do not mix old and new batteries.
 - Do not mix alkaline, standard (carbon-zinc) or rechargeable (Ni-Cd) batteries.
 - Batteries are to be inserted with the correct polarity.
 - Exhausted batteries are to be removed from the toy.
 - The supply terminals are not to be short-circuited.
 - Contains Li-poly battery, battery must be recycled or disposed of properly.
- Always:**
- Make sure battery compartments are secure.
 - Use batteries of the correct size and type.
 - Fit batteries correctly observing the plus and minus marks on the battery and compartment.
 - Replace a whole set of batteries at one time.
 - Remove dead batteries from equipment.
 - Remove batteries from appliance that will not be used again for a long time.
 - Please remember that all S batteries should be kept away from young children as they could be easily swallowed. Seek medical advice if you believe a cell has been swallowed.
 - Please ensure that batteries are installed by an adult prior to use.
- Never:**
- Never dispose of batteries in a fire.

Consumers have a significant role to play in reducing the impact of waste electrical and electronic equipment on the environment, you can help by re-using or recycling such equipment.



The crossed out wheeled-bin symbol indicates that the product & batteries must not be disposed of in domestic waste as they contain substances which can be damaging to the environment and human health. If you cannot re-use or recycle the product or batteries, please use designated collection points, or civic recycling facilities to dispose of them.

This device complies with Part 15 of the FCC Rules. Operation is subject to the following two conditions: (1) this device may not cause harmful interference, and (2) this device must accept any interference received, including interference that may cause undesired operation.

Warning: Changes or modifications to this unit not expressly approved by the party responsible for compliance could void the user's authority to operate the equipment.

NOTE: This equipment has been tested and found to comply with the limits for a Class B digital device, pursuant to Part 15 of the FCC Rules. These limits are designed to provide reasonable protection against harmful interference in a residential installation. This equipment generates, uses and can radiate radio frequency energy and, if not installed and used in accordance with the instructions, may cause harmful interference to radio communications. However, there is no guarantee that interference will not occur in a particular installation. If this equipment does cause harmful interference to radio or television reception, which can be determined by turning the equipment off and on, the user is encouraged to try to correct the interference by one or more of the following measures:

- Reorient or relocate the receiving antenna.
- Increase the separation between the equipment and receiver.
- Connect the equipment into an outlet on a circuit different from that to which the receiver is connected.
- Consult the dealer or an experienced radio/TV technician for help.

Battery requirement for Handset
 Rating: 4 x 1.5V AA batteries (not included)

exJuice™

INSTRUCTION MANUAL



POCKET DRONE™

BC

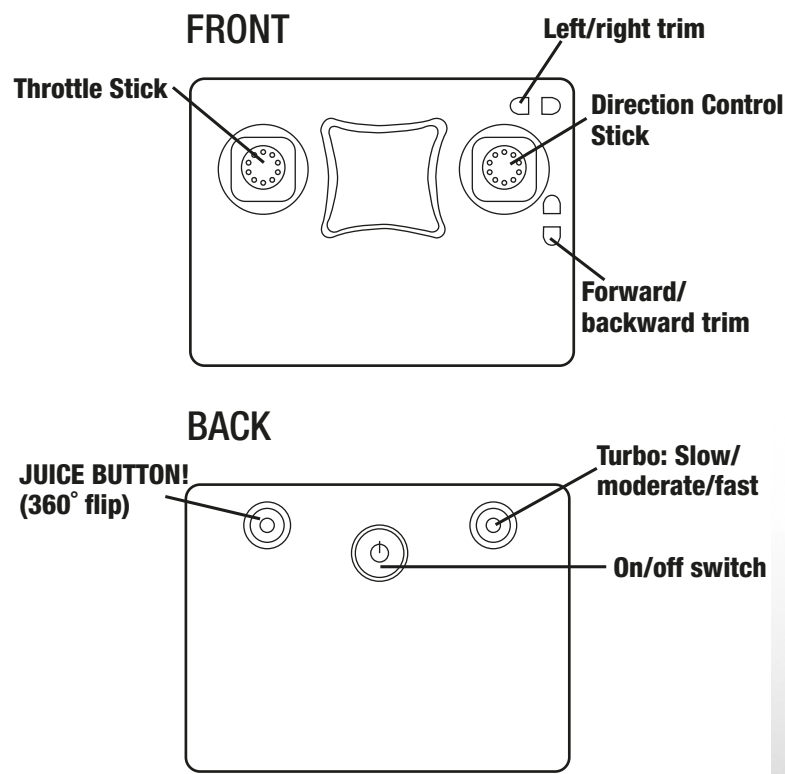
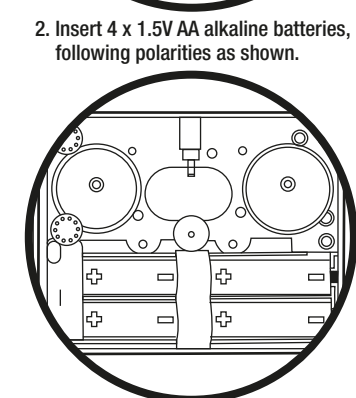
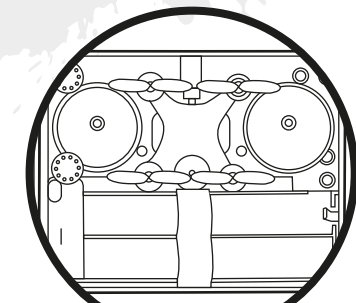
Contents

- 2.4Ghz Pocket Drone handset. Uses 4 x AA 1.5V batteries (not included)
- 2.4Ghz Drone
- 2 x joysticks
- 4 x spare propellers
- Full instructions for use



Handset

- Open the handset cover.



Charging

- Once batteries are installed in the handset, make sure that the drone is switched off
- Lift the charging station on the remote control lightly upwards
- Plug-in the drone onto the loading station of the remote control. The drone can be easily connected to the charging station
- The charging LED will light up during charge. When the LED will turn off once the charging process is completed.
- Remove the drone from the handset. The charging process should take approx. 40 - 60 min. and should give you approx. 5 - 10 min. flying time.

Note:
 In case the charging LED does not light up, then the drone is either fully charged or the contact to the charging station is interrupted. In case of an interruption, move the drone once attached to the charging station for the LED to light up.

Flying the Pocket Drone

Your RC drone is fitted with a power-on failsafe. This is designed to ensure that the drone motor will not start unless it detects a suitable radio-control signal.

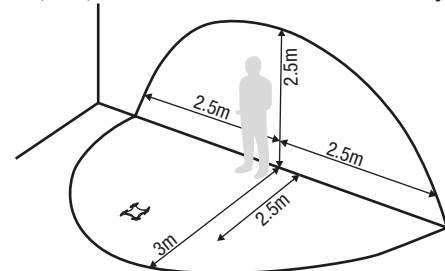
- For transport reasons the control sticks are unplugged and plugged in the handset casing. Before flying, remove the control sticks from the handset casing. The handset casing can be opened to the left on the right side of the transmitter. Only plug-in the control sticks after closing the transmitter casing. For storage or transport the control sticks can be placed back inside the transmitter casing.
- Before first flight, reset the calibration of the drone in order to ensure it is accurately balanced.
- Switch on the drone and place this on a spacious flat ground. At this time avoid moving the drone so the radio and gyro system can initialize. The LED on the drone will blink.
- Make sure that the throttle sticks are positioned downwards (no throttle is given) and turn on the handset.
- Place the drone with the back facing to you (the black blades) on a flat surface. Practice only to hover with the throttle control. Then, you try to change the position of the drone using the right stick (forward, backward, sideways) and possibly correct the flight. At last, you should practice turning the drone around its own axis with the left stick. If you are into the basic functions of the drone you can perform your first controlled flight.

Trimming the Drone

Trimming the drone allows the drone to hover steadily in one place. If the drone drifts off to one direction, press the opposite direction trim button until drifting has stopped.

Choosing the Right Venue and Weather

- Choose a spacious, obstacle-free area when operating indoors, ensure that the device is operating away from electronic fans and air conditioners as these may affect air flow.
- Choose a fine, calm day. It is not recommended to fly the drone in winds over 5mph.
- Power consumption will increase when operating in strong winds, which can also affect proper control of the drone and may result in damage.
- Operation away from crowds, ponds, residential buildings and trees is recommended.
- Do not operate in the strong wind, rain, thunderstorms or snow or near to any high voltage cables.



Performance

MANUAL CONTROL TRIGGER	REMOTE CONTROL	MOVEMENTS
Push the throttle forward to fly up and increase altitude (Take off / fly upward). Alternatively, decrease height by pushing downwards.		
Use the right hand throttle stick to control the direction of the drone by moving the throttle forwards, backwards, left and right.		
Move the throttle left and right to rotate the drone on its own axis.		
Button A: JUICE BUTTON! Press the button once to execute a 360° flip.		
Button B: Turbo button Pressing the button allows you to change between the 3 speeds; slow, medium and fast		
A combination of all controls allows further stunts to be practised.		
RESETTING THE CALIBRATION. If the drone becomes unbalanced following a crash; please proceed as follows: Hold the left stick to the bottom left and the right stick to the upper right simultaneously for about 4 seconds. This should now be calibrated.		

IT'S ALL ABOUT THE BUTTON!

ONE PRESS!

Press the Juice Button™ for a full 360° Flip! !

Fast charge while in your pocket! Juice button activates mid-air flips. 3 speeds to suit beginners or experts.