

Troubleshooting

Problem	Reason	Solution
The Power Indicator LED (2) is not on	The Power Switch (1) is in the OFF position Batteries not correctly loaded as per the polarity shown Batteries are exhausted	Switch the Power Switch (1) to ON Check and make sure the batteries are loaded as per the correct polarity shown in the battery compartment Replace with new batteries
Handset is not working	The Power Switch (1) is in the OFF position The Drone is not paired with the handset Wind is too strong	Switch the Power Switch (1) to ON Remove and re-insert the drone battery which should pair them Do not fly the Forever Ready Drone in windy conditions
Auto-Stunt Button (8) does not work	Auto-Stunt only works when Drone is hovering and stable after being started with Juice Button (7)	Follow instructions and start with Juice Button (7)
Flips are difficult to perform	Drone power is low	Recharge Drone battery/change battery
Juice Button (7) does not give stable hovering flights	You are flying outside or in direct sunlight Floor surface is not even (colour/texture)	Fly indoors only when using Juice Button (7) Move to a more evenly reflective surface or to Pro Mode (not using the Juice Button)
Drone is out of control	Drone has crashed	Press and hold down Juice Button (7) and press Throttle Joystick (5) down for emergency stop

DECLARATION OF CONFORMITY
 China Industries Ltd. T/A Wow! Stuff
 Creative Industries Centre, Wolverhampton Science Park,
 Wolverhampton, WV10 9TG, UK

Type of Equipment: Forever Ready Drone
 Model Number: TX-1029
 Year of Manufacture: 2016
 Receiver Category: 3

Application of Council Directive(s): 2014/53/EU The Radio Equipment Directive
 Standard(s) to which Conformity is Declared: EN62479, EN62115, EN301 489-1/3, EN300 440-1/2

We declare on our sole responsibility that its equipment complies with the essential requirements of the Radio Equipment Directive, 2014/53/EU, and that any applicable Essential Test Suite measurements have been performed.
 CE versions of the Forever Ready Drone (MN: TX-1029) which display the CE symbol on the product label, comply with the essential requirements of the Radio Equipment Directive 2014/53/EU.

Place: Wolverhampton, UK
 Date: May 2016

Dr. Graeme Taylor
 Director

Distributed by: China Industries Ltd. T/A Wow! Stuff,
 Creative Industries Centre, Wolverhampton Science Park,
 Wolverhampton, WV10 9TG. © Copyright. All rights reserved.

Designed by TX Juice in the UK, California and Asia.
 Manufactured and assembled in China.

www.wowstuff.com

For the most updated instructions as well as Tips & Tricks go to: www.txjuice.com

Operating Safety Instructions

- When using indoors, choose a spacious, obstacle-free area and ensure that the device is operated away from fans and air conditioners as these may affect air flow.
- When using outdoors, choose a fine, calm day. It is not recommended to fly the product in winds over 5mph. Power consumption will increase when operating in strong winds, which can also affect proper control of the product and may result in damage. Operation away from crowds, ponds, residential buildings and trees is recommended. Do not operate in the rain or snow or near to any high voltage cables.
- This product is not intended for use by individuals (including children) with reduced physical, sensory or mental capabilities or lack of experience and / or knowledge, unless they are supervised by a person responsible for their safety and is able to give instructions about how the product should be used.
- After you have used the product, always allow the motor, electronics and battery to cool down especially before recharging.
- This toy is intended to be used in domestic area (house and garden) only.

Safe Usage and Maintenance

- If not in use for a long time, remove batteries from the controller.
- Ensure that the device is placed away from heat sources.
- Do not place in water as this may cause a short circuit of the circuit board.
- Do not expose the product to extreme temperatures.
- Always keep the product clean, use a damp cloth to clean, followed by a dry cloth to wipe water away. Never use chemicals to clean the product.
- Long operation time may generate high heat levels causing wear and tear. To extend product life, operators are recommended to allow a 10-15 minute cool down period before recharging batteries.
- Keep this instruction manual for future use.

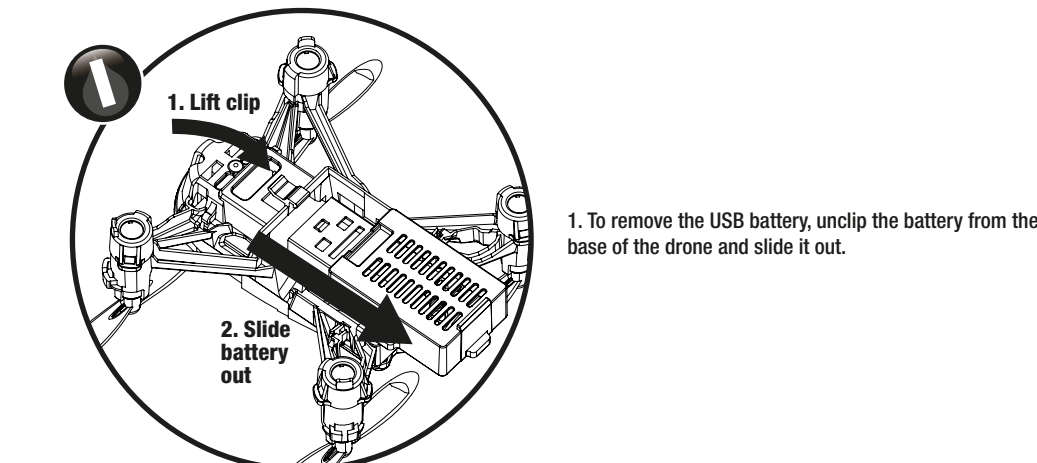
Attention!

Before operating: Switch the Drone on first, then the handset.
 When finished: First switch off the Drone, then the handset.

When the drone is hovering at a constant height, not close to the ceiling, wall, floor etc. The user can stop the drone by pressing once the Juice Button (7) (1 second).
 If the drone is not hovering at a constant height and is attached to the ceiling or wall, the user can stop the drone by pressing the Juice Button (7) down and press Throttle Joystick (5) down for 3 seconds until the drone completely stops.

Disposal of Forever Ready Drone

Disposal of Li-poly battery instructions
 (Only follow these instructions when you wish to dispose of your Forever Ready Drone).
Warning: Batteries should only be removed by an adult. Children should not be allowed to carry out the following procedure.

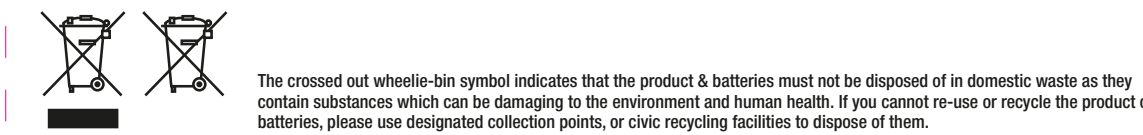


WARNING:

CHOKING HAZARD – Small Parts
 Not suitable for children under 3 years
 Not recommended for use by children under 8 years old.
 Please retain this information for future reference.
 Adult supervision required. Operates on 2.4 GHz frequency.
 Before first use: read the instruction manual carefully together with the user. Keep the instructions and packaging after reading it. •Check if the product is assembled as instructed. •Do not change or modify anything on the product. •Warning! Do not touch the rotating propeller. •Keep face, eyes, fingers, hair, body parts etc away from moving parts. •Always fly in an open space. •Do not expose to rain or moisture. •Do not fly in a crowded environment. •Do not fly in a dusty area. •Do not fly in complete darkness. •Ensure people know that you are flying the product. •Use only the handset included in this package. •Always turn "OFF" when not in use. •Contains battery. Battery must be recycled or disposed of properly. •Do not start the product when persons, animals or any objects are within flying range of the product. •Children should be supervised when playing with the product. •Do not fly near your face to avoid injuries.

Caution! Risk of eye injuries! Keep a safe distance of at least 2.5m.

- Battery Information**
- Non-rechargeable batteries are not to be recharged.
 - Rechargeable batteries are only to be charged under adult supervision.
 - Rechargeable batteries are to be removed from the toy before being charged.
 - Do not mix old and new batteries.
 - Do not mix alkaline, standard (carbon-zinc) or rechargeable (Ni-Cd) batteries.
 - Batteries are to be inserted with the correct polarity.
 - Exhausted batteries are to be removed from the toy.
 - The supply terminals are not to be short-circuited.
 - Contains Li-poly battery. Battery must be recycled or disposed of properly.
- Always:**
- Make sure battery compartments are secure.
 - Use batteries of the correct size and type.
 - Fit batteries correctly observing the plus and minus marks on the battery and compartment.
 - Replace a whole set of batteries at one time.
 - Remove exhausted batteries from equipment.
 - Remove batteries from appliance that will not be used again for a long time.
 - Please remember that all batteries should be kept away from young children as they could be easily swallowed. Seek medical advice if you believe a cell has been swallowed.
 - Please ensure that batteries are installed by an adult prior to use.
- Never:**
- Never dispose of batteries in a fire.
- Consumers have a significant role to play in reducing the impact of waste, electrical and electronic equipment on the environment, you can help by re-using or recycling such equipment.



This device complies with Part 15 of the FCC Rules. Operation is subject to the following two conditions: (1) this device may not cause harmful interference, and (2) this device must accept any interference received, including interference that may cause undesired operation.

Warning: Changes or modifications to this unit not expressly approved by the party responsible for compliance could void the user's authority to operate the equipment.
NOTE: This equipment has been tested and found to comply with the limits for a Class B digital device, pursuant to Part 15 of the FCC Rules. These limits are designed to provide reasonable protection against harmful interference in a residential installation. This equipment generates, uses and can radiate radio frequency energy and, if not installed and used in accordance with the instructions, may cause harmful interference to radio communications. However, there is no guarantee that interference will not occur in a particular installation. If this equipment does cause harmful interference to radio or television reception, which can be determined by turning the equipment off and on, the user is encouraged to try to correct the interference by one or more of the following measures:

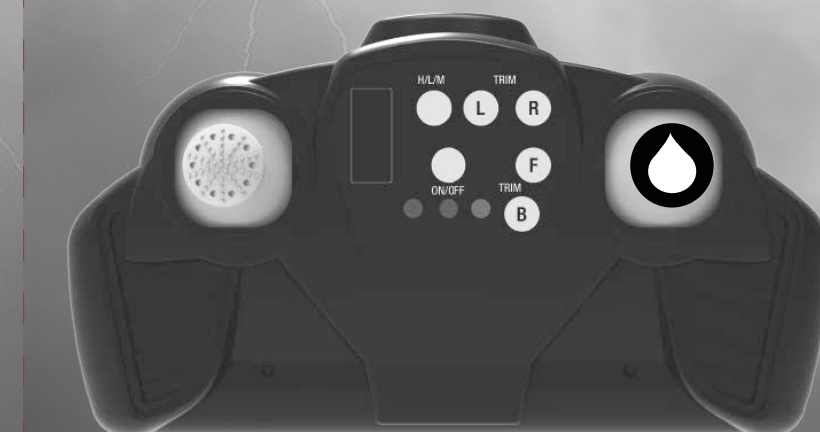
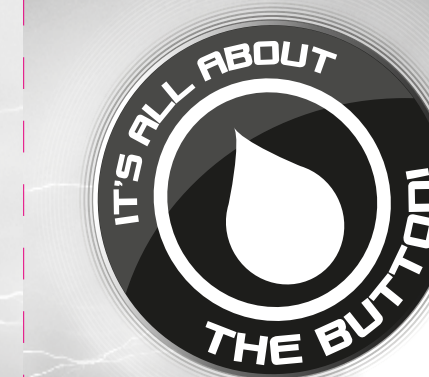
- Reorient or relocate the receiving antenna.
- Increase the separation between the equipment and receiver.
- Connect the equipment into an outlet on a circuit different from that to which the receiver is connected.
- Consult the dealer or an experienced radio/TV technician for help.

Battery requirement for Handset
 Rating: 4 x 1.5V AA batteries (not included)

For the most updated instructions as well as Tips & Tricks go to: www.txjuice.com

txJuice™

14+



FOREVER READY DRONE
 INSTRUCTION MANUAL

BC

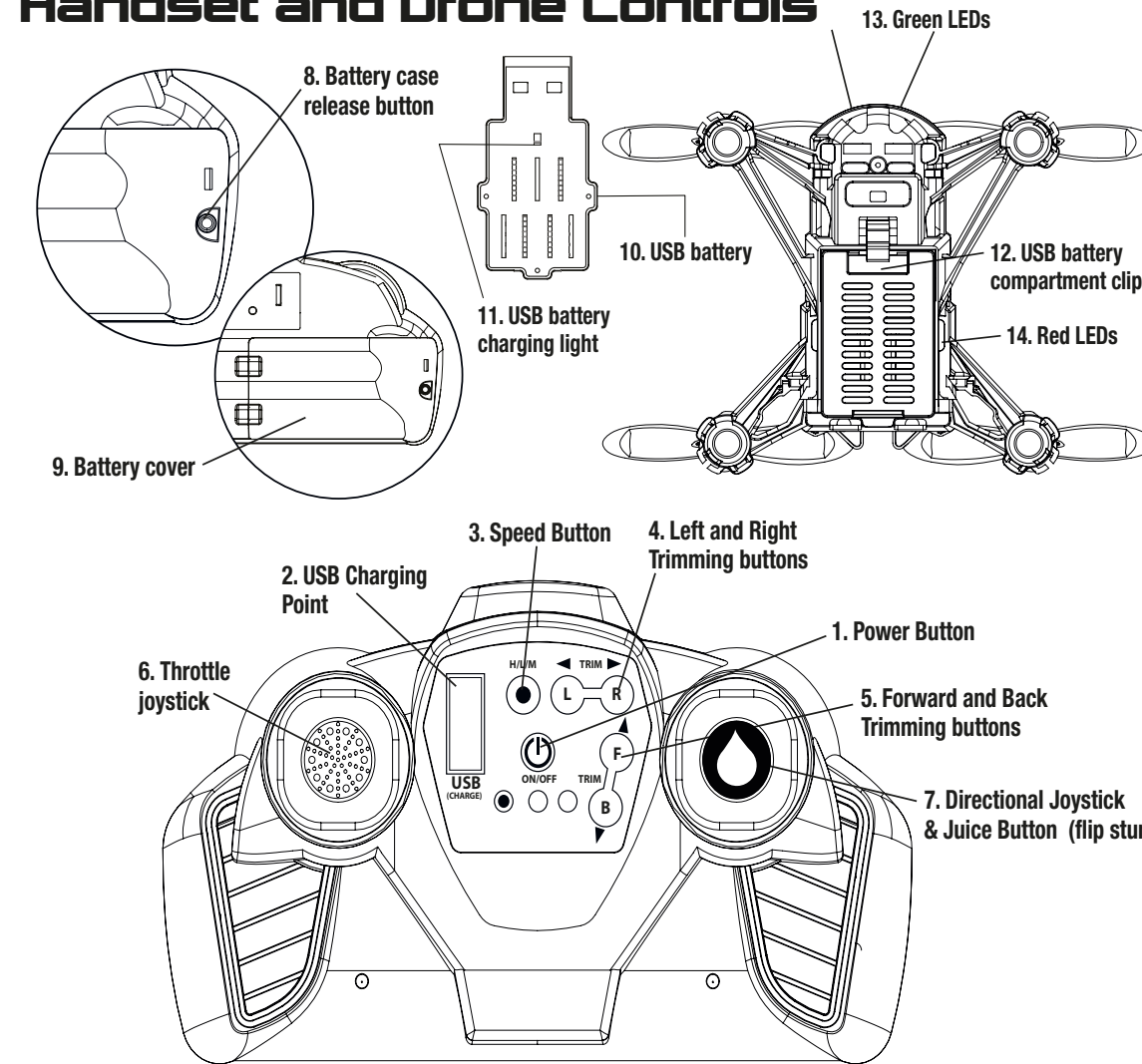
For the most updated instructions as well as Tips & Tricks go to: www.txjuice.com

Contents

- Forever Ready Drone
- 2 x USB batteries
- 2.4 GHz TX Handset/Drone Charger (requires 4 x AA 1.5V batteries (available separately))
- 8 x spare propellers
- Full instructions for use



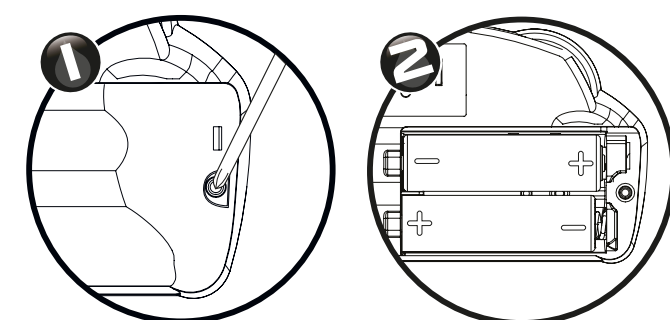
Handset and Drone Controls



Charging

Handset Charging
 The handset is charged and powered by the 4 x 1.5V AA batteries inserted into the handset as shown below.

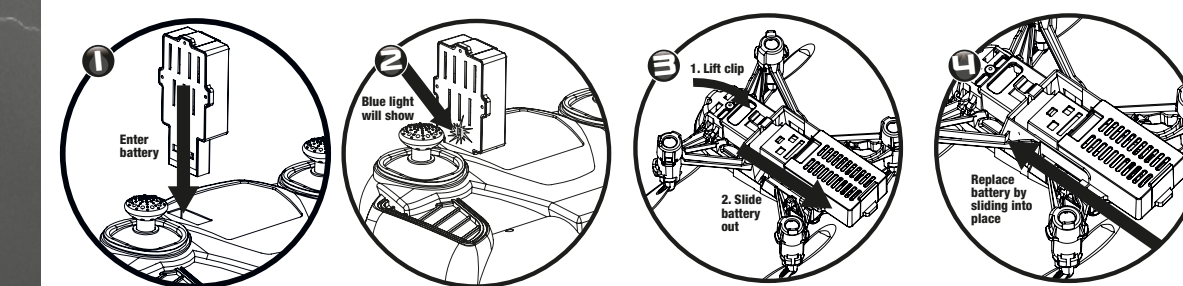
- Using a screw driver, or other thin tool, press the battery case release button (8) and remove the battery cover (9).
- Insert 4 x 1.5V AA alkaline batteries, following polarity markings.
- Replace battery cover (9).



Forever Ready Drone Charging

The Drone is powered by a USB battery unit. Two are included with this product to maximize your flying time. These USB batteries can be charged through the USB Charging Port (2) in the handset or any USB port. Please note that charging from the handset will reduce battery life of the handset batteries and for this reason it is recommended where possible to use an alternative USB port.

- Enter the USB Battery (10) in to any USB port or the USB Charging Port (2) in the handset.
- The LED battery charging light (11) will go on during charging and turn off when fully charged
- The USB batteries can be very easily swapped by pulling gently up the USB Battery Compartment Clip (12) and sliding the USB Battery (10) out
- Replace with the other USB Battery that is charged by slipping it in to the underside of the Drone as shown in diagram



Where to Fly the Forever Ready Drone

The Forever Ready Drone is best flown indoors, though in calm weather conditions it can also be flown outside.

When flying indoors choose a spacious, flat, obstacle free area, away from strong drafts, fans or air conditioners, as these can affect airflow and make controlling flights very difficult.

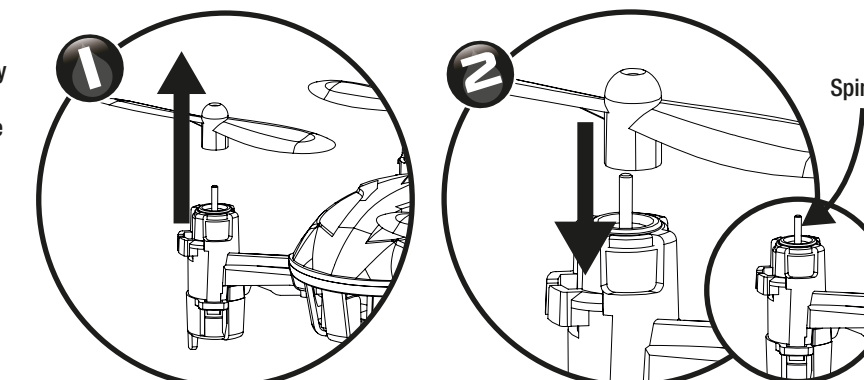
Only attempt to fly outdoors on a very calm day (wind less than 5mph) with no rain, snow or water on the ground. Never fly near crowds of people, pets or other animals, near ponds, or any other water, and keep well away from any high voltage power lines.



Replacing the Propellers

The propellers are either marked A or B, and the same lettered spares must be used on each, for example if an A is damaged it must be replaced by another A propeller. Note that although its best to have yellow at front and black propellers at the rear, mixed colours at front and rear can be used with no impact on flights. The direction of flight can still be seen by the green (front) and red (rear) LED's on the Drone.

- Simply gently but firmly pull and twist any damaged propeller off the steel spindle
- Always replace like with like propellers, so A with A and B with B. Ensure it is fully inserted on to the spindle.



Flying the Forever Ready Drone

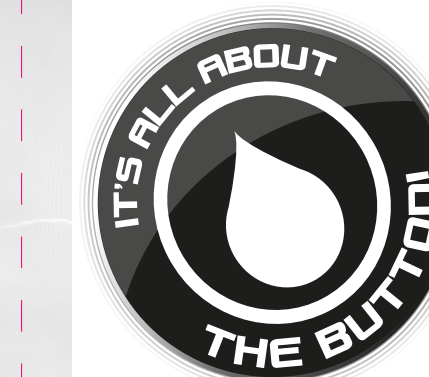
- Ensure both the handset and Drone batteries are charged
- When a charged USB Battery (10) is placed in the Drone body lights will come on - front (Green) and back (red). This will ensure even when far away the pilot knows which direction the Drone is flying
- Turn on the Handset, by pressing the Power Button (1). A short beep will be heard
- Choose speed of the Drone's flight by pressing down the Speed Button (3). Beeps can be heard, 1 for Slow, 2 for Medium and 3 for Fast speed flights. It is recommended you fly at the slowest speed setting when learning to fly the Drone
- Press the Throttle Joystick (6) up and back down again to pair the handset and Drone, a double beep will be heard
- Push the Throttle Joystick (6) up in a controlled manner and the Drone will take to the skies! Use smooth small movements for controlled flights. Control direction of the Drone with Directional Joystick (7) - forward/ back, left/right.
- Once you have mastered controlled flights, you can then perform 360 degree flips using the Juice Button (7). Once the Drone is hovering in a stable flight, press down on the Juice button and then turn the Joystick in any direction (front, back, left, right) and the Drone will flip in that direction!

Trimming the Drone

To get the best performance from the Drone it is best to trim it. Flight can be adjusted using the Trim Buttons (4 & 5). When the Throttle Joystick (6) is pushed forward the Drone should move up in the air. If it moves in any direction the flight can be adjusted by pressing the opposite trim button for example if it moves backwards adjust by pressing forwards trim button until flights are level. If the Drone moves to the left, then press the Right trim button.
 To get best performance for the Forever Ready Drone, it is important to trim it.

To adjust trimming we recommend:

- When the Drone is flying forward, push the Backward Trim (5)
- When the Drone is flying backward, push the Forward Trim (5)
- When the Drone is flying to the left side, push the Right Trim (4)
- When the Drone is flying to the right side, push the Left Trim (4)
- When the Drone is rotating to the left, push the Right Turn Trim
- When the Drone is rotating to the right side, push the Left Turn Trim



THE JUICE BUTTON ACTIVATES MULTI-DIRECTIONAL MID-AIR STUNT FLIPS



Tricks & Tips for Great Flights!

Visit Forever Ready Drone at www.txjuice.com

For the most updated instructions as well as Tips & Tricks go to: www.txjuice.com

For the most updated instructions as well as Tips & Tricks go to: www.txjuice.com

For the most updated instructions as well as Tips & Tricks go to: www.txjuice.com

For the most updated instructions as well as Tips & Tricks go to: www.txjuice.com