

CEILING FAN REMOTE CONTROLLER OPERATION AND INSTALLATION INSTRUCTIONS

(Please keep this instruction pamphlet.)

IMPORTANT

YOU MUST SET CEILING FAN MANUAL SWITCH TO HIGH SPEED
AND LIGHT KIT (IF ANY) TO ON POSITION BEFORE OPERATING
REMOTE CONTROL.

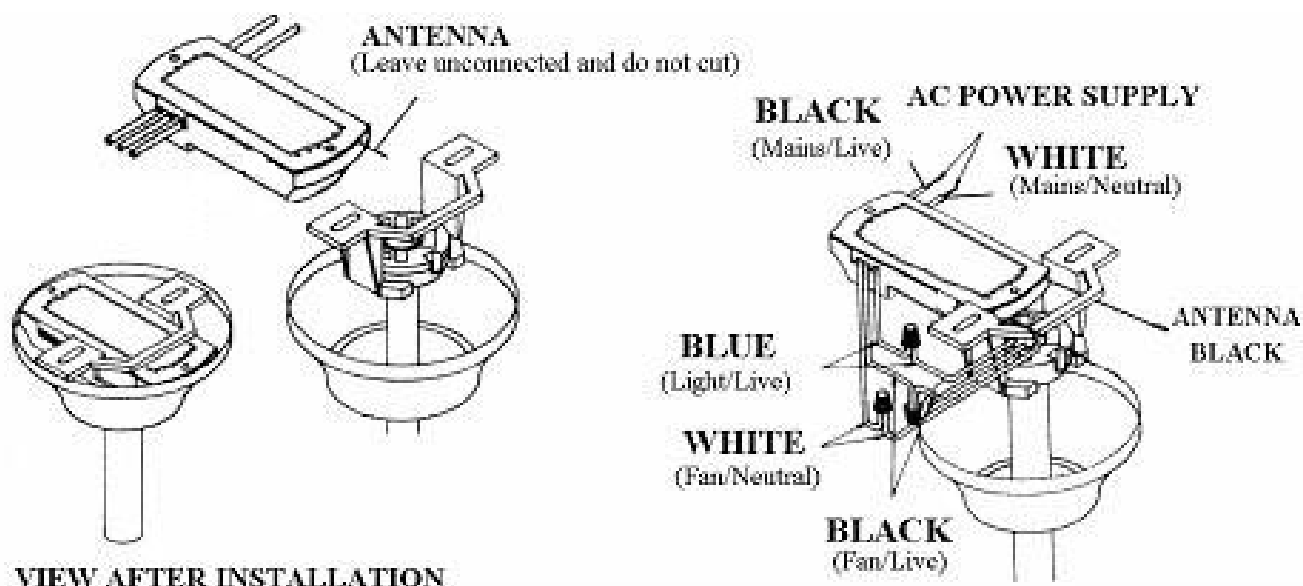
IMPORTANT POINTS TO REMEMBER:

1. Read and save these instructions.
2. Please note that all fixed wiring appliances should be installed by a qualified electrician.
3. The supply to the remote control receiver should be connected through a mains switch, i.e. existing wall switch.
4. Disconnect from power supply at wall switch before working on remote control receiver or ceiling fan.
5. Install receiver into the ceiling fan canopy of the fan to ensure proper protection.
6. This unit is to be used for the control of ceiling fan and in a AC120V 60Hz power supply only.
7. Do not install in lamp locations or immerse into water. (For indoor use only.)
8. Do not pull on or cut leads shorter.
9. Do not drop or bump the unit.
10. PLEASE NOTE: The battery will weaken with age and should be replaced before leaking takes place as this will damage the transmitter. Dispose of used battery properly, keep the battery out of reach of children.

INSTALLATION INSTRUCTIONS

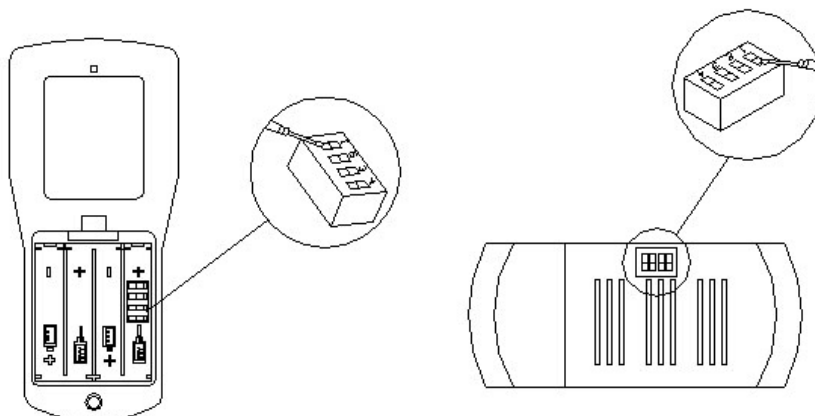
CAUTION: INCORRECT WIRE CONNECTION WOULD DAMAGE THIS RECEIVER.

1. Ceiling fan must be set at HIGH speed and light kit (If any) at ON position by pulling the "Pull Switch" after installation.
2. Once the connection has been made, the receiver inserts into the drop rod hanging bracket. The canopy comes up to cover the receiver and bracket.




CODE SWITCH

1. CODE SWITCH: Codes are set by pushing dip switches up or down. It is imperative that the code used for both transmitter and receiver is exactly the same, otherwise remote controller will not work. Please note the code switch will enable you to operate a second remote controller independently. For example, if you have two ceiling fans with 2 remote control units, set 2 different codes for each set of transmitter/receivers. This means you can operate each ceiling fan independently.




2. Your remote control is ready for use after battery installation.

FUNCTIONS OF TRANSMITTER

LIGHT  : ON/OFF- Press and release immediately to turn on or off the light.

DIMMER-Press and hold to dim or brighten lights to the desired level and release. (Only for the tungsten bulb.)

FAN  : Press immediately, turn on the fan at high, medium or low speed, or turn off the fan.

DELAY OFF: Press immediately, then light will automatically turn off after 3 minutes when the light is on. But when light is off, press the “delay”, the light will turn on and turn off after 3 minutes.

LIGHT TIMER: Press this key, then use \triangle or ∇ key to select the desired time from 0.5 ~ 24 hours, then light will turn off automatically after that time.

FAN TIMER : Press this key, then use \triangle or ∇ key to select the desired time from 0.5 ~ 24 hours, then fan will turn off automatically after that time.

FAN AUTO : Setting the fan control at manual or automatic mode. The initial setting is manual mode.


TEMP. : When FAN AUTO is auto mode, use \triangle or ∇ key to select the desired room temperature., then there is balance between the desired temperature and the actual room temperature.

-Balance $\geq 1^{\circ}\text{C}$, fan will turn on at low speed automatically.

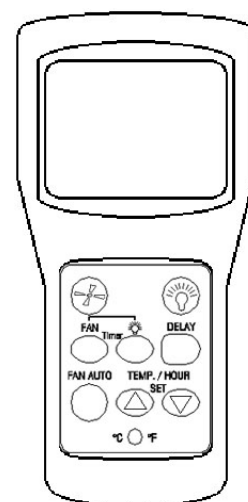
-Balance $\geq 3^{\circ}\text{C}$, fan will turn on at medium speed automatically.

-Balance $\geq 4^{\circ}\text{C}$, fan will turn on at high speed automatically.

$^{\circ}\text{C}/^{\circ}\text{F}$: Set the temperature unit at $^{\circ}\text{C}$ or $^{\circ}\text{F}$.

Note : when  is shown on the LCD, you must change new batteries because the power is shortage.

TRANSMITTER



FEDERAL COMMUNICATIONS COMMISSION INTERFERENCE STATEMENT

This equipment has been tested and found to comply with the limits for a Class B digital device, pursuant to Part 15 of the FCC Rules. These limits are designed to provide reasonable protection against harmful interference in a residential installation. This equipment generates, uses and can radiate radio frequency energy and if not installed and used in accordance with the instructions, may cause harmful interference to radio communications. However, there is no guarantee that interference will not occur in a particular installation. If this equipment does cause harmful interference to radio or television reception, which can be determined by turning the equipment off and on, the user is encouraged to try to correct the interference by one or more of the following measures:

- Reorient or relocate the receiving antenna.
- Increase the separation between the equipment and receiver.
- Connect the equipment into an outlet on a circuit different from that to which the receiver is connected.
- Consult the dealer or an experienced radio/TV technician for help.

CAUTION:

To assure continued FCC compliance:

Any changes or modifications not expressly approved by the grantee of this device could void the user's authority to operate the equipment.