

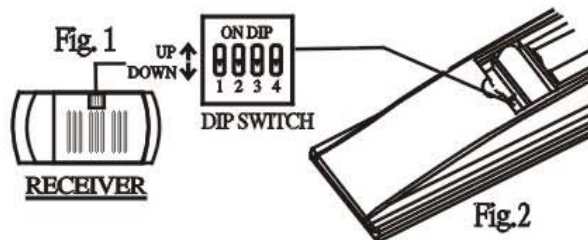
INSTALLATION AND OPERATING INSTRUCTIONS FOR CEILING FAN REMOTE CONTROLLER

NOTE: Before installing the unit, change the factory code switch setting to your own preferred setting. Be sure the code switch positions on the transmitter and receiver match each other or the unit will not function. If this unit cause interference with other appliances, you may need to select different combinations.

1. SETTING THE CODE

This unit has 16 different code combinations. To set the code, perform these steps:

- A. Setting the code on the transmitter.
 - a. Remove battery cover. Press firmly below arrow and slide battery cover off.
 - b. Slide code switches to your choice of up or down position. (Factory setting is all up). Do not use this position. Use a small screwdriver or ball point pen to slide firmly up or down (Figure 1).
 - c. Replace battery cover on transmitter.
- B. Setting the code on the receiver.
 - a. Slide code switches to the same positions as set on your transmitter (Figure 2).



2. INSTALLING RECEIVER IN CEILING FAN

A. Safety precautions:

WARNING: HIGH VOLTAGE! Household electrical power can cause serious injury or death. Disconnect source of electrical power to the ceiling fan by removing fuse or switching off circuit breaker.

Make sure all electrical connections comply with local codes or ordinances and National electrical Code. If you are unfamiliar with electrical wiring, please use a qualified and licensed electrician. Do not use with solid state ceiling fans.

Electrical source and fan must be 115/120 volts, 60Hz. Maximum fan motor amps: 1.25 and Maximum light watts: 300 Incandescent only.

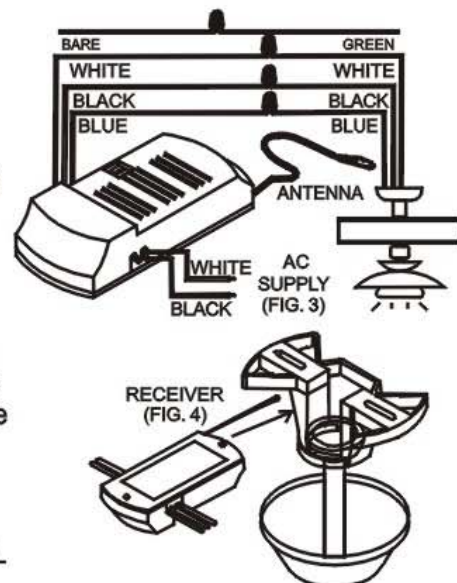
CAUTION: To reduce the risk of fire or injury, do not use this product in conjunction with any variable (rheostat) wall control.

B. Installing receiver in fan:

- a. Remove ceiling fan canopy from the mounting bracket
- b. Disconnect existing wiring between ceiling fan and supply at electrical junction box.
- c. Lay the black antenna wire on top of receiver, and put the receiver in the mounting bracket. (Figure 4).
- d. Make wiring connections as follows using the wire nuts supplied: (Figure 3).

<u>CONNECT</u>	<u>TO</u>
Green fan wire.....	Bare supply wire
Black receiver wire (AC IN L).....	Black supply wire
White receiver wire (AC IN N).....	White supply wire
White receiver wire (TO MOTOR N).	White fan wire
Black receiver wire (TO MOTOR L).	Black fan wire
Blue receiver wire (FOR LIGHT).....	Blue light wire

If other fan or supply wires are different color, have this unit installed by a qualified electrician.





- e. Push all connected wires up into junction box.
- f. Reinstall the canopy on the mounting bracket.
- g. Restore electrical power.

C. Manually set fan speed control to HIGHT via pull chain and set light to ON via pull chain.

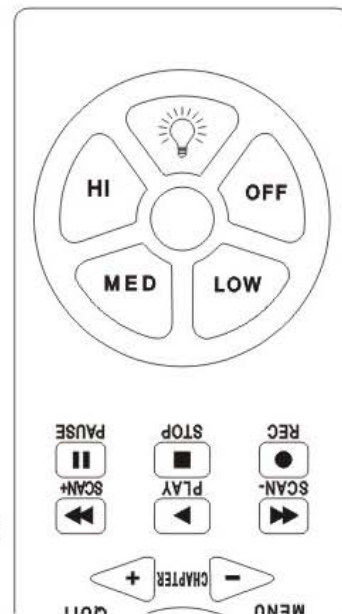
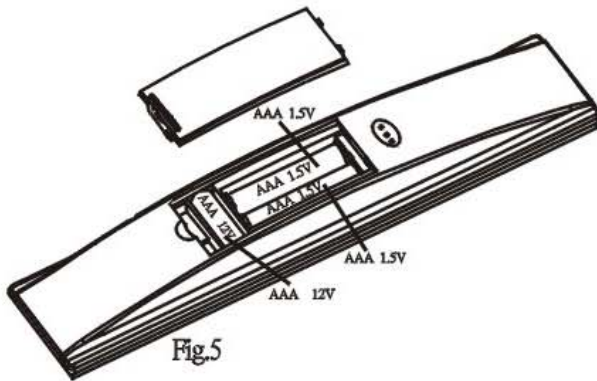
IMPORTANT: Fan speed and light control will be activated by remote if pull chain for fan and light are not set to HIGHT and ON positions.

3. OPERATING TRANSMITTER:

- A. Install the batteries(Fig.5).To prevent damage to transmitter, remove the battery if not used for long periods.
- B. Store the transmitter away from excess heat or humidity.
- C. This remote control unit is equipped with 16 code combinations to prevent possible interference from or to other remote units such as garage door openers, car alarm or security system. If you find that your fan and light kit go on and off without using your remote control, simply change the combination code in your transmitter and receiver.
- D. Operation buttons on the panel of the transmitter(Fig.6)
 - HI key for fan light speed.
 - MED key for fan medium speed.
 - LOW key for fan low speed.
 - OFF key for fan speed off.
 -  key for light on and off.

The light function is controlled by pressing the  key. Hold key down to increase or decrease light. Tap key quickly to turn light off or on. If you press the button in excess of 0.7 second it becomes a dimmer. The light varies cyclically in 0.8 second. The light key has auto resume, so will stay at the same brightness as the last time it was turned off.

YOUR REMOTE NOW HAS FULL CONTROL OF THE FAN AND LIGHT.



4. TROUBLESHOOTING GUIDE

- 1. Fails to operate:
 - a. Power to the receiver?
 - b. Receiver wired correctly?
 - c. Fan manual speed control in highest position.
 - d. Light kit switch turned on?
 - e. Fan manual speed control in highest position?
 - f. Code set at exact same position in both transmitter and receiver?
- 2. Won't operate at distance: If transmitter operates fan and light kit when up close, but not at 40 feet away, try placing the black antenna wire higher and make sure the black antenna wire is visible.

UNIVERSAL REMOTE CONTROL PROGRAMMING INSTRUCTIONS

Now you can be the master of your electronic devices with one simple to use remote control, just follow the easy programming instructions below and you will have the ultimate control of your home entertainment equipment right at your fingertips.

Step1. Install the batteries.

Step2. Program the remote control.

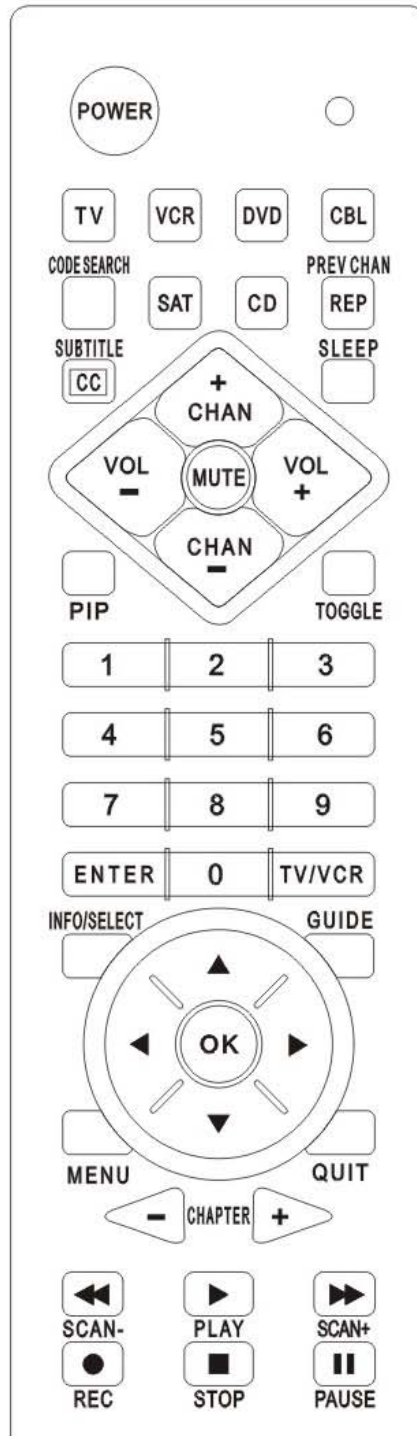
- a. Press the “Code Search” key, hold it till the red light is on and then release the “Code Search” key.
- b. Press the device key “TV” or “VCR” or others at once.
- c. Input 3 digi brand code.

Step3. Test your remote control, Press the “power” key, the device will be turned on when the code is correct. If the device was not turned on, repeat step 2 until you find the right code.

If you can not find your entertainment equipment code on the Brand code list or after having tried all the brand codes on the list, and you still can not turn on your device.

You can also use auto search mode, Procedures are as follows:

1. Press the “Code Search” key, hold it till the red light is on and then release the “Code Search” key.
2. Press the device key “TV” or “VCR” or others at once which you want to setup.
3. Then press the “Code Search” key at once, red light start to blinking, now you are in the “Auto Search” mode.
4. When TV can be turned on or off, press “Code Search” key within 1~2 seconds.
5. Now you can operate your TV.



Code List for USA Market							
Brand/Device	TV	VCR	CABLE	DVD	SAT	AUDIO	CD/LD
SEARS	002,112,206,312, 502,506,512,520, 601,612,619,704, 719,902,914	029,129,130, 226,330,426, 428,525,629, 834928,935					070,379,570 868
SEG				444			
SHARP	002,013,014,111, 502,509,712,812, 813,913,918	027,224,324, 338,631,637, 737,825		341	062	070,582, 768	070,569,570
SHERWOOD				144		272,282, 487,587	272,471,570 587,769
SHINCO				644			
SHINTOM		230,337,524, 629,936					
SHOGUN	002	425					
SHURE							670
SIERRA I II III					757		
SIGNAL			049,449				
SIGNATURE	601,701,903	324	947				
SIMPSON	402						
SINGER		130,226,230					
SL MARX			049				
SONIC	003						
SONY	202,414,708,801	034,038,138, 238,524,838, 936		541	160,963	085,180, 185,285, 381,479, 481,581, 984,985	081,372,472 681,880 933(LD)
SOUNDESIGN	002,206,402,502, 805,906						
SPECTRAVISION	921						
SPRUCER			647				
SQUAREVIEW	520						
SSS	002,805,906						
STANDARD COMPONENTS			551				
STARCHOICE					364,665		
STARCOM			348,449,747				
STARGATE			049,449				
STARLITE	906						
STAR SIGHT			653		964		
STARSIGHT CABLE SERVICE			352				

Code List for USA Market							
Brand/Device	TV	VCR	CABLE	DVD	SAT	AUDIO	CD/LD
STARQUEST			449				
STAR TRAK			253		462		
STS		130,226,629, 834			458,558, 658,758		667
SUPER GUIDE					562		
SUPREMACY	019						
SUPREME	801						
SYLVANIA	002,009,109,209, 309,402,408,502, 508,717,807,914, 917	130,324,330, 536,630,635, 726					268
SYMPHONIC	520,904,906	225,324,726					572
TANDY	918	324,428	651				
TASHIKO		525					
TATUNG	901	235					
TEAC		235,324,726		042,545		187,287, 382,387, 672	269,287,570 571,572,672 772
TECHNICS	007,107	035,130,226				088,183, 682,780, 983,987	273,683,887 974
TECHWOOD	002,007,107,502						
TEKNIKA	002,019,102,112, 206,209,402,407, 502,512,601,618, 701,805,902,906	130,134,226, 324,525,726					
TELECATION	313						
TELERENT	601,701						
TELEVIEW			049				
TELEWEST			854				
TERA	002,220						
TEXSCAN			551				
THETA DIGITAL				042,545			774
THOMSON					063		
TIVo		738,838					
TMK	002,502						
TOCOM			048,751,952				
TOSHIBA	112,313,413,419, 506,510,512,517, 613,902	029,330,433, 625,629,630, 735	250	245,411	858		773
TOSHIBA DSS					064,164, 764		

Code List for USA Market							
Brand/Device	TV	VCR	CABLE	DVD	SAT	AUDIO	CD/LD
TUSA			449				
TOTEVISION		425,525					
TMK		425,526,828					
TV86			350				
UNIDEN					762,958		
UNIDEN DSS					964		
UNIKA			448,548,748				
UNITECH		425					
UNITED ARTISTS			847				
UNITED CABLE			747				
UNIVERSAL	310,806		448,548,648, 748,851				
VECTOR RESEARCH		025,436,625, 725					
VENTURER						176	
VICTOR	607	436					869
VIDEO CONCEPTS		025,027,436, 625,725					
VIDEOSONIC		425					
VIDEOWAY			052				
VIDEO CIPHER II					059		
VIDEO TECH			656				
VIDTECH	002,102,502						
VIEWSTAR			149,150,350, 651				
VIKING	019						
WARDS	002,004,009,102, 109,111,206,209, 310,408,502,508, 513,601,701,704, 806,807,914	027,130,224, 226,230,234, 324,425,426, 525,625,629, 631,726,735, 834					
WHARFEDALE				845			
WHITE WESTINGHOUSE	311,611	324,924					
XR-1000		130,226,230, 726					

Code List for USA Market							
Brand/Device	TV	VCR	CABLE	DVD	SAT	AUDIO	CD/LD
YAMAHA	002,102,502,914	025,235,428, 436		641,643		286,386, 485,486, 586,685, 781,785, 881	074,168,286 872,972
YAMAKAWA				445			
ZENITH	002,008,115,215, 405,407,507,601, 701,713,903,916	030,036,125, 326,436,437, 524,525,534, 632,638,729, 824,925,929, 936	054,154,250, 353,354,450, 553,653,753, 853,951,953, 954	142,241, 345	059,065, 163,165, 266,360, 857,957	080,083, 178,269, 278,576, 577,674, 686	080,269,577 674,686 824(LD)

FEDERAL COMMUNICATIONS COMMISSION INTERFERENCE STATEMENT

This equipment has been tested and found to comply with the limits for a Class B digital device, pursuant to Part 15 of the FCC Rules. These limits are designed to provide reasonable protection against harmful interference in a residential installation. This equipment generates, uses and can radiate radio frequency energy and, if not installed and used in accordance with the instructions, may cause harmful interference to radio communications. However, there is no guarantee that interference will not occur in a particular installation. If this equipment does cause harmful interference to radio or television reception, which can be determined by turning the equipment off and on, the user is encouraged to try to correct the interference by one or more of the following measures:

- Reorient or relocate the receiving antenna.
- Increase the separation between the equipment and receiver.
- Connect the equipment into an outlet on a circuit different from that to which the receiver is connected.
- Consult the dealer or an experienced radio/TV technician for help.

CAUTION:

To assure continued FCC compliance:

Any changes or modifications not expressly approved by the grantee of this device could void the user's authority to operate the equipment.