

TRANSMITTER OPERATION AND INSTALLATION INSTRUCTIONS

(Please keep this instruction pamphlet.)

IMPORTANT

YOU MUST SET CEILING FAN MANUAL SWITCH TO HIGH SPEED LIGHT KIT ON POSITION BEFORE OPERATING REMOTE CONTROL.

IMPORTANT POINTS TO REMEMBER:

1. Read and save these instructions.
2. Please note that all fixed wiring appliances should be installed by a qualified electrician.
3. The supply to the remote control receiver should be connected through a mains switch.
4. Disconnect from power supply at switch before working on remote control receiver or ceiling fan.
5. Install receiver into the ceiling fan canopy of the fan to ensure proper protection.
6. This unit is to be used for the control of ceiling fan and in an AC110/120V 60Hz power supply only.
7. Do not install in wee locations or immerse in water.
8. Do not pull on or cut leads shorter.
9. Do not drop or bump the unit.
10. PLEASE NOTE: The battery will weaken with age and should be replaced before leaking takes place as this will damage the transmitter. Dispose of used battery properly, keep the battery out of reach of children.
11. CAUTION: To reduce the risk of fire or injury, do not use this product in conjunction with any variable (rheostat) wall control.

INSTALLATION INSTRUCTIONS

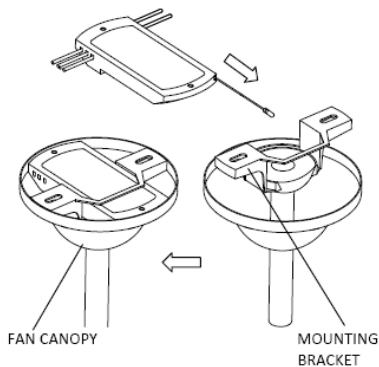
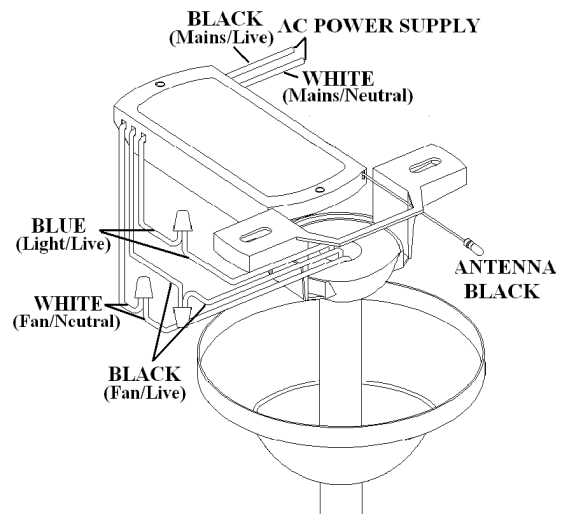

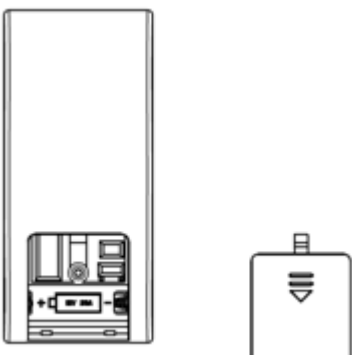


FIG 1
INSERTING RECEIVER
INTO CANOPY ASSEMBLY




ACTIVATING THE LEARNING PROCESS


The learning key  where you could find after black cover pick up, touch it for 3 seconds as soon as the receiver power on within 30 second, ID learning process started.



FUNCTIONS OF WALL CONTROL

• • • INDICATION LED LIGHT

 FAN key with function **off**


 fan key with function speed down/up ,

LED indicate for fan speed

NO.1 fan speed on LOW : 1


NO. 2 fan speed on MIDDLE : 2


NO. 3 fan speed on HIGH: 3

 1hr : Setting up that the ceiling fan will turn off after 1 hour automatically,

3hr : Setting up that the ceiling fan will turn off after 3 hours automatically.

6hr : Setting up that the ceiling fan will turn off after 6 hours automatically.

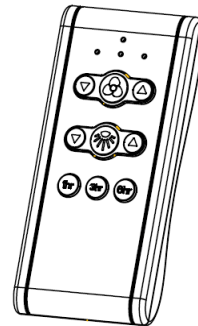
The ON/OFF/DIMMER  where you could find after black cover pick up. the key could be turn right and left. when the key was turn left to "O", the light function only with on/off. When the key was turn right to "D", the light function should be on/off/dimmer function.

 light key function with down/up

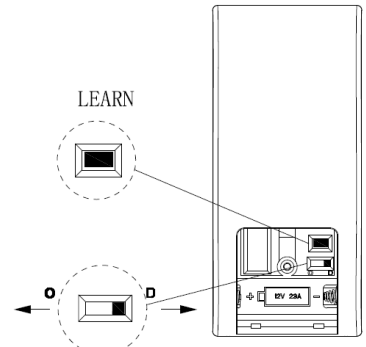
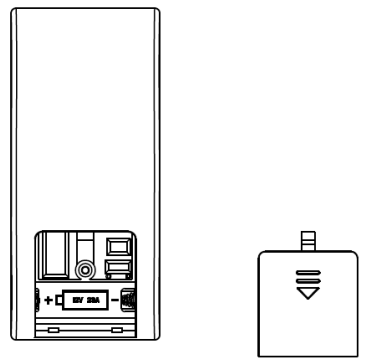
 light key function with on and off

Installing Wall Control (TRANSMITTER):

Wall Mount Holder with two screws.



TR233A



To assure continued FCC compliance:

FEDERAL COMMUNICATIONS COMMISSION INTERFERENCE STATEMENT

This equipment has been tested and found to comply with the limits for a Class B digital device, pursuant to Part 15 of the FCC Rules. These limits are designed to provide reasonable protection against harmful interference in a residential installation. This equipment generates, uses and can radiate radio frequency energy and, if not installed and used in accordance with the instructions, may cause harmful interference to radio communications. However, there is no guarantee that interference will not occur in a particular installation. If this equipment does cause harmful interference to radio or television reception, which can be determined by turning the equipment off and on, the user is encouraged to try to correct the interference by one or more of the following measures:

--Reorient or relocate the receiving antenna. --Increase the separation between the equipment and receiver. --Connect the equipment into an outlet on a circuit different from that to which the receiver is connected. --Consult the dealer or an experienced radio/TV technician for help.

CAUTION:

Any changes or modifications not expressly approved by the grantee of this device could void the user's authority to operate the equipment.

FCC ID:

This device complies with Part 15 of the FCC Rules. Operation is subject to the following two conditions: (1) This device may not cause harmful interference, and (2) this device must accept any interference received, including interference that may cause undesired operation.