

Ripwave™ Modem Quick Installation Guide

The following instructions are for the experienced user as a quick setup guide for the Ripwave unit. For more details on installation of the Ripwave unit and software, see the [Ripwave Modem User Guide](#).

Hardware Installation

1. Turn the computer off before installation. Connect the USB or Ethernet straight cable to the unit and to the corresponding port on the PC.



USB Cable



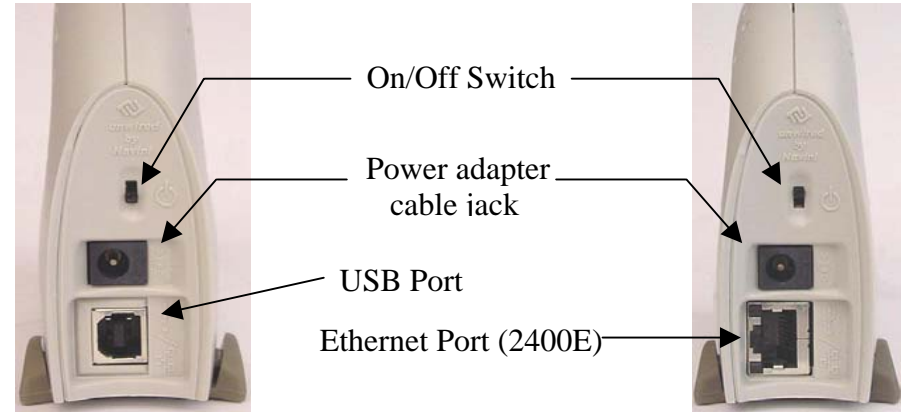
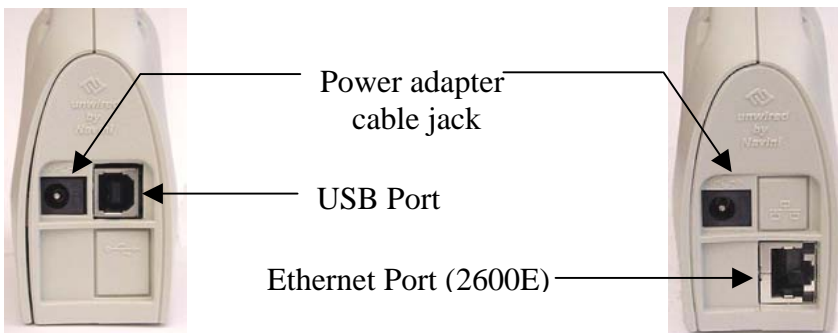
Ethernet Cable

2. Connect the AC power adapter to the Ripwave unit and to a 110 VAC outlet.



AC power adapter

3. Rotate the antenna clockwise to the **UP** position.
4. Push the On/Off switch on the Ripwave unit to turn the unit **ON**. The lower indicator light on the Ripwave unit illuminates green.



5. Set the power switch on the computer to the **ON** position. When the system is up, log in to the computer.

Note: For Windows NT® and Windows® 2000, you must be logged into an account having administrative privileges to install the Ripwave Modem and its software.

6. For an Ethernet connection, go to the **Navini Monitoring Software Installation** section. For a USB connection, Plug and Play will detect the new hardware – click **Next** in the Add New Hardware Wizard dialog box, and continue on with the hardware installation.
7. Insert the Navini Networks Ripwave Installation CD in the CD-ROM drive.
8. Follow the instructions for the ‘Add New Hardware Wizard’ to install the device driver for the Ripwave Modem.
9. Select the ‘CD-ROM drive’ checkbox. Click **Next** to continue.
10. Restart the computer, and proceed to the **Navini Monitoring Software Installation**.

Note: Navini Monitor & Ripwave Monitor refer to the same software.

Navini Monitoring Software Installation

1. Navini Networks offers two types of monitoring software: Navini Ripwave Monitor and Navini Diagnostics Tool. The Navini Ripwave Monitor is available with software releases *prior* to Release 4 while the Navini Diagnostics Tool is available with a software release of 4 or greater. Before installing either the Navini Monitor or Navini Diagnostics software, shut down all programs. This includes all anti-virus software.
2. Insert the Navini Networks Ripwave Installation CD in the CD-ROM drive.
3. Click **Start > Run** from the menu at the bottom left corner of your screen. In the **Run** window, enter e:\setup (where “e” represents the CD drive; use the letter representing your specific CD drive) in the Open field. Click **OK**.
4. Follow the instructions given by the Navini Monitor Installation Wizard or the Navini Diagnostics Installation Wizard to install the monitoring software.
5. Restart the computer. When the system is up, log in to the computer and open the Web browser.
6. LET IT RIP...BEGIN SURFING THE INTERNET!

Ripwave™ Modem Quick Installation Guide

