



Quick Start Guide



REVIEW DRAFT—CISCO CONFIDENTIAL

Cisco Small Business Pro SA520, SA520W, and SA540 Security Appliances

Package Contents

- SA5XX Series Security Appliance
- Mounting Hardware
- Rubber Feet for Desktop Mounting
- Quick Start Guide
- SA5XX Series CD

1 Product Overview

Thank you for choosing the Cisco Small Business Pro SA5XX Series security appliance. The SA5XX series is a family of three security appliances designed to provide enterprise grade security gateway solutions with VPN support, with 802.11n Access Point capabilities Not (supported on all models). These devices allow you to easily setup VPN tunnels and quickly connect to wireless 11n clients through secure or open links. The GUI provides all the capabilities for novice and advanced users to administer this secure and stable security appliance.

This guide is designed to familiarize you with the general layout of the device, and how to begin installing them in a standard configuration. Your particular model may not have all of the features or functionality described in this guide. For more detailed information on the individual security appliance, see the *SA5XX Series Administration Guide*.

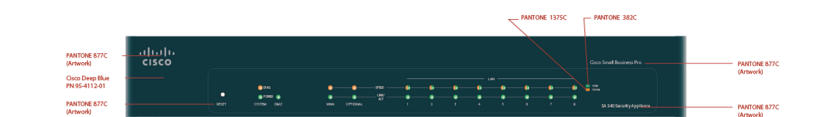
Front Panel

The LEDs and Status Indicators are located on the front panel of the security appliance.

SA-520 Front Panel



SA-540 Front Panel



RESET—Push the Reset button to reboot the device. Press and hold for 5 seconds to restore the factory default settings.

SYSTEM

- DIAG**—When lit, indicates that the appliance is booting. When off, the appliance has booted properly.

POWER—(Green) This LED lights up and remains lit when the appliance is powered on.

DMZ—(Green) This LED lights up and remains lit when the the optional port is configured as DMZ.

WAN—(Green or Orange) This LED indicates either 100Mbps or 1000Mbps speed on the WAN port.

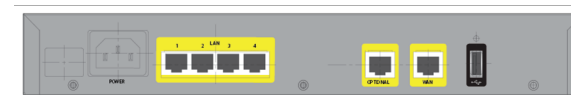
WLAN—(Green) This LED indicates Wireless status. There is one LED for one for 2.4GHz mode and one for the other one for 5GHz mode.

LAN Ports 1-4—The security appliance is equipped with auto-sensing, Ethernet (802.3) network ports, which use RJ-45 connectors. The Fast Ethernet ports support network speeds of 10 Mbps, 100 Mbps, or 1000 Mbps. Each Green LED lights up when a connection is made through its corresponding port. It flashes when the corresponding port is active. Each Orange LED lights up when a high speed (1000Mbps) connection is made through its corresponding port. It flashes when the corresponding port is active.

Back Panel

The back panel is where you will connect the security appliance to power, LAN Ports, the WAN.A USB port is also available.

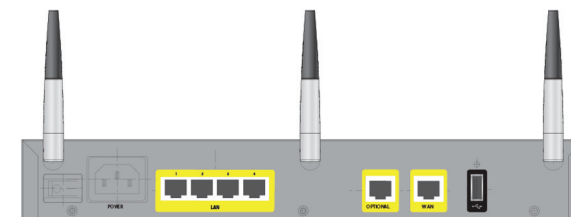
SA-520 Back Panel



SA-540 Back Panel



SA-520W Back Panel



POWER—The power port is where you will connect the security appliance to power using the supplied cable.

OPTIONAL—The OPTIONAL port is where you will connect the security appliance to the WAN/LAN/DMZ port.

WAN—The WAN port is where you will connect the security appliance to uplink devices using an RJ-45 cable.

POWER SWITCH—Use this switch to power the security appliance on or off.

USB—The USB port is where you will connect the security appliance to a USB device.

Side Panels

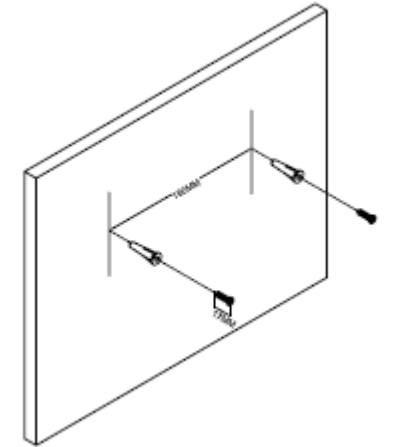
The side panels have holes for attaching mounting brackets. See the Placement Options section for details.

2 Placement Options

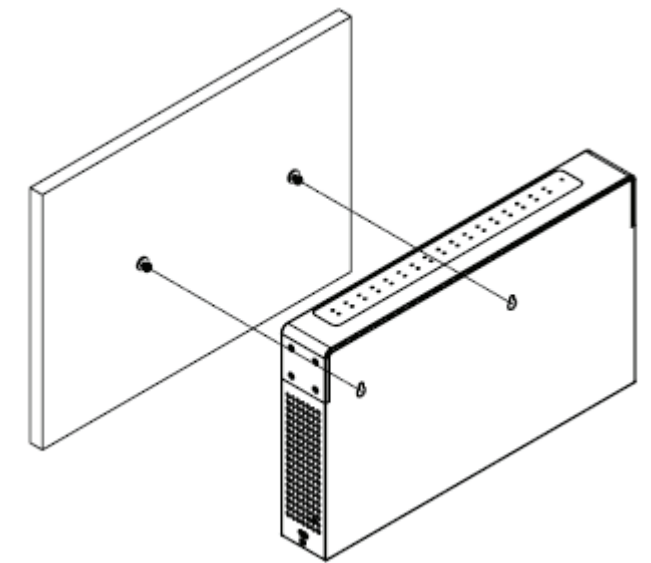
The security appliance can be placed on a desktop, a rack, or mounted on a wall. If you choose the desktop option, install the four rubber feet (included) on the bottom of the security appliance.

Wall Mount with Mounting Screws

STEP 1 Insert two 17 mm screws, with anchors, into the wall 150 mm apart.



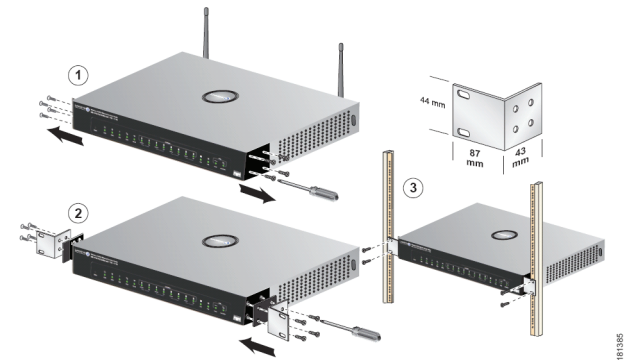
STEP 2 Position the unit so that the wall-mount slots are over the two screws. Slide the unit down until the screws fit snugly into the wall-mount slots.



Rack Mount Instruction Tips

- **Ambient Temperature**—To prevent the security appliance from overheating, do not operate the security appliance in an area that exceeds an ambient temperature of 104 degrees (40 C).
- **Size**—The security appliance can be mounted in any standard size, 19-inch wide rack. Each security appliance requires 1RU of space.
- **Reduced Air Flow**—If you install the security appliance in a rack, be sure that there is adequate air flow as required.
- **Mechanical Loading**—Be sure that the security appliance is level and stable when you mount the security appliance in a rack to avoid any hazardous condition.
- **Circuit Overloading**—Do not overload the power outlet or circuit when installing multiple devices in a rack.
- **Reliable Grounding**—Be sure that the security appliance is grounded and use suitable electrical supply connections.

To use the rack-mount option, refer to the graphic and follow these instructions:



- STEP 1** Remove the four screws from each side of the security appliance. Retain the screws for re-installation.
- STEP 2** Place one of the supplied spacers on the side of the Ethernet security appliance so the four holes align to the screw holes.
- STEP 3** Place a rack mount bracket next to the spacer and reinstall the four screws removed in step 1.

NOTE If your screws are not long enough to reattach the bracket with the spacer in place, attach the bracket directly to the case without the spacer.

- STEP 4** Using the supplied hardware, screw the mounting brackets into place on both sides of the security appliance as shown.
- STEP 5** After the mounting hardware has been securely attached, the security appliance is now ready to be installed into a standard 19-inch rack as shown.

Americas Headquarters
 Cisco Systems, Inc.
 170 West Tasman Drive
 San Jose, CA 95134-1706
 USA
<http://www.cisco.com>
 Tel: 408 526-4000
 800 553-NETS (6387)
 Fax: 408 527-0883



Cisco, Cisco Systems, the Cisco logo, and the Cisco Systems logo are registered trademarks or trademarks of Cisco Systems, Inc. and/or its affiliates in the United States and certain other countries. All other trademarks mentioned in this document or Website are the property of their respective owners. The use of the word partner does not imply a partnership relationship between Cisco and any other company. (0705R)
 78-xxxx-xx

3 Installation

Perform the steps in this section to install the hardware.

- STEP 1** Connect the supplied power cord to an electrical outlet.
- STEP 2** For end user devices, connect an Ethernet network cable to one of the numbered ports on the security appliance. Connect the other end to a computer or other network device.
- STEP 3** For uplink devices, connect an Ethernet network cable to the WAN port on the security appliance.

NOTE Cisco strongly recommends using Cat5e or better cable.

- STEP 4** Power on the devices connected to the security appliance. Each active port's corresponding LED will light up on the security appliance.
- Congratulations! The installation of the security appliance is complete!

4 Configuring the Security Appliance

This section contains information for starting the configuration utility.
 To start configuring the security appliance, follow these steps:

- STEP 1** Open a web browser.
- STEP 2** Enter the device's IP address in the address bar and press **Enter**. The *Enter Network Password Page* opens:
- STEP 3** Enter a user name and password. The default user name and password are *cisco/cisco*. Passwords are both case sensitive and alpha-numeric.

STEP 4 Click **Login**. The *Configuration Utility* Page opens.
 Details about configuring the security appliance are found in the *SA5XX Series Administration Guide*.

5 Specifications

Item	Specification
Standards	IEEE 802.3, 802.3u, 802.3x, 802.3ab
Ports	SA520: 4x RJ-45 1Gbps ports, 1x WAN, 1x optional for LAN/WAN/DMZ SA520W: 4x RJ-45 1Gbps ports, 1x WAN, 1x optional for LAN/WAN/DMZ SA540: 8x RJ-45 1Gbps ports, 1x WAN, 1x optional for LAN/WAN/DMZ
Cabling Type	Cat5 Ethernet
LEDs	Power, LINK/ACT 1-4 for SA520, SA520W. 1-8 for SA540.
Security Feature	Security Slot
Dimensions	12.1" x 7.08" x 1.73" (308 mm x 180 mm x 44 mm)
Unit Weight	3.03 lbs. (1.376kg)
Power	AC 90V~264V
Certification	FCC/IC (USA/Canada) EMI: Part 15B/ICES-003 FCC (USA) ; Wireless, Part 15C IC (Canada) ; Wireless, RSS-210 UL/cUL (USA/Canada) Safety: UL 60950-1 CE (Europe) EMI EN 55022, EN 55024, EN 60950-1 CE (Europe) ; Wireless, EN 301 489 -1 & -17 , EN300 328 Frequency Authority for 28 Country C-tick (Australia and New Zealand) AS/NZS CISPR22 CB (worldwide) IEC6090-1

Operating Temperature	0°C to 40°C (32°F to 104°F)
Storage Temperature	-20°C to 70°C (-4°F to 158°F)
Operating Humidity	10 to 90%, relative humidity, Non-Condensing
Storage Humidity	5% to 90% Non-Condensing

6 Where to Go From Here

Resource	Location
Technical Documentation	www.cisco.com/en/US/products/ps#####/prod_maintenance_guides_list.html
Customer Support	www.cisco.com/en/US/support/tsd_cisco_small_business_support_center_contacts.html
Warranty and End User License Agreement	www.cisco.com/go/warranty
Open Source License Notices	www.cisco.com/go/osln
Regulatory Compliance and Safety Information	www.cisco.com/en/US/products/ps#####/prod_maintenance_guides_list.html
Cisco Partner Central site for Small Business	www.cisco.com/web/partners/sell/smb/