

# INSTRUCTION MANUAL OF UGZZ8-X01

## 1. BLUETOOTH MODULE SPECIFICATION

### 1-1. PRODUCT NAME

UGZZ8-X01

### 1-2. MANUFACTURER

ALPS ELECTRIC

### 1-3. FEATURES

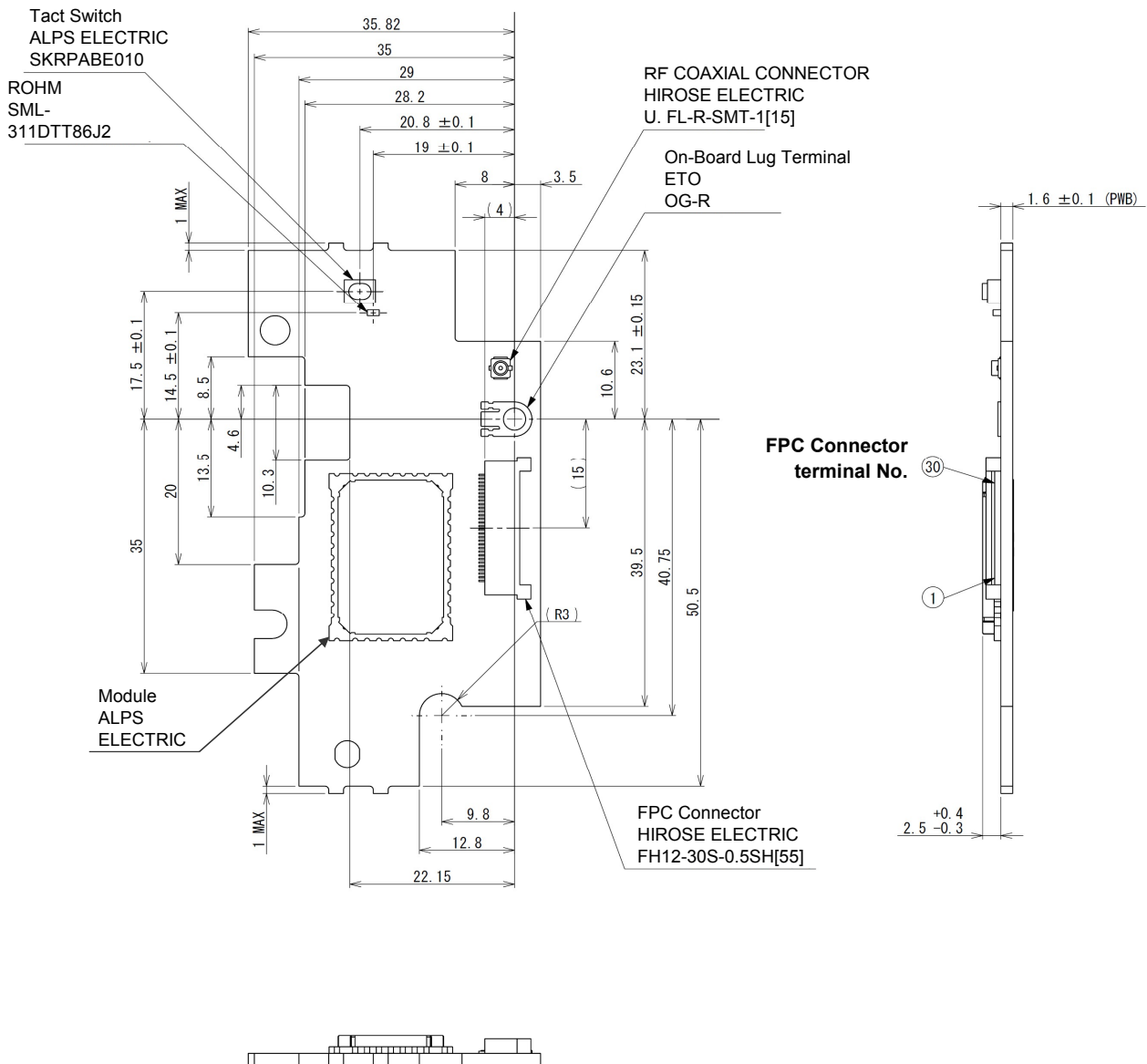
- Bluetooth™ Specification V2.0+EDR support
- Complete type of Bluetooth module, built-in various profile
- Built-in Link controller, Link Manager Protocol
- Output Power class2 compliant
- Type with a chip antenna
- Full custom package with pwb can be fit to only navigation products made by Clarion
- Built-in Flash memory(16Mbit), system clock 26MHz(OSC)
- B to B connector interface

### 1-4. SPECIFICATION

#### 1-4-1. MECHANICAL SPECIFICATION

##### 1-4-1-1. EXTERNAL DIMENSIONS

Refer to the following page.



1-4-1-2. MASS  
 10.17 [g] (Typ.)

1-4-2. ELECTRIC SPECIFICATION

1-4-2-1. POWER-SUPPLY-VOLTAGE  
 DC +3.1 to +3.6 [V]

1-4-2-2. TEMPERATURE RANGE  
 -40 to +85 [degree C]

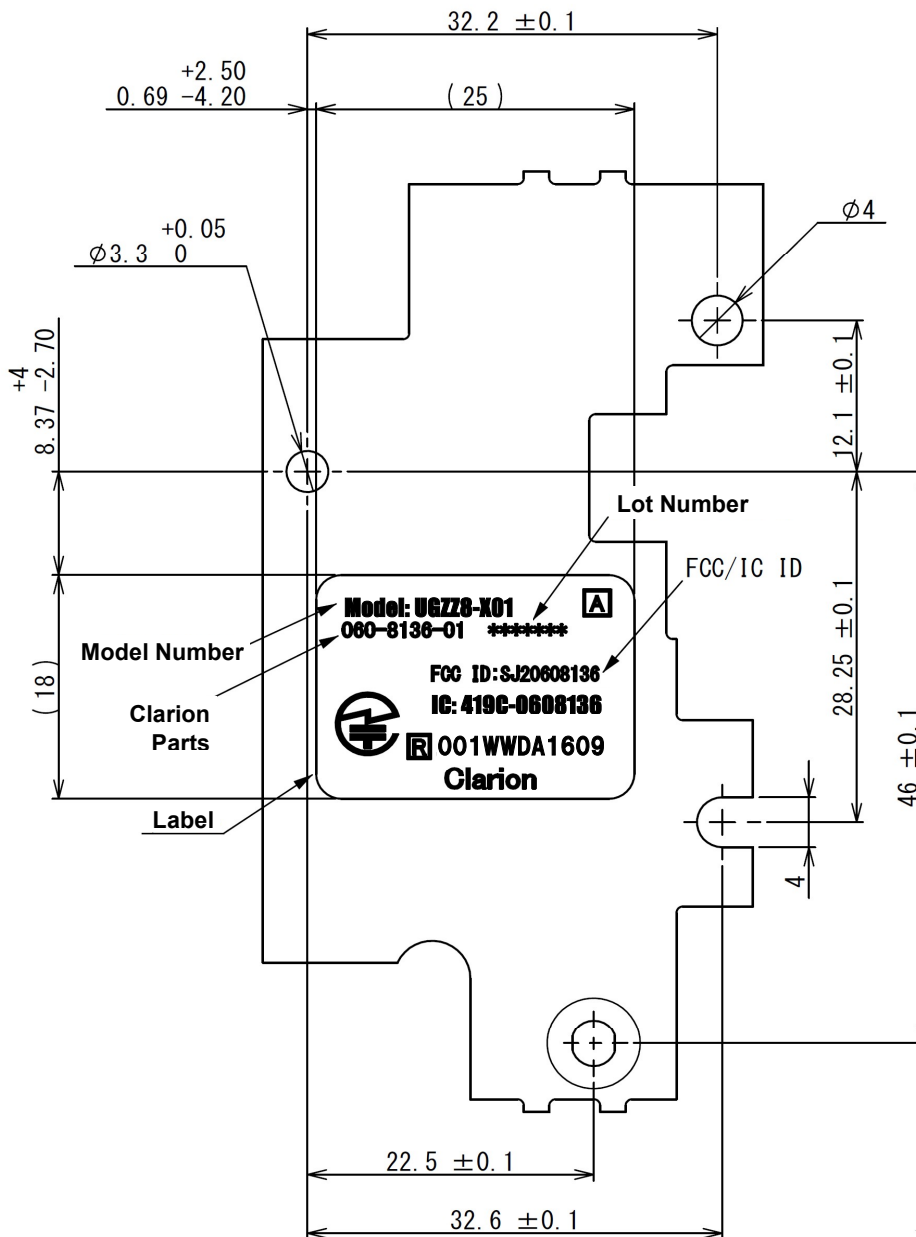
1-4-3. RF SPECIFICATION

1-4-3-1. NORMAL TRANSMIT POWER(AVERAGED POWER)  
 -6 to +4 [dBm]

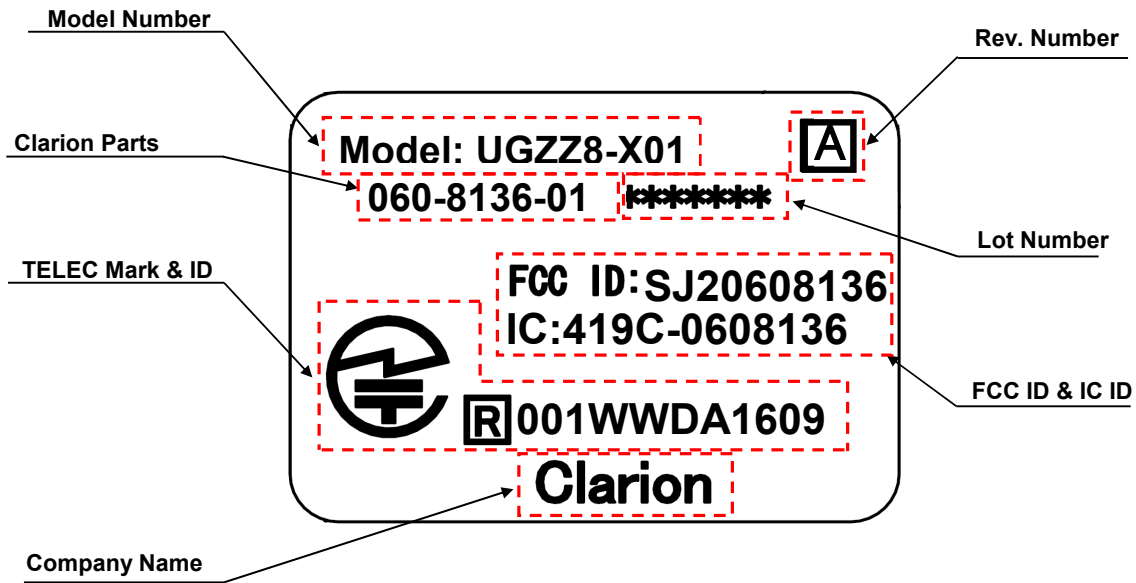
1-4-3-2. REFERENCE SENSITIVITY LEVEL(BER=0.001%)  
 MAX. -70 [dBm]

**1-5. LABEL INFORMATION**

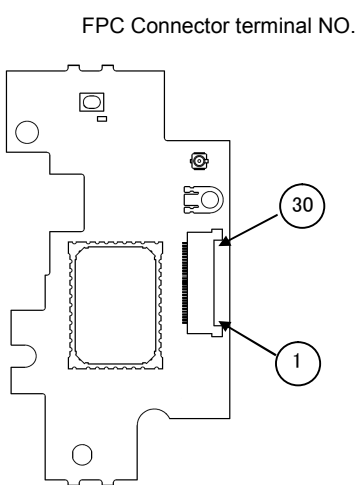
1-5-1. LABEL LAYOUT



1-5-2. CONTENTS OF LABEL

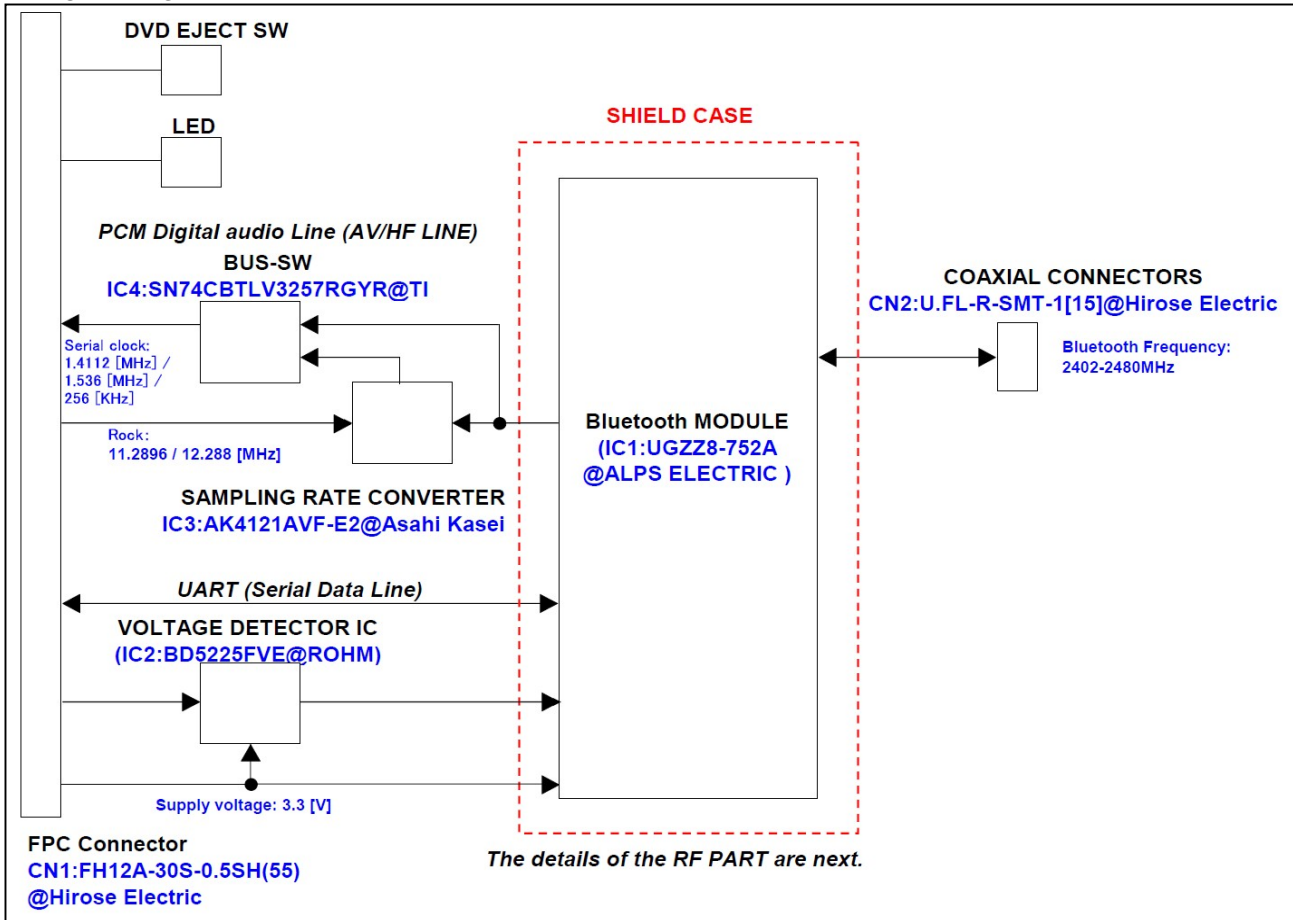


1-6. CONNECTOR PIN ASSIGNMENT



NO.	PIN NAME	NO.	DESCRIPTION
1	GND	-	Ground
2	GND	-	Ground
3	PIO[0] (PTB1)	O	AV Master Clock Select(44.1kHz=Low, 48kHz=High)
4	PIO[2] (PTE5)	O	PCM Mute
5	PIO[1] (PTE0)	O	PCM_Reset(Active Low), DAC PwrDown(PwrDown Enable=Low)
6	NC	-	NC
7	NC	-	NC
8	NC	-	NC
9	GND	-	Ground
10	PCM_CLK	O	Audio Clock
11	PCM_SYNC	O	Audio Clock
12	PCM_IN	I	AV/HF Input
13	PCM_OUT	O	Audio Clock
14	CLK11/12M	I	AV Master clock Input
15	GND	-	Ground
16	UART_RTS	O	UART_RTS
17	UART_CTS	I	UART_CTS
18	UART_TX	O	UART_TX
19	UART_RX	I	UART_RX
20	GND	-	Ground
21	GND	-	Ground
22	GND	-	Ground
23	GND	-	Ground
24	ILL-	I	LED Signal
25	ILL+	I	LED Signal
26	DVD_EJECT	O	DISC Eject Signal
27	RST#	I	Reset (Active Low )
28	NC	-	NC
29	VCC	I	Power Supply 3.3V
30	VCC	I	Power Supply 3.3V

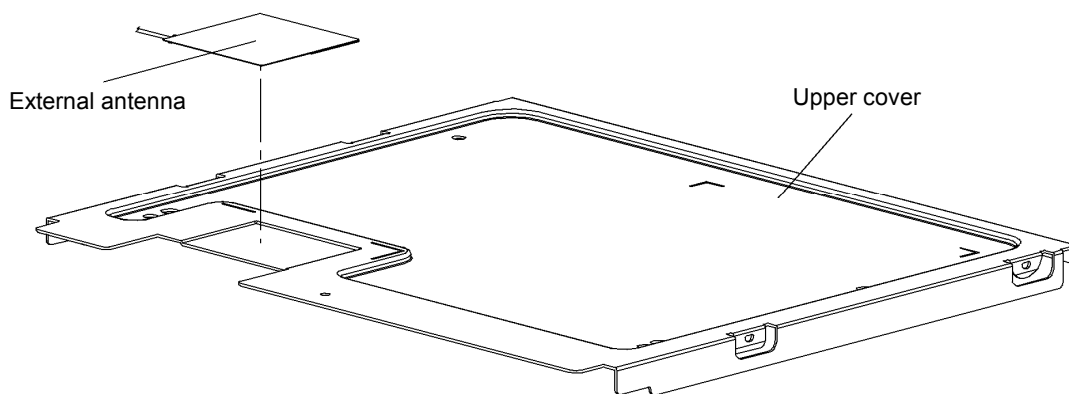
1-7. BLOCK DIAGRAM



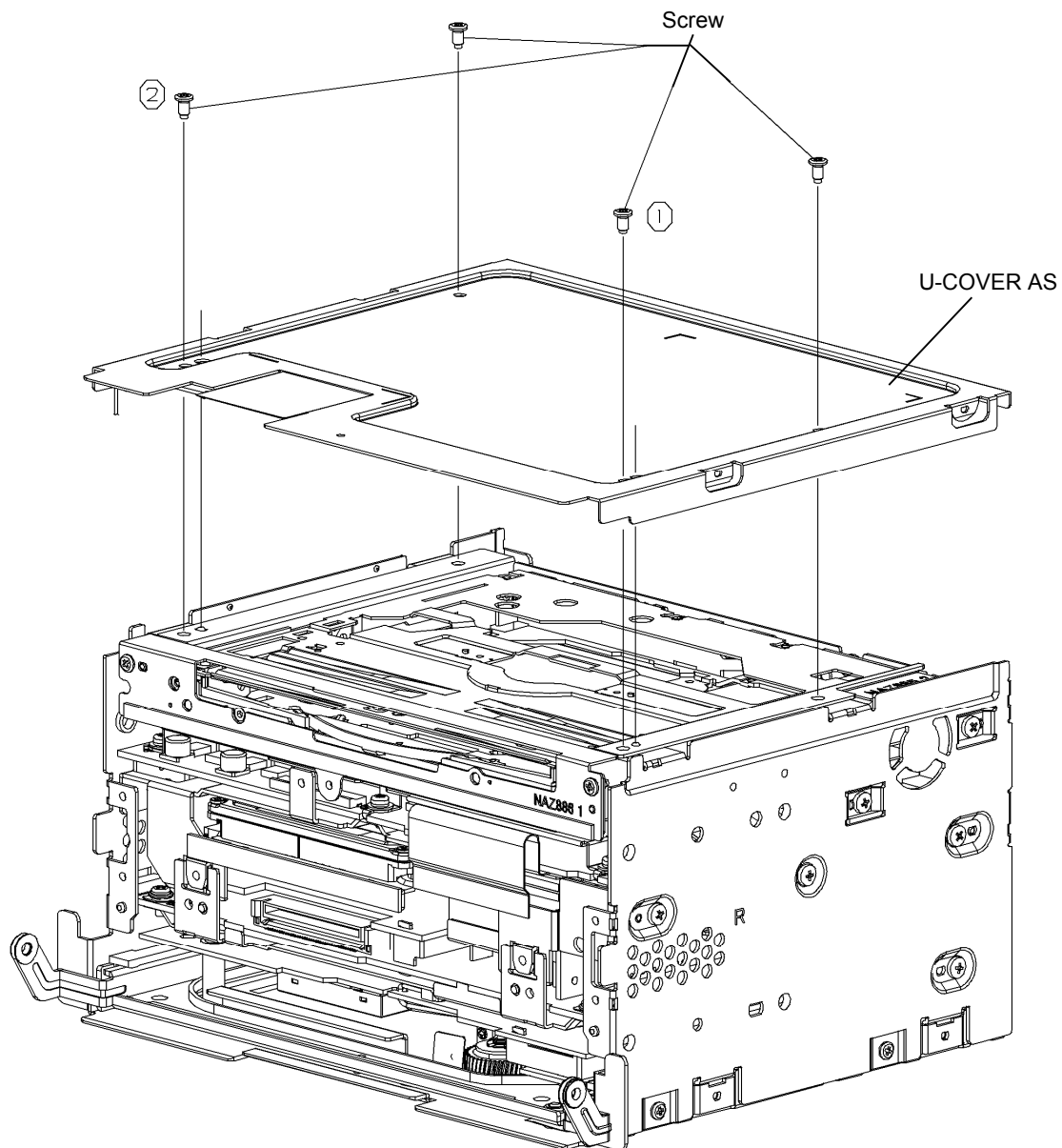
2. PROCEDURE TO BUILD IN

2-1. PROCEDURE FOR EXTERNAL ANTENNA

- (1) Install External antenna to Upper cover (U-COVER AS)



(2) Install U-COVER AS to Navigation unit

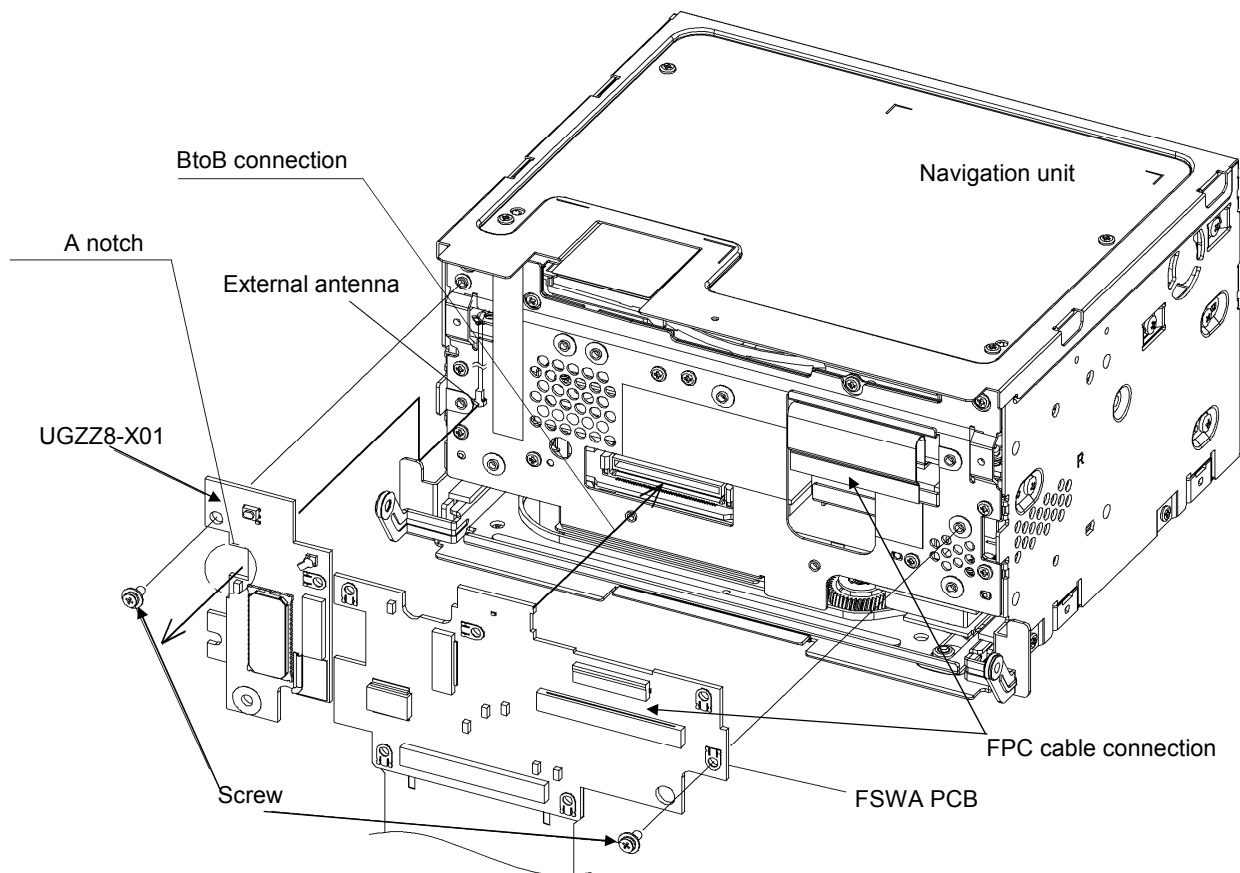


1) Be careful so that a cable is not tucking

2) Tighten up a screw in order of one to two ( In addition, it is random order )

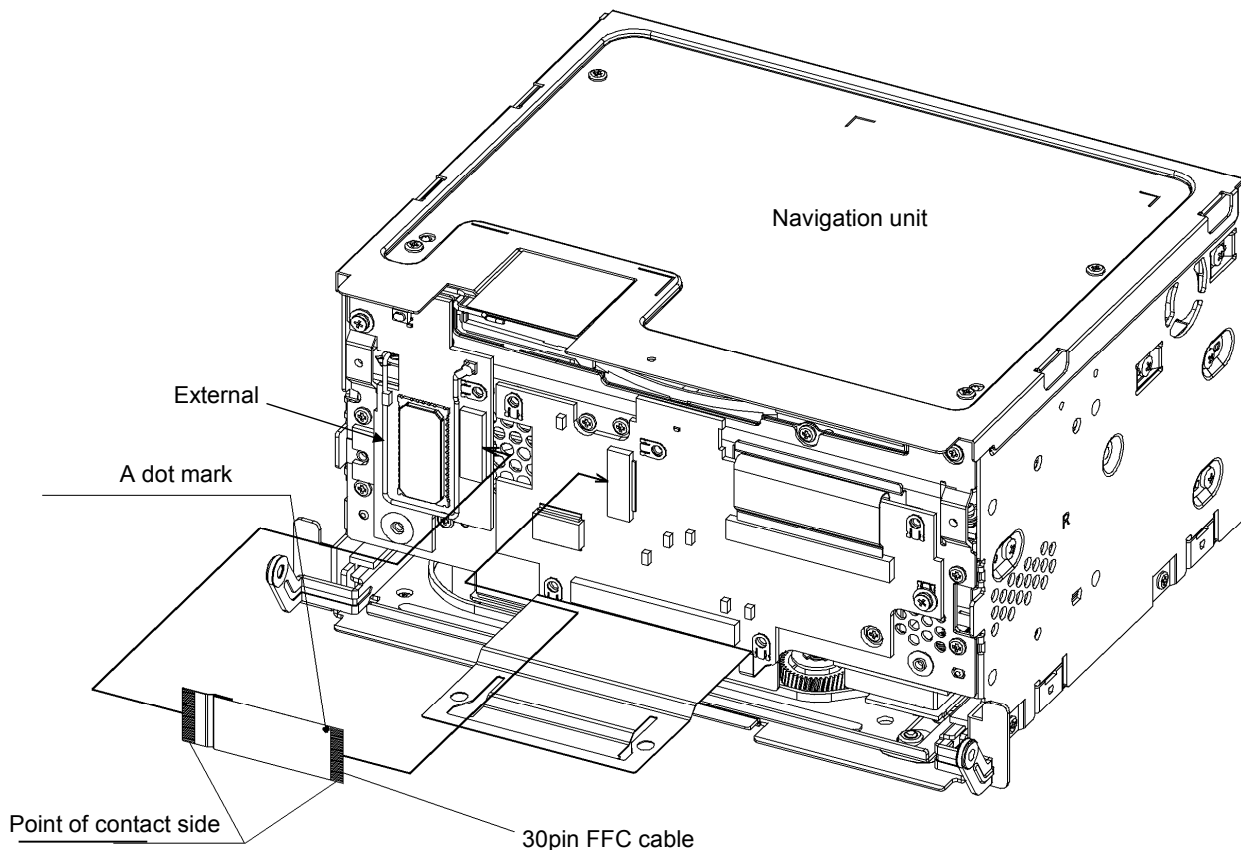
## 2-2. PROCEDURE FOR UGZZ8-X01

(1) Install UGZZ8-X01 to Navigation unit



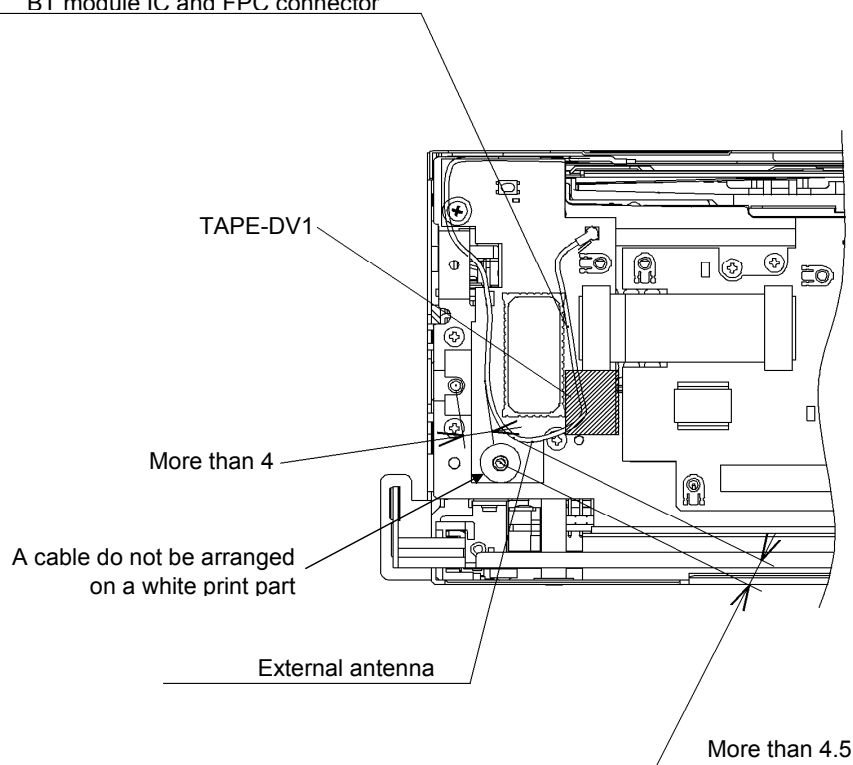
- 1) Install UGZZ8-X01 with a screw  
※Take out an external antenna from a notch part
- 2) Install FSWA with a screw
- 3) Connected FSWA in order of 40pin-FFC cable, 80pin-FFC cable  
※firmly-lock the FFC connector

- (2) Connect External antenna to UGZZ8-X01, FPC cable connection between UGZZ8-X01 and FSWA PCB  
1) Connect the dot mark side to FSWA PCB  
※firmly-lock the FFC connector



- 2) connect a cable as follows. After placement, fix it in TAPE-DV1.

Arrange a cable between  
BT module IC and FPC connector

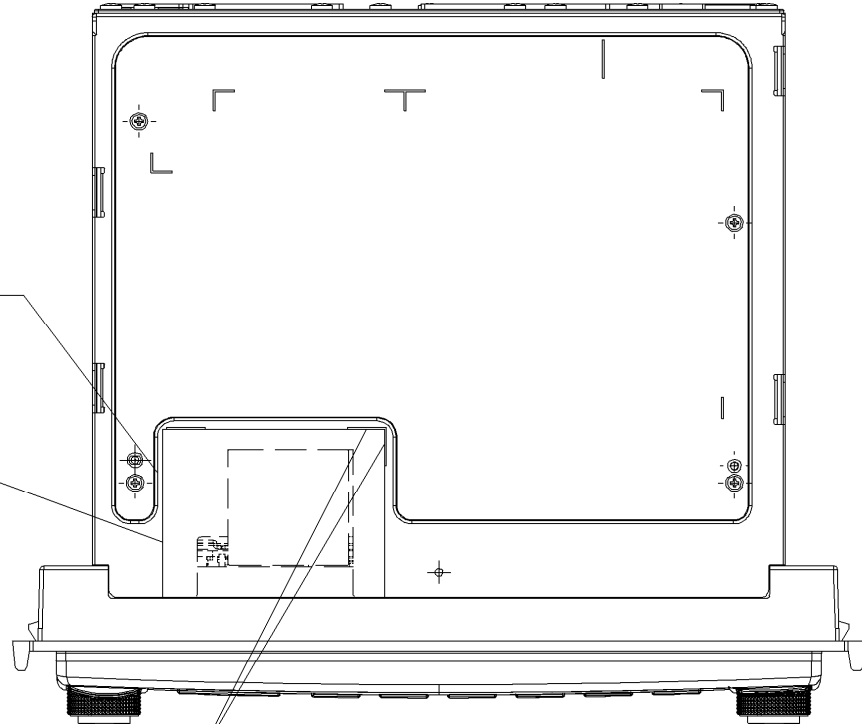


- (3) Install F-SHIELD-CASE-AS to Navigation unit
- (4) Install INNER-ESCUTCHEON-AS to Navigation unit
- (5) Install REAR-COVER-AS to Navigation unit
- (6) FPC cable connection between Navigation unit and 8400US-MONITOR-AS
- (7) Install 8400US-MONITOR-AS to Navigation unit
- (8) Pasting up of BT-COVER in Navigation unit

BT-COVER does not overlap the throttle portion.

BT-COVER

Pasting up standard

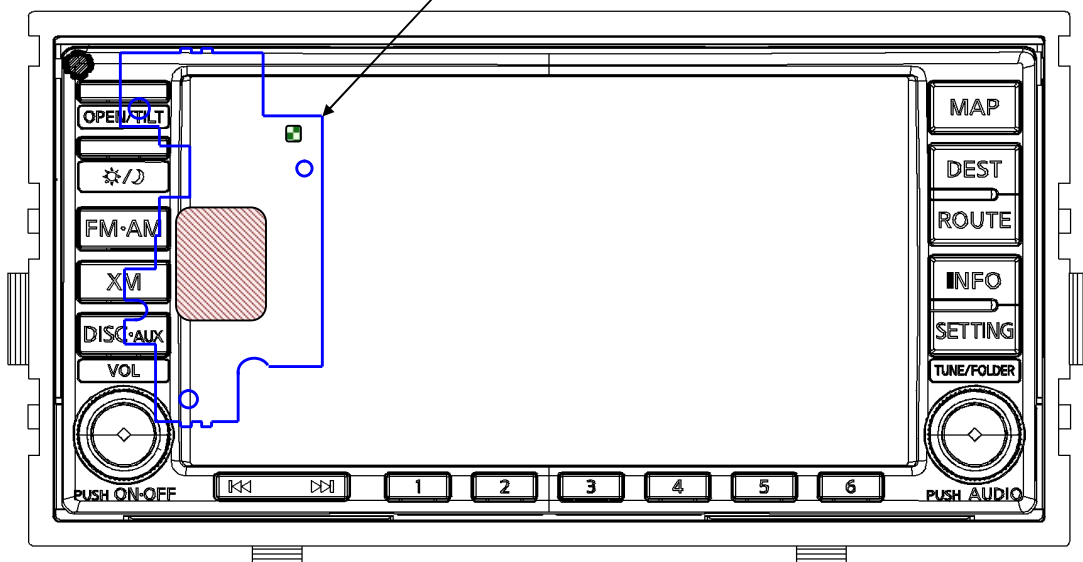


- 1) Pasting up of B-COVER in Navigation unit
- ※ Pasting up standard

Lengthwise direction : An end face of A  
 cross direction : Right and left are equal

- (9) Pasting up of Rating-label in Navigation unit
- (10) Pasting up of Connector-sheet in Navigation unit

UGZZ8-X01 Installation position





### 3. NOITCE

#### Avis

#### 3-1. General information

-Please note that this users manual should not be provided to end-users.

#### 3-2. FCC Regulatory Information

-This device complies with part 15 of the FCC Rules. Operation is subject to the following two conditions:

- (1) this device may not cause interference, and
- (2) this device must accept any interference, including interference that may cause undesired operation.

-The following sentence has to be displayed on the outside of the device in which the module is installed:  
"Contains Transmitter Module FCC ID: SJ20608136", or "Contains FCC ID: SJ20608136"

-Any changes or modifications not expressly approved by the party responsible for compliance could void the user's authority to operate the equipment.

-This equipment complies with FCC RF radiation exposure limits set for an controlled enviornment.

-The antenna used for this transmitter must not be co-located or operating in conjunction with any other antenna or transmitter.

#### 3-3. Canada Regulatory Information

-This device complies with Industry Canada licence-exempt RSS standards. Operation is subject to the following two conditions:

- (1) this device may not cause interference, and
- (2) this device must accept any interference, including interference that may cause undesired operation.

-Cet appareil est conforme avec Industrie Canada exempts de licence standard RSS (s).

L'utilisation de ce dispositif est autorisée seulement aux conditions suivantes:

- (1) il ne doit pas produire de brouillage et
- (2) l'utilisateur du dispositif doit être prêt à accepter tout brouillage radioélectrique reçu, même si ce brouillage est susceptible de compromettre le fonctionnement du dispositif.

-The following sentence has to be displayed on the outside of the device in which the module is installed:  
"Contains Transmitter Module IC: 419C-0608136" or "Contains IC: 419C-0608136"

-La phrase suivante doit être affiché à l'extérieur de l'appareil dans lequel le module est installé:

"Contient Module émetteur IC: 419C-0608136" ou "Contient IC: 419C-0608136"

-This equipment complies with FCC RF radiation exposure limits set for an controlled environment.

-Cet équipement est conforme aux limites d'exposition aux rayonnements RF de la FCC établies pour un enviornment contrôlée.