

# INSTRUCTION MANUAL OF UGZZ8-X02

## 1. BLUETOOTH MODULE SPECIFICATION

### 1-1. PRODUCT NAME

UGZZ8-X02

### 1-2. MANUFACTURER

ALPS ELECTRIC

### 1-3. FEATURES

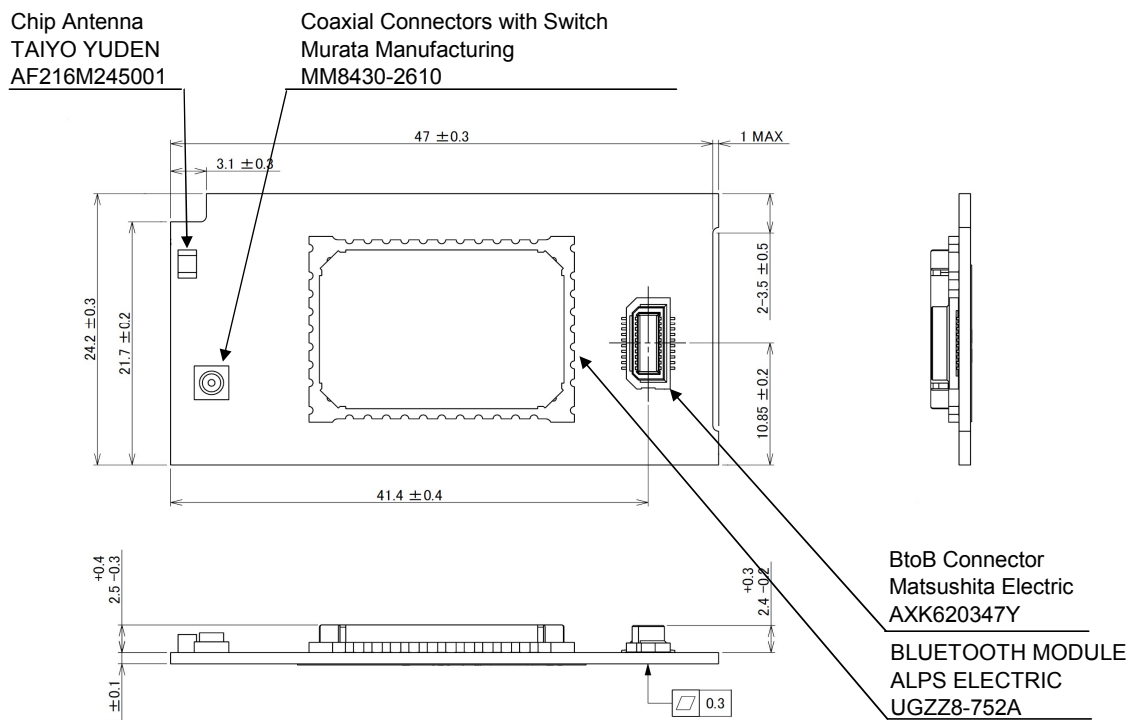
- Bluetooth™ Specification V2.0+EDR support
- Complete type of Bluetooth module, built-in various profile
- Built-in Link controller, Link Manager Protocol
- Output Power class2 compliant
- Type with a chip antenna
- Full custom package with pwb can be fit to only navigation products made by Clarion
- Built-in Flash memory(16Mbit), system clock 26MHz(OSC)
- B to B connector interface

### 1-4. SPECIFICATION

#### 1-4-1. MECHANICAL SPECIFICATION

##### 1-4-1-1. EXTERNAL DIMENSIONS

Refer to the following page.



##### 1-4-1-2. MASS

4.86 [g]

#### 1-4-2. ELECTRIC SPECIFICATION

##### 1-4-2-1. POWER-SUPPLY-VOLTAGE

DC +3.1 to +3.6 [V]

##### 1-4-2-2. TEMPERATURE RANGE

-40 to +85 [degree C]

#### 1-4-3. RF SPECIFICATION

##### 1-4-3-1. NORMAL TRANSMIT POWER(AVERAGED POWER)

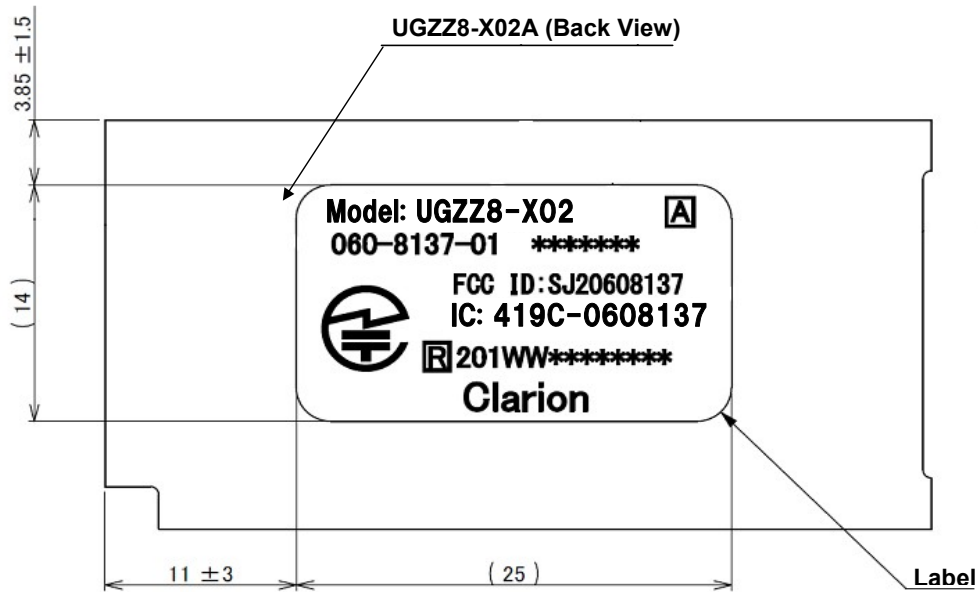
-6 to +4 [dBm]

##### 1-4-3-2. REFERENCE SENSITIVITY LEVEL(BER=0.001%)

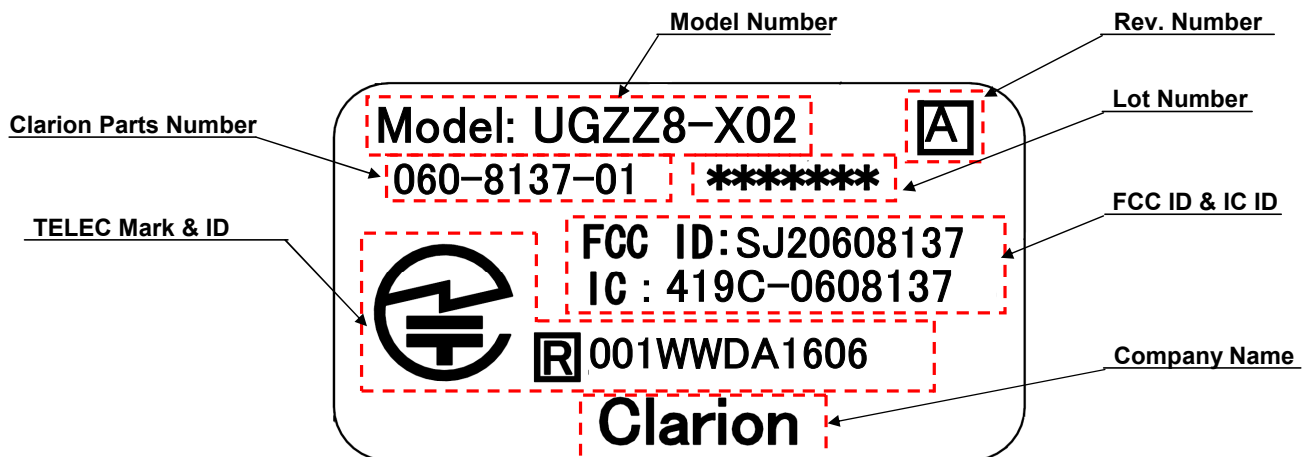
MAX. -70 [dBm]

1-5. LABEL INFORMATION

1-5-1. LABEL LAYOUT

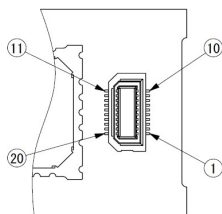


1-5-2. CONTENTS OF LABEL



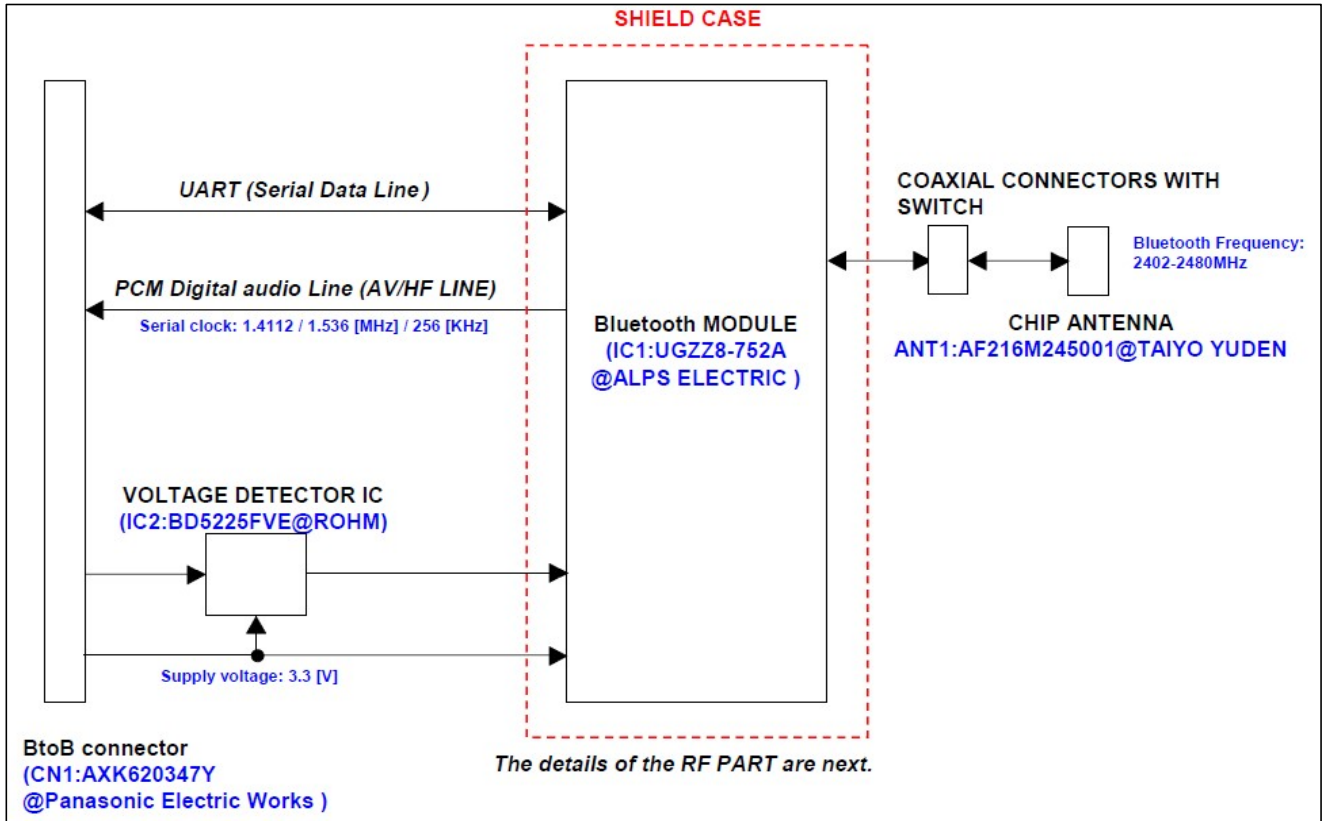
1-6. CONNECTOR PIN ASSIGNMENT

BtoB Connector terminal NO.



NO.	PIN NAME	NO.	DESCRIPTION
1	VCC	I	Power Supply 3.3V
2	GND	-	Ground
3	PIO[0] (PTB1)	O	AV Master Clock Select(44.1kHz=Low, 48kHz=High)
4	PIO[1] (PTE0)	O	PCM_Reset(Active Low), DAC PwrDown(PwrDown Enable=Low)
5	PDN	O	HF/AV Status signal
6	PCM_SYNC	O	Audio Frame signal
7	PCM_OUT	O	AV/HF Output
8	GND	-	Ground
9	UART_RTS	O	UART_RTS
10	UART_CTS	I	UART_CTS
11	UART_RX	I	UART_RX
12	UART_TX	O	UART_TX
13	PCM_CLK	O	Audio Clock
14	PCM_IN	I	AV/HF Input
15	NC	I	NC
16	NC	I	NC
17	NC	I	NC
18	PIO[2] (PTE5)	O	PCM_Mute
19	RST#	I	Reset(Active Low)
20	VCC	I	Power Supply 3.3V

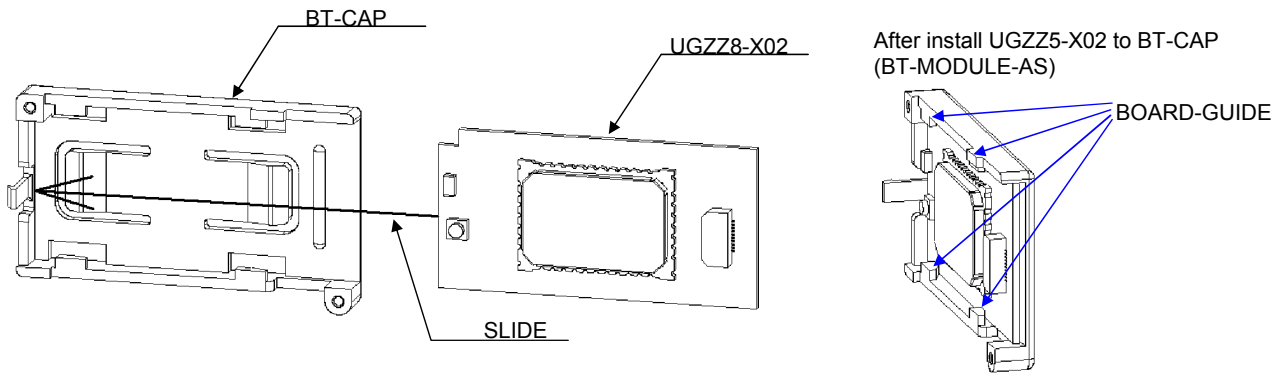
1-7. BLOCK DIAGRAM



2. PROCEDURE TO BUILD IN

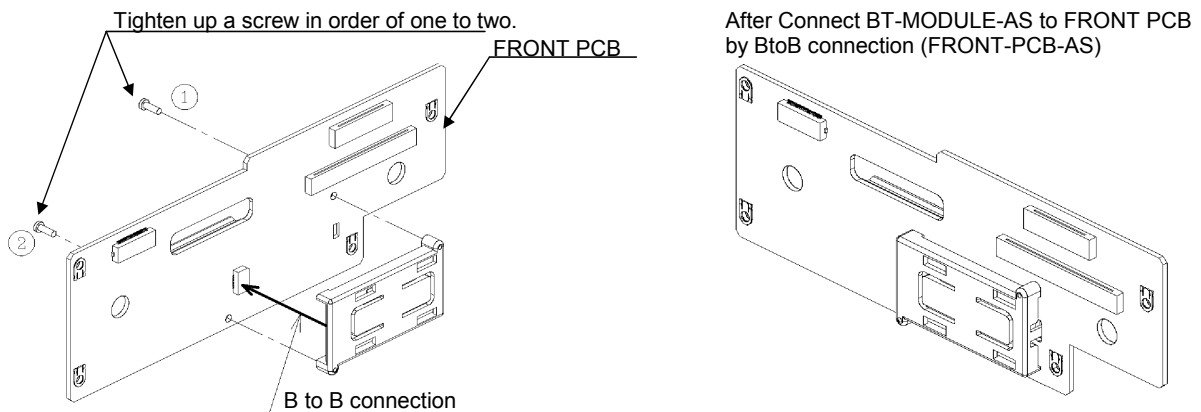
2-1. PROCEDURE FOR UGZZ5-X02

(1)Install UGZZ8-X02 to BT-CAP

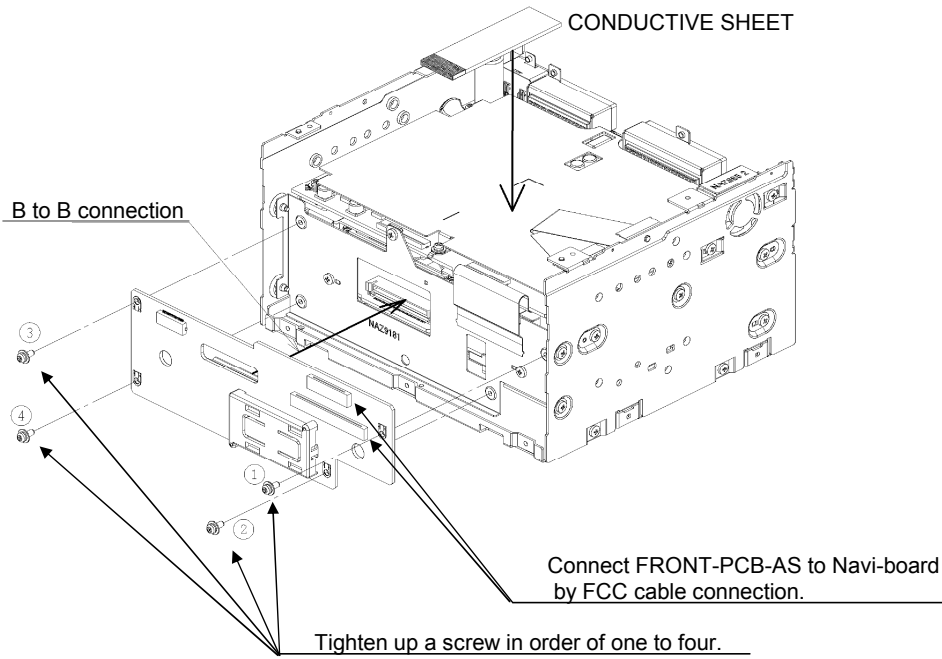


Slide to 4 points of Board-guide, and sandwich the module.

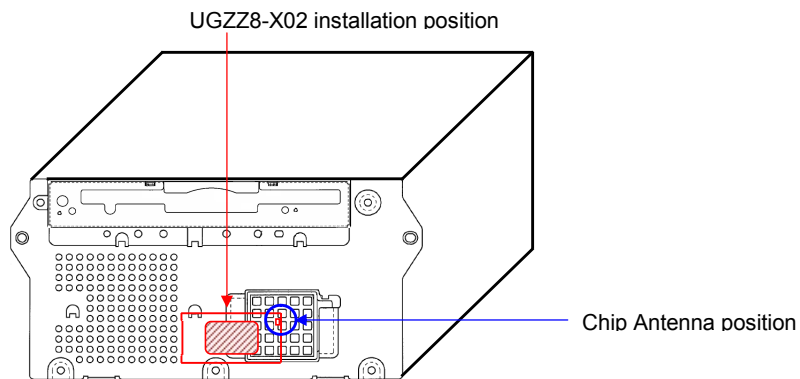
(2)Connect BT-MODULE-AS to FRONT PCB by BtoB connection



(3) Install FRONT-PCB-AS to Navigation-unit



- (4) Install DVD-AS to Navigation-unit
- (5) Install UPPER-COVER to Navigation-unit
- (6) Install FRONT-COVER to Navigation-unit
- (7) Install REAR-COVER to Navigation-unit



### **3. NOITCE**

**-Operation is subject to the following two conditions:**

**(1) this device may not cause interference, and**

**(2) this device must accept any interference, including interference that may cause undesired operation of the device.**

**-Any changes or modifications not expressly approved by the party responsible for compliance could void the user's authority to operate the equipment.**

**-Please note that this users manual should not be provided to end-users.**

**-The following sentence has to be displayed on the outside of the device in which the module is installed:**

**"Contains Transmitter Module FCC ID: SJ20608137", or "Contains FCC ID: SJ20608137"**

**-This equipment complies with FCC RF radiation exposure limits set for an controlled enviornment.**

**-The antenna used for this transmitter must not be co-located or operating in conjunction with any other antenna or transmitter.**