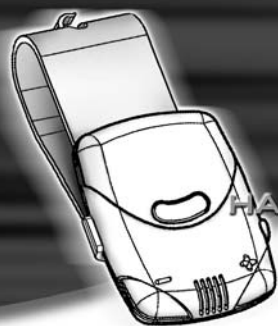


ENGLISH



CM-HS1

HANDSFREE OWNERS MANUAL

clarion
LETS START ▶

Note: Please check for the correct accessory before attempting to install CM-HS1 in your car. Please refer to Writing Diagram section for more details.

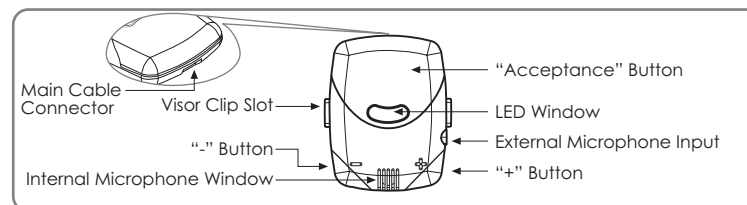
What is CM-HS1?

CM-HS1 is an In-Car hands free module offering a high-quality Bluetooth™ wireless communication solution for in-vehicles environment. The unit works with any Bluetooth™ mobile telephone supporting headset profile version 1.0B/1.1.

After initial setup, Bluetooth™ connection between handphone and CM-HS1 is automatically established when the ignition is switched on **. Incoming calls are accepted by pressing the acceptance button. Muting the car stereo automatically, telephone sound is routed through car speaker.

** Depending on telephone features

Getting started



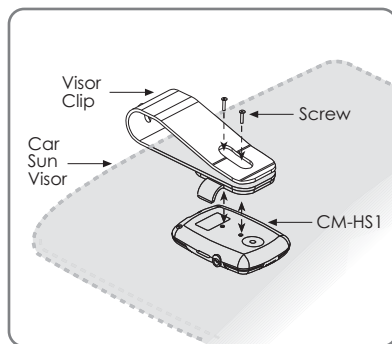
CM-HS1 HANDSFREE OWNERS MANUAL

clarion

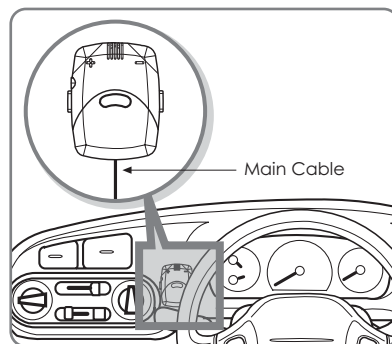
Installing CM-HS1

It is important that CM-HS1 is installed with the internal microphone facing towards the user (driver). Use the Visor Clip (included) to fix CM-HS1 to the car sun visor, and route the main cable properly. Use the special screw given to tighten CM HS1 to the Visor Clip if necessary. If installing CM-HS1 anywhere else, care must be taken so as not to damage the connector on the unit. Test for the microphone strength during normal conversation and adjust the location accordingly.

Fix CM-HS1 To The Car Sun Visor



Fix CM-HS1 To The Dashboard



Do not install CM-HS1 on or near air conditioner duct to avoid condensation. Condensation will result in some electronic component to malfunction, damaging the unit. Also, avoid installing the unit directly in the path of front speaker of the car stereo (voice route) to minimize echo.

Pairing CM-HS1

Before you start using CM-HS1 for the first time, you must pair it to your handphone. Pairing activities differ from phone to phone. Please refer to handphone user documentation for pairing, and follow the steps below:

1. Power on CM-HS1 by powering the car stereo unit. A Blue LED is lighted to indicate power.
2. Simultaneously press the "+" and "-" buttons on CM-HS1. Blue and Red LEDs will blink to indicate readiness for pairing.
3. Initiate Bluetooth pairing in the handphone to pair it with CM-HS1. To do this, please refer to the user documentation for the handphone.
4. The default name is "CM-HS1".
5. When asked, the passkey is **0000**. If pairing is successful, CM-HS1 will stop blinking, and only the Blue LED is lighted again.
6. During usage (talking on the phone), both Blue and Red LEDs will be lighted (not blinking).

CM-HS1 HANDSFREE OWNERS MANUAL

clarion

CM-HS1 HANDSFREE OWNERS MANUAL

clarion

Adjusting the Listening Volume

You can adjust the speaker output volume during a call through CM-HS1.

- To increase the volume, press the "+" button.
- To decrease the volume, press the "-" button.

Note: Use the "+" and "-" button to adjust volume, not the car stereo volume, to maximize echo cancellis circuit effectiveness.

Receiving / Rejecting Calls

Power on the car stereo. The unit works either when ACC on, or when the car stereo is turn on (please refer to Installation Guide for reference) to enable sound to be transferred to the speaker. Press the "acceptance" button on CM-HS1 to receive a call. You can end a call by pressing the same button, or reject a call by pressing the same button twice.

Voice Dialing

Some phone allows for voice dialing through CM-HS1. To do so, activate voice-dialing feature in the handphone (consult your handphone documentation). Press the "acceptance" button to initiate voice dialing, and listen for the tone before starting. Say the voice tag name directly to CM-HS1.

Important Notes

Features vary according to phone makes and models. Some phone allows the user to transfer voice to CM-HS1, or to the phone for personal conversation. Some phone reconnects directly to CM-HS1 every time you enter the car and start the engine. Please check for handphone features to make full use of CM-HS1 capability.

Features

Transfer standard	Bluetooth™ 1.0B/1.1, conforms to profile
Frequency range	2.402–2.495 GHz, ISM band, license-free
Radio channels	Fast frequency hopping, 79 channels, 1600 frequency changes/second
Range	Sending performance 0 dBm (Class 3)~approximately 10m
Sensitivity	-80 dBm
Profile	Headset profile
Interface	Main connector to car audio (Shielded 5 core cable).
Power supply	5~6V
Operating temperature	-20C – 80C
Storage temperature	-40C – 105C
Telephony operation	Noise reduction, echo cancellation, full duplex telephony
Dimensions	Approx. 67 x 51 x 14mm
Weight	Approx. 22 grams
Status display	LEDs for display of the connection mode
Package contents	External microphone, control unit (Volume up/down, answer call button), interface box, Installation Guide, documentation

System requirements	Mobile phone with Bluetooth™-supporting headset profile
Approvals	In accordance with the technical requirements of R&TTE for all EU countries and Switzerland

Wiring Diagram

1. Please refer to the diagram given for the correct wiring of CM-HS1. Incorrect wiring might damage the unit, your car stereo, or even your car. Please consult a professional.
2. Check the features of the car stereo before installation. It is important to know the car stereo features, in order to choose the correct accessories.

EC Declaration of Conformity

We: **Clarion (M) SDN BHD**
Phase 3, FTZ
11900 Bayan Lepas
Penang, Malaysia.

declare under our sole responsibility that the following Product(s)

MODEL: Bluetooth Car Hands free Kit
Part No(s): CM-HS1

is (are) in conformity with the following relevant harmonised standards:

EN 300328-2 (2001-12) - Electromagnetic compatibility and radio spectrum matters (ERM); Wideband Transmission systems operation in the 2.4GHz ISM band, Part 2 Essential requirements under Article 3.2 of the RTTE directive.

EN301489-3 (2001-11) - Electromagnetic compatibility and radio spectrum (ERM); EMC Standard for radio Equipment and services, Part 3 specific conditions for SRDs operating on frequencies between 9kHz and 40GHz.

EN60950: 2000 - Information technology equipment Safety Part 1 General requirements.

Following the provisions of Council Directive 1999/5/EC on radio equipment and telecommunications terminal equipment and the mutual recognition of their conformity.

Signature:  Date: 1/11/2002

Name: T. Nakazaki Position: R&D Director

On behalf of Clarion Malaysia